



US00D780720S

(12) **United States Design Patent**  
**Belanger**

(10) **Patent No.:** **US D780,720 S**

(45) **Date of Patent:** **\*\* Mar. 7, 2017**

(54) **SPEAKER MOTOR**

(71) Applicant: **Sean Belanger**, Spartanburg, SC (US)

(72) Inventor: **Sean Belanger**, Spartanburg, SC (US)

(\*\*) Term: **15 Years**

(21) Appl. No.: **29/536,919**

(22) Filed: **Aug. 20, 2015**

(51) **LOC (10) Cl.** ..... **14-01**

(52) **U.S. Cl.**

USPC ..... **D14/222**; D14/214

(58) **Field of Classification Search**

USPC ..... D14/221, 204, 209, 209.1, 210, 211,  
D14/212-216, 222, 224, 224.1; D13/184,  
D13/112, 119, 122; D15/199;  
181/143-144, 147-148, 150-153, 157,  
181/198-199; 381/300-303, 332-333,  
381/336, 345, 361-364, 386-388, 340,  
381/392

CPC . H04R 25/00; H04R 1/02; H04R 5/00; H04R  
1/00; H04R 1/26; H04R 9/02; H04R  
9/06; A47B 81/06; H02K 15/00; H02K  
5/02; H02K 5/04; H02K 15/14

See application file for complete search history.

(56) **References Cited**

**U.S. PATENT DOCUMENTS**

D52,293 S \* 8/1918 Waring ..... D13/112  
1,837,755 A \* 12/1931 Carlisle ..... H04R 1/2888  
181/151  
D174,148 S \* 3/1955 van Rijn ..... D13/112  
2,858,377 A \* 10/1958 Levy ..... H04R 1/30  
181/159  
3,059,720 A \* 10/1962 Matsuoka ..... H04R 1/345  
181/151

D194,910 S \* 4/1963 Rutledge et al. .... D13/112  
3,105,569 A \* 10/1963 Evans ..... H04R 1/26  
181/144  
3,483,945 A \* 12/1969 Michael ..... H04R 1/323  
181/143  
D220,268 S \* 3/1971 Kliewer ..... D14/496  
D230,194 S \* 1/1974 Buckler ..... D14/197  
D242,259 S \* 11/1976 Babb ..... D14/214  
4,164,988 A \* 8/1979 Virva ..... H04R 1/2857  
181/153  
D282,163 S \* 1/1986 Seebinger ..... D14/222  
5,847,331 A \* 12/1998 Vollmer ..... H04R 1/345  
181/147  
D409,202 S \* 5/1999 Sone ..... D10/116.1  
D511,340 S \* 11/2005 Mah ..... D14/222  
D521,978 S \* 5/2006 Morita ..... D14/211  
D521,982 S \* 5/2006 Schafernak ..... D14/216

(Continued)

*Primary Examiner* — Paula Greene

(74) *Attorney, Agent, or Firm* — Steinberg Intellectual  
Property Law LLC; Gloria M. Steinberg, Esq.

(57) **CLAIM**

The ornamental design for a speaker motor, as shown and  
described.

**DESCRIPTION**

FIG. 1 is a perspective view of a speaker motor of the  
present invention, the opposite perspective view being a  
mirror image thereof;

FIG. 2 is a front side elevational view thereof, the rear side  
view, the left side view, and the right side view being mirror  
images thereof;

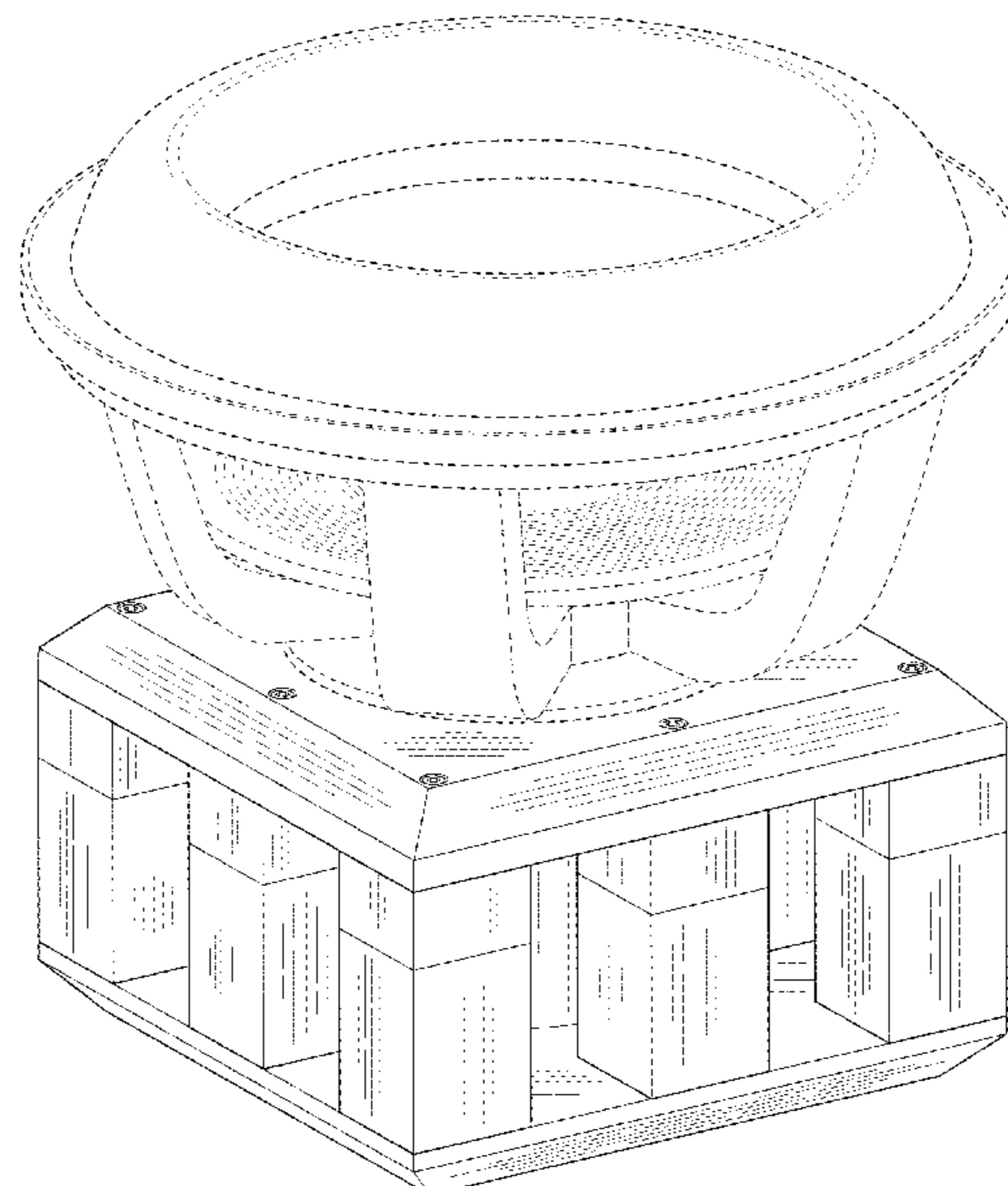
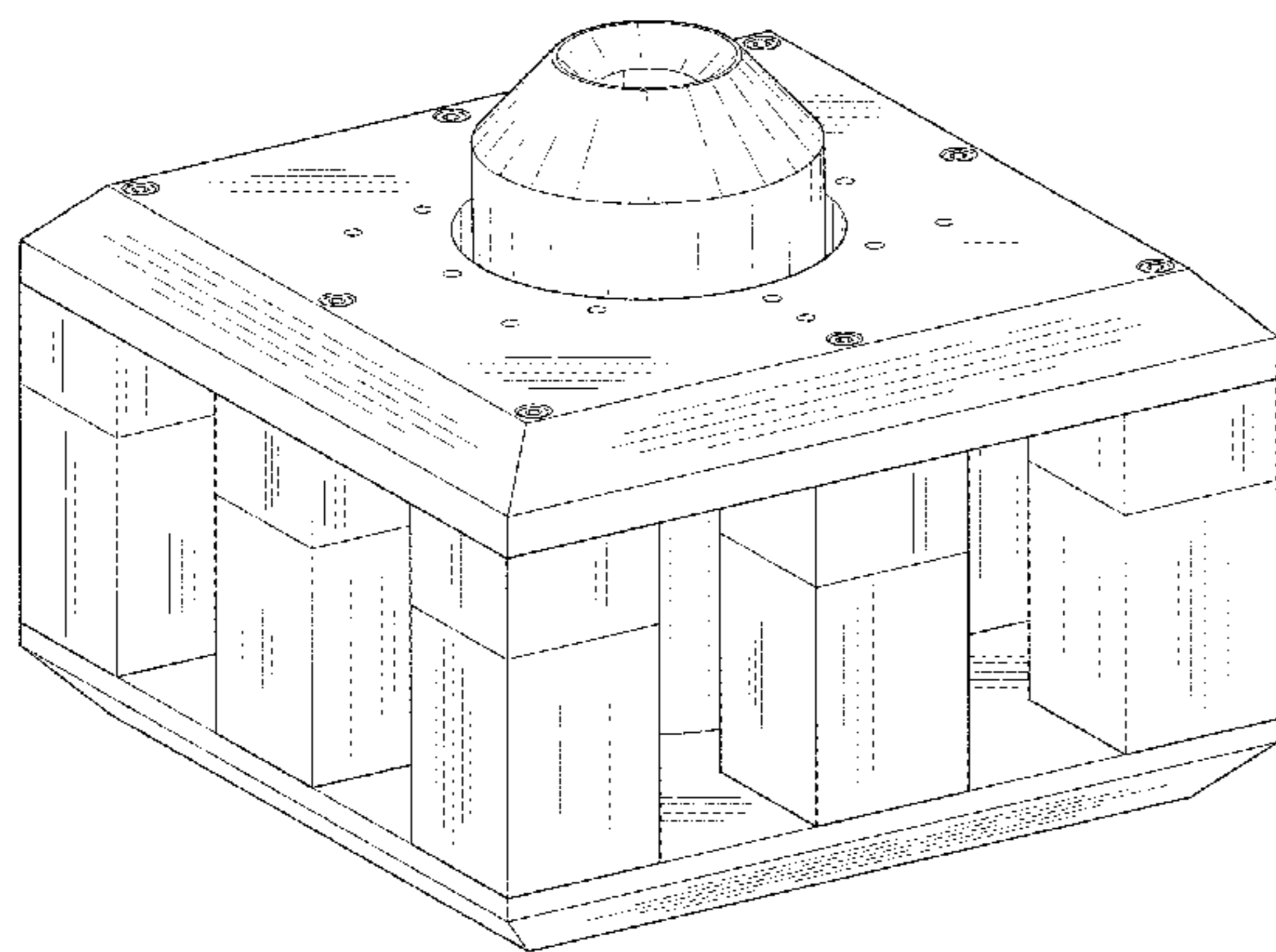
FIG. 3 is a top elevational view thereof;

FIG. 4 is a bottom elevational view thereof; and,

FIG. 5 is a perspective view of thereof in operation.

The broken lines in the figures show unclaimed subject  
matter only and form no part of the claimed design.

**1 Claim, 5 Drawing Sheets**



(56)

**References Cited**

U.S. PATENT DOCUMENTS

D626,565	S	*	11/2010	Kim	.....	D14/500
D646,665	S	*	10/2011	Iijima	.....	D14/214
D657,343	S	*	4/2012	Cho	.....	D14/188
D659,681	S	*	5/2012	Suzuki	.....	D14/221
D684,560	S	*	6/2013	Lee	.....	D14/209.1
D690,280	S	*	9/2013	Schul	.....	D14/168
D691,983	S	*	10/2013	Vaughan	.....	D14/172
D693,794	S	*	11/2013	Nauroy	.....	D14/214
D697,053	S	*	1/2014	Brickstad	.....	D14/215
D754,628	S	*	4/2016	Baird	.....	D14/204
D755,160	S	*	5/2016	Ponce	.....	D14/214
D758,345	S	*	6/2016	Fujioka	.....	D14/214
D763,825	S	*	8/2016	Zamir	.....	D14/215
D767,533	S	*	9/2016	Mchatet	.....	D14/214

\* cited by examiner

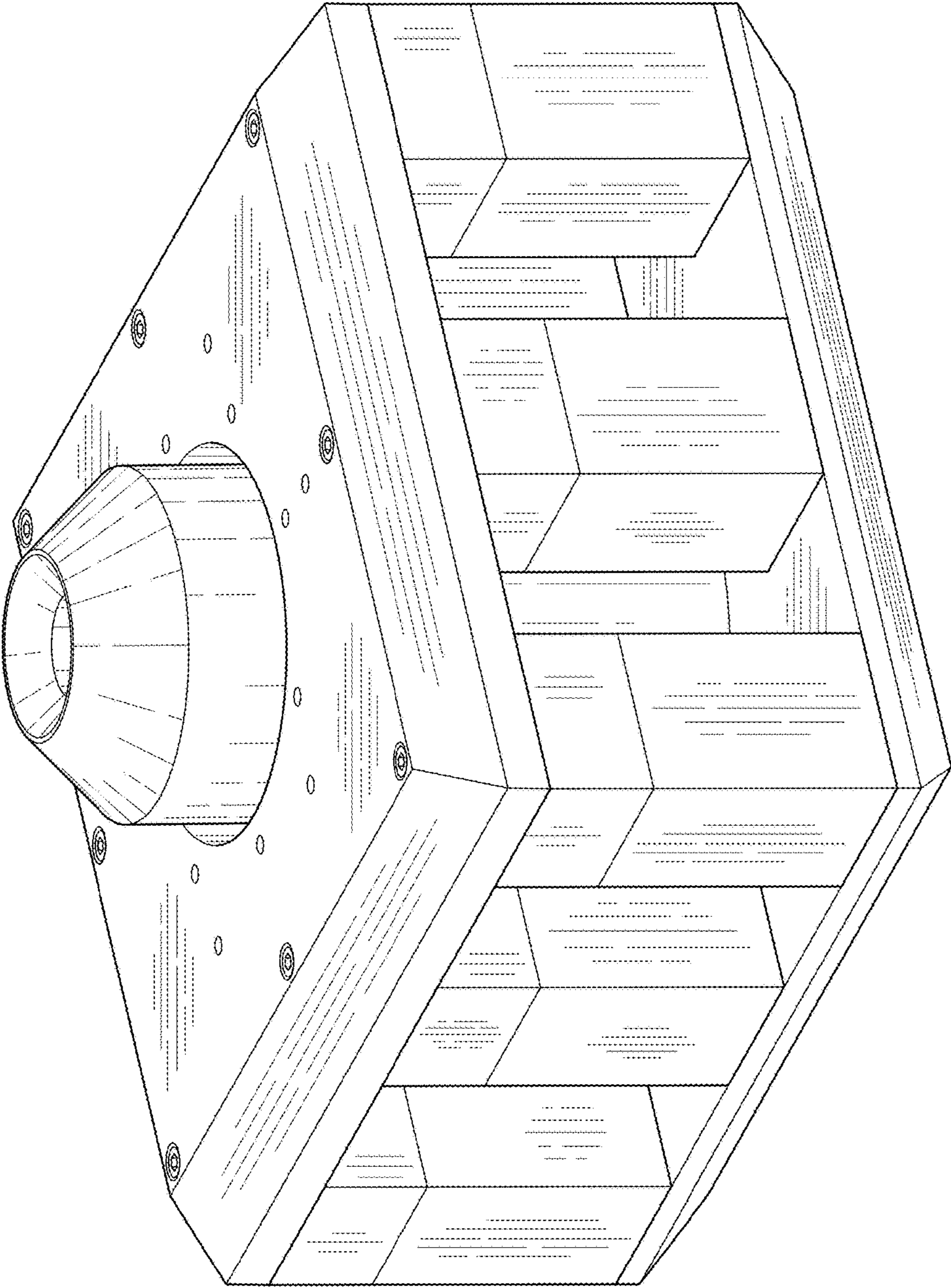


FIG. 1

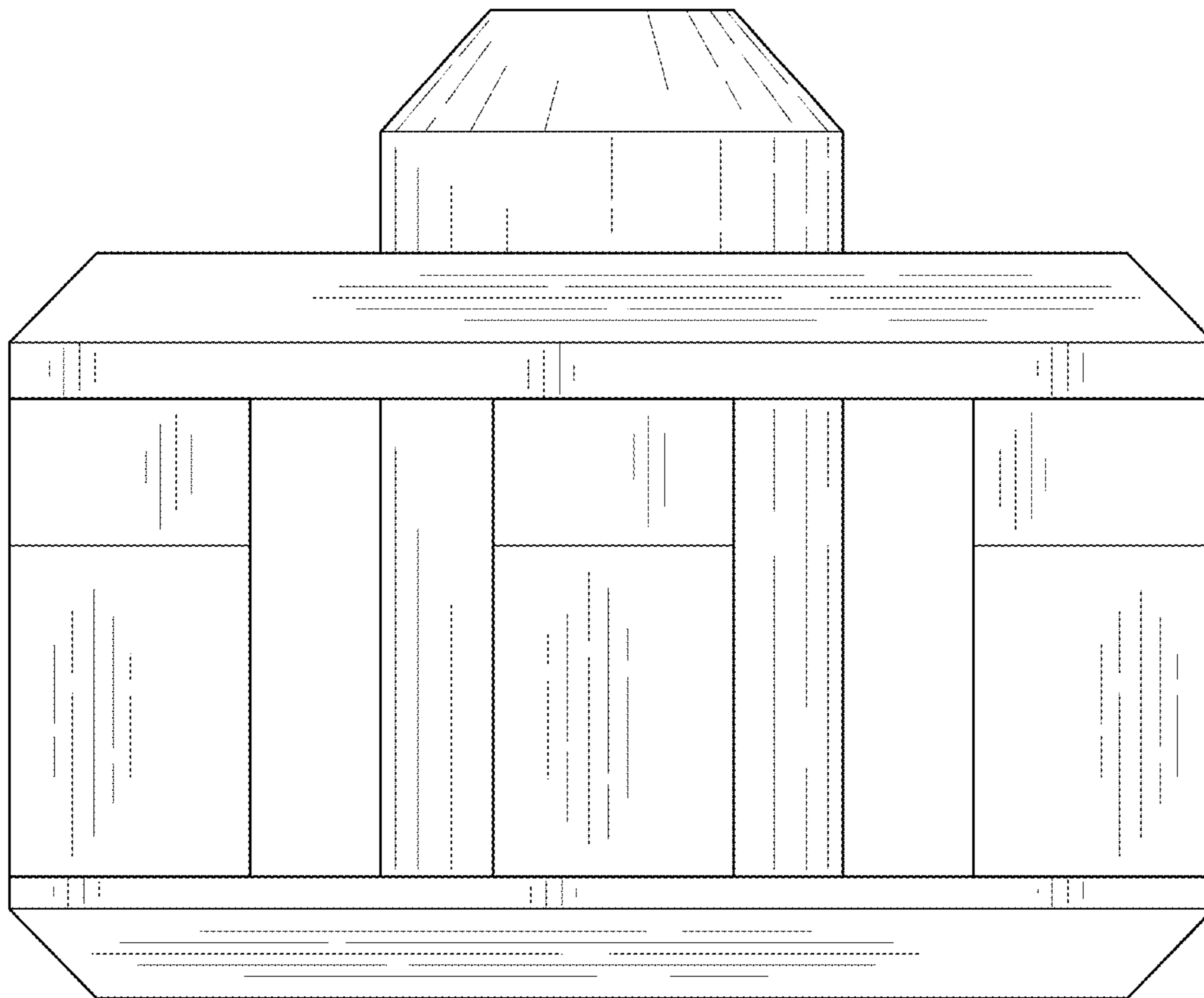


FIG. 2



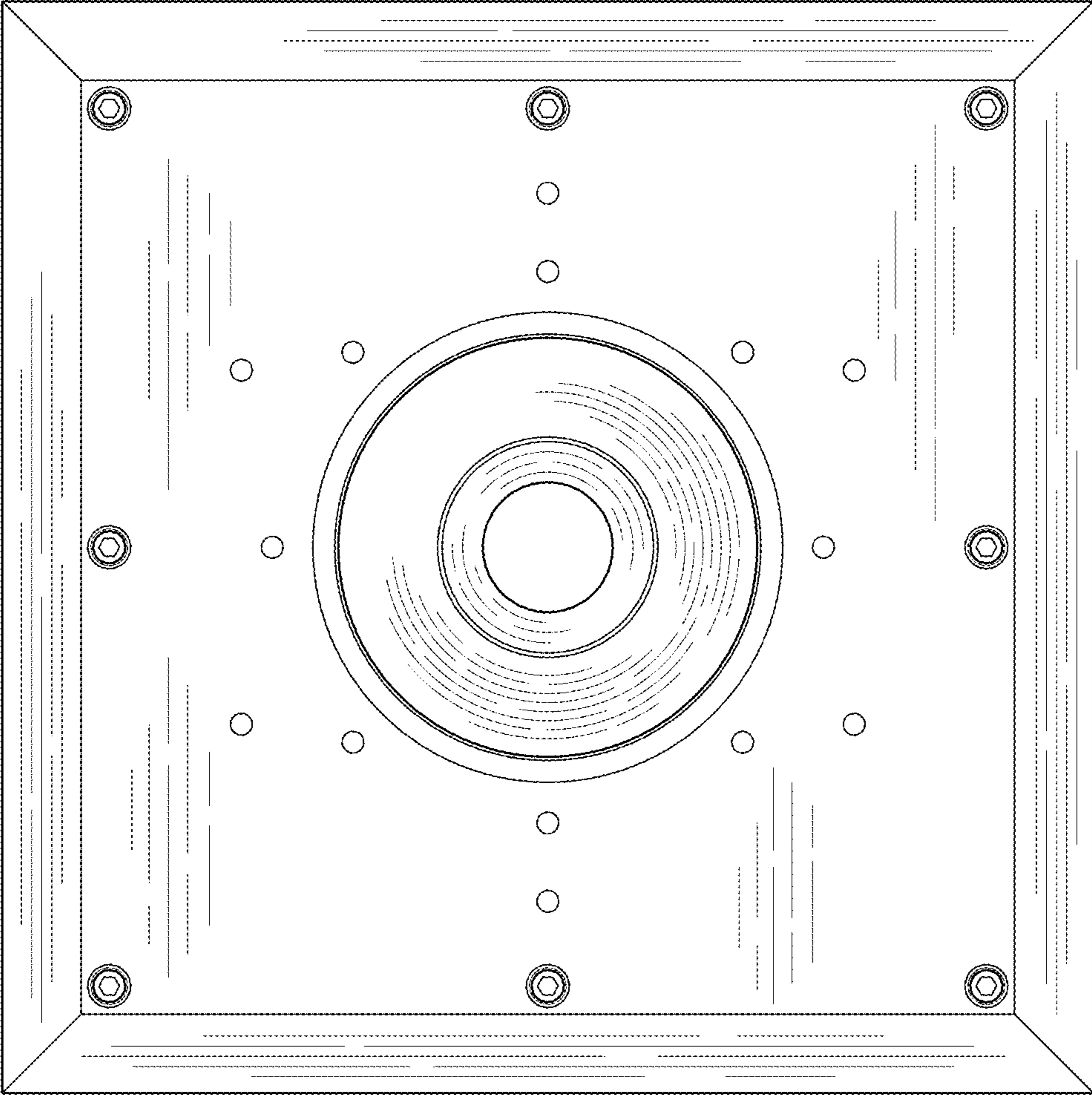


FIG. 3

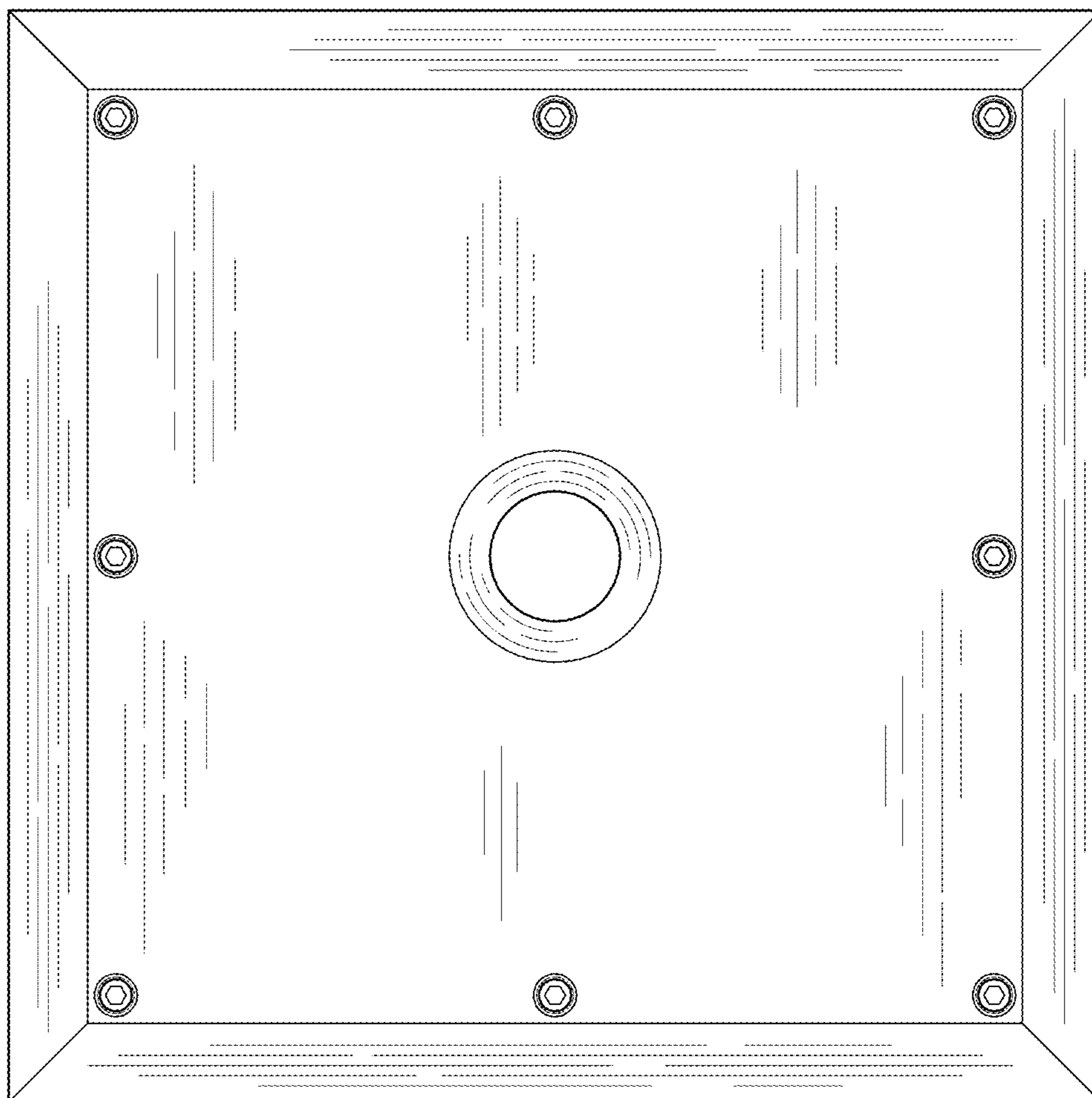


FIG. 4

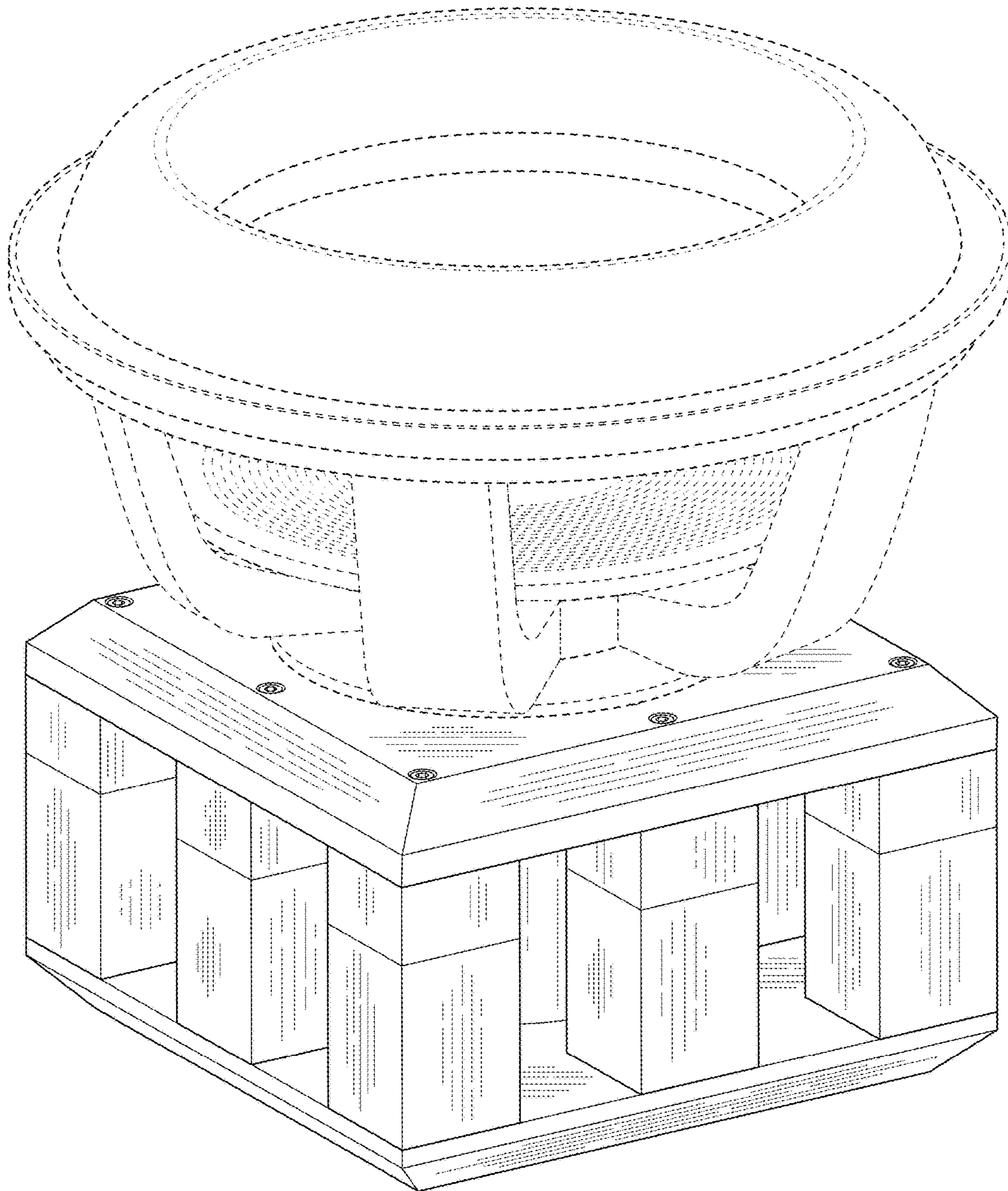


FIG. 5