



US00D780717S

(12) **United States Design Patent** (10) **Patent No.:** **US D780,717 S**
Diaz (45) **Date of Patent:** **** *Mar. 7, 2017**

(54) **SPEAKER**
(71) Applicant: **Jose Manuel Diaz**, Baldwin, NY (US)
(72) Inventor: **Jose Manuel Diaz**, Baldwin, NY (US)
(*) Notice: This patent is subject to a terminal disclaimer.
(**) Term: **14 Years**
(21) Appl. No.: **29/497,726**
(22) Filed: **Jul. 28, 2014**
(51) **LOC (10) Cl.** **14-03**
(52) **U.S. Cl.**
USPC **D14/216**
(58) **Field of Classification Search**
USPC D14/167, 168, 170-172, 188, 194-196, D14/204, 207, 209.1, 210-216, 219, 221, D14/222, 224, 496; 181/143, 144, 147, 181/148, 150, 153, 157, 198, 199; 381/300-303, 306, 332, 333, 336, 345, 381/361-364, 386-388; 369/6-12
CPC B60R 11/0217; G06F 1/1688; H04M 1/03; H04M 1/035; H04R 1/02; H04R 1/06; H04R 1/021; H04R 1/025; H04R 1/026; H04R 1/028; H04R 1/105; H04R 1/323; H04R 1/403; H04R 1/2803; H04R 1/2834; H04R 5/02; H04R 7/20; H04R 9/06; H04R 9/025; H04R 2201/021; H04R 2400/00; H04R 2400/07; H04R

2499/11; H04R 2499/13; H04R 2499/15; H04S 3/00; H04S 7/30

See application file for complete search history.

(56) **References Cited**

U.S. PATENT DOCUMENTS

D577,009 S *	9/2008	Wilson et al.	D14/225
D615,068 S *	5/2010	Yuasa et al.	D14/216
D615,964 S *	5/2010	Chen	D14/216
D643,022 S *	8/2011	Hou	D14/216
D652,023 S *	1/2012	Chen	D14/216
D658,161 S *	4/2012	Chen	D14/216
D658,633 S *	5/2012	Chen	D14/216
D702,212 S *	4/2014	Okazaki et al.	D14/216

* cited by examiner

Primary Examiner — Keli L Hill

(74) *Attorney, Agent, or Firm* — Deanne Barrow

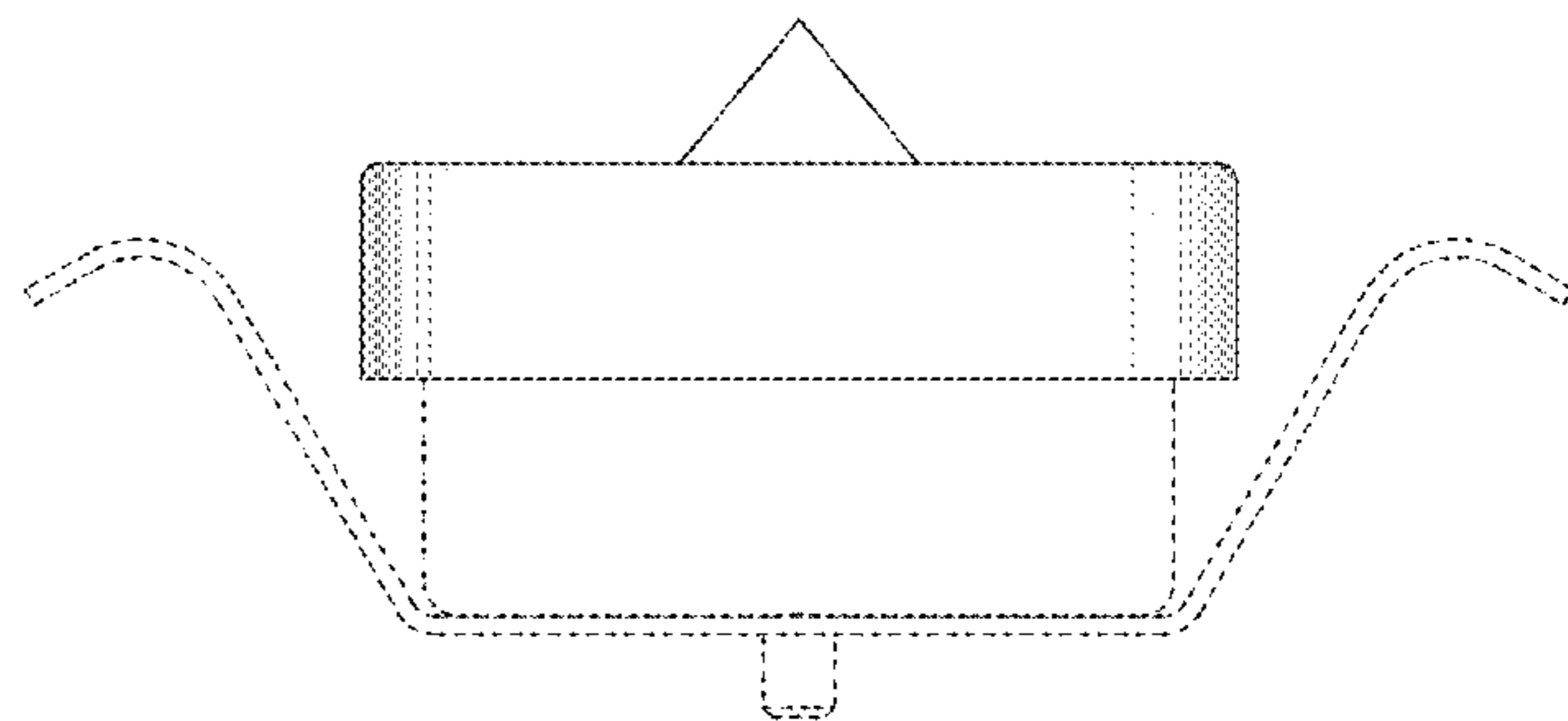
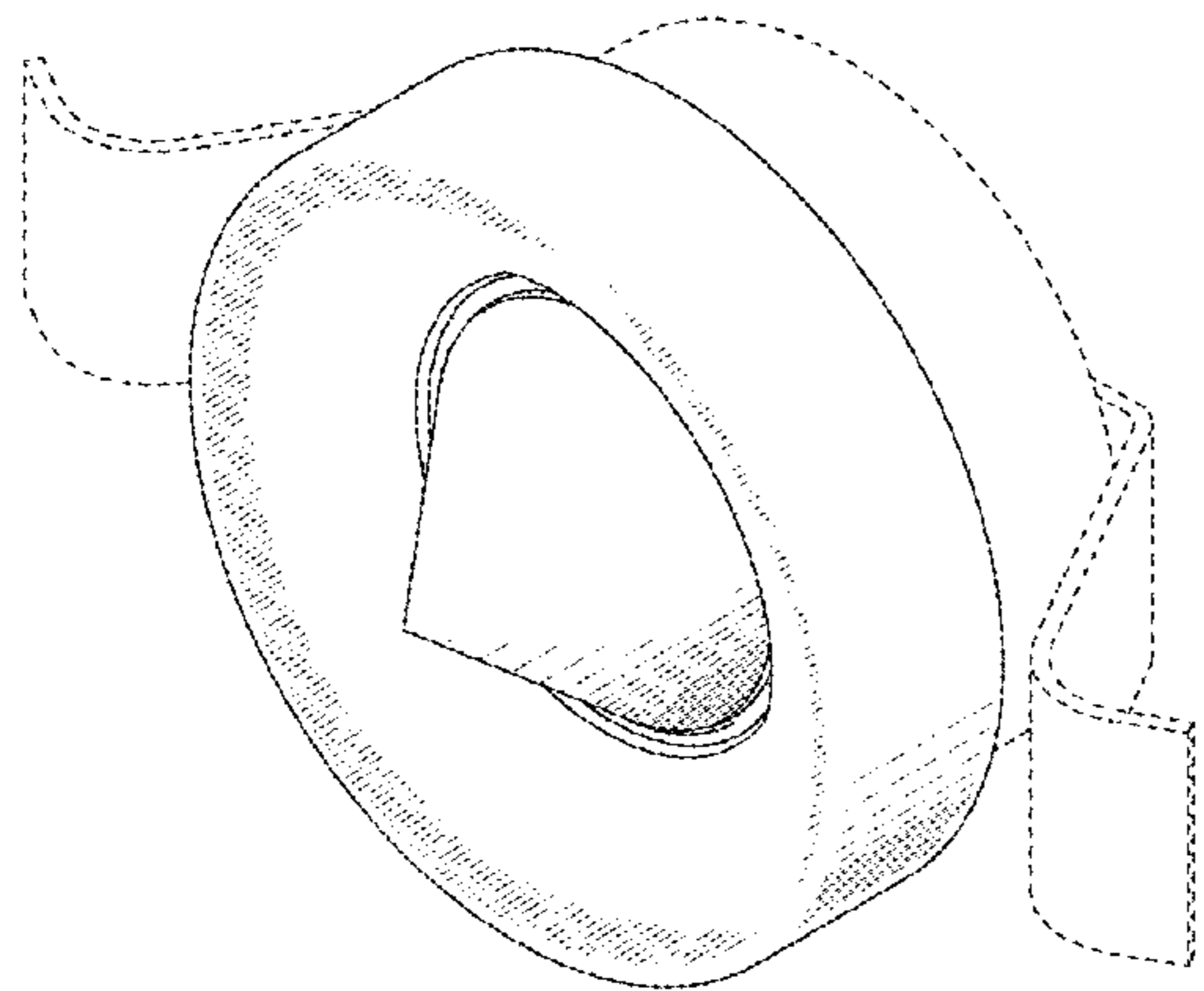
(57) **CLAIM**

The ornamental design for a speaker, as shown and described.

DESCRIPTION

FIG. 1 is a perspective view of a speaker of my new design; FIG. 2 is a side elevation view thereof; FIG. 3 is a top plan view thereof; and, FIG. 4 is a bottom plan view thereof. Portions in broken lines are for illustrative purpose only and form no part of the claimed design.

1 Claim, 2 Drawing Sheets



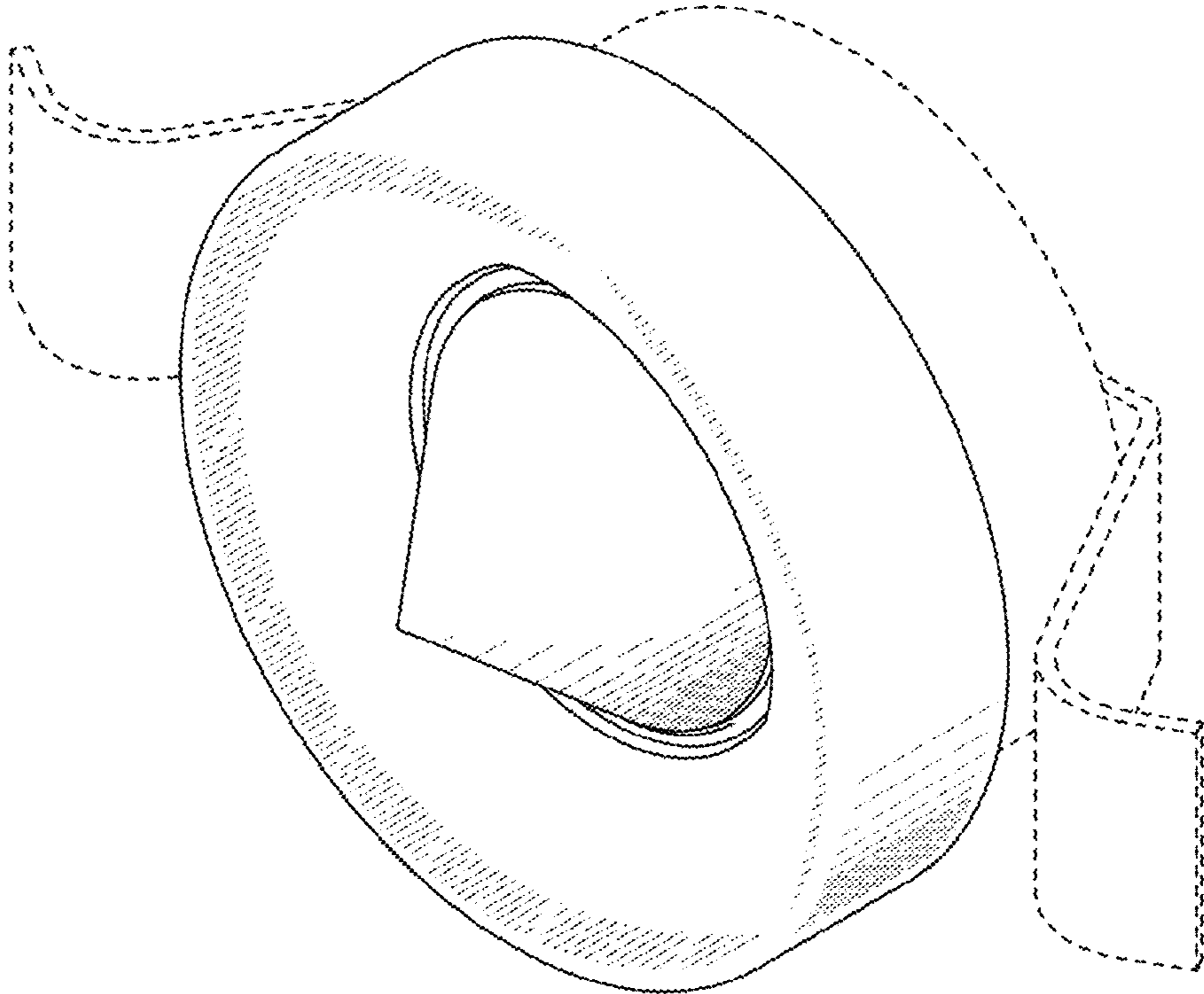


FIG 1

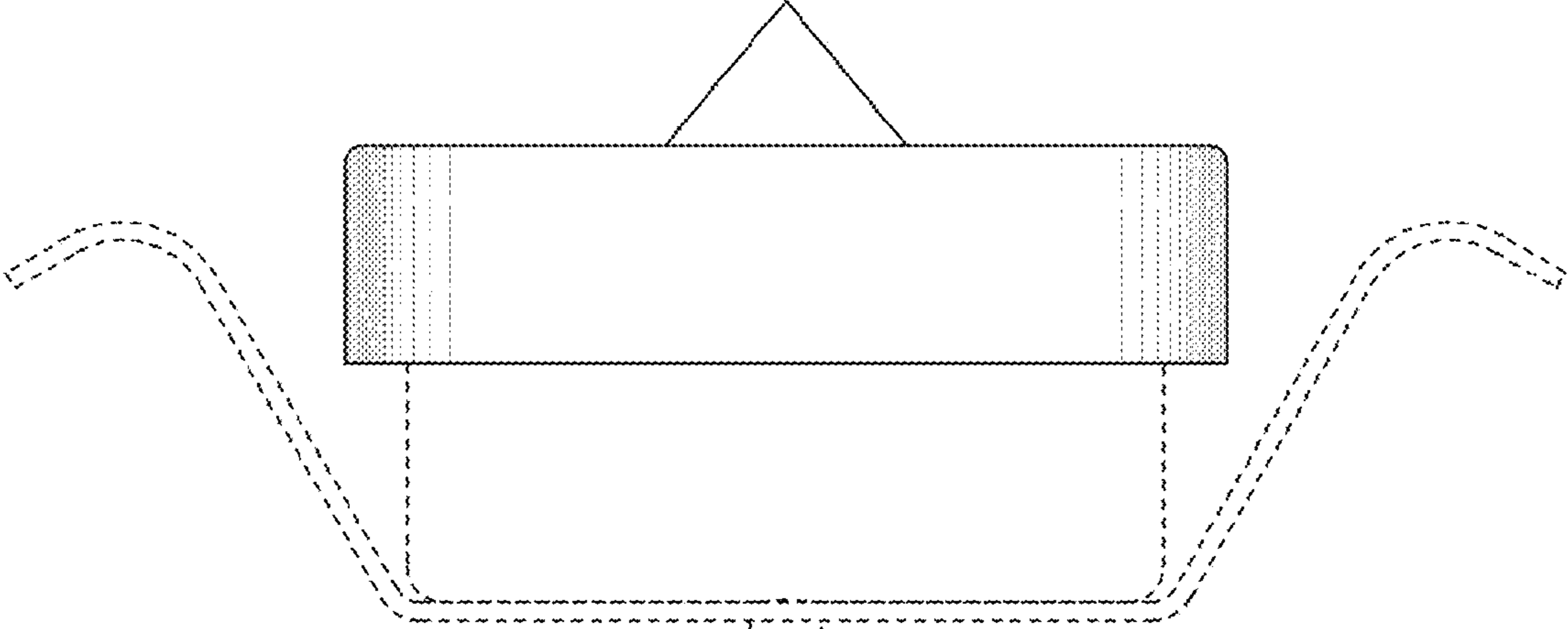


FIG 2

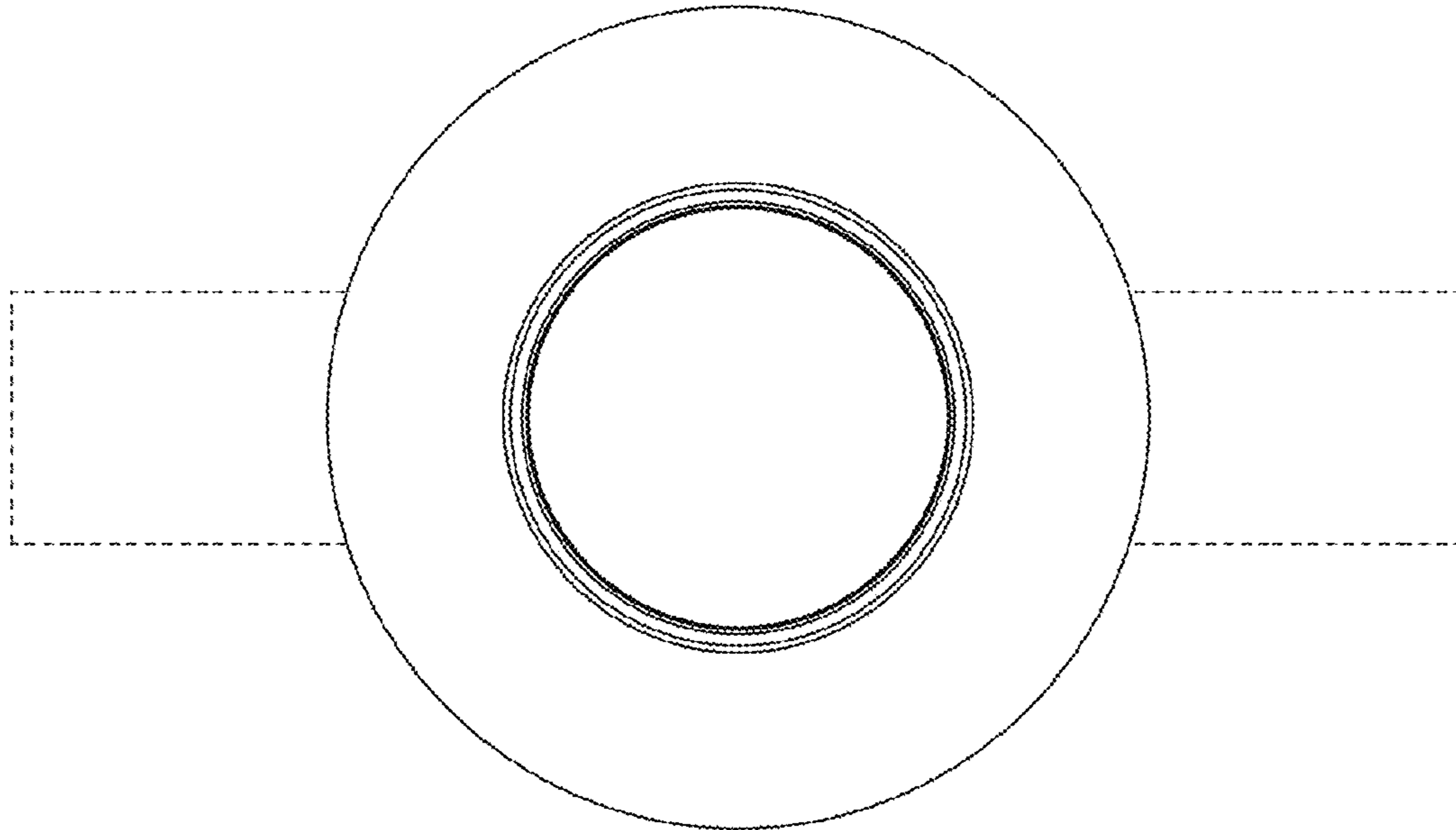


FIG 3

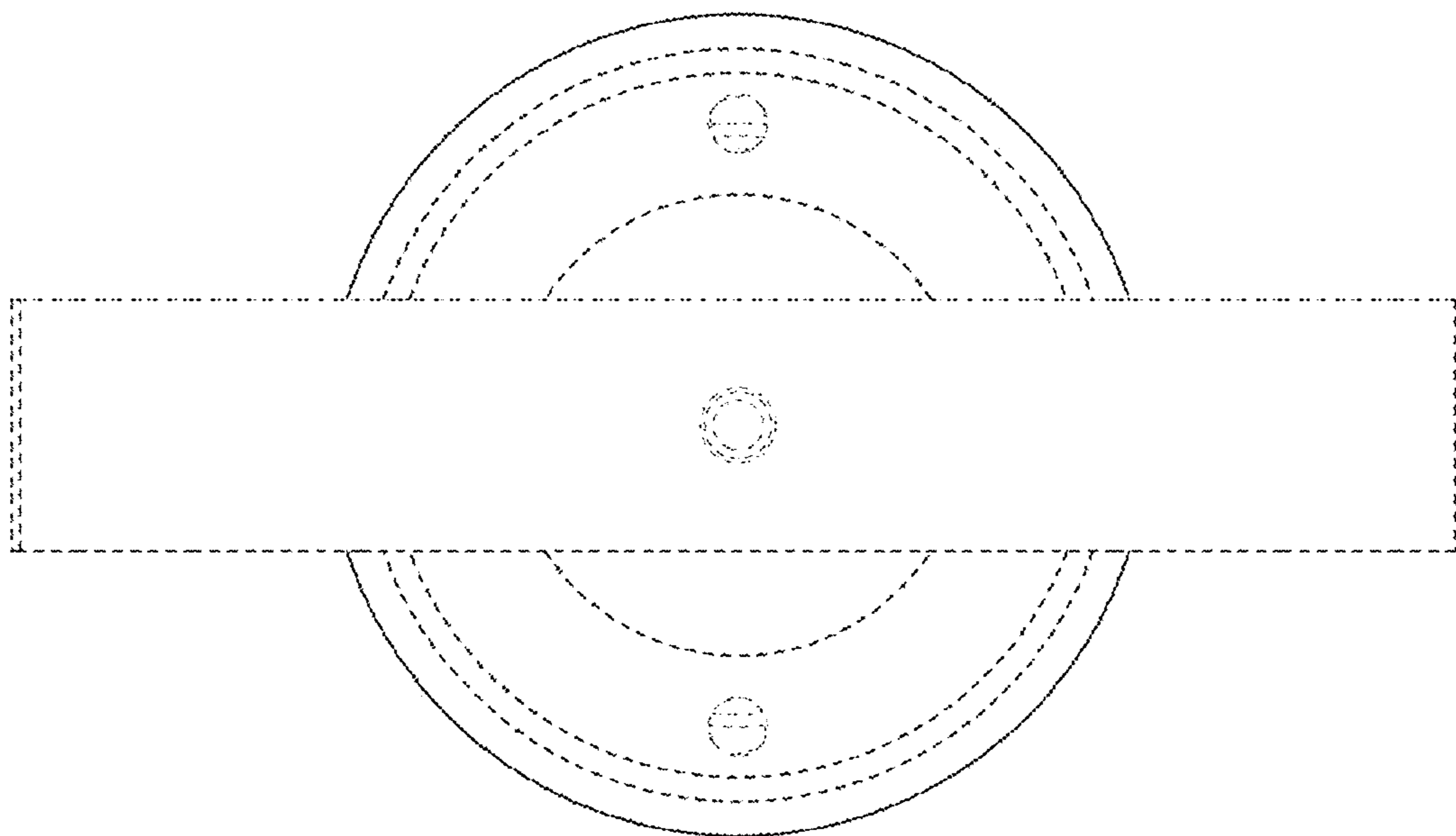


FIG 4