



US00D780716S

(12) **United States Design Patent**  
**Ridder**

(10) **Patent No.:** **US D780,716 S**  
(45) **Date of Patent:** **\*\* Mar. 7, 2017**

(54) **SPEAKER ENCLOSURE**  
(71) Applicant: **Porsche Lizenz-und  
Handelsgesellschaft mbH & Co. KG,**  
Ludwigsburg (DE)  
(72) Inventor: **Christian Ridder,** Pforzheim (DE)  
(73) Assignee: **Porsche Lizenz- und  
Handelsgesellschaft mbH & Co. KG,**  
Ludwigsburg (DE)  
(\*\*) Term: **15 Years**

D319,239 S \* 8/1991 Kovner ..... D14/204  
D375,745 S \* 11/1996 Asencio ..... D14/213  
D376,802 S \* 12/1996 Asencio ..... D14/213  
D404,564 S \* 1/1999 Rausch ..... D3/229  
6,101,261 A \* 8/2000 Brown, Sr. .... H04R 1/026  
181/199  
6,687,380 B1 \* 2/2004 Vishwamitra ..... H04R 1/025  
181/150  
6,810,127 B2 \* 10/2004 Bronson, III ..... H04R 1/323  
181/197  
D505,939 S \* 6/2005 Dayan ..... D14/215  
D523,000 S \* 6/2006 Bronson, III ..... H04R 1/323  
D14/214  
7,164,576 B2 \* 1/2007 Suprapmo ..... G06F 1/1605  
248/918

(Continued)

(21) Appl. No.: **29/535,437**

(22) Filed: **Aug. 6, 2015**

(30) **Foreign Application Priority Data**

Feb. 6, 2015 (EM) ..... 001429757

(51) **LOC (10) Cl.** ..... **14-01**

(52) **U.S. Cl.**  
USPC ..... **D14/207; D14/210; D14/204**

(58) **Field of Classification Search**  
USPC ..... D14/204, 207, 210-216, 172, 209.1,  
D14/203.2, 189; 181/143, 144, 147, 148,  
181/150-153, 157, 198, 199;  
381/300-303, 306, 332, 333, 336, 345,  
381/361-364, 386-388; D11/160, 162,  
D11/606-609, 832; 455/344-347;  
369/6-12; D9/683, 500, 738, 763;  
D7/300, 601-606

CPC ..... H04R 1/00; H04R 1/02; H04R 2400/00;  
H04R 31/00; H05K 5/00

See application file for complete search history.

(56) **References Cited**

**U.S. PATENT DOCUMENTS**

3,707,201 A \* 12/1972 Domin ..... H04R 1/021  
181/145

*Primary Examiner* — Prabhakar Deshmukh

(74) *Attorney, Agent, or Firm* — RatnerPrestia

(57) **CLAIM**

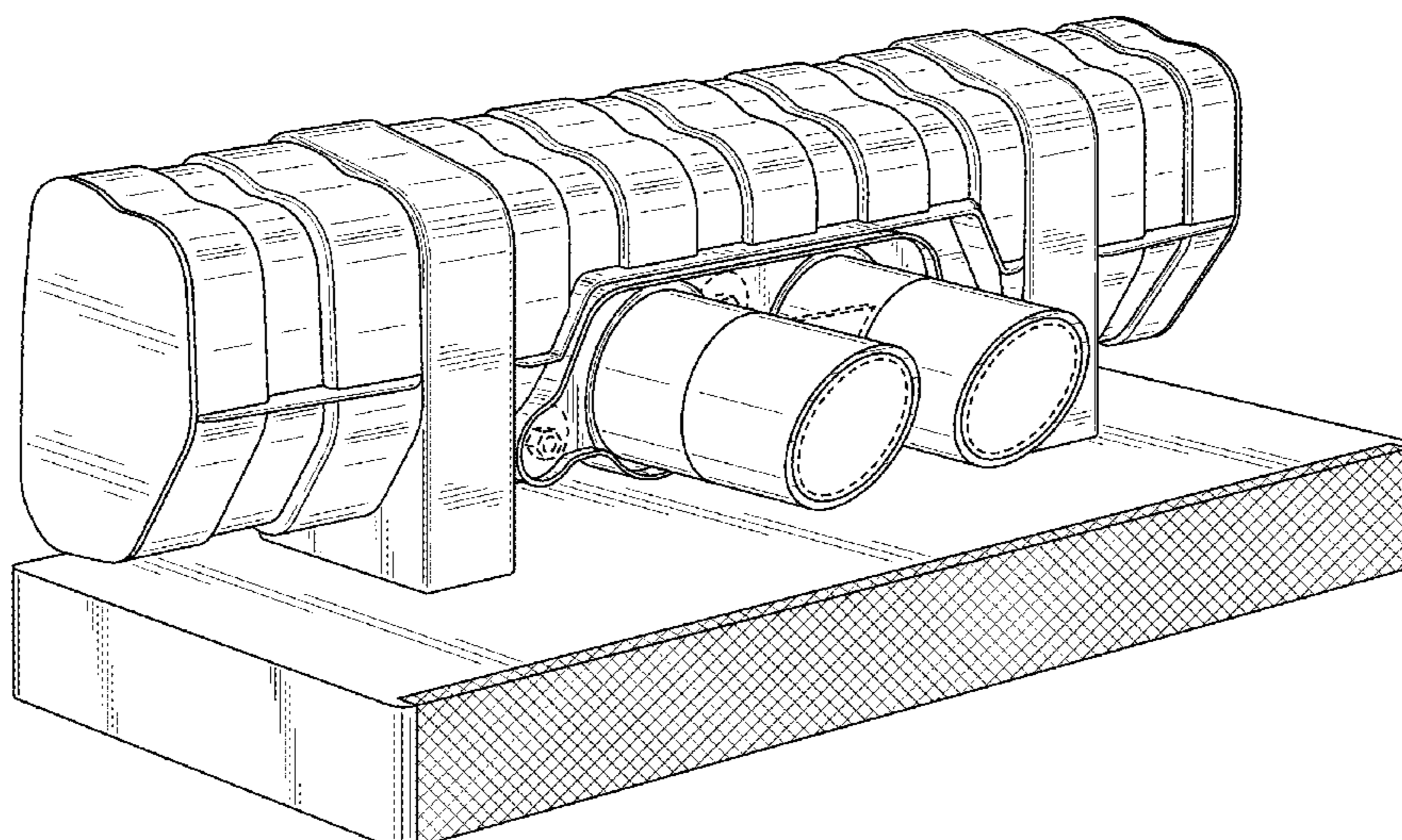
The ornamental design for a speaker enclosure, as shown and described.

**DESCRIPTION**

FIG. 1 is a perspective view of a speaker enclosure;  
FIG. 2 is a front elevation view thereof;  
FIG. 3 is a rear elevation view thereof;  
FIG. 4 is an elevation view thereof from the right side;  
FIG. 5 is an elevation view thereof from the left side;  
FIG. 6 is a top plan view thereof; and,  
FIG. 7 is a bottom plan view thereof.

The broken line showing of the speaker enclosure is for the purpose of illustrating portions of the speaker enclosure and forms no part of the claimed design.

**1 Claim, 6 Drawing Sheets**



(56)

**References Cited**

U.S. PATENT DOCUMENTS

7,672,472 B2 \* 3/2010 Oxford ..... H04R 9/06  
381/186  
9,282,386 B2 \* 3/2016 Low ..... B23P 11/00

\* cited by examiner



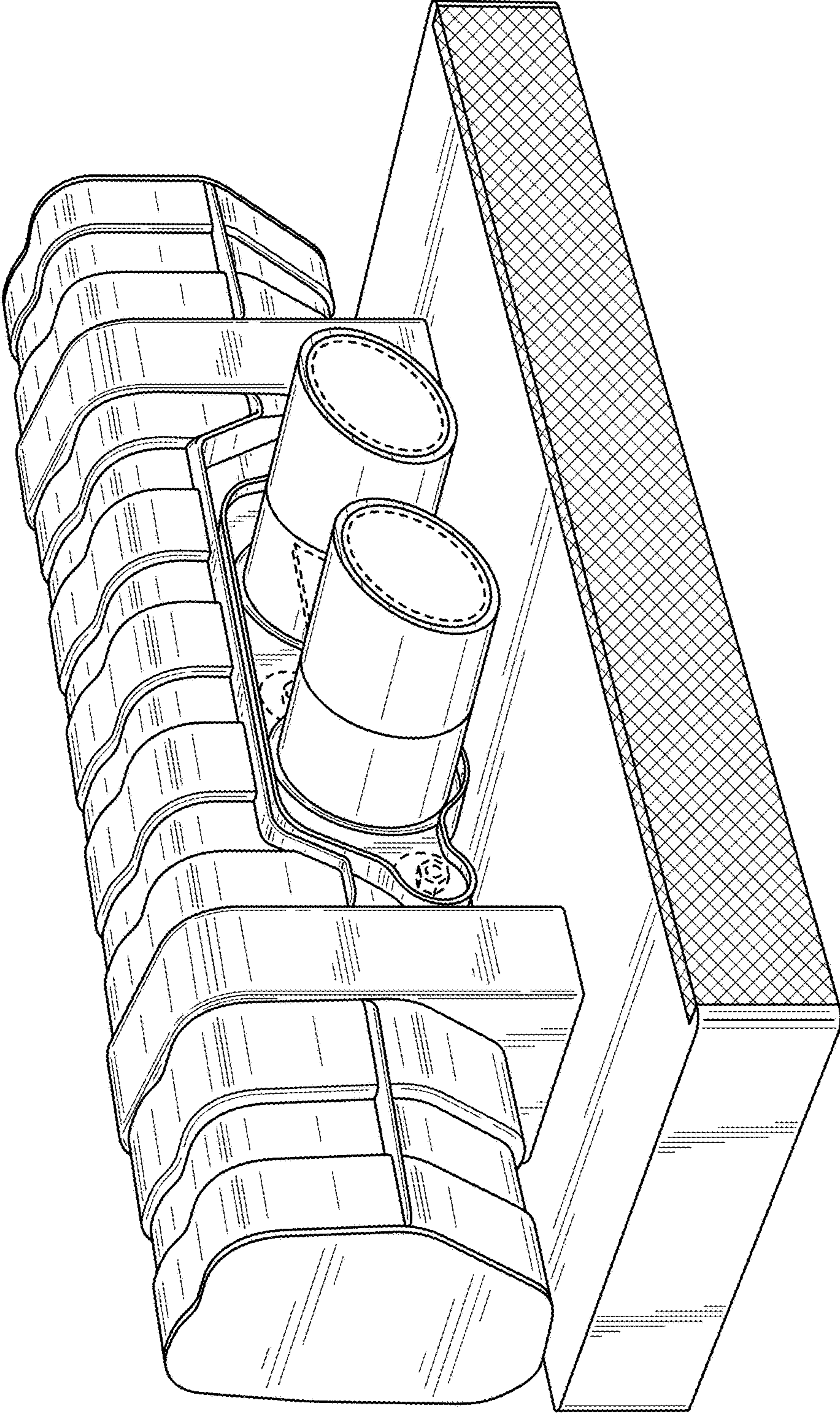


FIG. 1

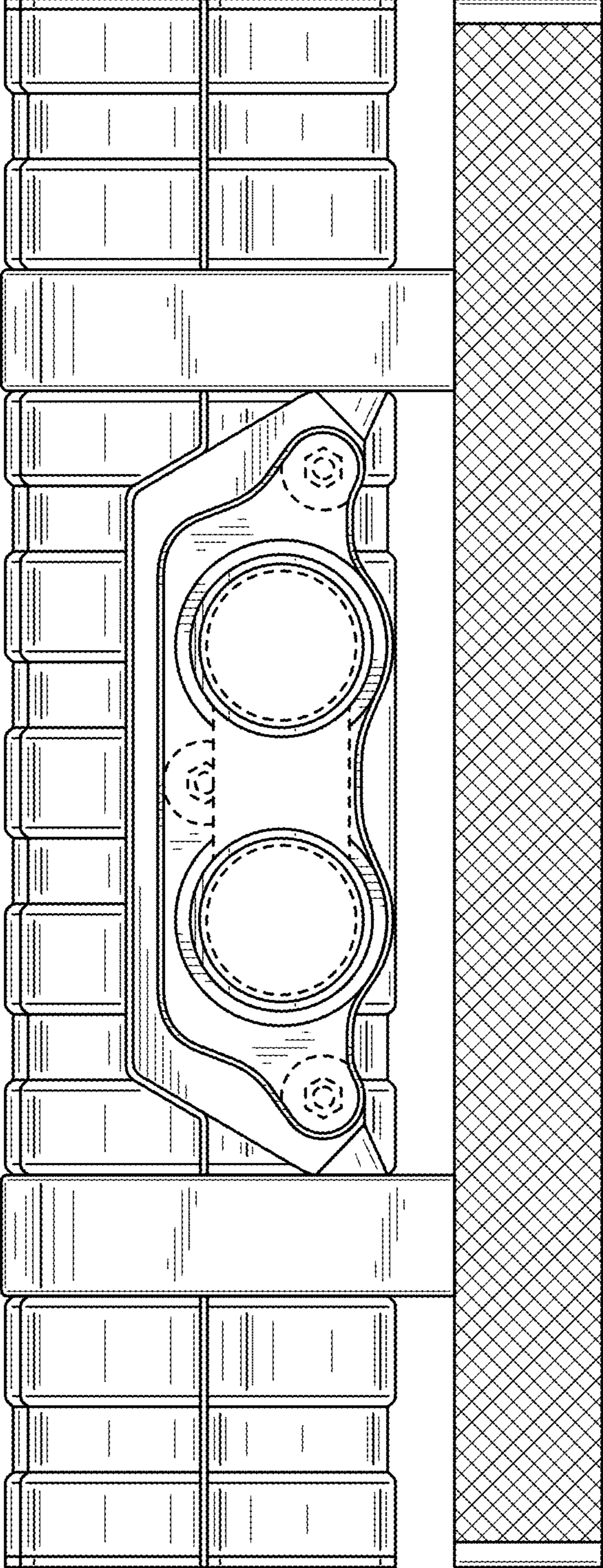


FIG. 2



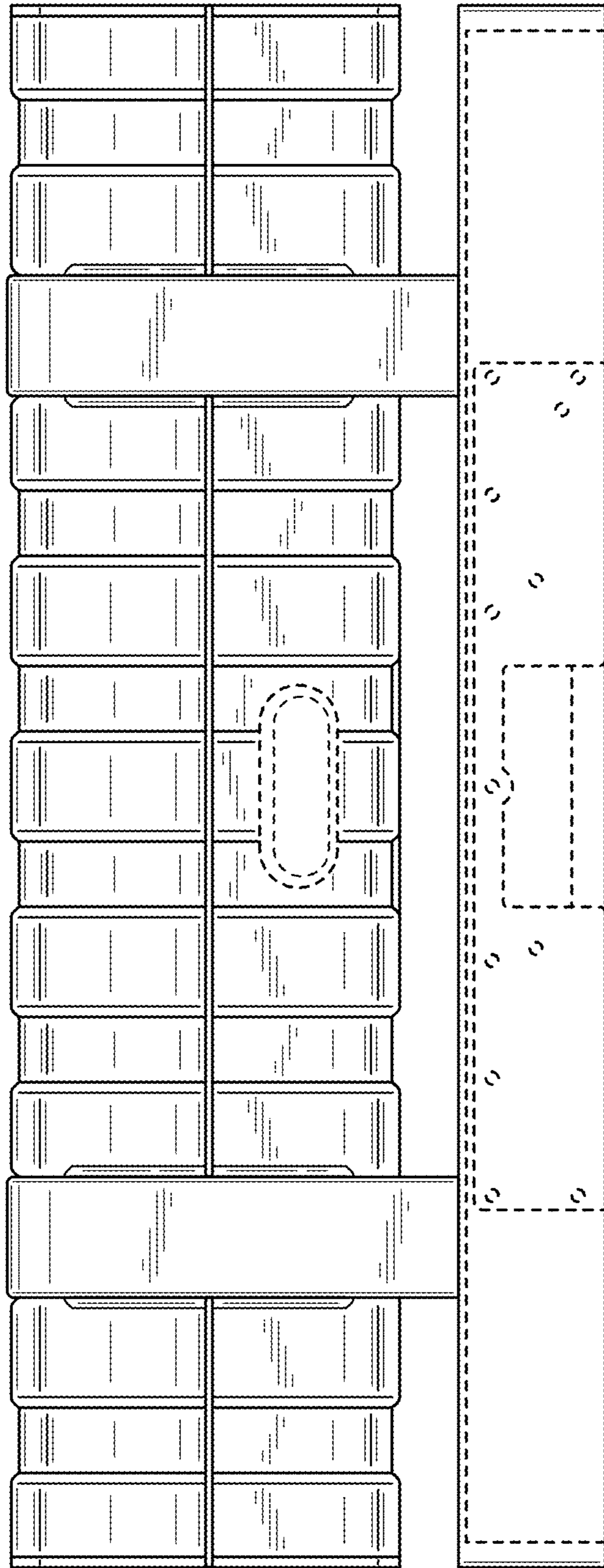


FIG. 3

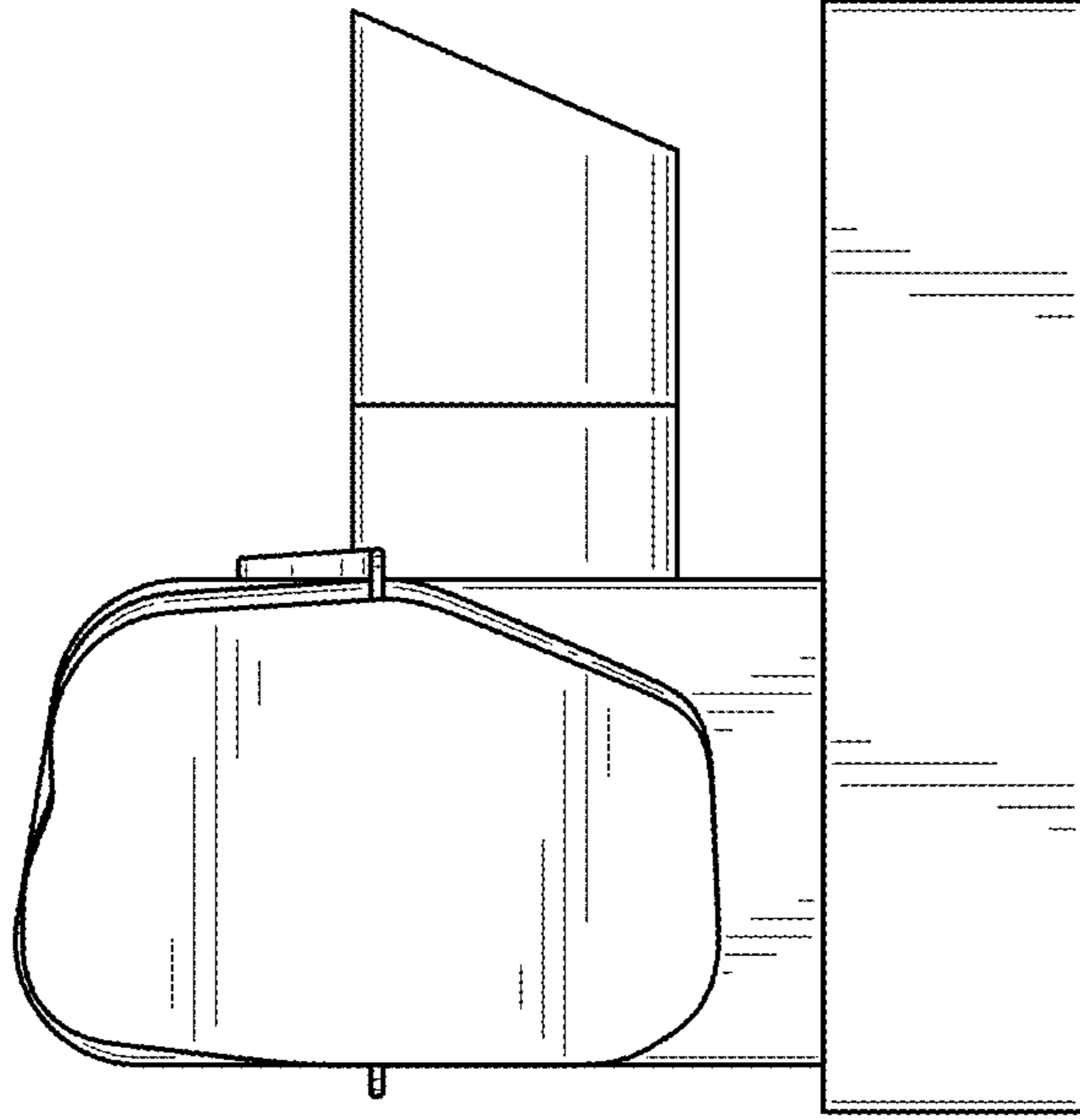


FIG. 4

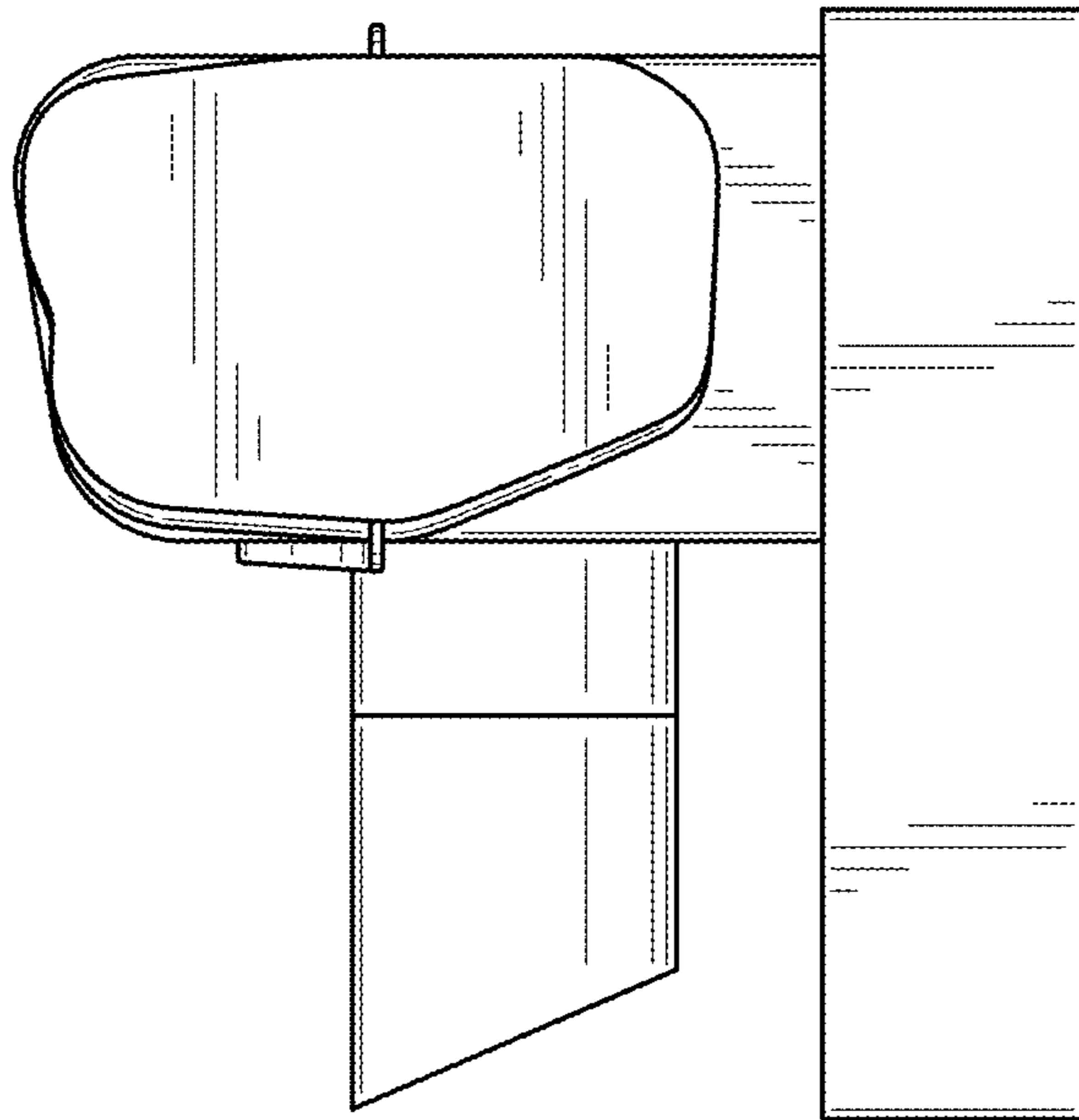


FIG. 5

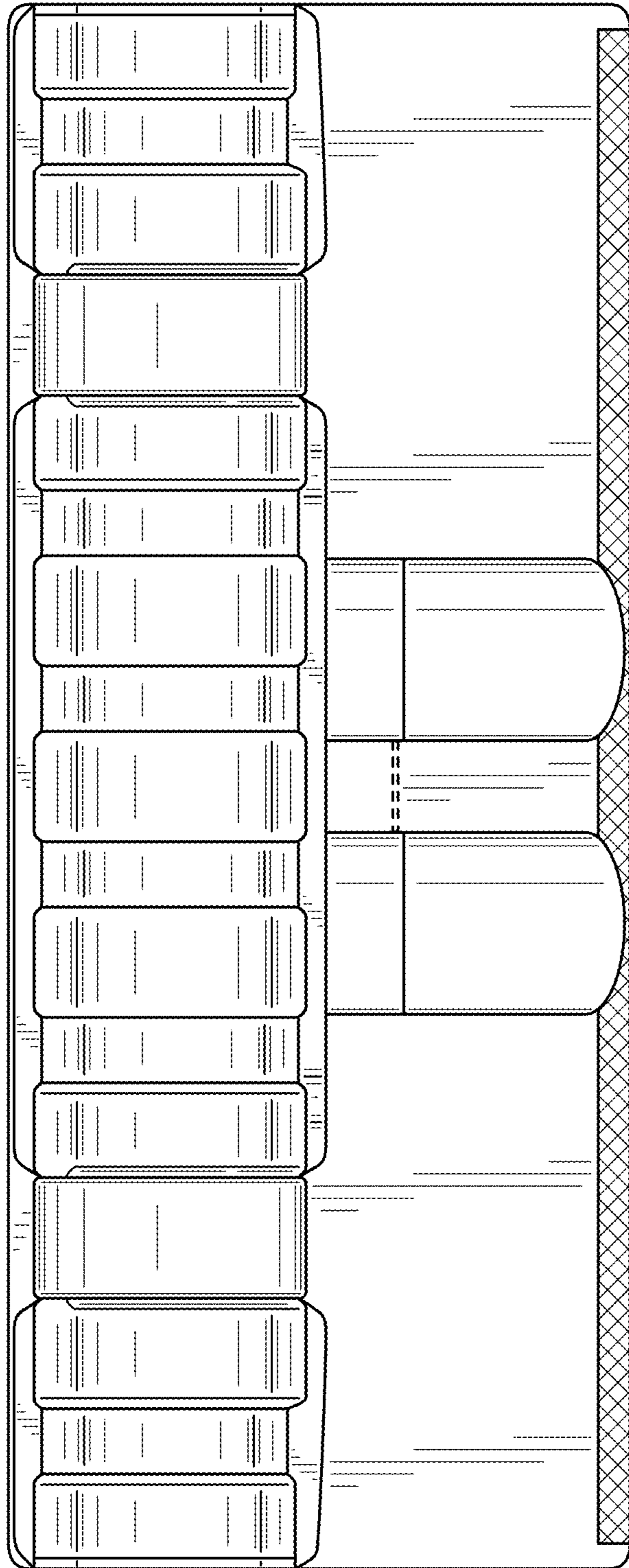


FIG. 6

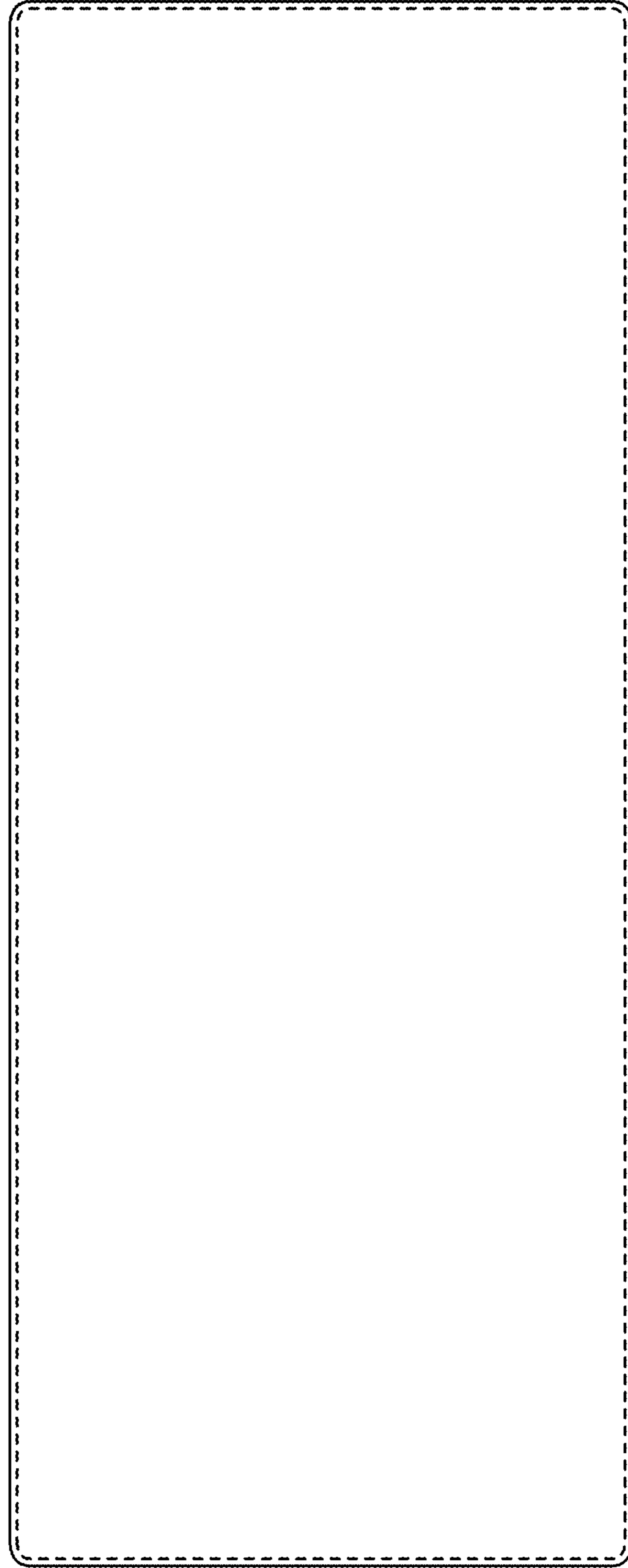


FIG. 7