



US00D780713S

(12) **United States Design Patent**  
**Szymanski**

(10) **Patent No.:** **US D780,713 S**  
(45) **Date of Patent:** **\*\* Mar. 7, 2017**

(54) **HEADPHONE**

(71) Applicant: **Aaron Szymanski**, Thomaston, CT  
(US)

(72) Inventor: **Aaron Szymanski**, Thomaston, CT  
(US)

(73) Assignee: **IdeaVillage Products Corporation**,  
Wayne, NJ (US)

(\*\*) Term: **14 Years**

(21) Appl. No.: **29/505,050**

(22) Filed: **May 11, 2015**

(51) **LOC (10) Cl.** ..... **14-01**

(52) **U.S. Cl.**  
USPC ..... **D14/205**

(58) **Field of Classification Search**  
USPC ..... D14/205, 249; D29/112, 122; 2/209;  
181/129, 130, 135, 131-134; 381/380,  
381/381, 370, 377, 378, 374, 385, 183,  
381/187; 455/90.3, 575.1  
CPC ..... H04R 1/1066; H04R 25/00; H04R 1/10;  
H04R 1/105  
See application file for complete search history.

(56) **References Cited**

**U.S. PATENT DOCUMENTS**

- 1,606,165 A \* 11/1926 Glenn ..... H01B 7/04  
123/633
- 2,537,201 A \* 1/1951 Amfitheatrof ..... A61F 11/008  
181/136
- 4,634,816 A \* 1/1987 O'Malley ..... H04M 1/05  
379/430

- D297,324 S \* 8/1988 Kohno ..... D14/205
- D316,861 S \* 5/1991 Yoda ..... D14/205
- D318,669 S \* 7/1991 Nakayama ..... D14/205
- D328,461 S \* 8/1992 Daido ..... D14/205
- 5,459,290 A \* 10/1995 Yamagishi ..... H04R 1/1075  
181/129
- D373,360 S \* 9/1996 Kanno ..... D14/205
- D375,312 S \* 11/1996 Kanno ..... D14/205
- D377,021 S \* 12/1996 Isono ..... D14/205
- D502,938 S \* 3/2005 Tokioka ..... D14/205
- 7,072,483 B2 \* 7/2006 Lenhard-Backhaus H04R 1/1066  
381/370

(Continued)

*Primary Examiner* — Paula Greene

(74) *Attorney, Agent, or Firm* — Dan DeLaRosa

(57) **CLAIM**

The ornamental design for headphone, as shown and described.

**DESCRIPTION**

FIG. 1 is a front perspective view of the headphone of the present invention showing my new design;  
 FIG. 2 is a front side elevational view thereof;  
 FIG. 3 is a back side elevational view thereof;  
 FIG. 4 is a side elevational view thereof;  
 FIG. 5 is another side elevational view thereof;  
 FIG. 6 is a top plan view thereof;  
 FIG. 7 is a bottom plan view thereof;  
 FIG. 8 is perspective view of FIG. 1 in a folded position;  
 FIG. 9 is a front side view of FIG. 2 in a folded position;  
 FIG. 10 is a top plan view of FIG. 6 in a folded position; and,  
 FIG. 11 is a bottom plan view of FIG. 7 in a folded position.  
 The broken lines depict environment that forms no part of the claimed design.

**1 Claim, 8 Drawing Sheets**



(56)

## References Cited

## U.S. PATENT DOCUMENTS

D544,464	S *	6/2007	Lee	.....	D14/205
D573,581	S *	7/2008	Gondo	.....	D14/205
D584,715	S *	1/2009	Brennwald	.....	D14/205
D588,098	S *	3/2009	Kurihara	.....	D14/205
D594,847	S *	6/2009	Suzuki	.....	D14/205
7,580,539	B2 *	8/2009	Tachikawa	.....	H04R 1/1066 381/374
D600,674	S *	9/2009	Brennwald	.....	D14/205
D625,705	S *	10/2010	Ohuri	.....	D14/205
D639,776	S *	6/2011	Arimoto	.....	D14/205
8,098,872	B2 *	1/2012	Chang	.....	H04R 1/1075 381/370
D656,125	S *	3/2012	Komiyama	.....	D14/205
D665,775	S *	8/2012	Katsumata	.....	D14/205
D673,136	S *	12/2012	Kelly	.....	D14/205
D675,595	S *	2/2013	Cho	.....	D14/205
D684,140	S *	6/2013	Enquist	.....	D14/205
D691,109	S *	10/2013	Hardi	.....	D14/205
D704,161	S *	5/2014	Morimoto	.....	D14/205
D706,240	S *	6/2014	Szymanski	.....	D14/205
D706,241	S *	6/2014	Szymanski	.....	D14/205
D707,653	S *	6/2014	Hardi	.....	D14/205
D708,163	S *	7/2014	Ishikura	.....	D14/205
D712,375	S *	9/2014	Miyake	.....	D14/205
D715,255	S *	10/2014	Nunez	.....	D14/205
D727,289	S *	4/2015	Czaniecki	.....	D14/205
D728,512	S *	5/2015	Nakagawa	.....	D14/205
D729,194	S *	5/2015	Boeckel	.....	D14/205
D733,090	S *	6/2015	Petersen	.....	D14/205
D750,593	S *	3/2016	Hardi	.....	D14/205
2007/0165899	A1 *	7/2007	Garin	.....	H04R 5/0335 381/377

\* cited by examiner



FIG. 1



FIG. 2

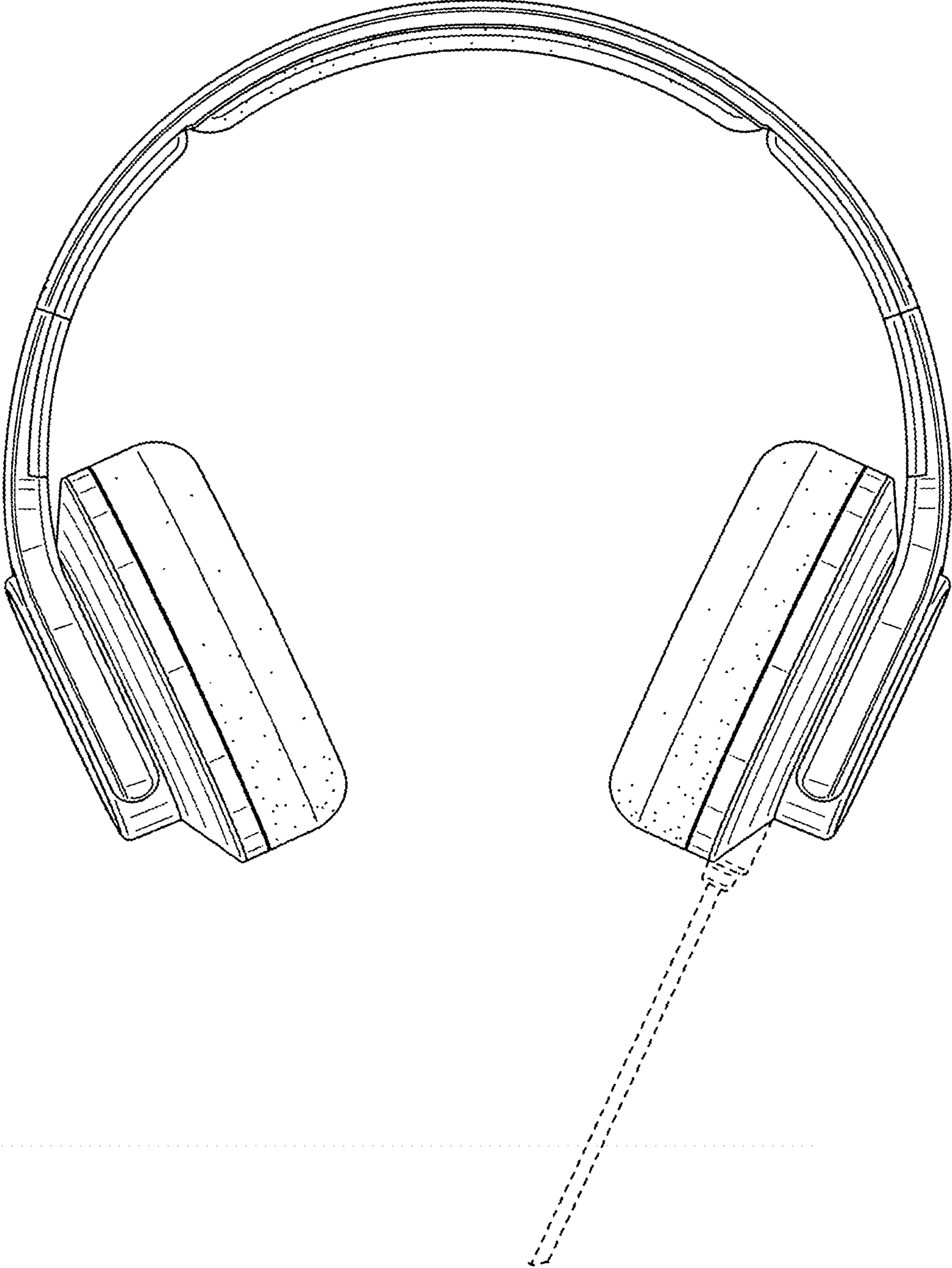


FIG. 3

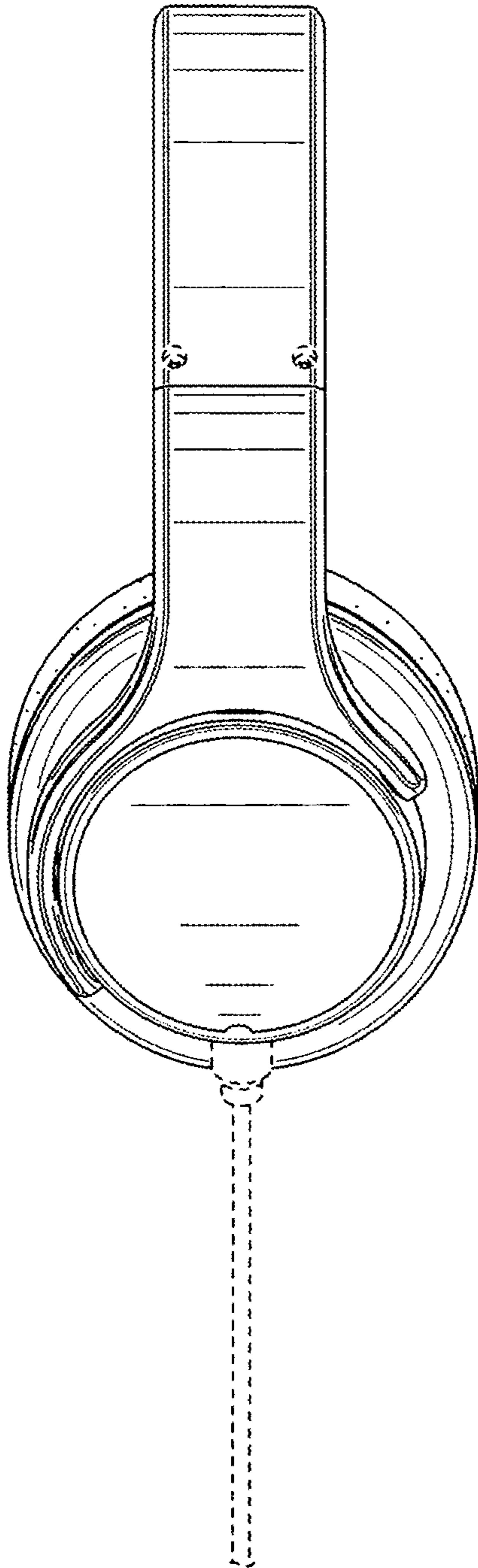


FIG. 4

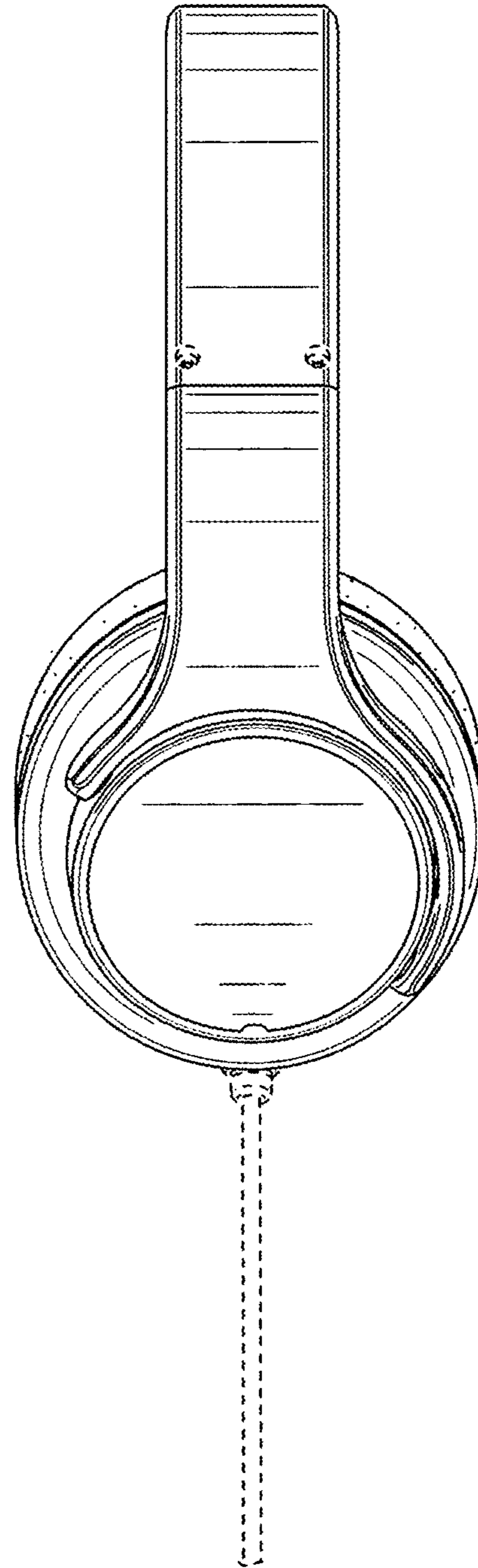


FIG. 5

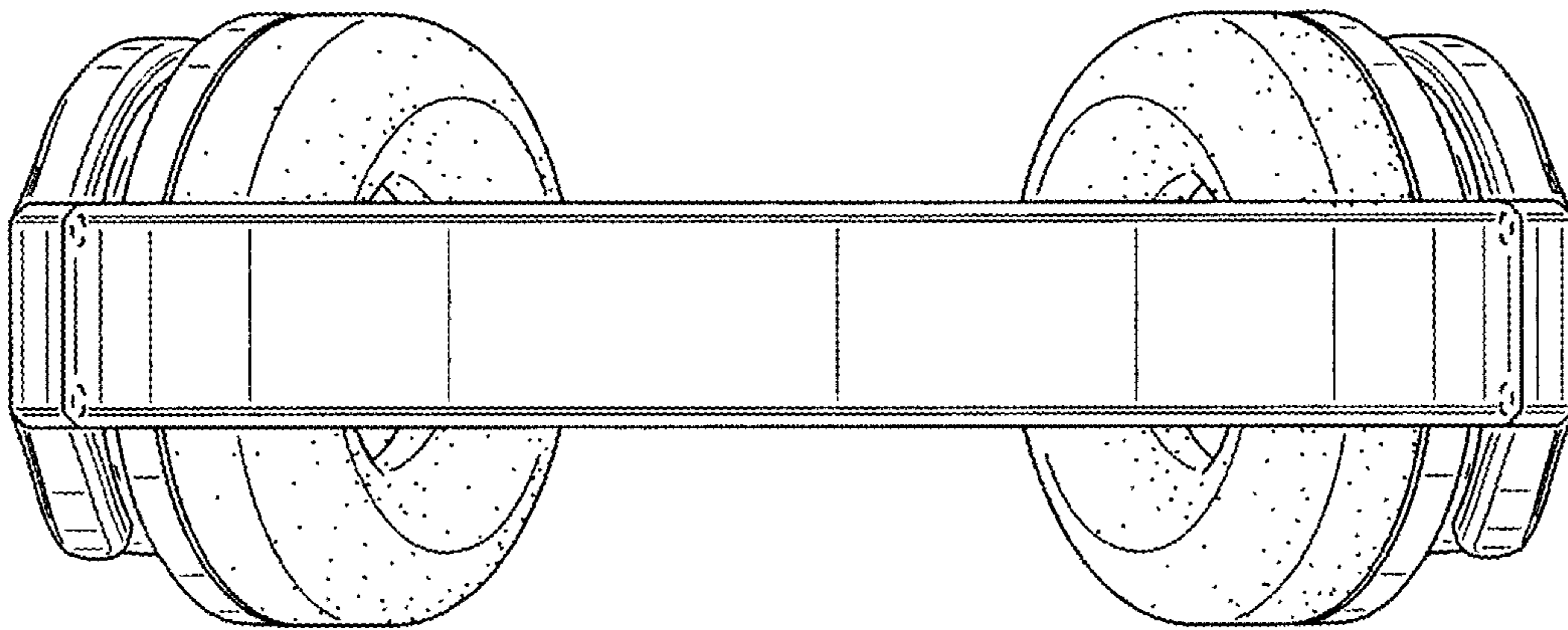


FIG. 6

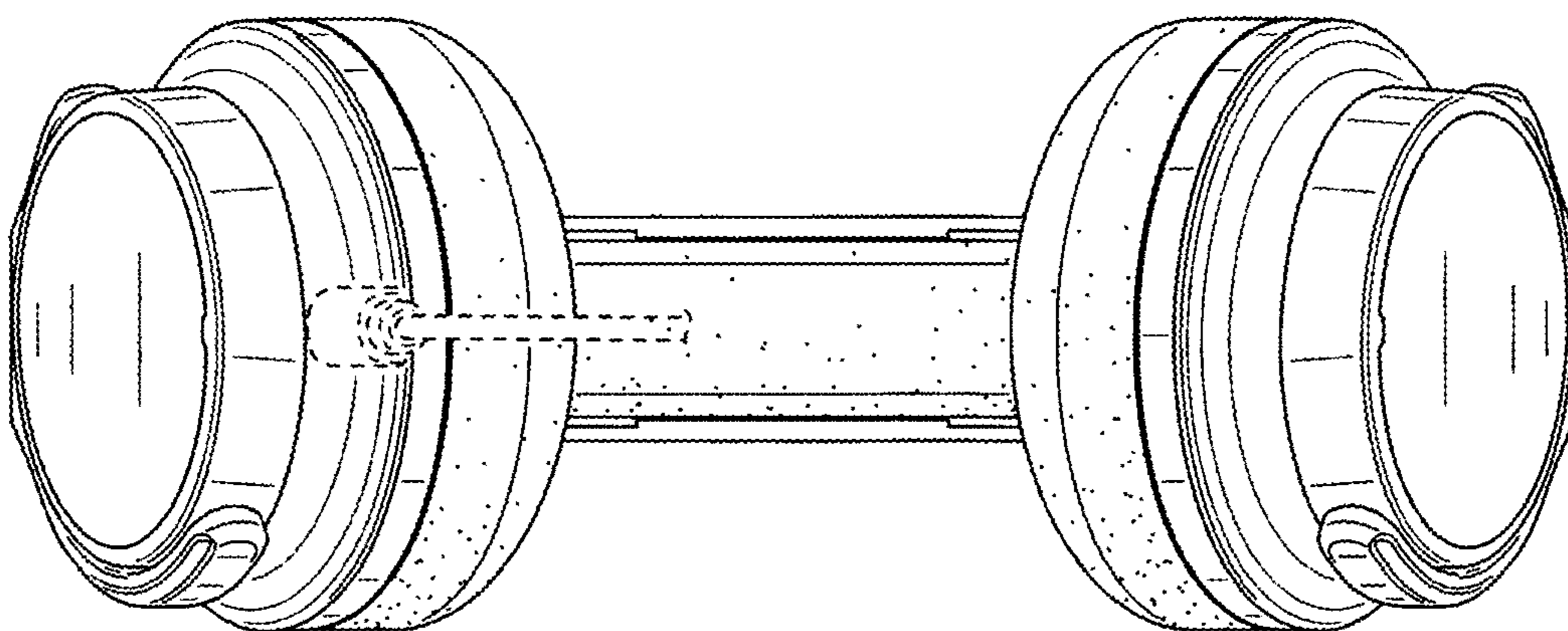


FIG. 7

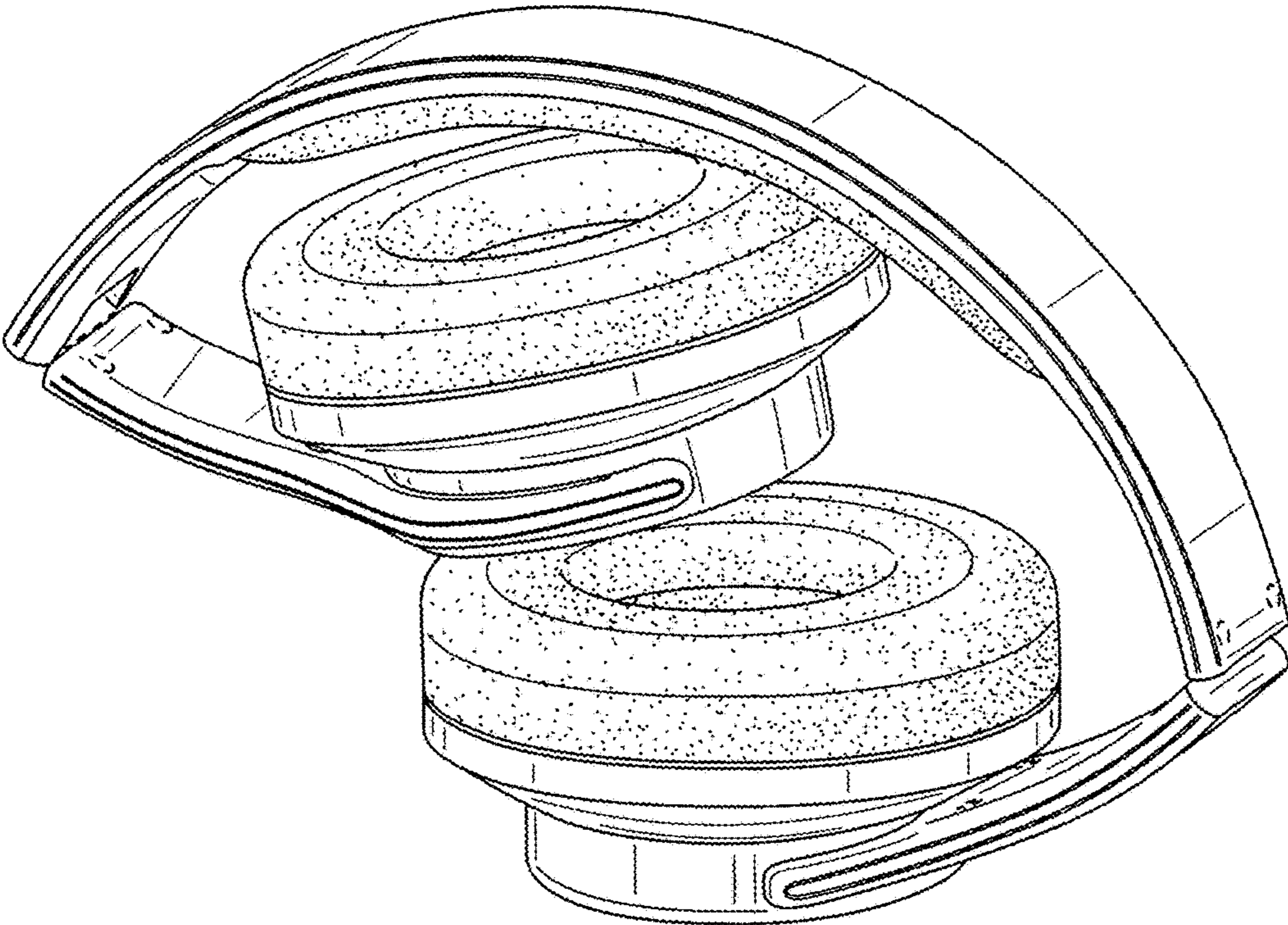


FIG. 8



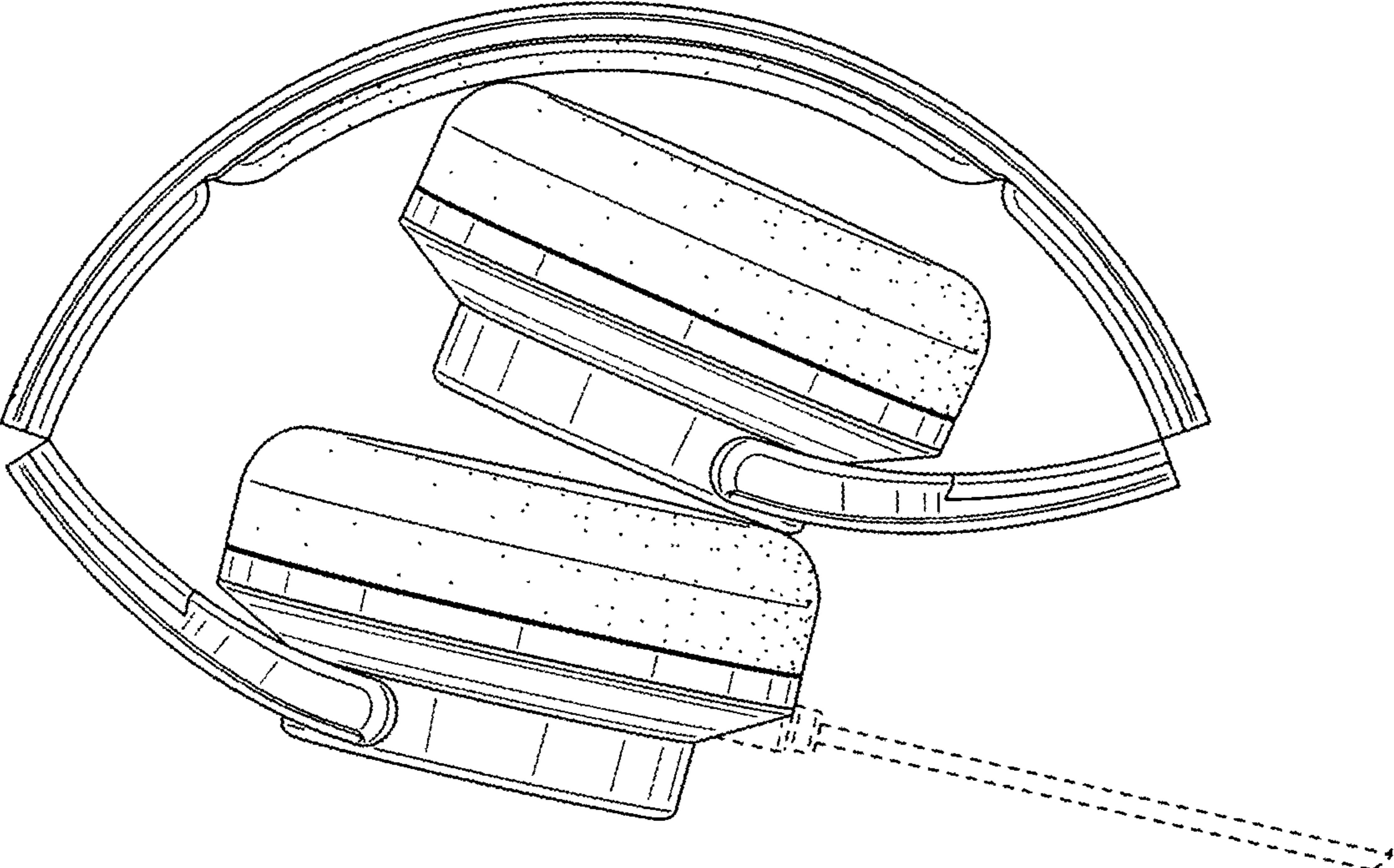


FIG. 9

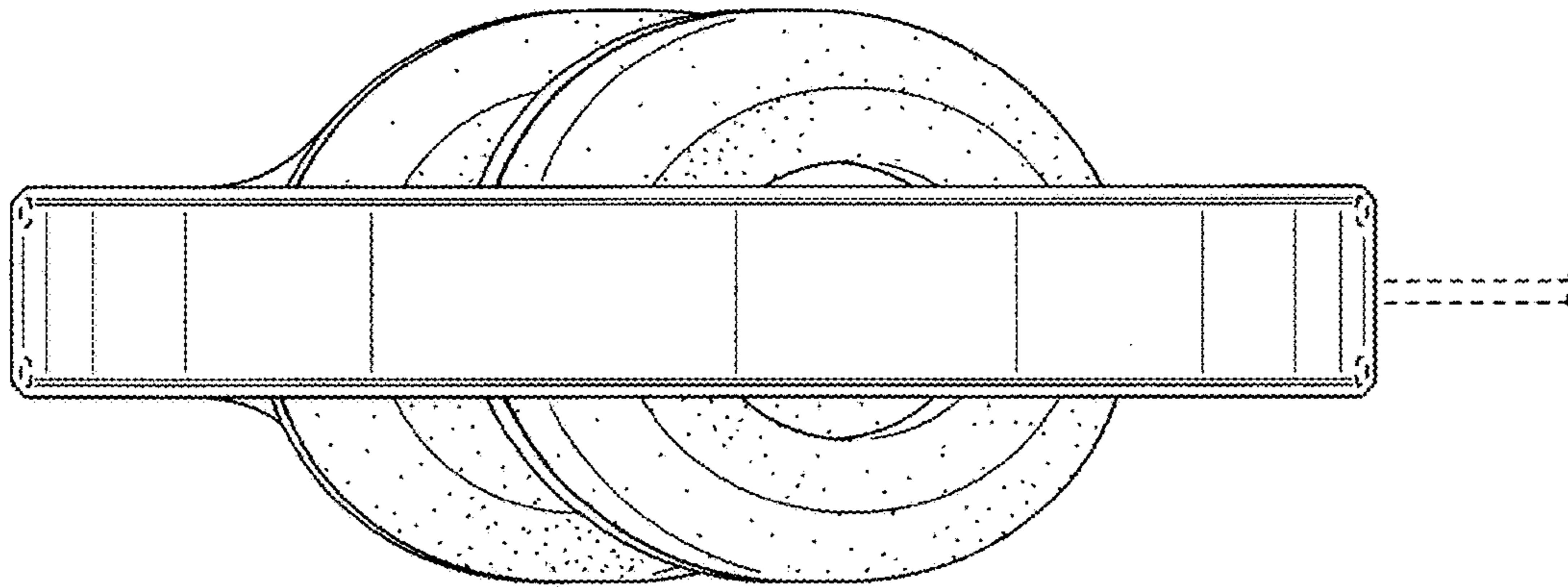


FIG. 10

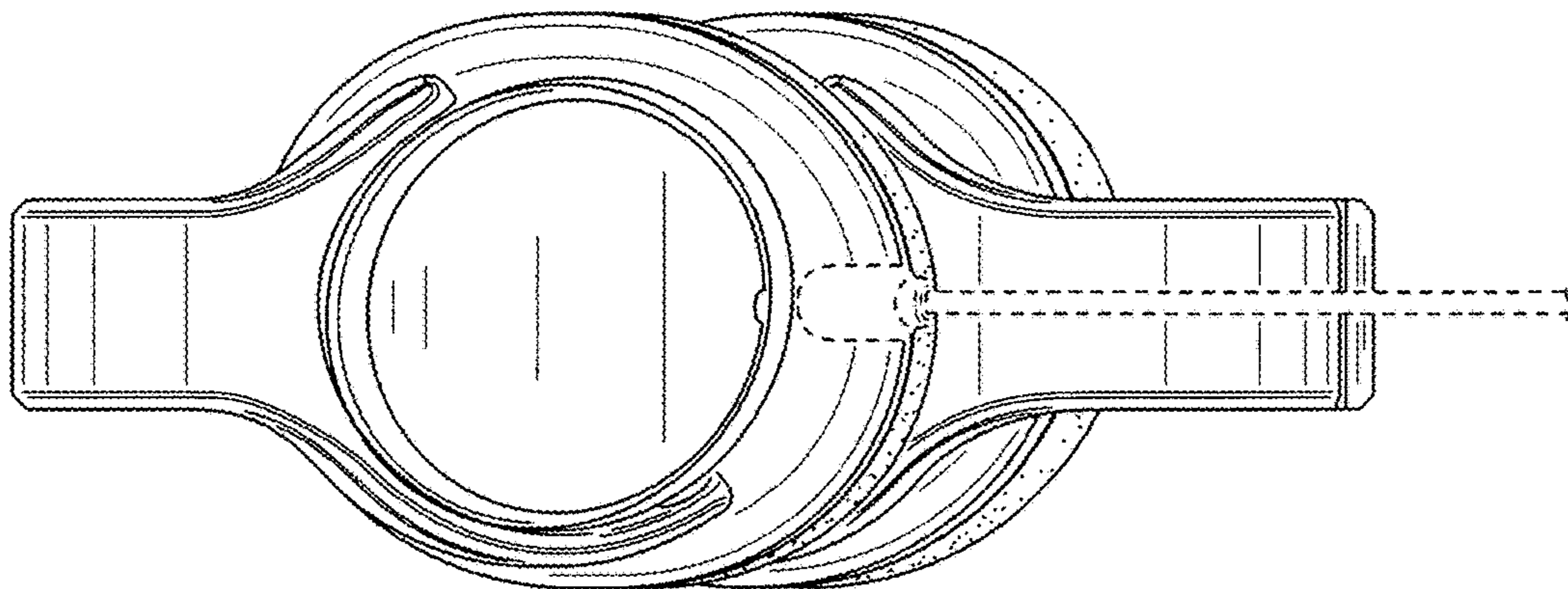


FIG. 11