



US00D780710S

(12) **United States Design Patent**
Song

(10) **Patent No.:** **US D780,710 S**

(45) **Date of Patent:** **** Mar. 7, 2017**

(54) **PORTABLE ELECTRONIC DEVICE**

<http://funfunhan.com/2473740> (Last accessed Jun. 5, 2015).

(71) Applicant: **Samsung Electronics Co., Ltd.**,
Suwon-si (KR)

Primary Examiner — Deanna L Pratt

(74) *Attorney, Agent, or Firm* — McAndrews Held & Malloy, Ltd.

(72) Inventor: **Junyong Song**, Seongnam-si (KR)

(57) **CLAIM**

(73) Assignee: **SAMSUNG ELECTRONICS CO., LTD.**, Suwon-si (KR)

The ornamental design for a portable electronic device, as shown and described.

(**) Term: **14 Years**

DESCRIPTION

(21) Appl. No.: **29/519,484**

(22) Filed: **Mar. 5, 2015**

(30) **Foreign Application Priority Data**

Sep. 5, 2014 (KR) 30-2014-0043778

(51) **LOC (10) Cl.** **14-03**

(52) **U.S. Cl.**
USPC **D14/138 AA**

(58) **Field of Classification Search**
USPC D14/138 R, 138 AA, 138 AB, 138 AC,
D14/138 AD, 138 G, 248, 341-347
(Continued)

(56) **References Cited**

U.S. PATENT DOCUMENTS

D551,649 S * 9/2007 Moon D14/138 AA
D657,331 S * 4/2012 Jung D14/138 G
(Continued)

FOREIGN PATENT DOCUMENTS

CN 302842252 S 6/2014
EM 002320390-0001 3/2014
(Continued)

OTHER PUBLICATIONS

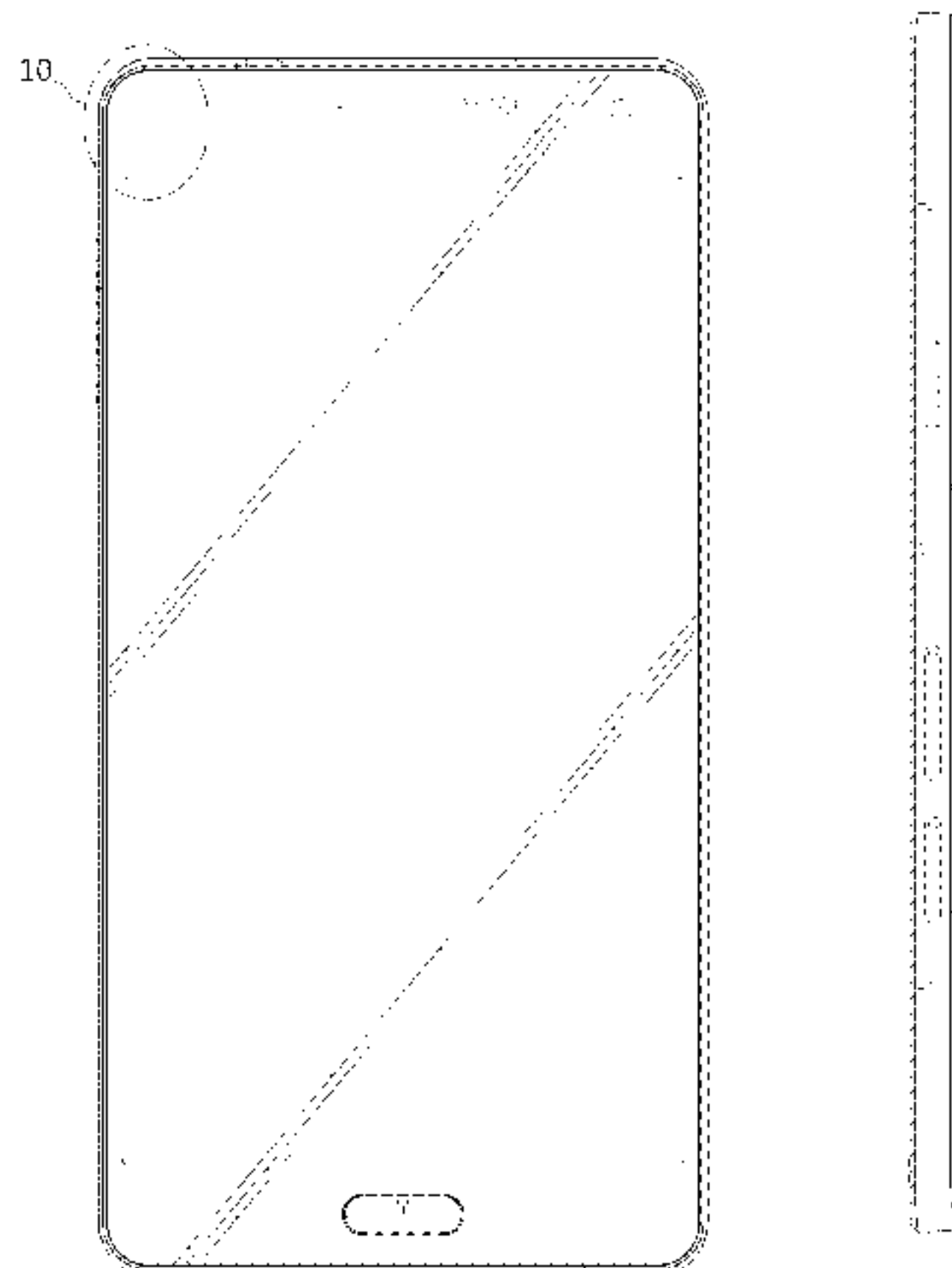
http://www.gsmarena.com/samsung_galaxy_a5-pictures-6761.php
(Last accessed Jun. 5, 2015).

FIG. 1 is a top right front perspective view of a portable electronic device showing my new design;
FIG. 2 is a front elevation view thereof;
FIG. 3 is a rear elevation view thereof;
FIG. 4 is a left side elevation view thereof;
FIG. 5 is a right side elevation view thereof;
FIG. 6 is a top plan view thereof;
FIG. 7 is a bottom plan view thereof;
FIG. 8 is a top left rear perspective view thereof;
FIG. 9 is an enlarged view of the encircled portion shown in FIG. 1;
FIG. 10 is an enlarged view of the encircled portion shown in FIG. 2;
FIG. 11 is an enlarged view of the encircled portion shown in FIG. 8;
FIG. 12 is the rear elevation view of FIG. 3 with the disclaimed circular camera, which is shown in dotted lines in FIG. 3 behind the oblique surface shading, removed;
FIG. 13 is the top left rear perspective view of FIG. 8 with the disclaimed circular camera, which is shown in dotted lines in FIG. 8 behind the oblique surface shading, removed; and,
FIG. 14 is an enlarged view of the encircled portion shown in FIG. 13.

The short dash-dash broken lines in the figures represent unclaimed portions of the portable electronic device and form no part of the claimed design.

The short dash-dash broken lines that occur within the claimed surfaces in FIGS. 3, 8 and 11, showing of the circular camera, are superimposed on continuous surfaces and form no part of the claimed design.

(Continued)



The dot-dash broken lines encircling portions of the claimed design in FIGS. 1, 2, 8, 9, 10, 11, 13, and 14 that are illustrated in enlargements form no part of the claimed design.

1 Claim, 14 Drawing Sheets

(58) **Field of Classification Search**

CPC H04M 1/0202; H04M 1/0235; H04M 1/0237;
H04M 1/0239; H04M 2250/52

See application file for complete search history.

(56)

References Cited

U.S. PATENT DOCUMENTS

D677,644 S * 3/2013 Park D14/138 G
D696,221 S * 12/2013 Lee D14/138 G
D703,179 S * 4/2014 Choe D14/138 G
D710,815 S * 8/2014 Kim D14/138 G

D711,336 S * 8/2014 Park D14/138 G
D711,338 S * 8/2014 Park D14/138 G
D716,748 S * 11/2014 Wang D14/138 G
D722,034 S * 2/2015 Lee D14/138 G
D722,581 S * 2/2015 Kim D14/138 G
D747,286 S * 1/2016 Kim D14/138 G
D750,620 S * 3/2016 Zhai D14/203.7
D752,008 S * 3/2016 Lee D14/138 G
D756,952 S * 5/2016 Simonian D14/138 G
D758,361 S * 6/2016 Yeo D14/341
D763,846 S * 8/2016 Lee D14/341
D767,523 S * 9/2016 Zhang D14/138 G

FOREIGN PATENT DOCUMENTS

KR 30-0689427 4/2013
KR 30-0703341 8/2013
KR 30-0737191 4/2014
KR 30-0741856 5/2014
KR 30-0736851 10/2014
TW D160492 5/2014

* cited by examiner

FIG. 1

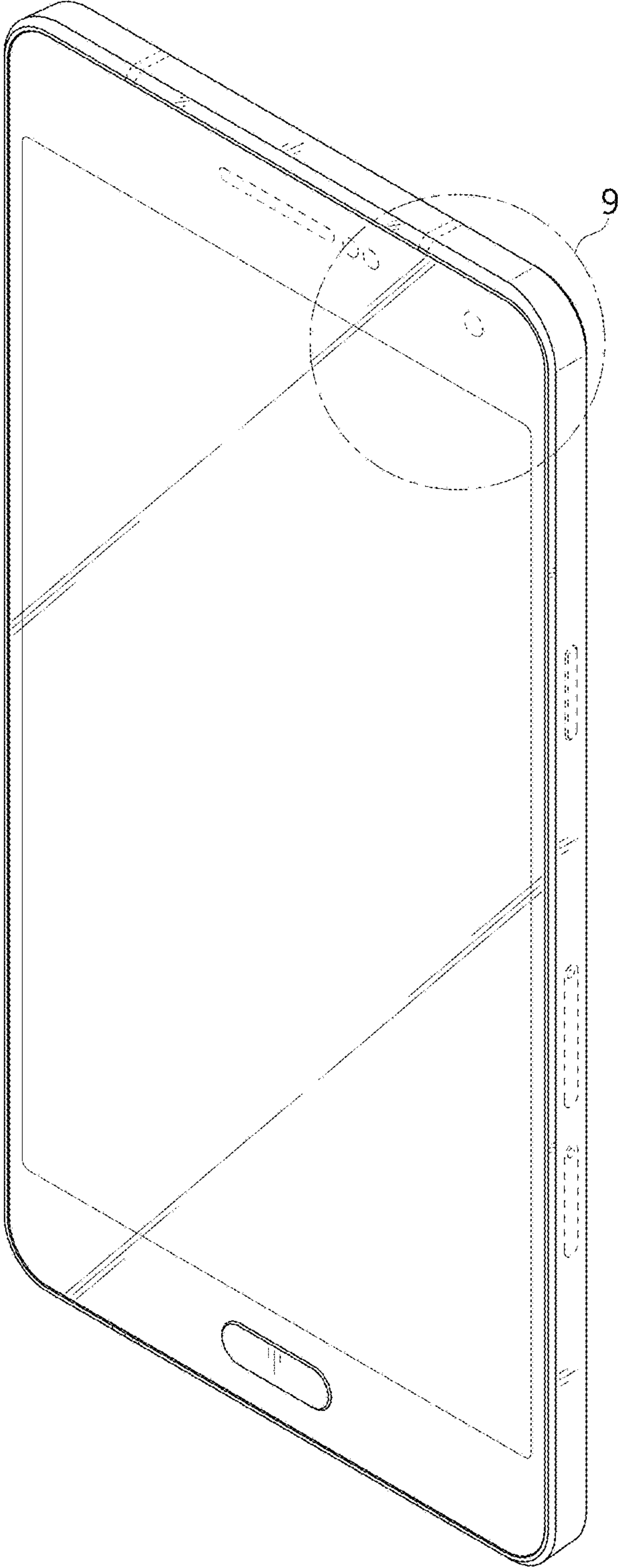


FIG. 2

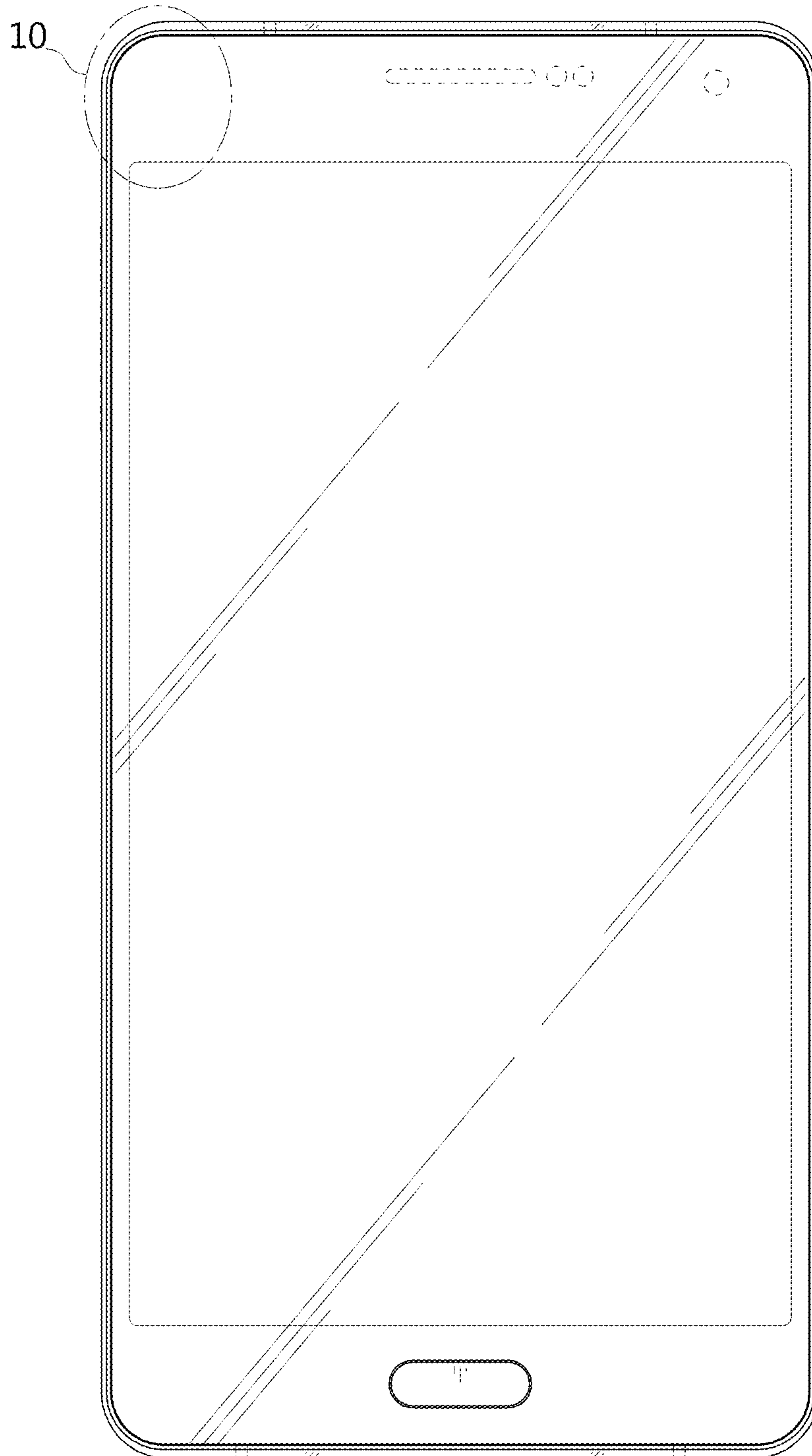


FIG. 3

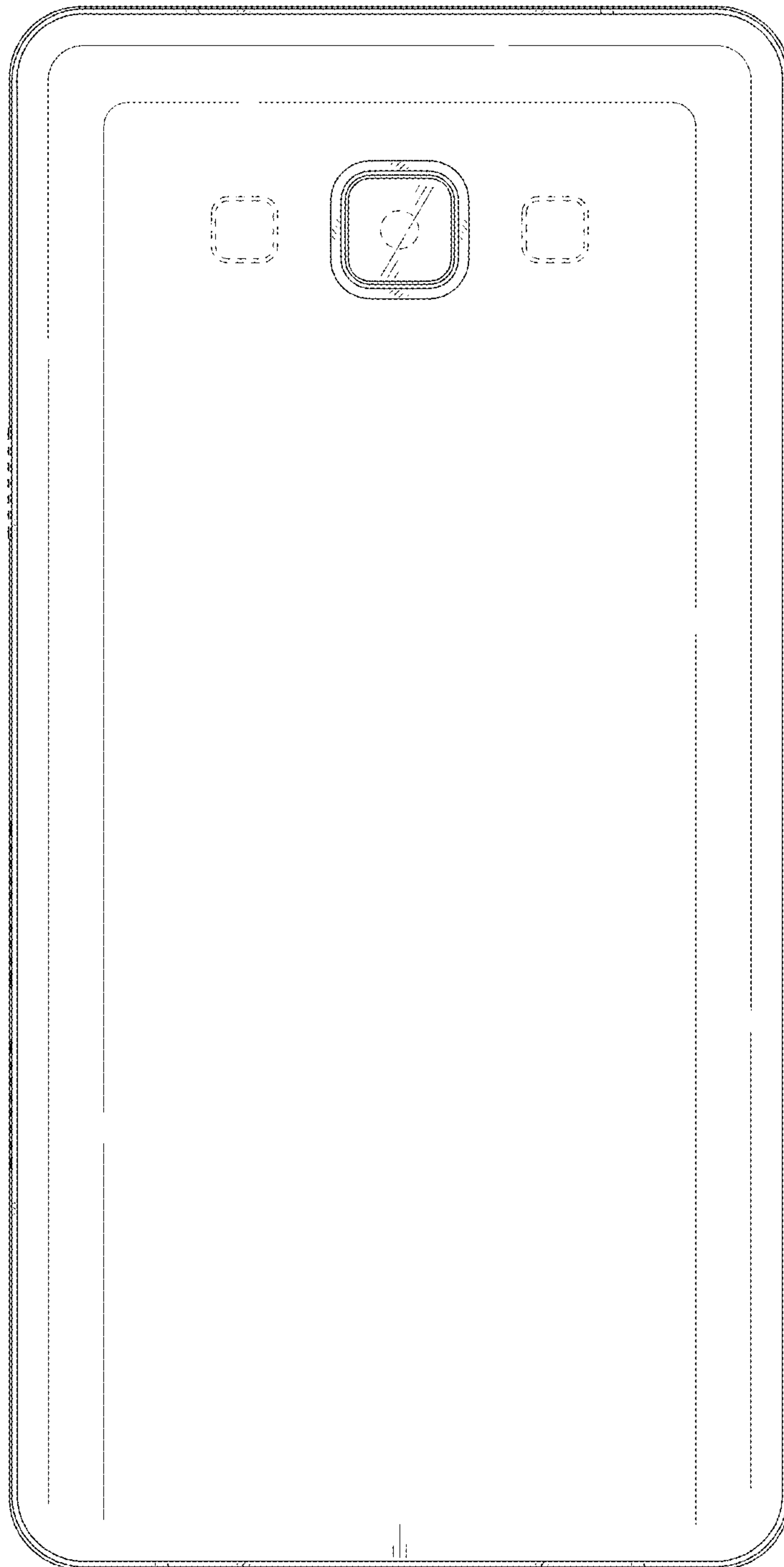


FIG. 4

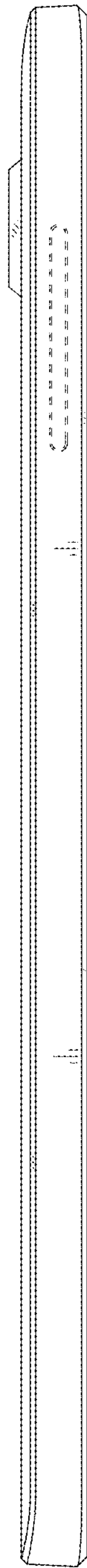


FIG. 5

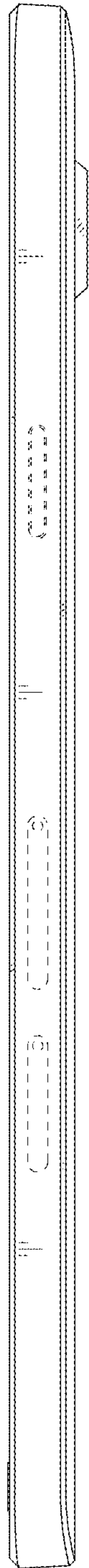


FIG. 6

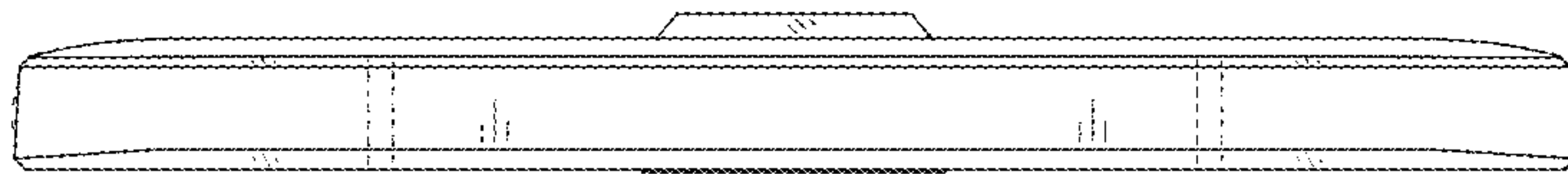


FIG. 7

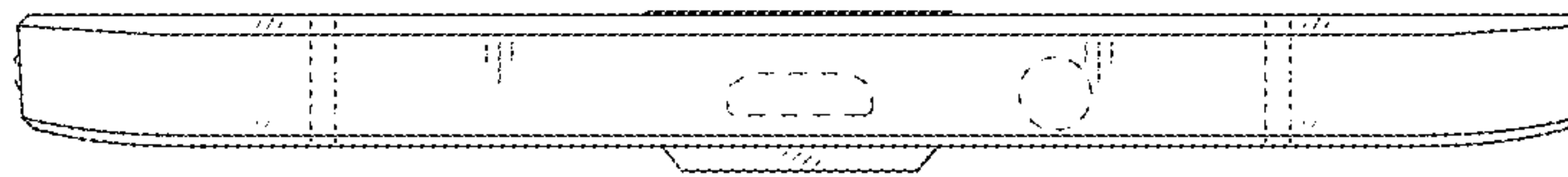


FIG. 8

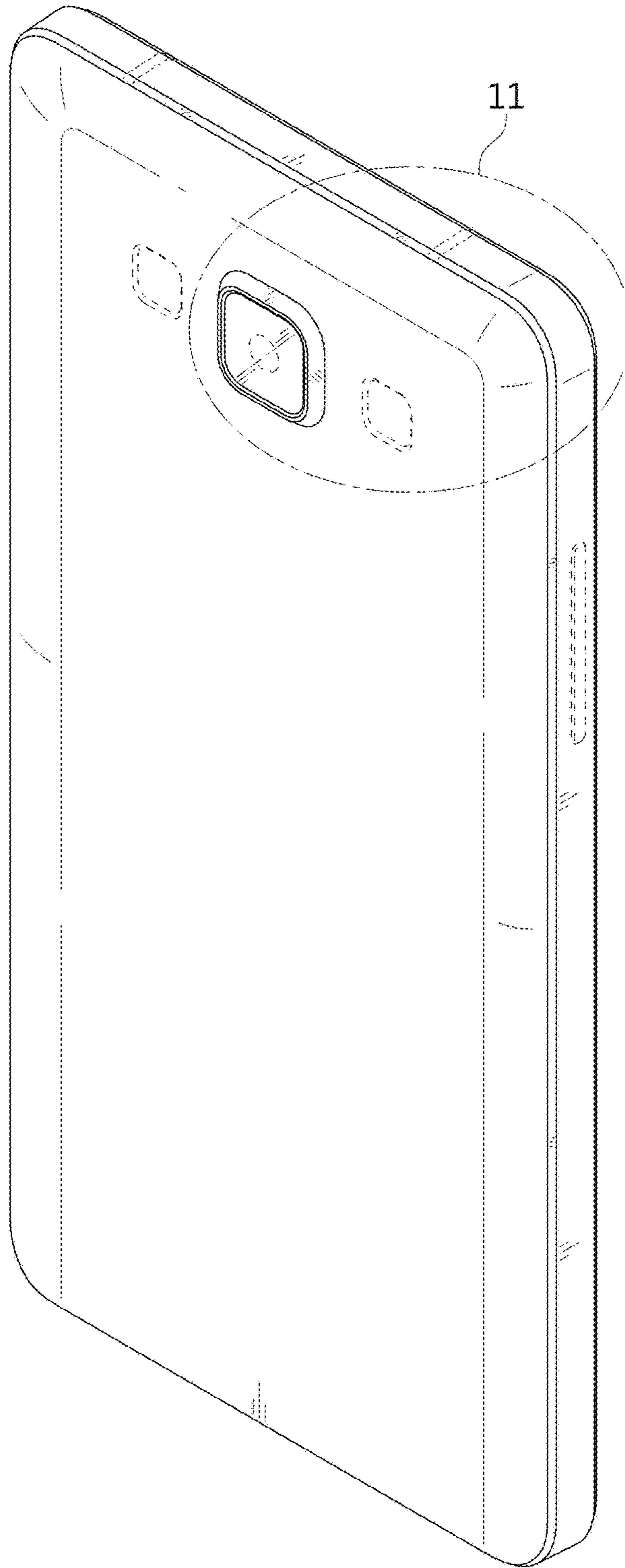


FIG. 9

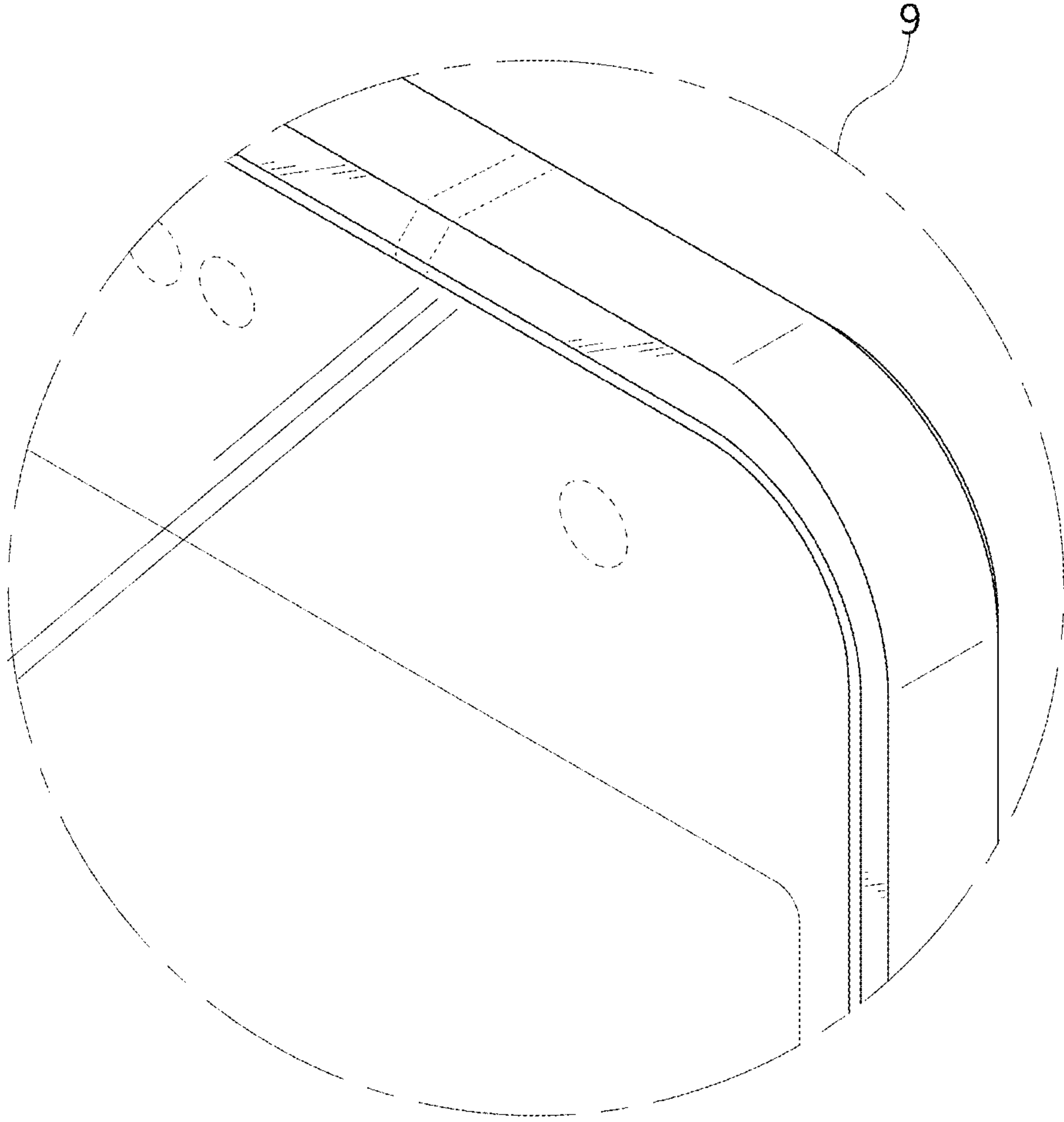


FIG. 10

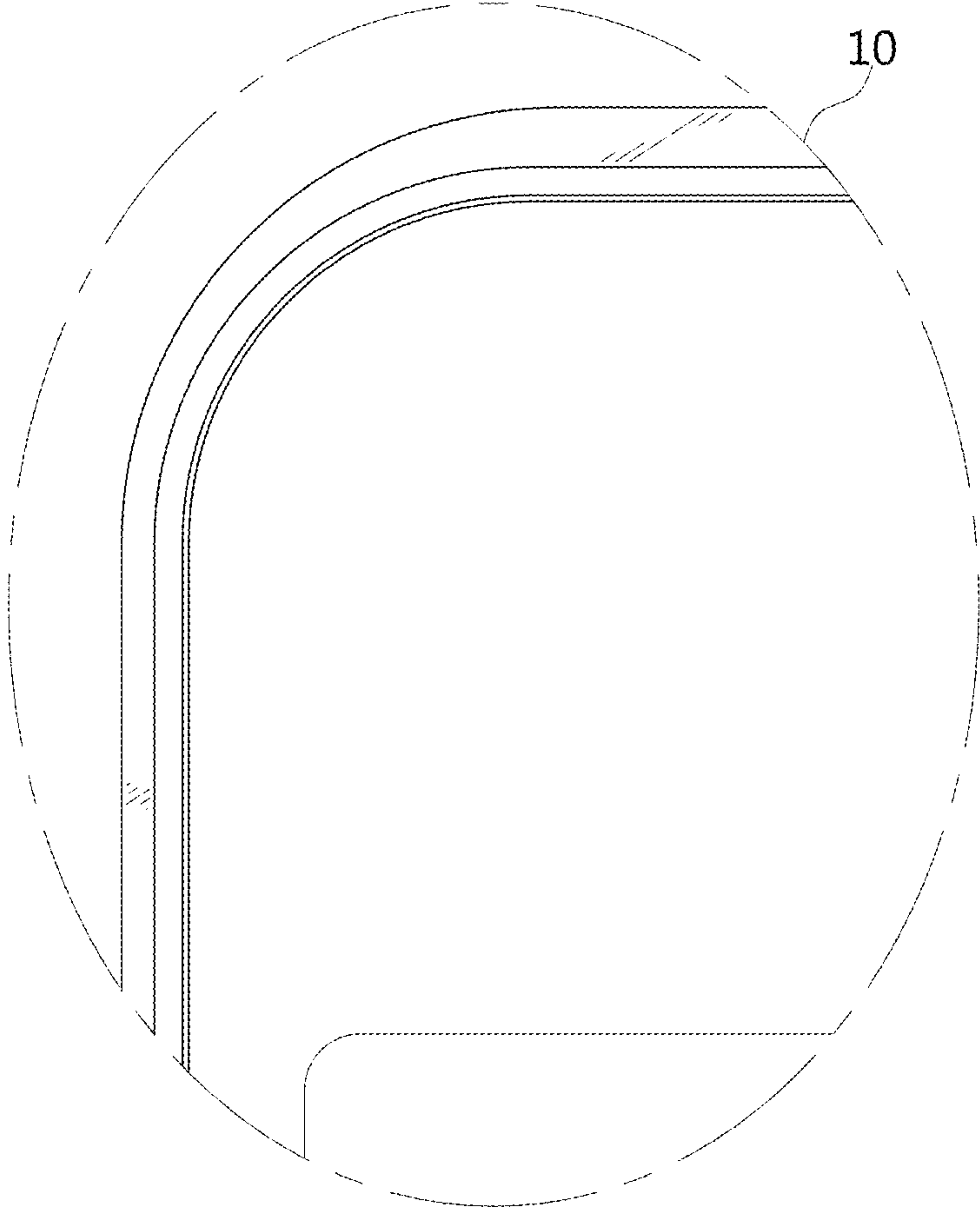


FIG. 11

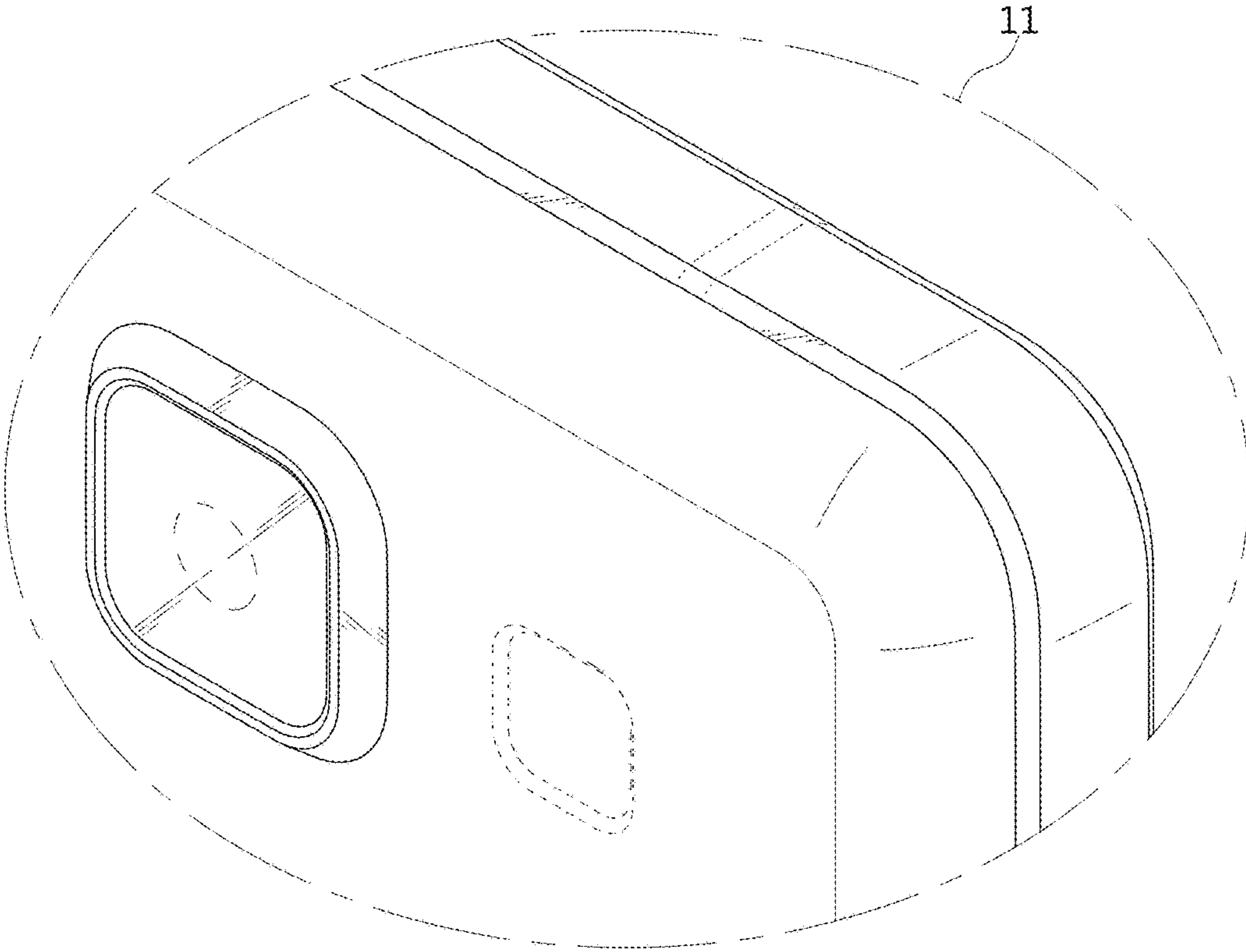


FIG. 12

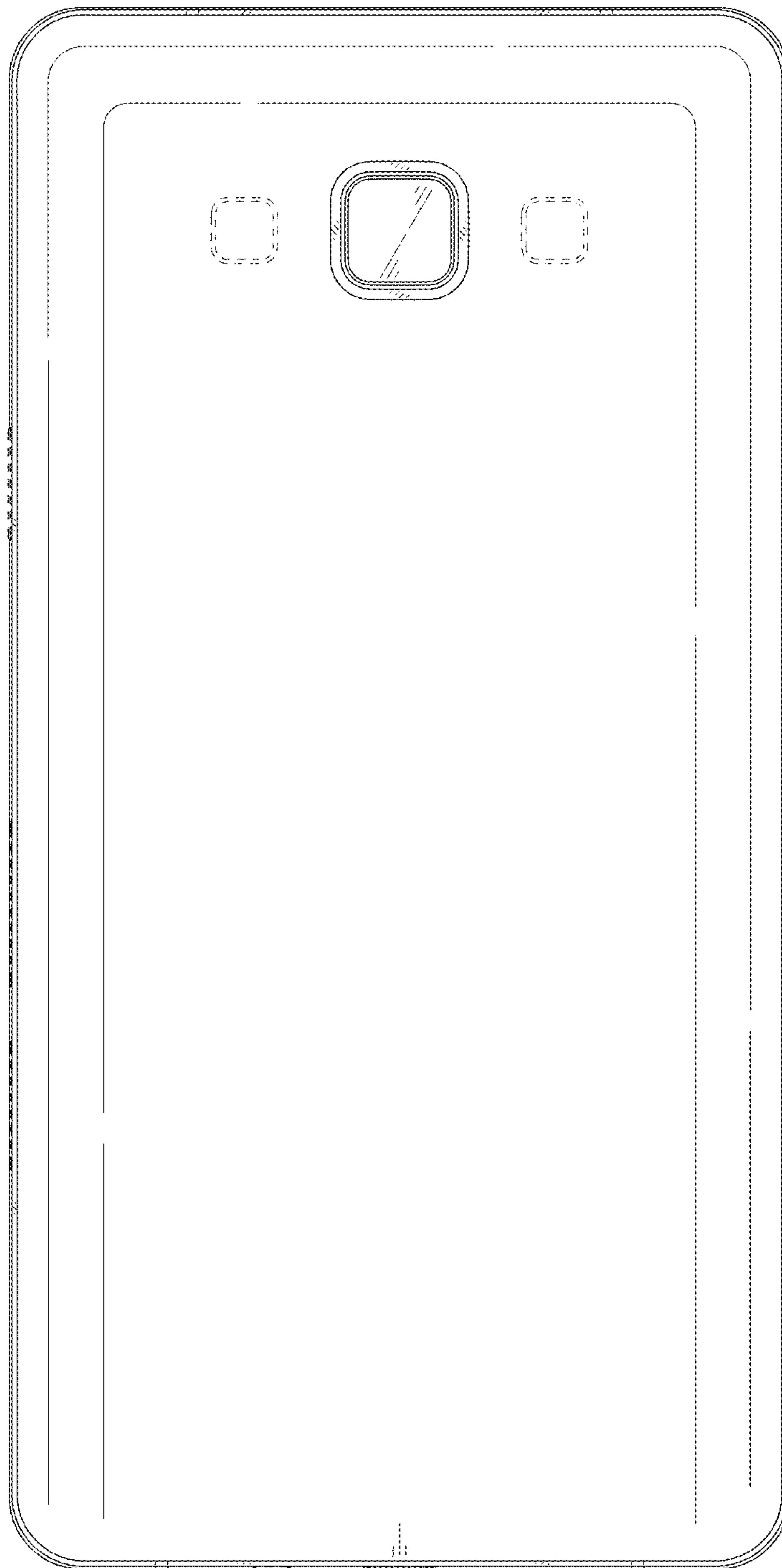


FIG. 13

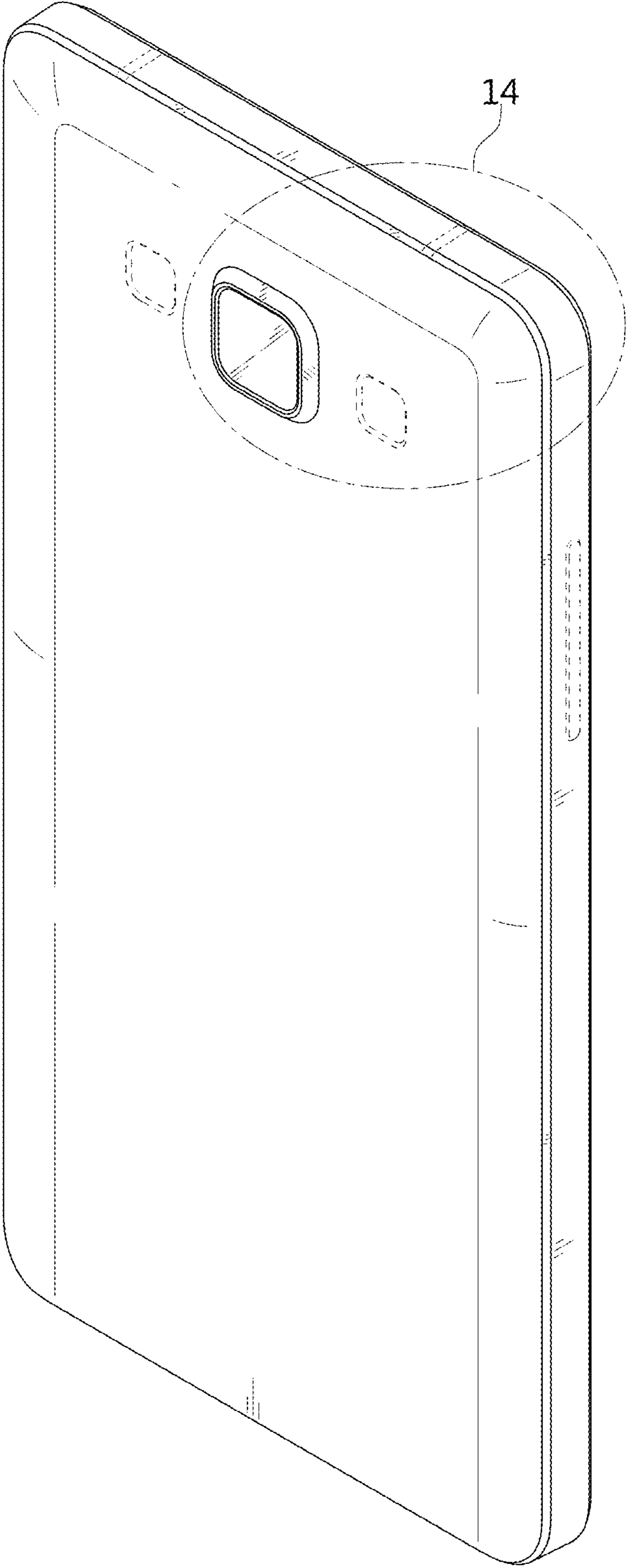


FIG. 14

14

