



US00D780707S

(12) **United States Design Patent**
Bang et al.

(10) **Patent No.:** **US D780,707 S**
(45) **Date of Patent:** **** Mar. 7, 2017**

(54) **TELEVISION RECEIVER**

(71) Applicant: **Samsung Electronics Co., Ltd.**,
Suwon-si (KR)
(72) Inventors: **Sungil Bang**, Seoul (KR); **Chanhee Han**, Seoul (KR); **Chaejoo Son**, Seoul (KR)
(73) Assignee: **Samsung Electronics Co., Ltd.**,
Suwon-si (KR)

(**) Term: **15 Years**

(21) Appl. No.: **29/556,612**

(22) Filed: **Mar. 2, 2016**

(30) **Foreign Application Priority Data**

Sep. 3, 2015 (KR) 30-2015-0044724

(51) **LOC (10) Cl.** **14-03**

(52) **U.S. Cl.**
USPC **D14/126**

(58) **Field of Classification Search**
USPC D14/125-134, 239, 371, 136, 374-377,
D14/440, 450, 448, 336, 342, 159;
312/7.2; 348/836, 838, 180, 184, 325,
348/739; 248/917-924, 465; 345/104,
345/133, 156, 168, 87, 173; D21/329,
D21/515, 577, 622, 333, 433, 448, 452,
D21/450, 331, 505; D10/15, 26;
446/484, 175, 356; D6/477, 479, 300;
D20/10, 19, 39; D16/203, 241; 160/24
CPC G06F 1/1601; G06F 1/1643; G06F 1/1652;
G06F 1/1647; G06F 3/0412; H05K
(Continued)

(56) **References Cited**

U.S. PATENT DOCUMENTS

D373,584 S * 9/1996 Anand D14/126
D545,776 S * 7/2007 Kwon D14/126
D563,914 S * 3/2008 Chiu D14/126
(Continued)

FOREIGN PATENT DOCUMENTS

EM 001103220-0012 3/2009
JP D1470364 4/2013

Primary Examiner — Raphael Barkai
(74) *Attorney, Agent, or Firm* — NSIP Law

(57) **CLAIM**

We claim the ornamental design for a television receiver, as shown and described.

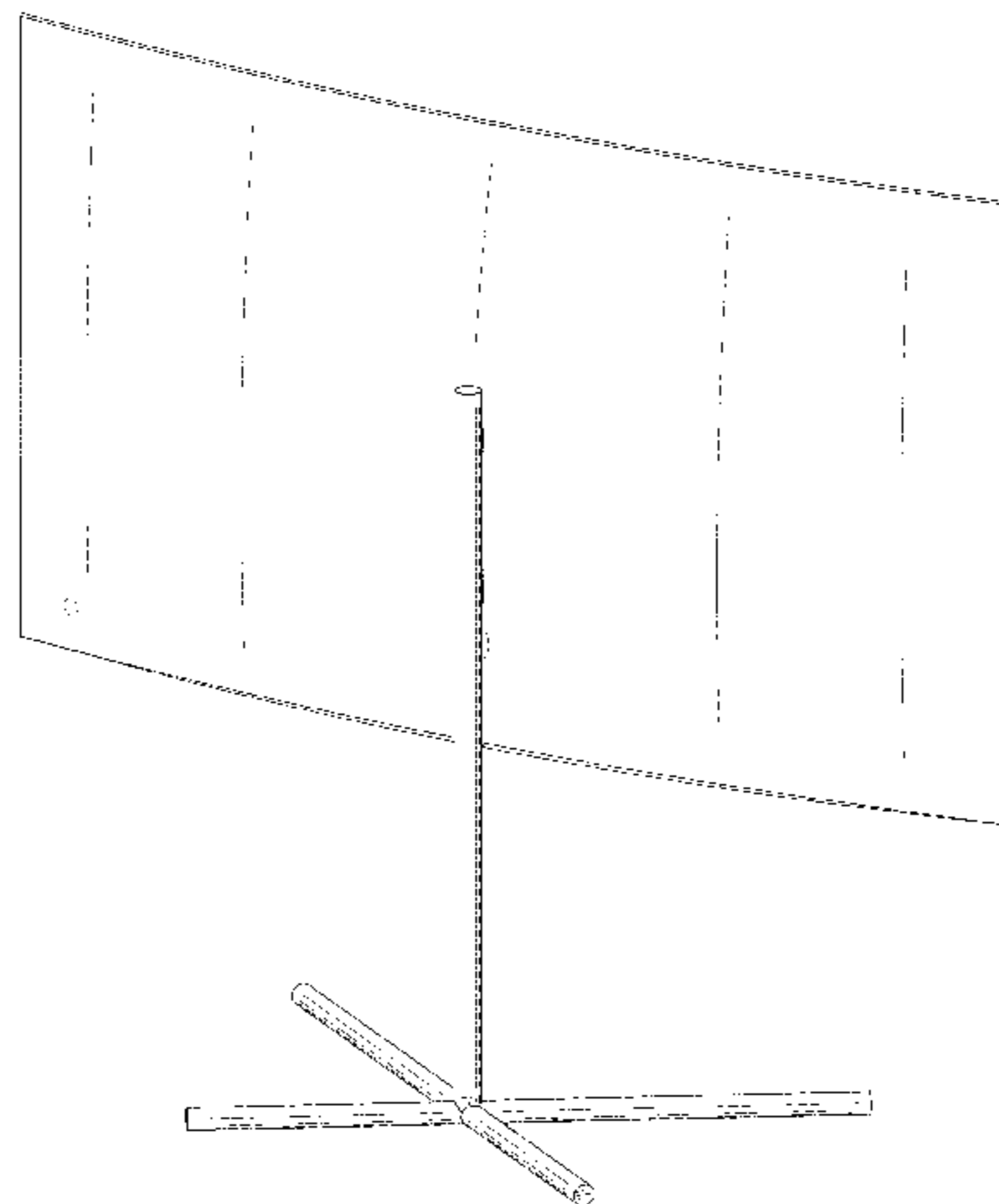
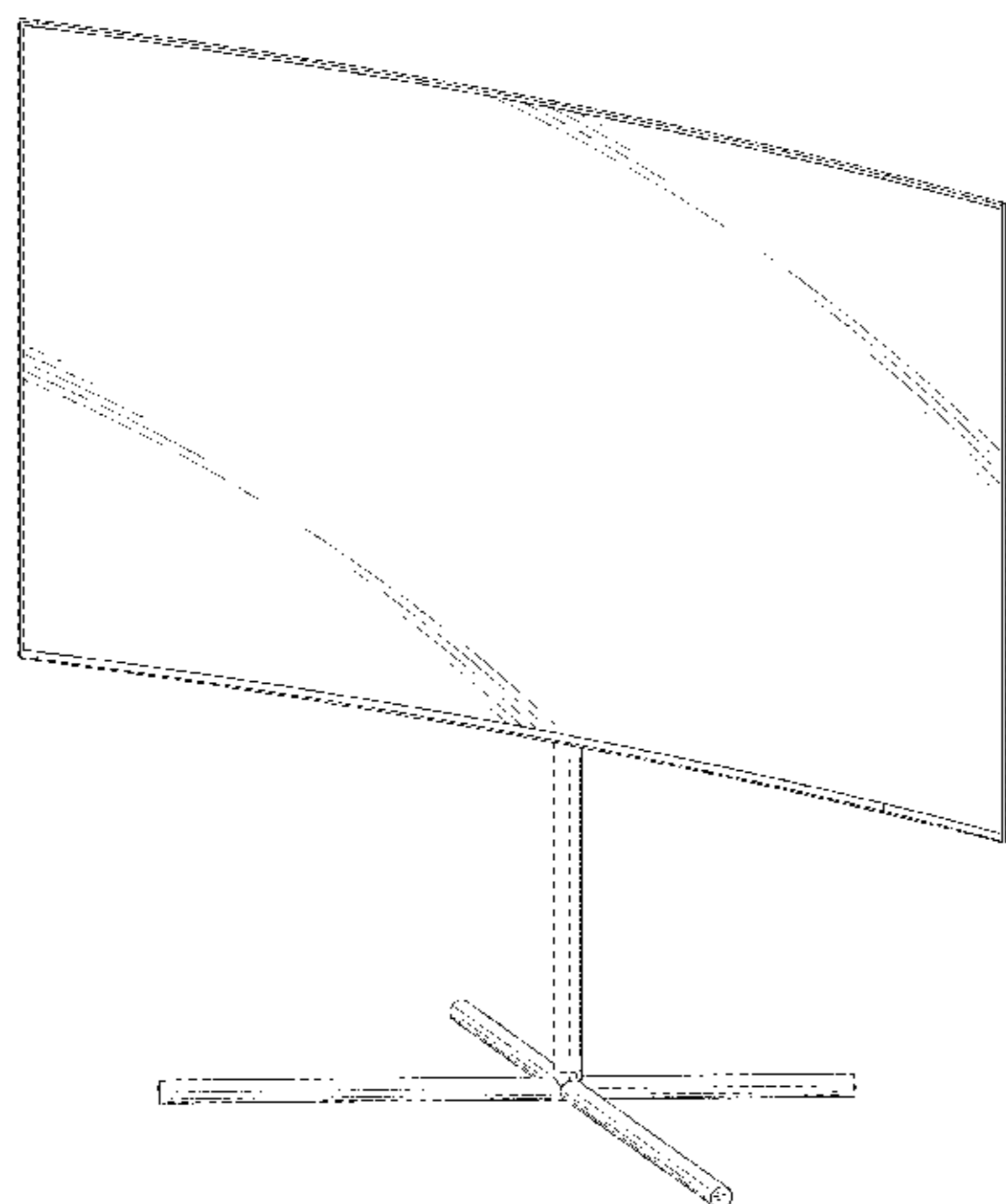
DESCRIPTION

FIG. 1 is a front perspective view of a television receiver showing our new design;
FIG. 2 is a front view thereof;
FIG. 3 is a rear view thereof;
FIG. 4 is a left-side view thereof;
FIG. 5 is a right-side view thereof;
FIG. 6 is a top view thereof;
FIG. 7 is a bottom view thereof;
FIG. 8 is a rear perspective view thereof;
FIG. 9 is a front perspective view of the television receiver shown in an alternate position;
FIG. 10 is an enlarged view of the encircled portion 10 as illustrated in FIG. 5;
FIG. 11 is an enlarged view of the encircled portion 11 as illustrated in FIG. 5; and
FIG. 12 is an enlarged view of the encircled portion 12 as illustrated in FIG. 3.

The short dash-dash broken lines in the figures depict environmental subject matter and form no part of the claimed design.

The dot-dot-dash broken lines encircling portions of the claimed design that are illustrated in enlargements form no part of the claimed design.

1 Claim, 11 Drawing Sheets



(58) **Field of Classification Search**

CPC 5/0004; H05K 5/0017; H05K 5/02; H05K
5/0217; H04N 13/0459

See application file for complete search history.

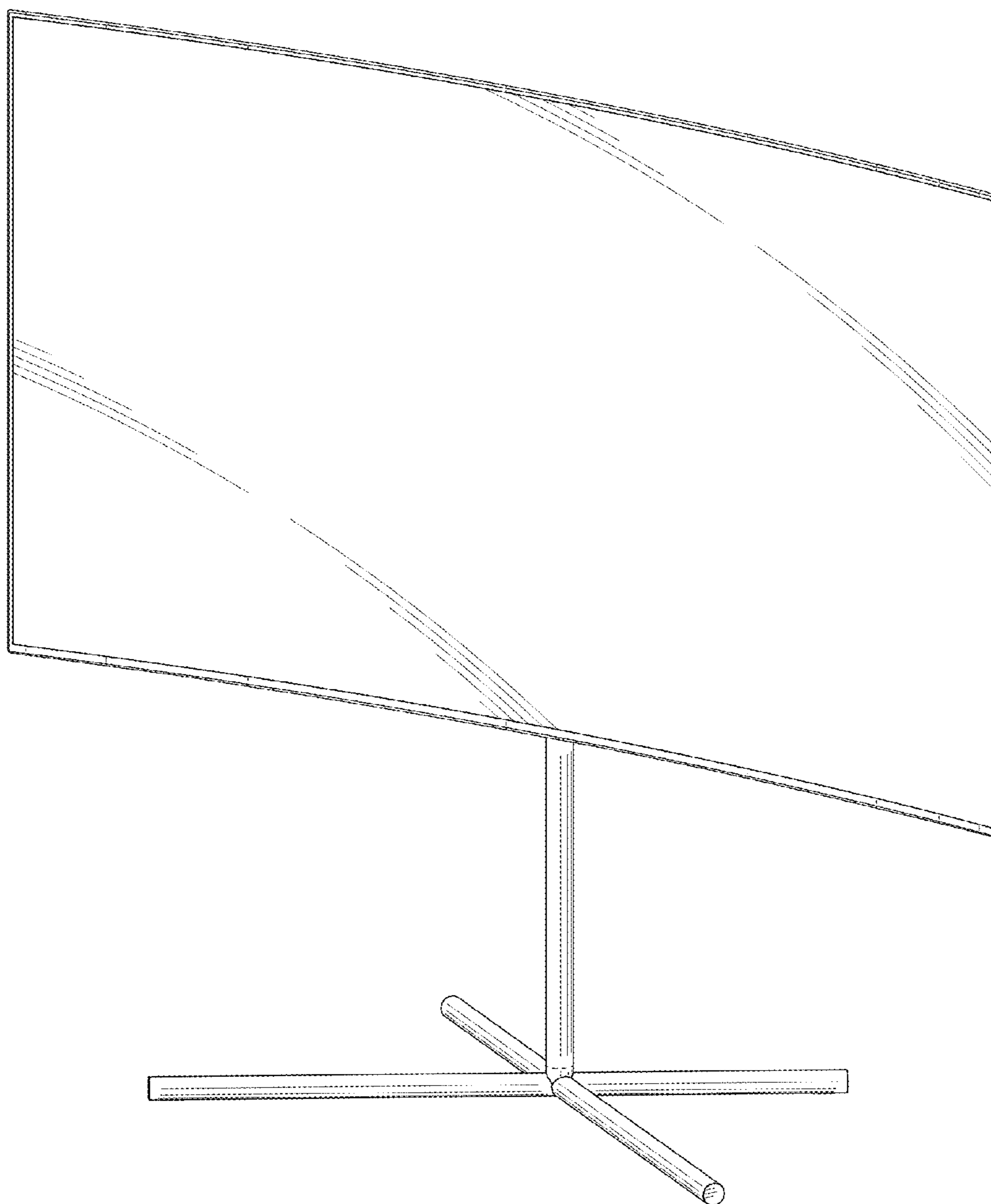
(56) **References Cited**

U.S. PATENT DOCUMENTS

D599,755	S	*	9/2009	Jin	D14/126
D624,895	S	*	10/2010	Kasuga	D14/126
D626,101	S	*	10/2010	Kim	D14/126
D659,663	S		5/2012	Xu et al.		
D671,083	S	*	11/2012	Kim	D14/126
D677,638	S	*	3/2013	Kim	D14/126
D682,271	S	*	5/2013	Kim	D14/374
D709,842	S	*	7/2014	Lee	D14/126
D711,333	S	*	8/2014	Kim	D14/126
D720,315	S	*	12/2014	Kim	D14/126
D725,616	S	*	3/2015	Oh	D14/126
D734,280	S	*	7/2015	Choi	D14/126
D758,983	S	*	6/2016	Kim	D14/126
D763,213	S	*	8/2016	Ann	D14/126
2003/0058372	A1	*	3/2003	Williams	F16M 11/18 348/836

* cited by examiner

FIG. 1



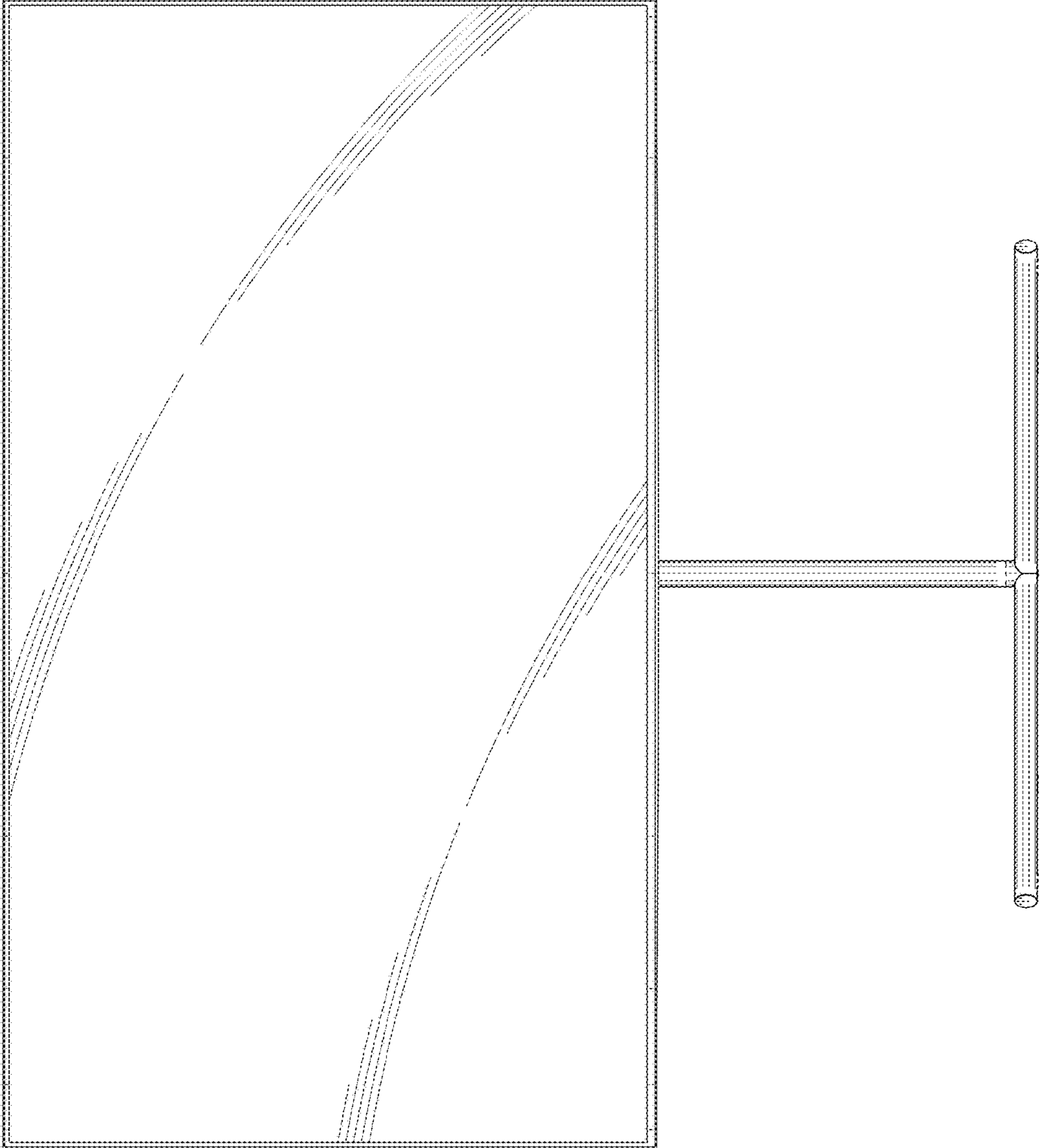


FIG. 2

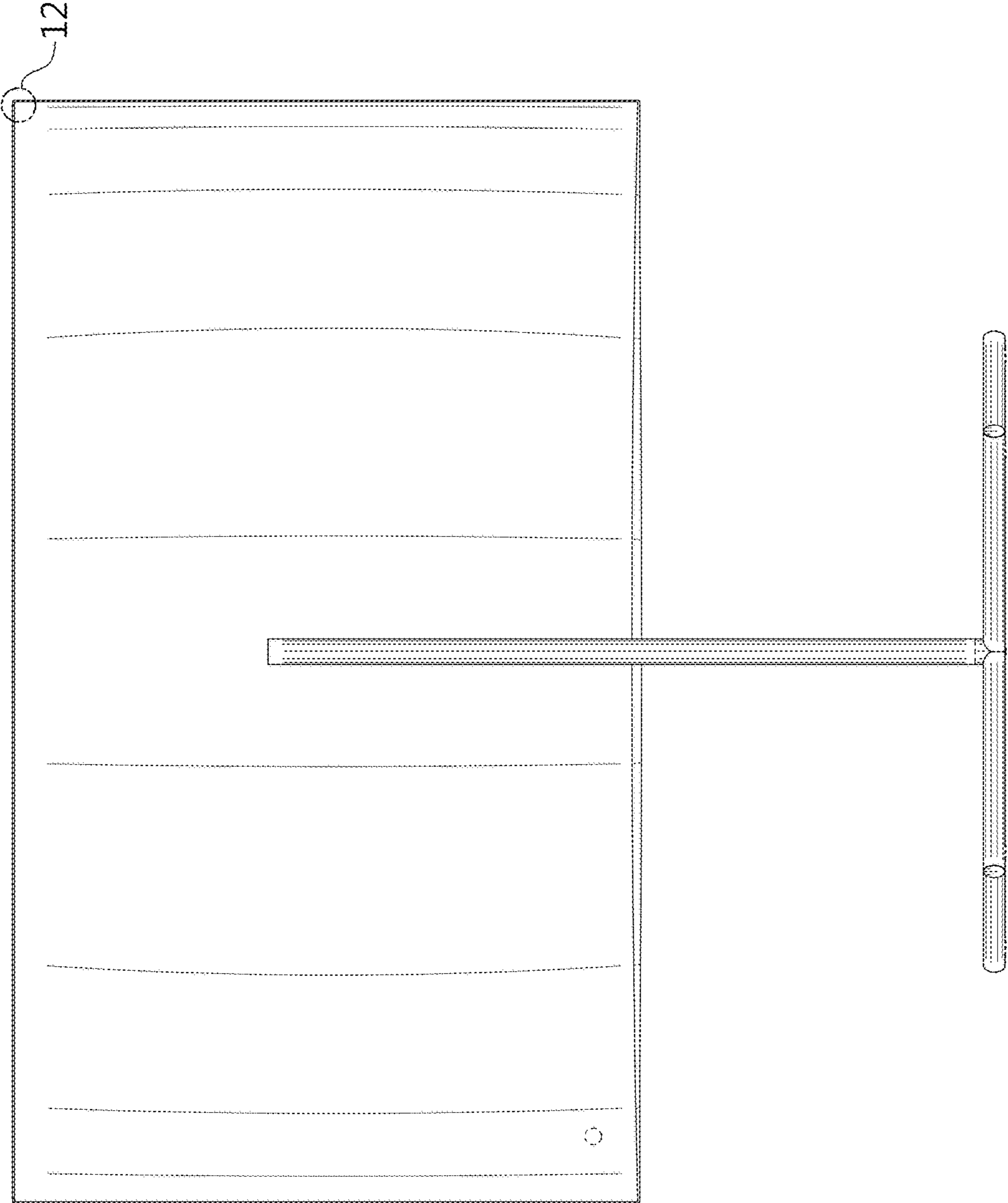


FIG. 3

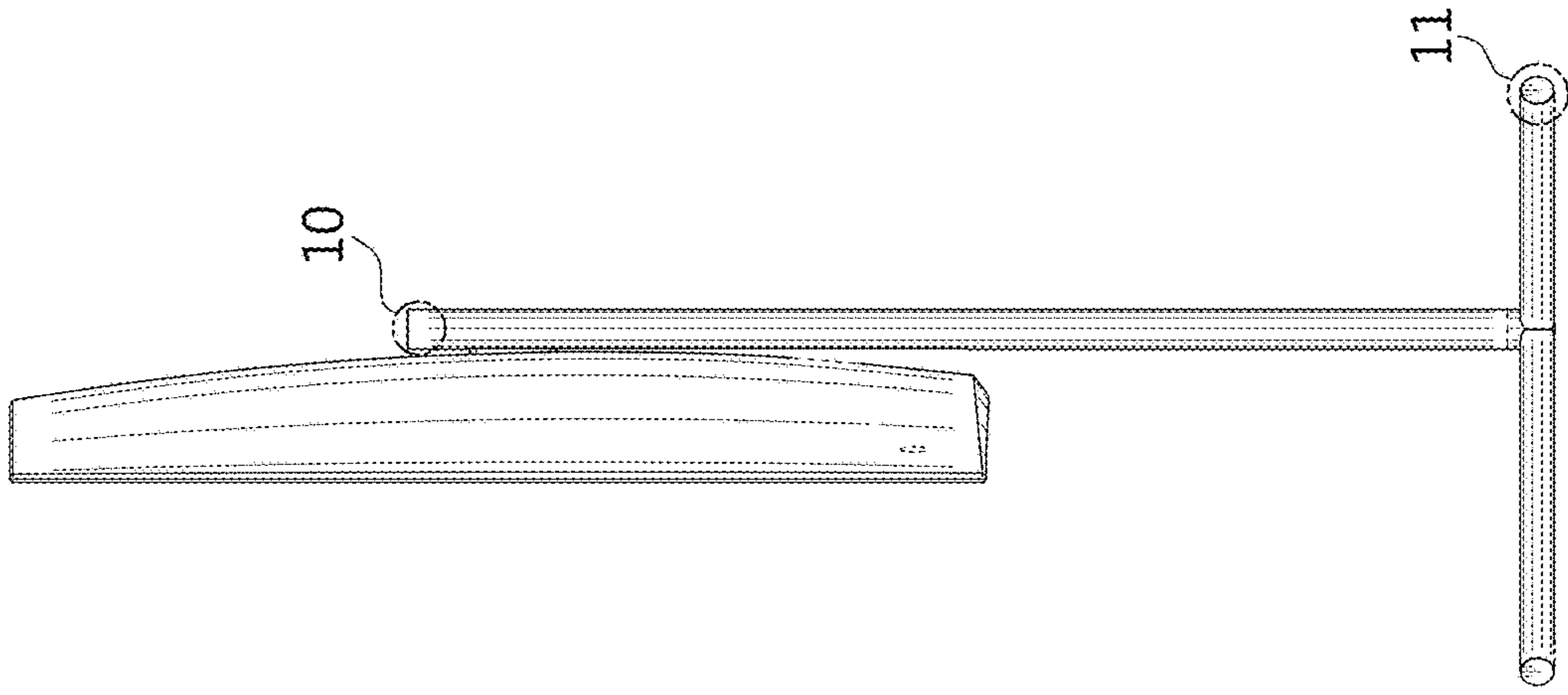


FIG. 5

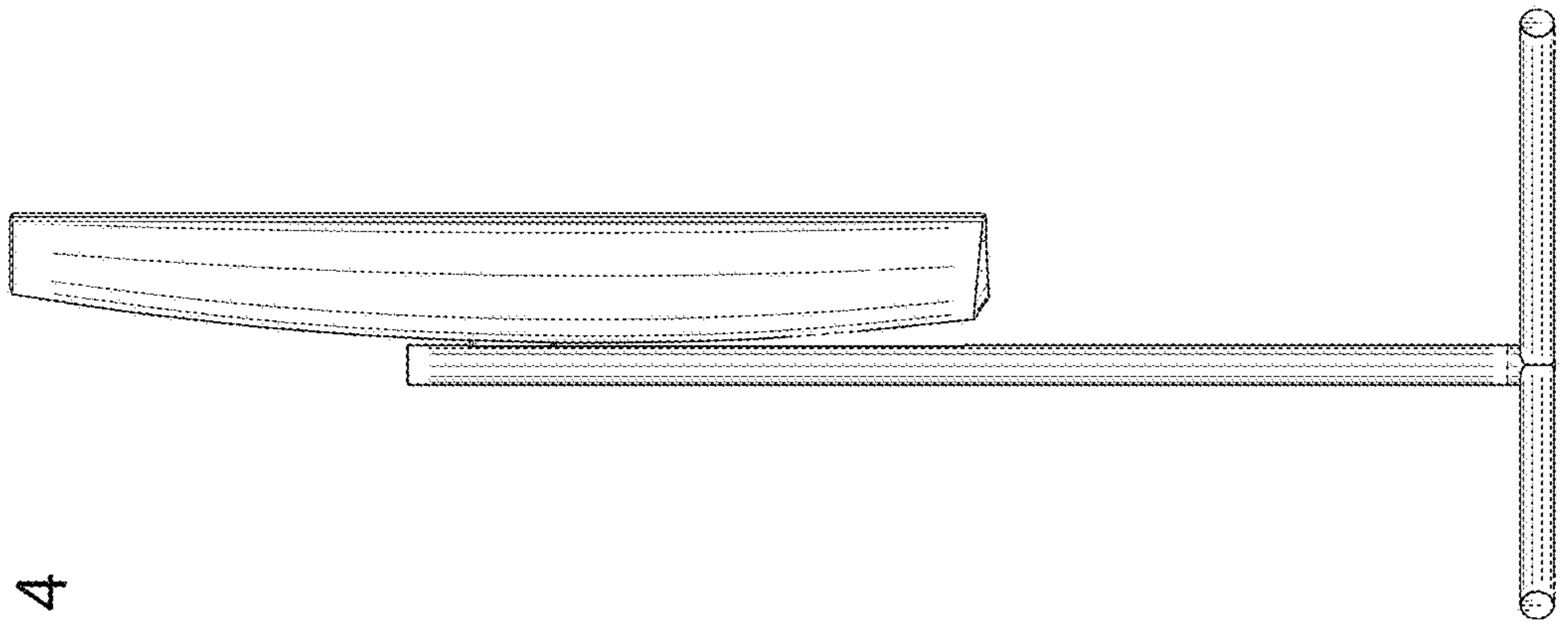


FIG. 4

FIG. 6

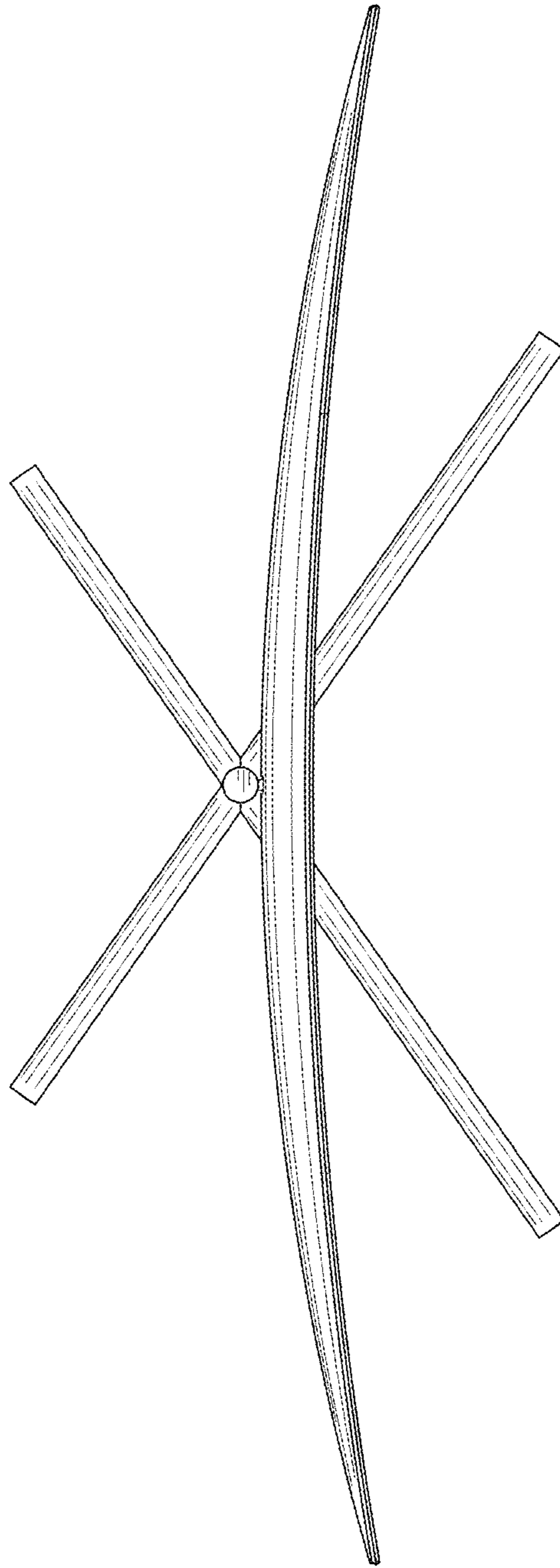


FIG. 7

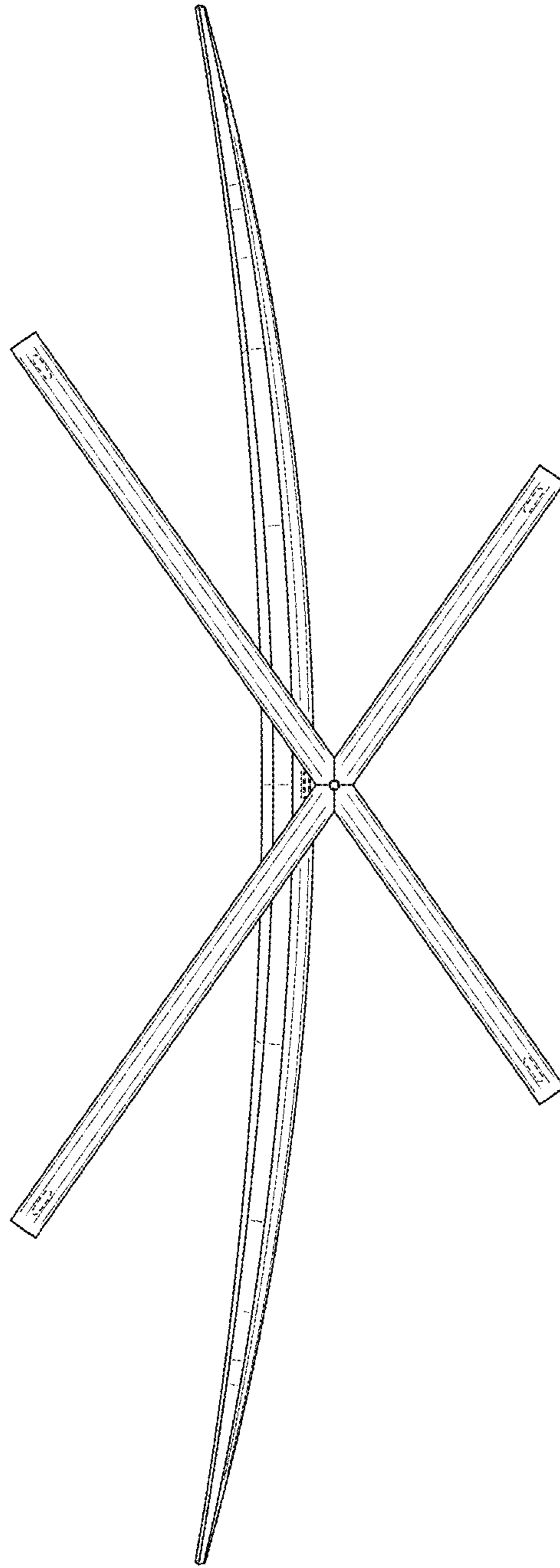


FIG. 8

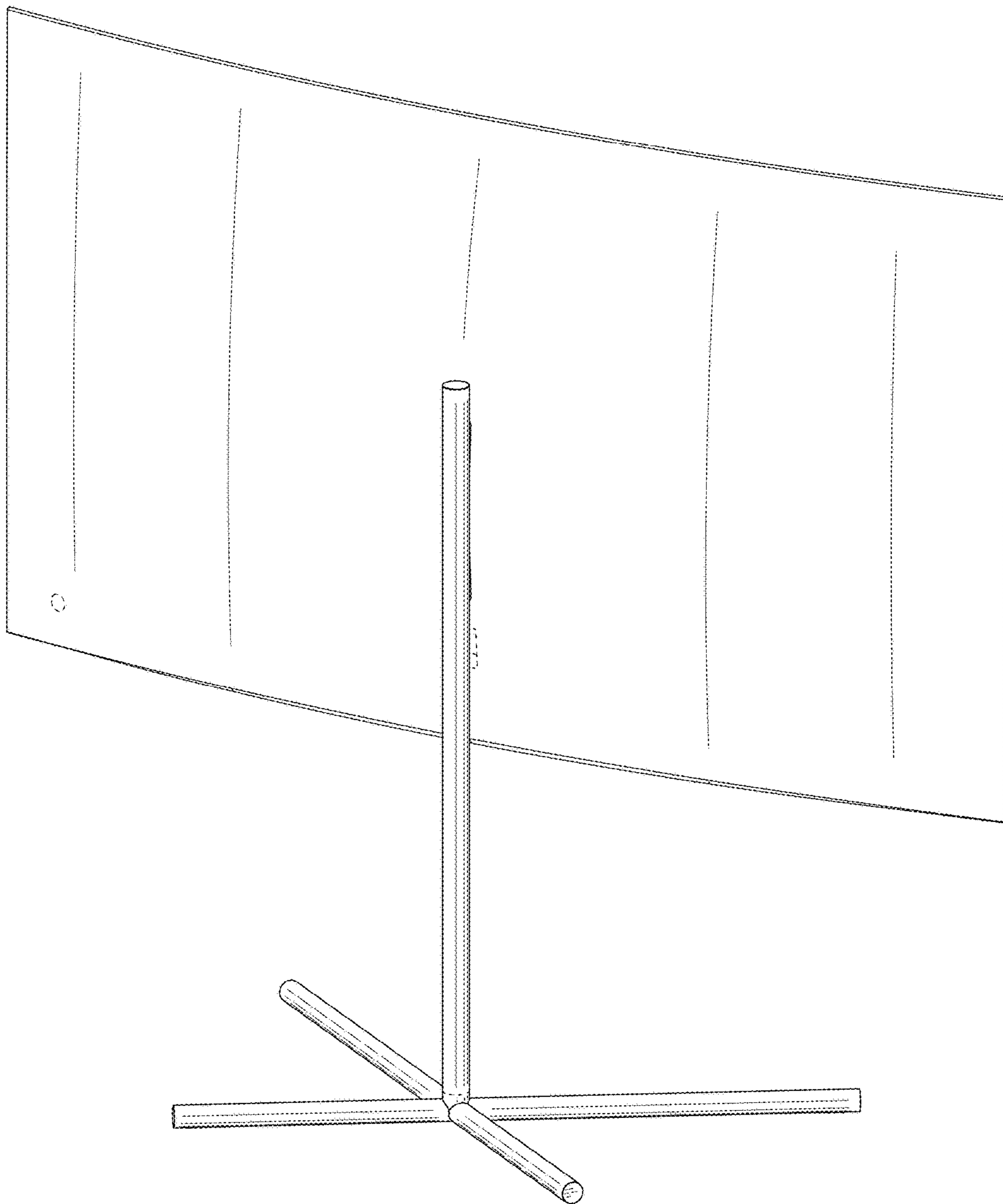


FIG. 9

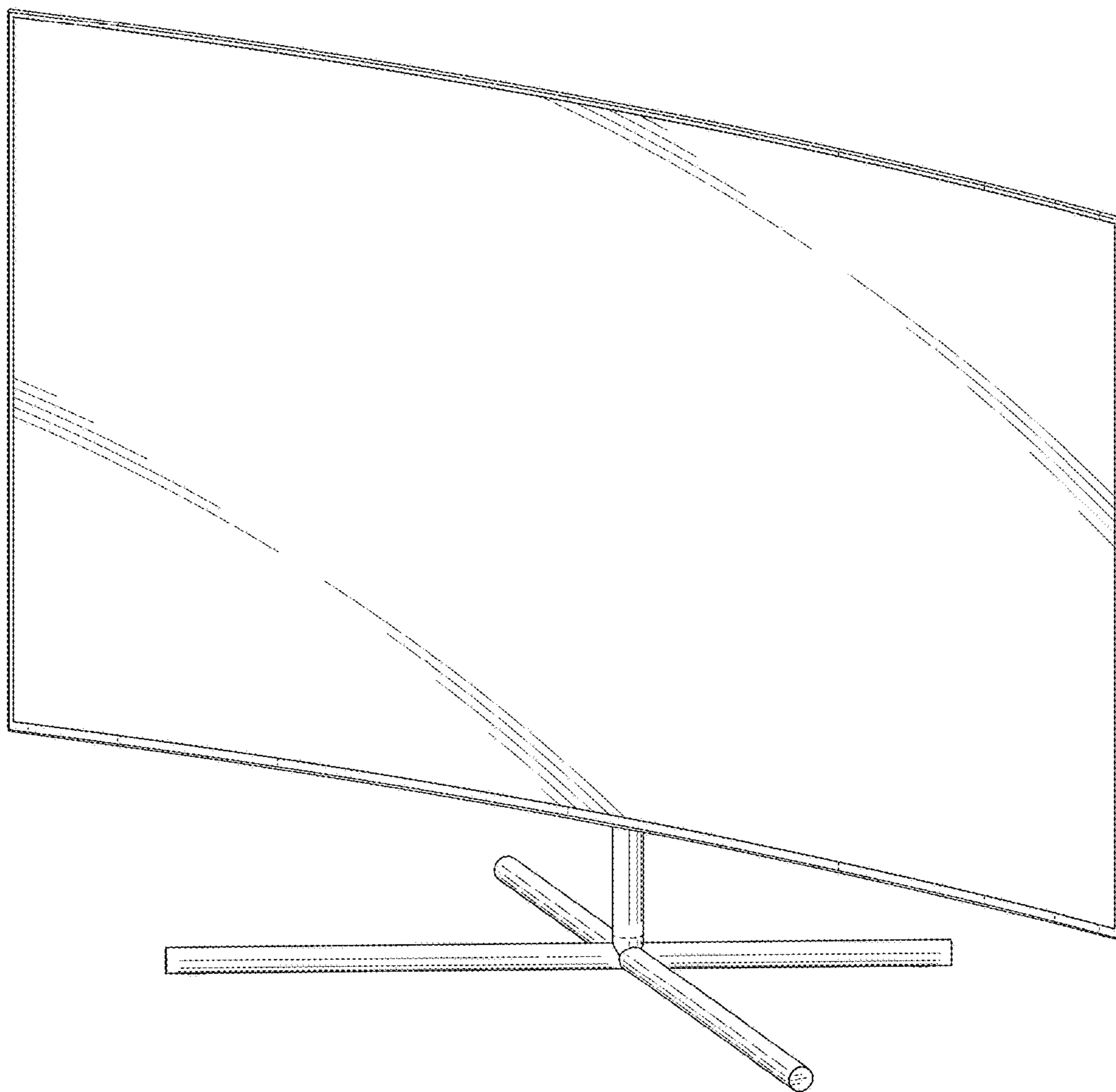


FIG. 10

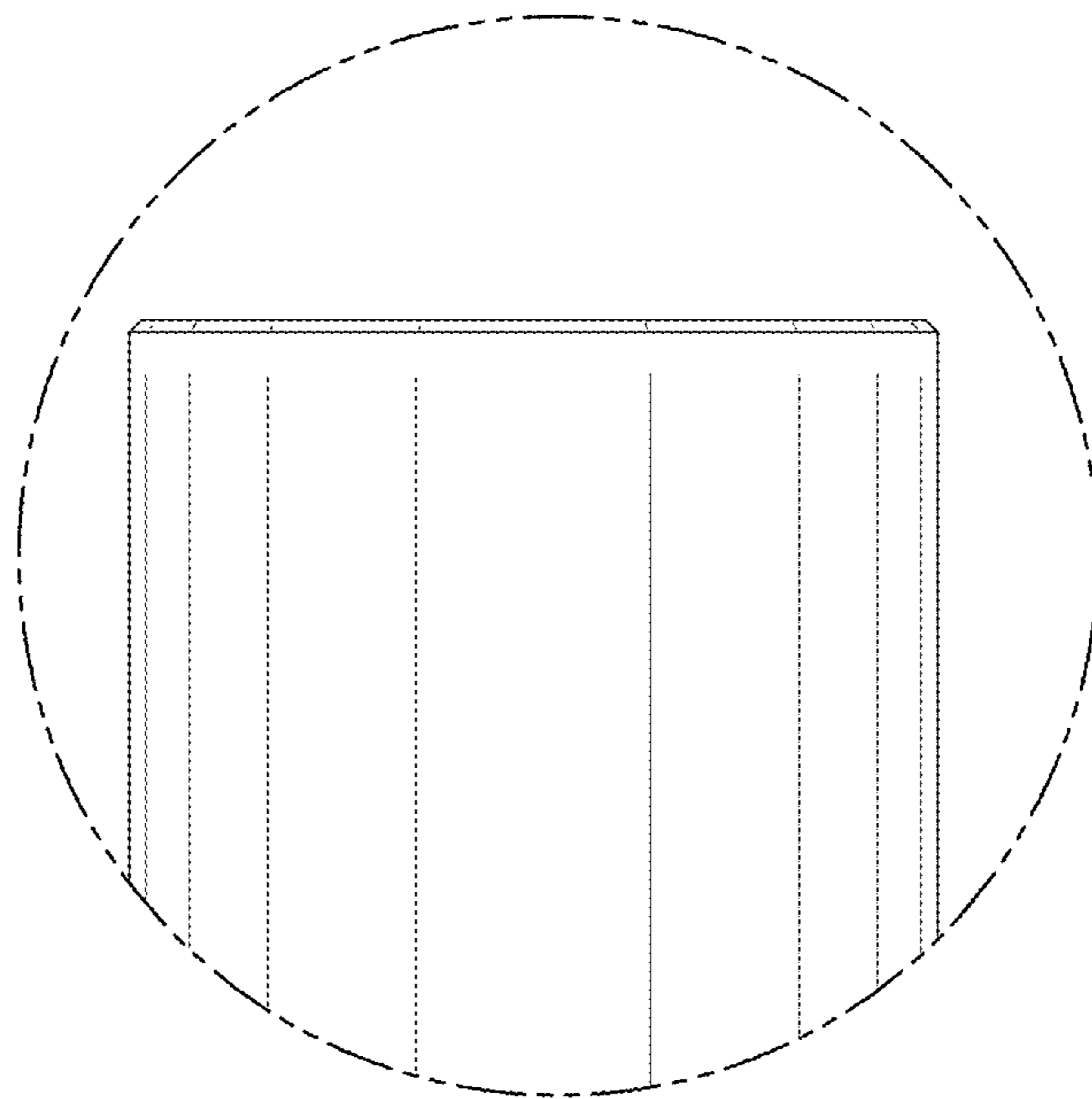


FIG. 11

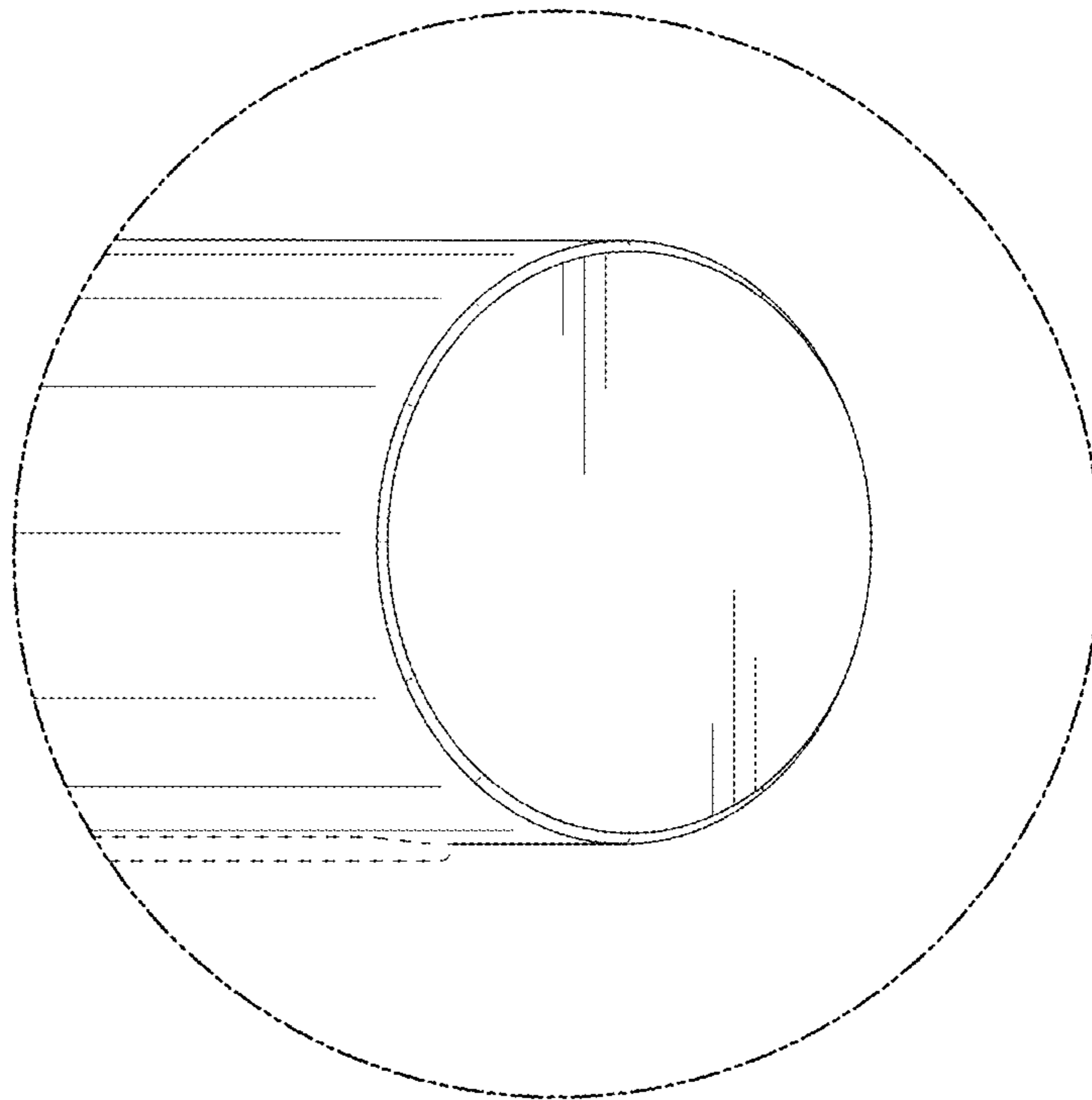


FIG. 12

