



US00D780703S

(12) **United States Design Patent**
Bergum

(10) **Patent No.:** **US D780,703 S**

(45) **Date of Patent:** **** Mar. 7, 2017**

- (54) **CONTROL PANEL COVER**
- (71) Applicant: **S.J. Electro Systems, Inc.**, Detroit Lakes, MN (US)
- (72) Inventor: **Alan J. Bergum**, Detroit Lakes, MN (US)
- (73) Assignee: **S.J. Electro Systems, Inc.**, Detroit Lakes, MN (US)

- 4,365,108 A * 12/1982 Bright H05K 5/03 174/37
- D271,970 S * 12/1983 Velsher D13/184
- 4,556,080 A * 12/1985 Picaud E03B 9/06 137/296
- D298,031 S * 10/1988 Channell D13/184
- D301,478 S * 6/1989 Yankoff D15/7
- D305,420 S * 1/1990 Bujak, Jr. D13/162
- D314,182 S * 1/1991 Moerman D13/152
- D345,145 S * 3/1994 Fogg D10/103

(Continued)

(**) Term: **14 Years**

(21) Appl. No.: **29/506,733**

(22) Filed: **Oct. 20, 2014**

(51) **LOC (10) Cl.** **13-03**

(52) **U.S. Cl.**
USPC **D13/177; D13/184**

(58) **Field of Classification Search**
USPC D13/152, 158, 173, 177, 184; D15/7; 174/501, 50.5, 50.51
CPC H02B 1/50; H02G 3/0493; H02G 3/08; H02G 3/081; H02G 3/088; H02G 3/10; H02G 3/14; H02G 3/121; H05K 5/00; H05K 5/02; H05K 5/0204; H05K 5/0234; H05K 5/03; H05K 5/06; H05K 5/061; Y10T 137/7021

See application file for complete search history.

(56) **References Cited**

U.S. PATENT DOCUMENTS

- D127,156 S * 5/1941 Koons D13/177
- 3,226,881 A * 1/1966 Garrett A01G 13/04 47/30
- D210,286 S * 2/1968 Venema 138/155
- 3,868,040 A * 2/1975 Langmack, Jr. E04H 5/04 174/37
- 4,158,102 A * 6/1979 Bright H02G 9/10 174/37

OTHER PUBLICATIONS

“EZ Series Plugger Panel and Simplex Panel,” SJE-Rhombus®, 2 pages (© SJE-Rhombus Feb. 2010).

(Continued)

Primary Examiner — Selina Sikder

(74) *Attorney, Agent, or Firm* — Dicke, Billig & Czaja, PLLC

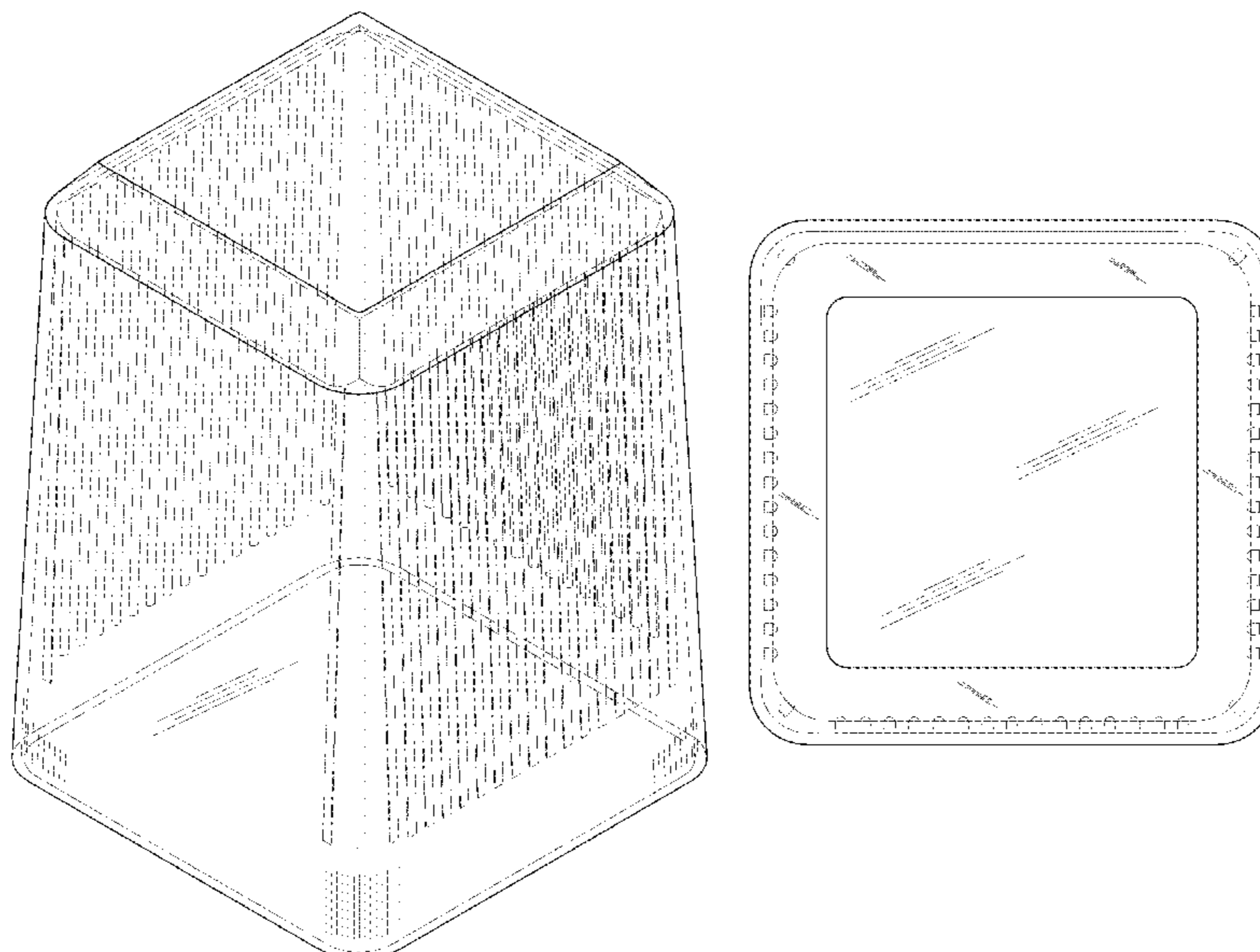
(57) **CLAIM**

The ornamental design for a control panel cover, as shown and described.

DESCRIPTION

FIG. 1 is a perspective view of a control panel cover showing my new design;
 FIG. 2 is a front view thereof;
 FIG. 3 is a rear view thereof;
 FIG. 4 is a left view thereof;
 FIG. 5 is a right view thereof;
 FIG. 6 is a top view thereof;
 FIG. 7 is a bottom view thereof;
 FIG. 8 is a cross sectional view taken along line 8-8 of FIG. 2; and,
 FIG. 9 is a cross sectional view taken along line 9-9 of FIG. 2.

1 Claim, 9 Drawing Sheets



(56)

References Cited

U.S. PATENT DOCUMENTS

5,394,898 A * 3/1995 Turner E02D 29/14
137/364
D374,658 S * 10/1996 Bever D13/171
D386,952 S * 12/1997 Jasso, Jr. D13/184
D428,602 S * 7/2000 Taylor D13/156
D430,849 S * 9/2000 Leschinger D13/152
D430,865 S * 9/2000 Cosley D13/184
6,218,614 B1 * 4/2001 Kern H01H 50/02
174/50
6,362,419 B1 * 3/2002 Gallagher H02G 9/10
174/37
6,474,358 B1 * 11/2002 Malkvist E03B 9/06
137/296
6,518,499 B1 * 2/2003 Kessler F16M 5/00
174/37
6,536,462 B1 * 3/2003 Laugen E03B 9/06
137/15.17
6,624,990 B1 * 9/2003 Lortscher H01H 9/04
361/42

6,749,080 B1 * 6/2004 White E03B 7/095
137/371
7,491,884 B2 * 2/2009 Schmidt H05K 5/061
174/564
D637,208 S * 5/2011 Zauner D15/7
8,511,336 B1 * 8/2013 Schumacher F16K 35/10
137/343
9,161,463 B2 * 10/2015 Takamura H01R 12/721
9,297,186 B2 * 3/2016 Chen E05C 1/12
2007/0012473 A1 * 1/2007 Yapp H02G 3/081
174/135
2008/0093098 A1 * 4/2008 Golbin H02G 3/081
174/50
2015/0122618 A1 * 5/2015 Arnst H01H 9/287
200/43.14

OTHER PUBLICATIONS

“Observer 100” Series Pedestal Alarm, SPI Septic Products, Inc., 2 pages.

* cited by examiner

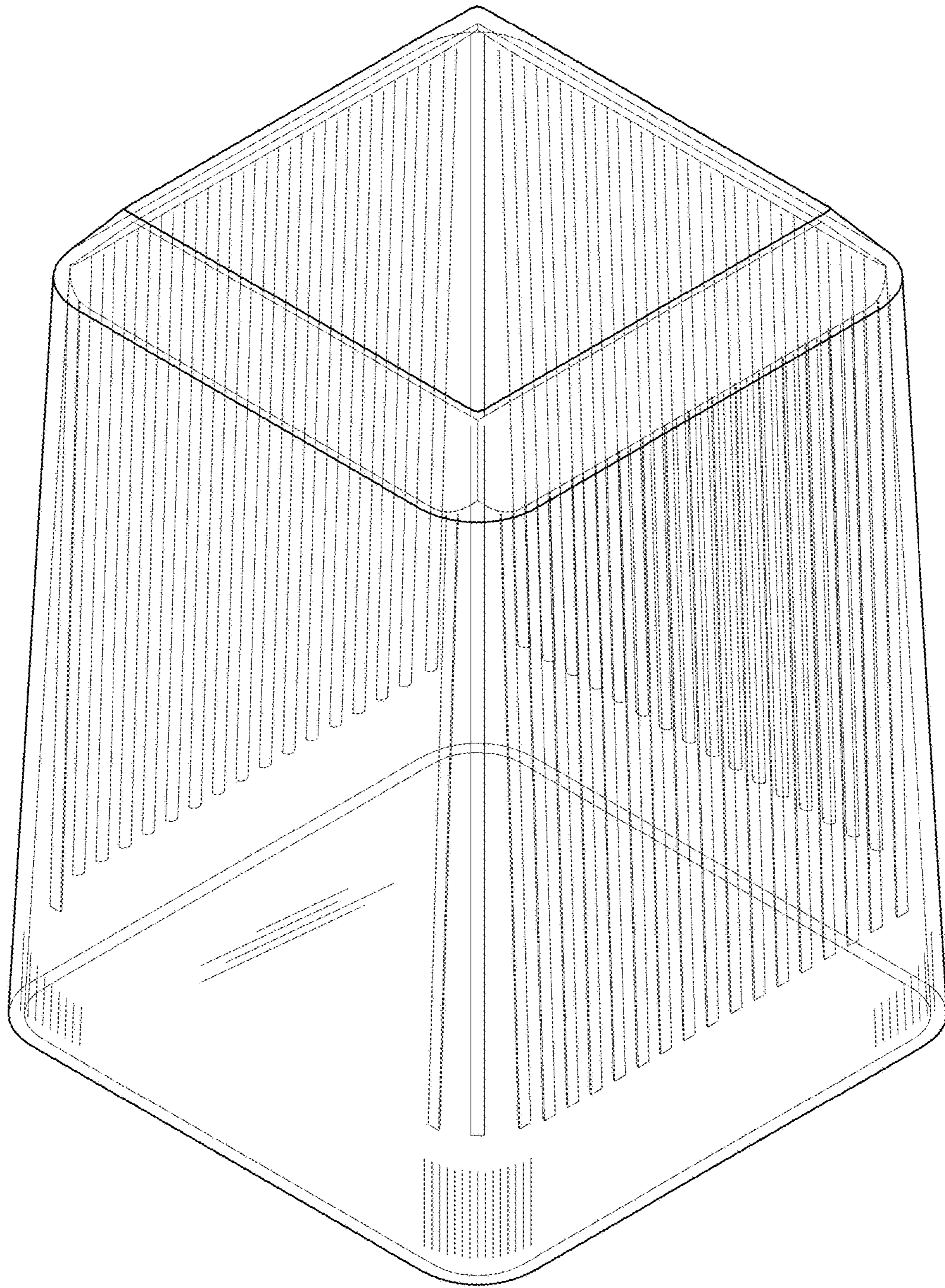


FIG. 1

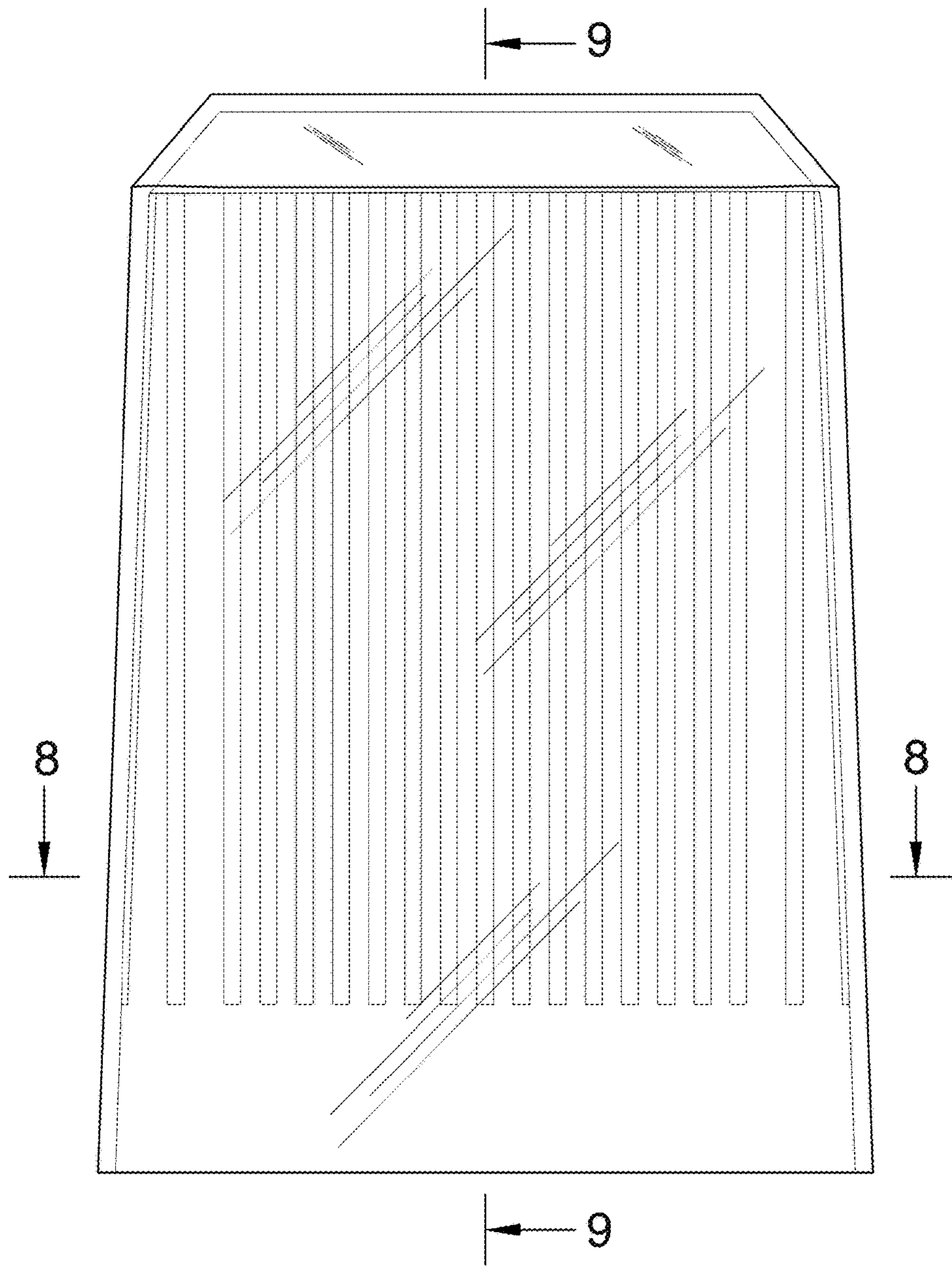


FIG. 2

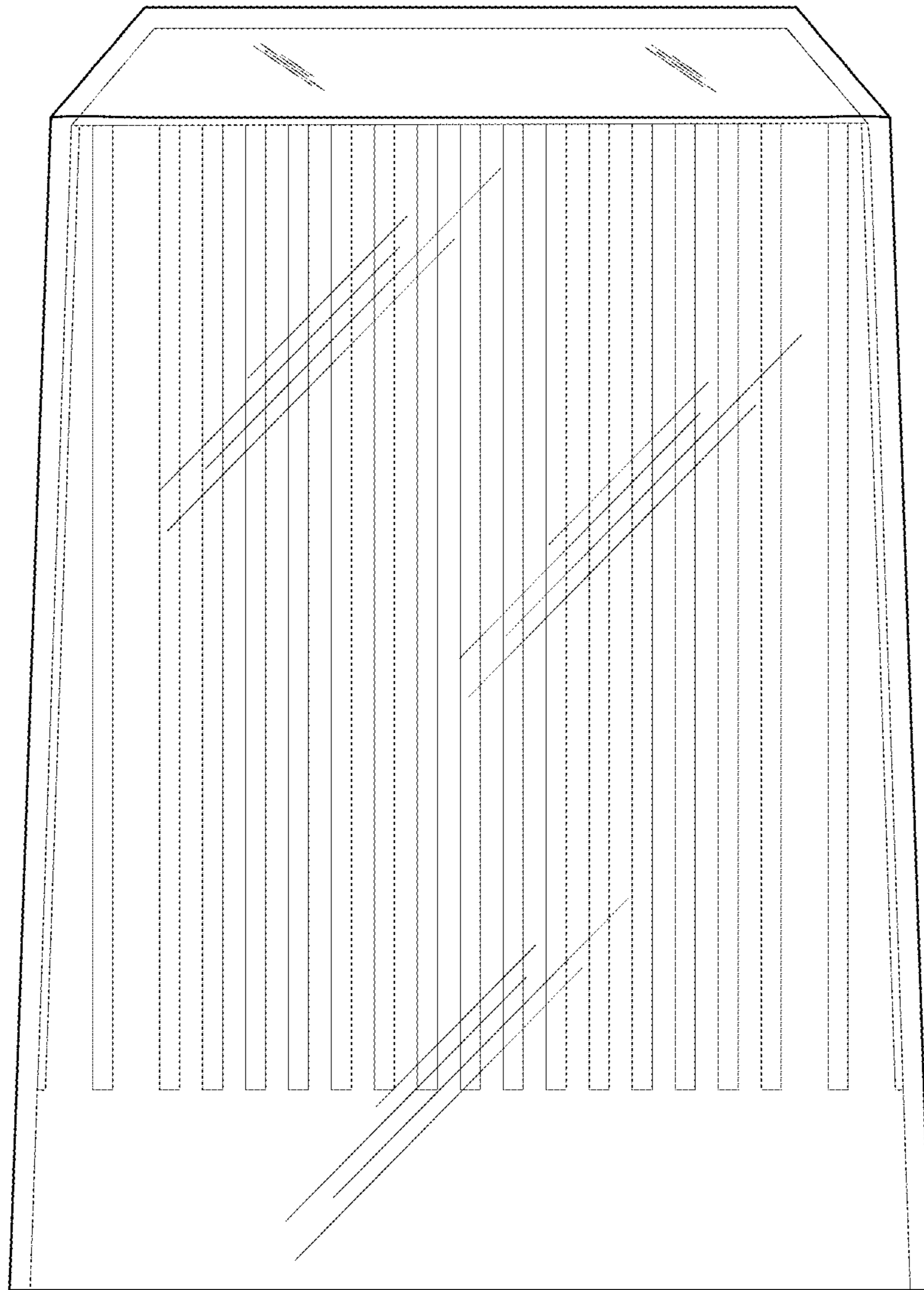


FIG. 3

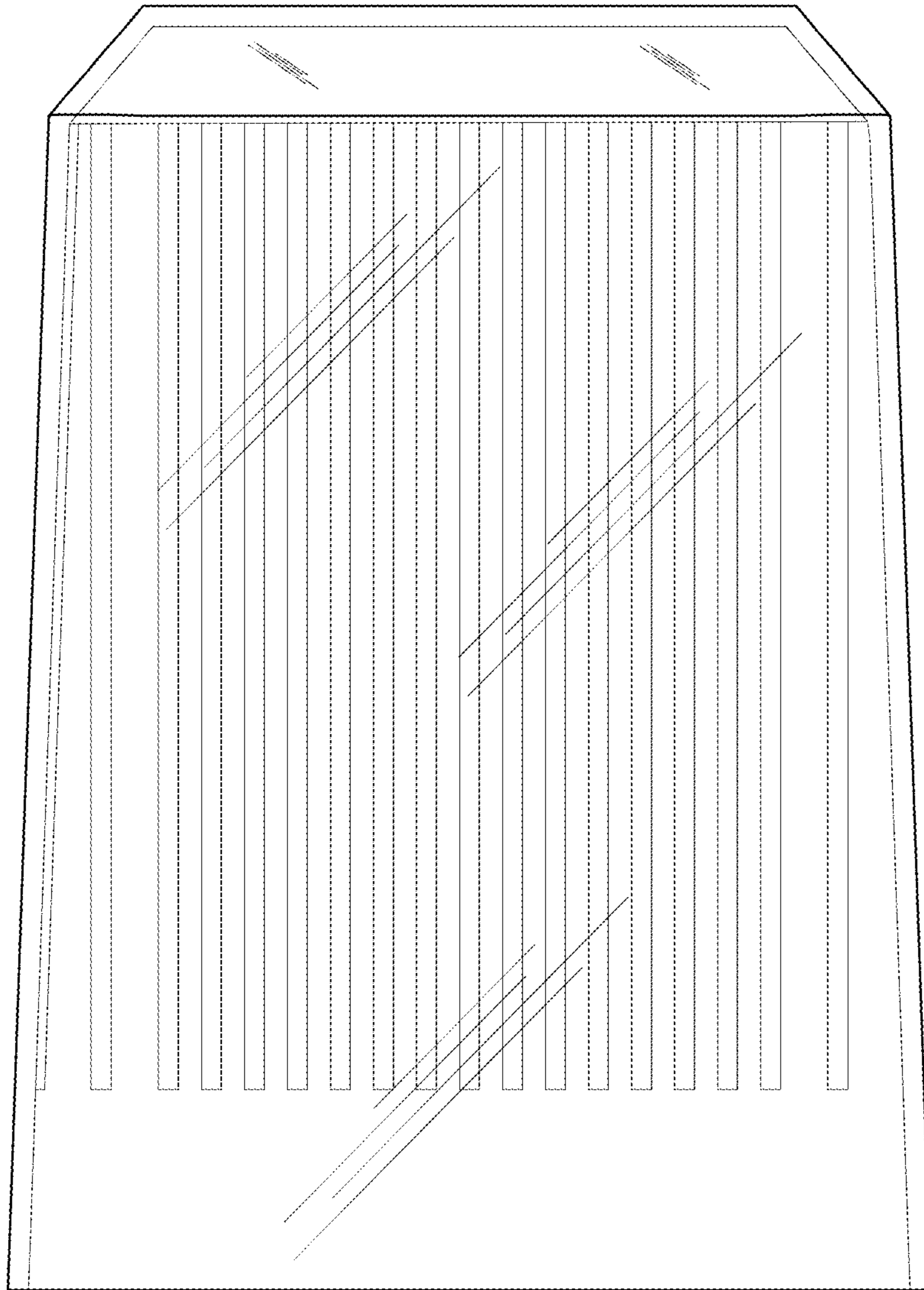


FIG. 4

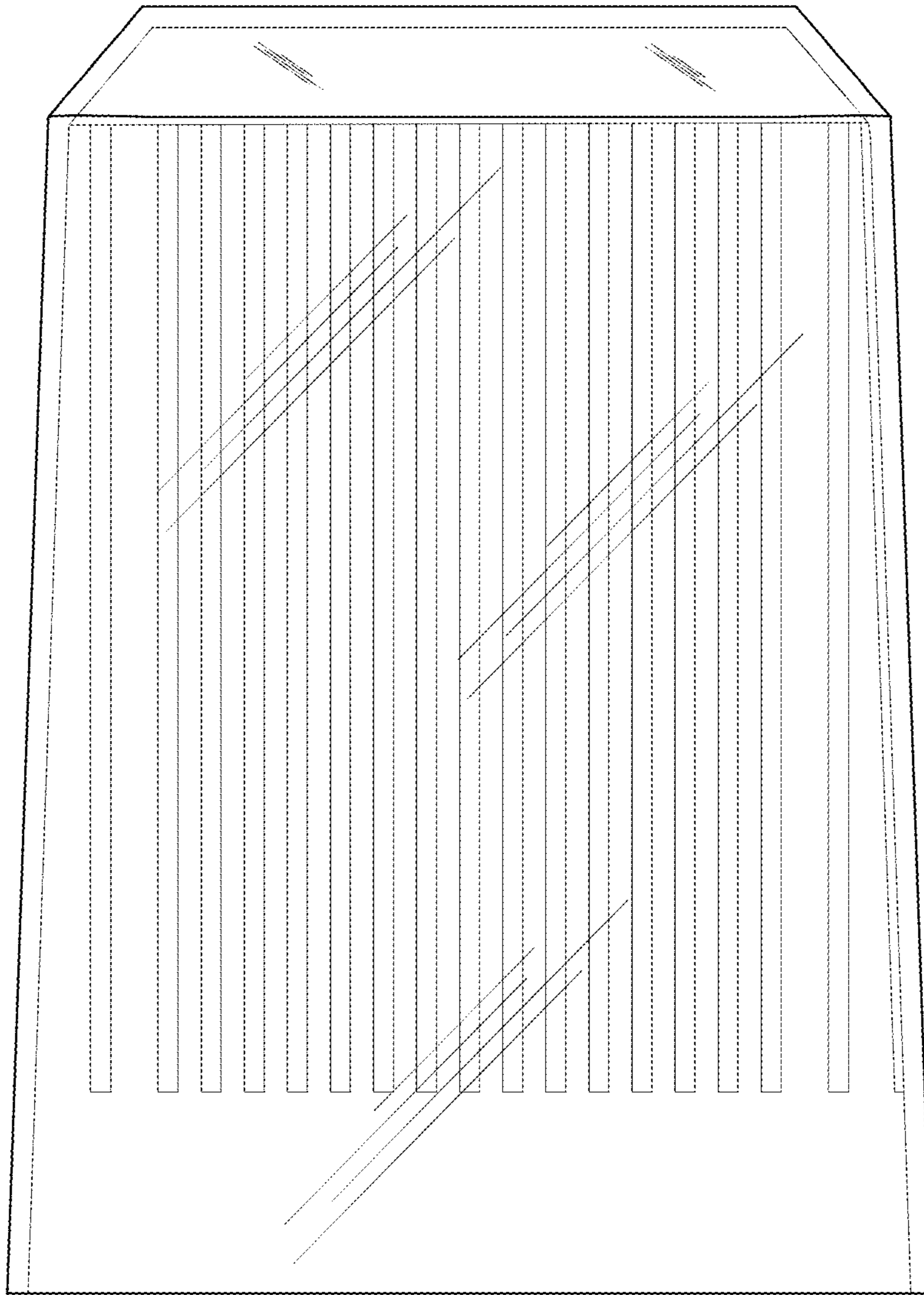


FIG. 5

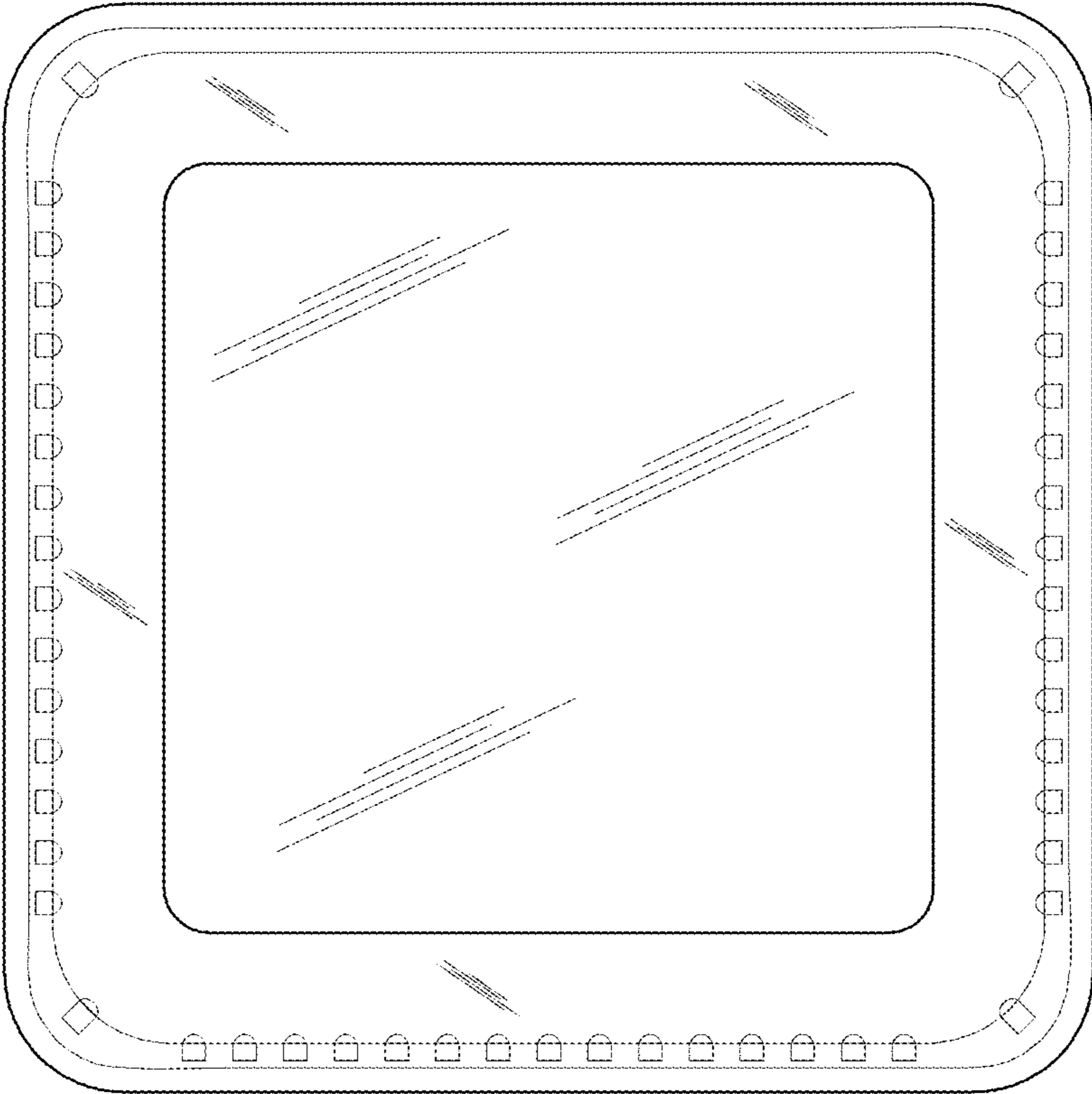


FIG. 6

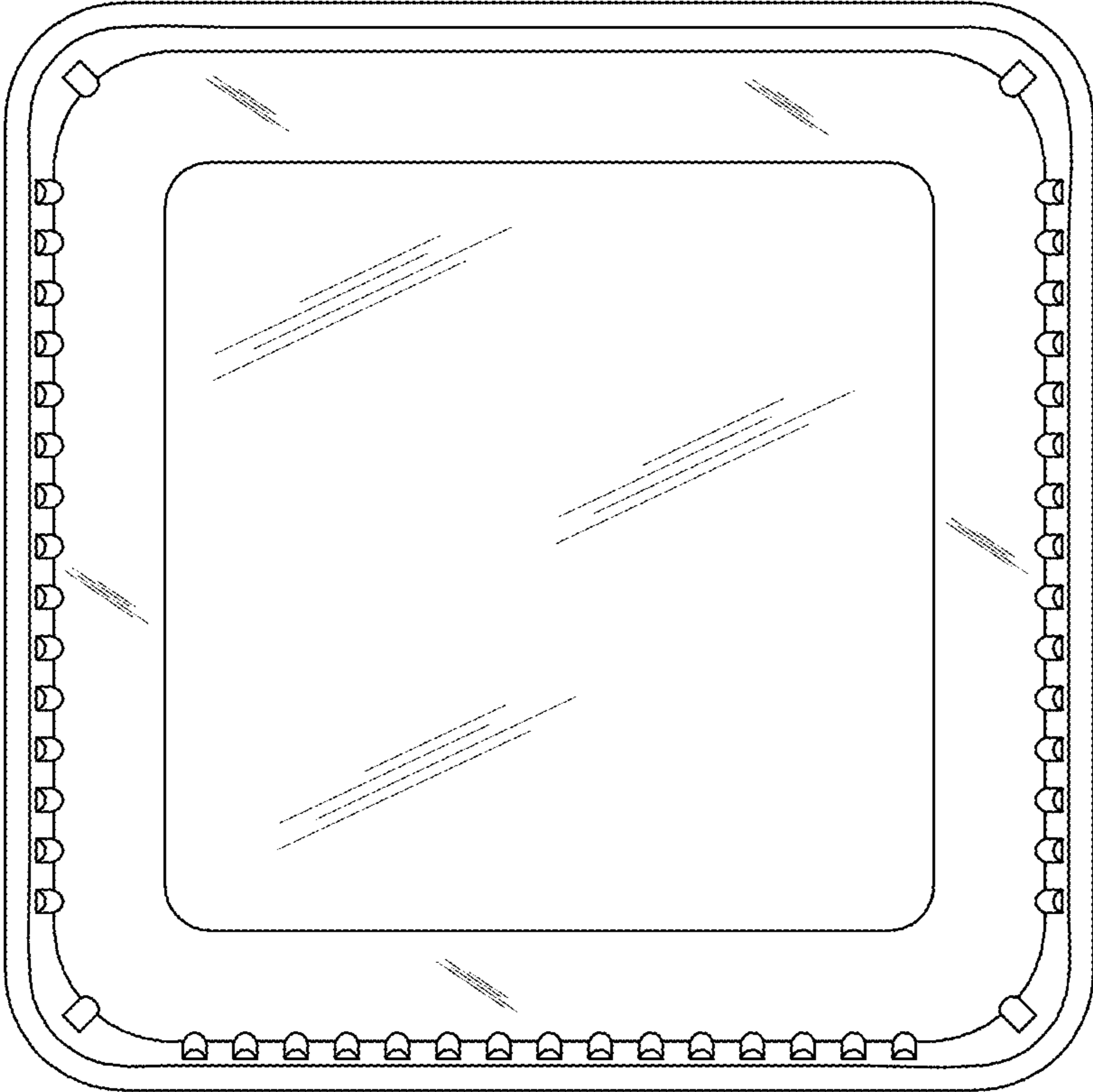


FIG. 7

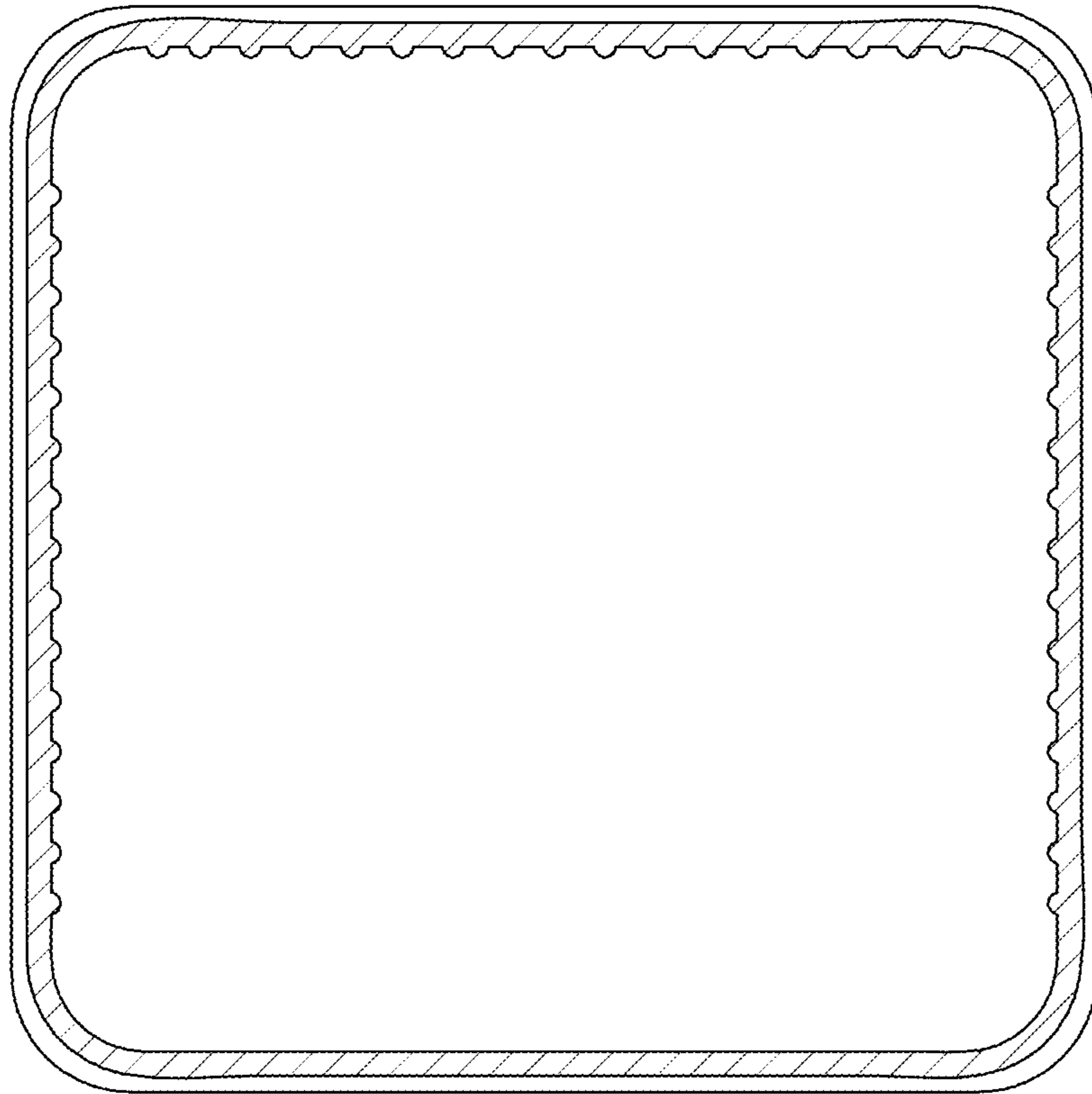


FIG. 8

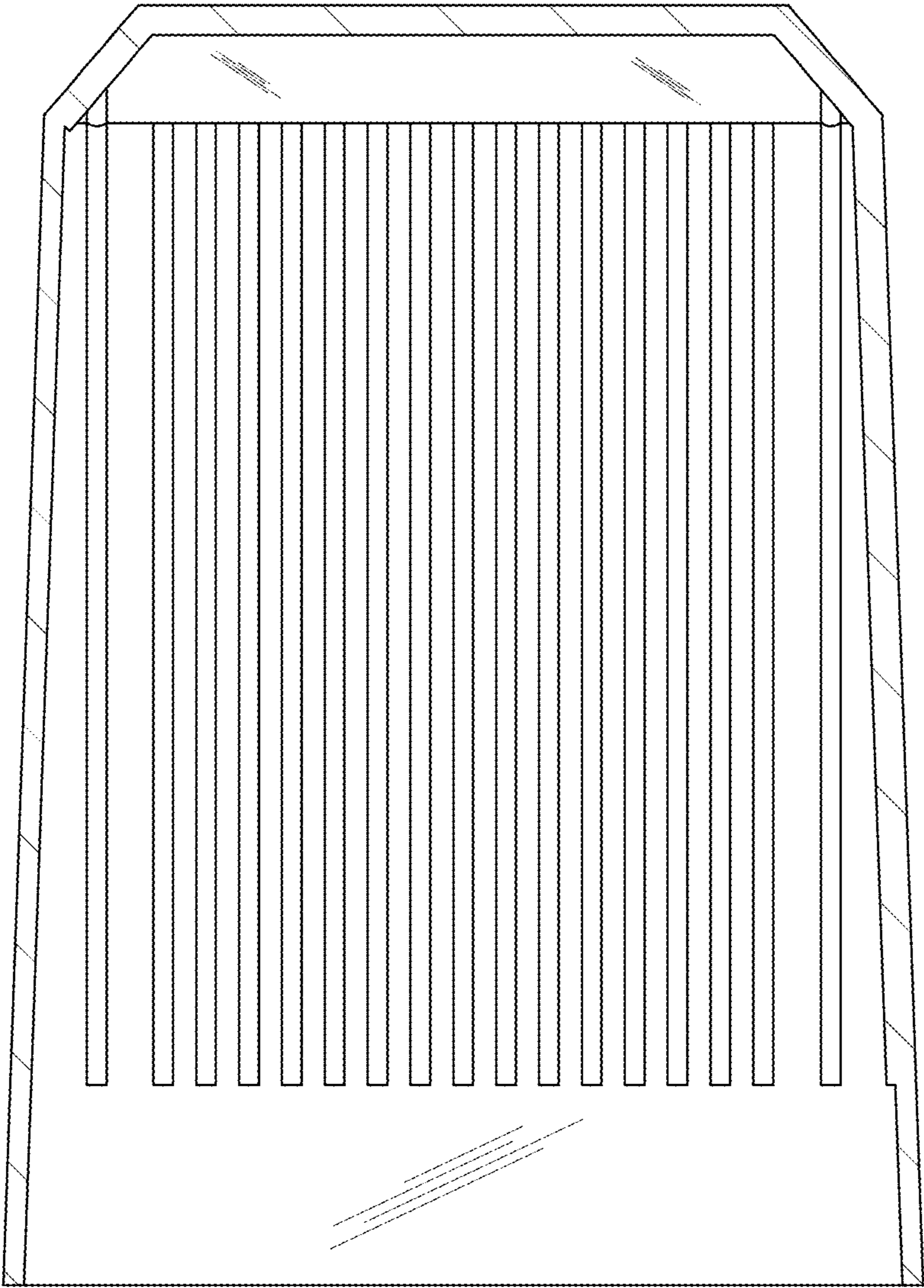


FIG. 9