



US00D780702S

(12) **United States Design Patent** (10) **Patent No.:** **US D780,702 S**  
**Gage et al.** (45) **Date of Patent:** **\*\* \*Mar. 7, 2017**

(54) **KEYPAD**

(71) Applicant: **Lutron Electronics Co., Inc.**,  
Coopersburg, PA (US)

(72) Inventors: **Alexander Wade Gage**, Havertown, PA  
(US); **Elliot G. Jacoby**, Glenside, PA  
(US); **Jason C. Killo**, Emmaus, PA  
(US); **Brad Michael Kreschollek**,  
Bethlehem, PA (US); **Daniel Curtis**  
**Raneri**, Bethlehem, PA (US)

D465,460 S 11/2002 Mayo et al.  
D563,901 S 3/2008 Mayo et al.  
D566,048 S 4/2008 Mace et al.  
D566,658 S 4/2008 Mayo et al.  
D568,828 S 5/2008 Mayo et al.  
D570,299 S 6/2008 Jacoby et al.  
D572,202 S 7/2008 Jacoby et al.  
D572,208 S 7/2008 Mayo et al.  
D572,667 S 7/2008 Mayo et al.  
D573,956 S 7/2008 Hollner et al.  
7,641,491 B2 1/2010 Altonen et al.  
D624,881 S 10/2010 Altonen et al.  
D624,882 S 10/2010 Altonen et al.

(Continued)

(73) Assignee: **Lutron Electronics Co., Inc.**,  
Coopersburg, PA (US)

(\* ) Notice: This patent is subject to a terminal disclaimer.

(\*\*) Term: **15 Years**

(21) Appl. No.: **29/536,810**

(22) Filed: **Aug. 19, 2015**

(51) **LOC (10) Cl.** ..... **13-03**

(52) **U.S. Cl.**  
USPC ..... **D13/174**

(58) **Field of Classification Search**  
USPC ..... D13/162, 174  
CPC ..... G08C 17/02; H05B 33/0845; H05B 37/02;  
H05B 37/0272; H05B 39/02; H05B 39/04;  
H05B 39/041; H05B 39/08; H05B 39/085  
See application file for complete search history.

(56) **References Cited**

U.S. PATENT DOCUMENTS

D309,268 S 7/1990 Wada et al.  
D310,340 S 9/1990 Wada et al.  
D364,573 S 11/1995 Pearsall  
D436,930 S 1/2001 Butler et al.  
D453,742 S 2/2002 Butler et al.

OTHER PUBLICATIONS

Lightolier, Specification Sheet for iGen DALI 4-Button Scene Controller Model No. DA-WS4SS-7, 2007, 2 pages.

(Continued)

*Primary Examiner* — Selina Sikder

(74) *Attorney, Agent, or Firm* — Saidman DesignLaw Group, LLC

(57) **CLAIM**

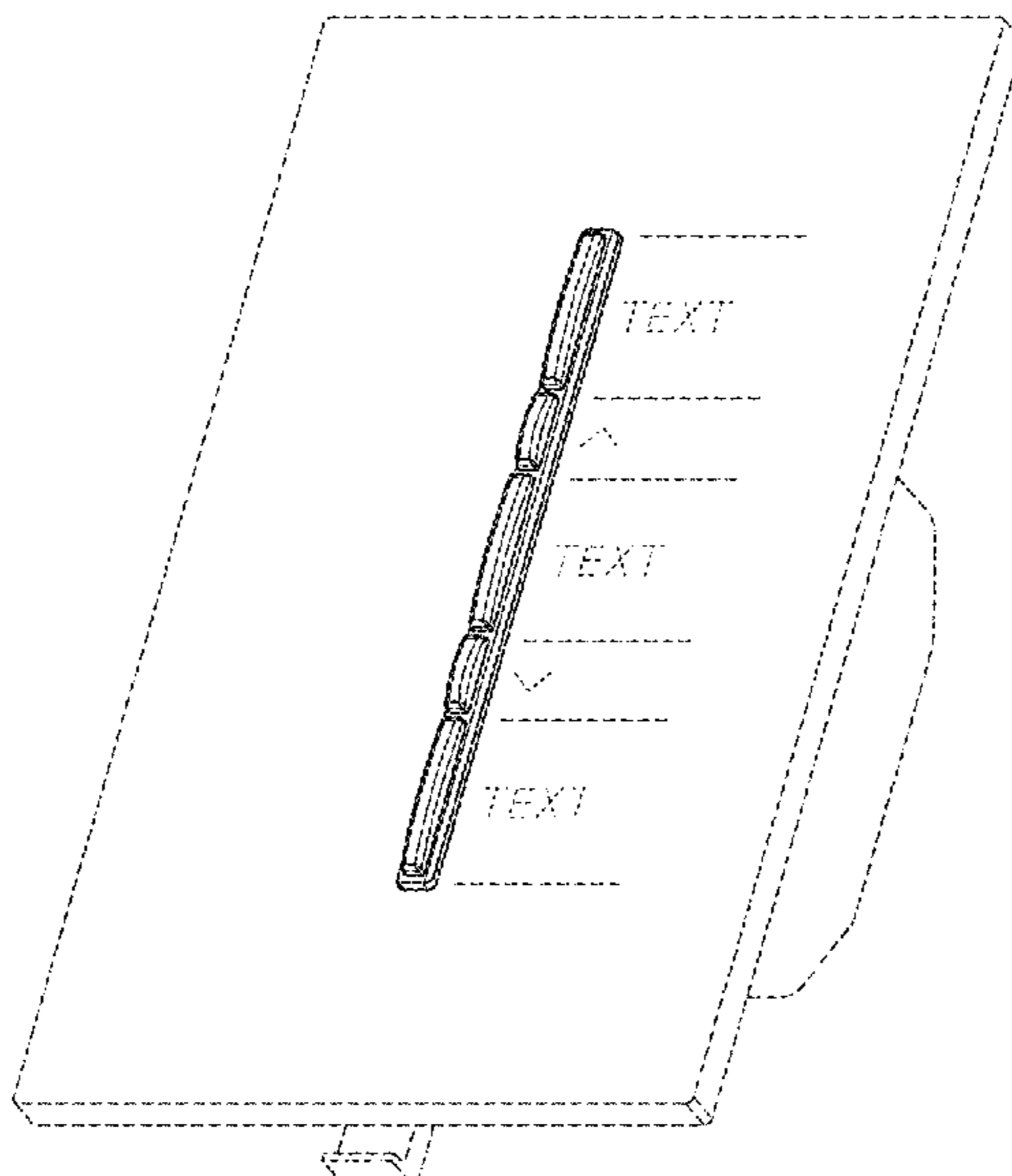
The ornamental design for a keypad, as shown and described.

**DESCRIPTION**

FIG. 1 is a front perspective view of a keypad showing our new design;  
FIG. 2 is a front view thereof;  
FIG. 3 is a left side view thereof;  
FIG. 4 is a right side view thereof;  
FIG. 5 is a top view thereof; and,  
FIG. 6 is a bottom view thereof.

The dashed broken lines represent structure or features which form no part of the claimed design; the broken lines themselves form no part of the claimed design.

**1 Claim, 4 Drawing Sheets**



(56)

**References Cited**

U.S. PATENT DOCUMENTS

7,872,429	B2	1/2011	Steiner et al.	
D678,850	S *	3/2013	Wisniewski .....	D13/174
D705,179	S *	5/2014	Wisniewski .....	D13/174
9,167,666	B1 *	10/2015	Billheimer .....	H05B 37/02
9,389,769	B1 *	7/2016	O’Keeffe .....	G06F 1/3262
2007/0216318	A1 *	9/2007	Altonen .....	G02B 6/0001
				315/209 R
2007/0272532	A1 *	11/2007	Pessina .....	H02G 3/14
				200/333
2007/0291010	A1 *	12/2007	Altonen .....	H05B 39/085
				345/173
2008/0258644	A1	10/2008	Altonen et al.	
2009/0184652	A1	7/2009	Bollinger, Jr. et al.	

OTHER PUBLICATIONS

Inncom, GS-700 Family Glass Series Switches Sell Sheet, Nov. 2008, 2 pages.

U.S. Appl No. 29/502,399, filed Sep. 16, 2014. (Unpublished).  
 U.S. Appl No. 29/515,919, filed Jan. 28, 2015. (Unpublished).  
 U.S. Appl No. 29/515,921, filed Jan. 28, 2015. (Unpublished).  
 U.S. Appl No. 29/447,481, filed Mar. 4, 2013. (Unpublished).  
 U.S. Appl No. 29/447,485, filed Mar. 4, 2013. (Unpublished).  
 U.S. Appl No. 29/536,775, filed Aug. 19, 2015. (Unpublished).  
 U.S. Appl No. 29/536,770, filed Aug. 19, 2015. (Unpublished).  
 U.S. Appl No. 29/536,771, filed Aug. 19, 2015. (Unpublished).  
 U.S. Appl No. 29/536,772, filed Aug. 19, 2015. (Unpublished).  
 U.S. Appl No. 29/536,767, filed Aug. 19, 2015. (Unpublished).  
 U.S. Appl No. 29/536,765, filed Aug. 19, 2015. (Unpublished).  
 U.S. Appl No. 29/536,768, filed Aug. 19, 2015. (Unpublished).  
 U.S. Appl No. 29/536,792, filed Aug. 19, 2015. (Unpublished).  
 U.S. Appl No. 29/536,805, filed Aug. 19, 2015. (Unpublished).  
 U.S. Appl No. 29/536,796, filed Aug. 19, 2015. (Unpublished).  
 U.S. Appl No. 29/536,802, filed Aug. 19, 2015. (Unpublished).  
 U.S. Appl No. 29/536,808, filed Aug. 19, 2015. (Unpublished).  
 U.S. Appl No. 29/536,807, filed Aug. 19, 2015. (Unpublished).

\* cited by examiner

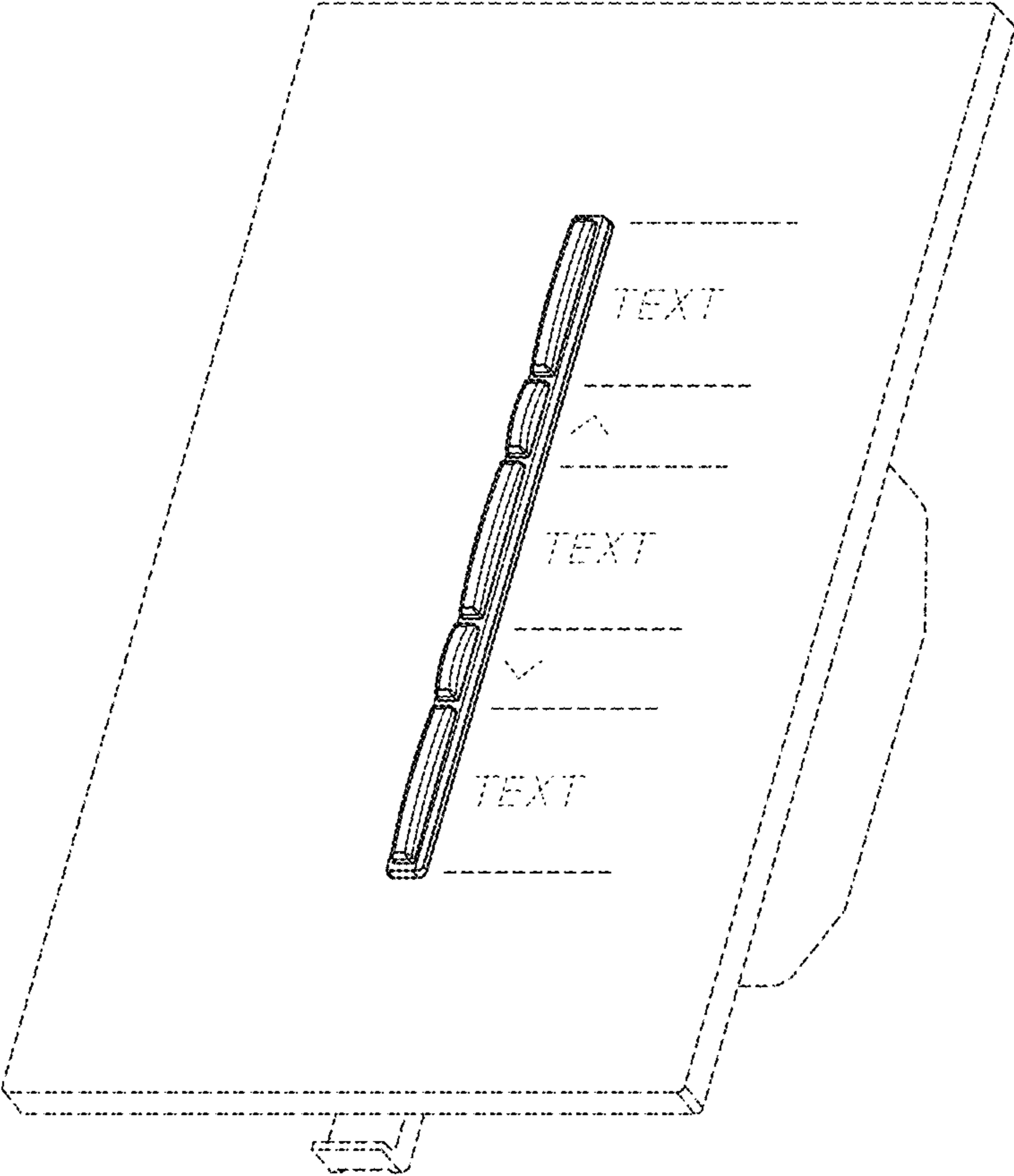


FIG. 1

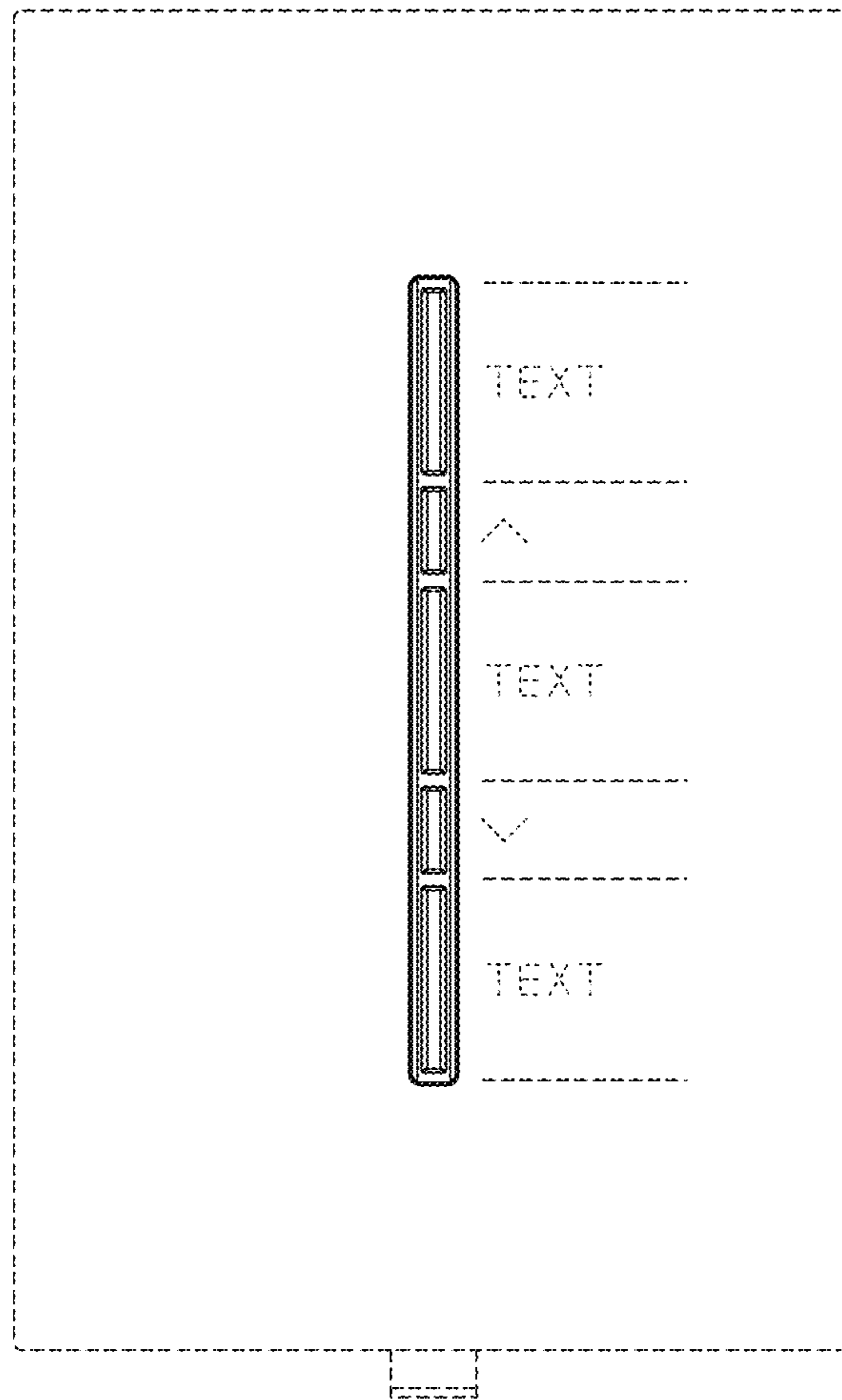


FIG. 2

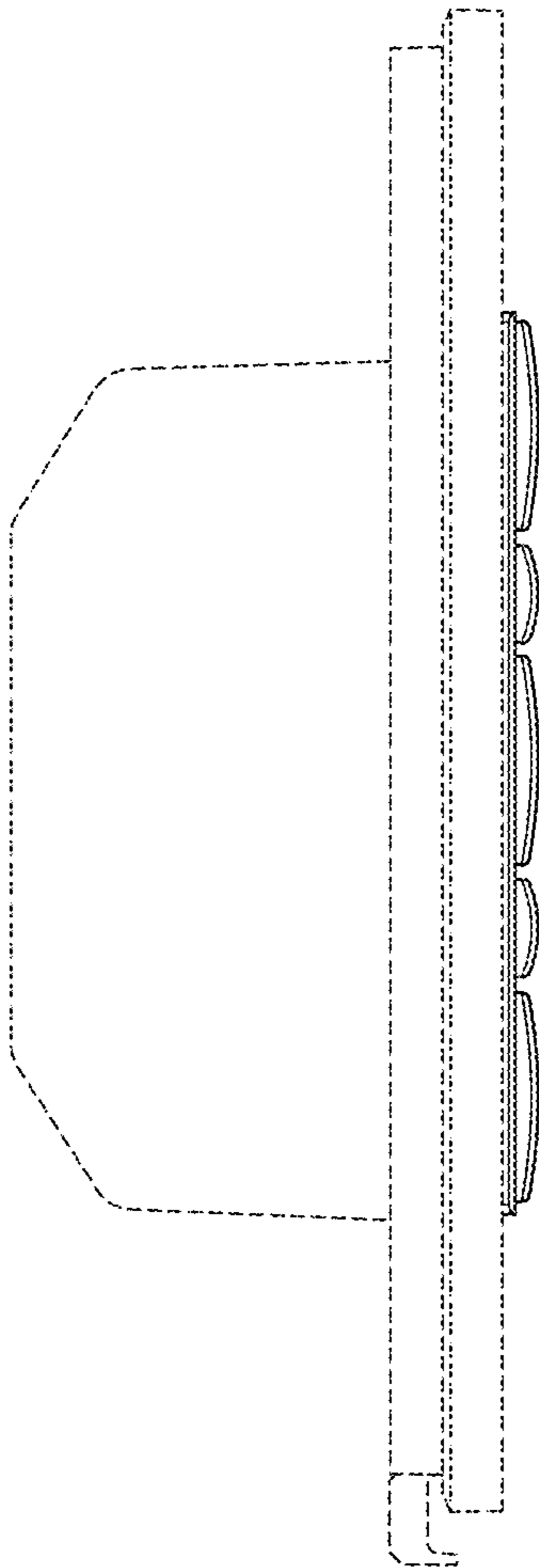


FIG. 3

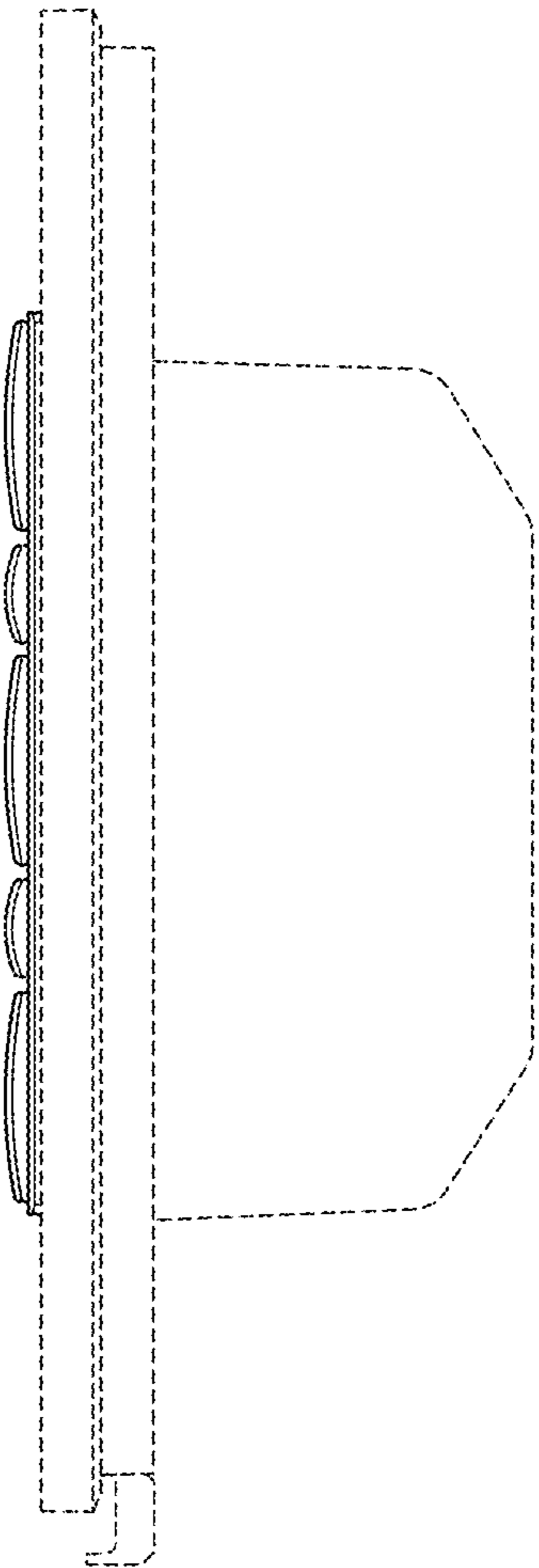


FIG. 4

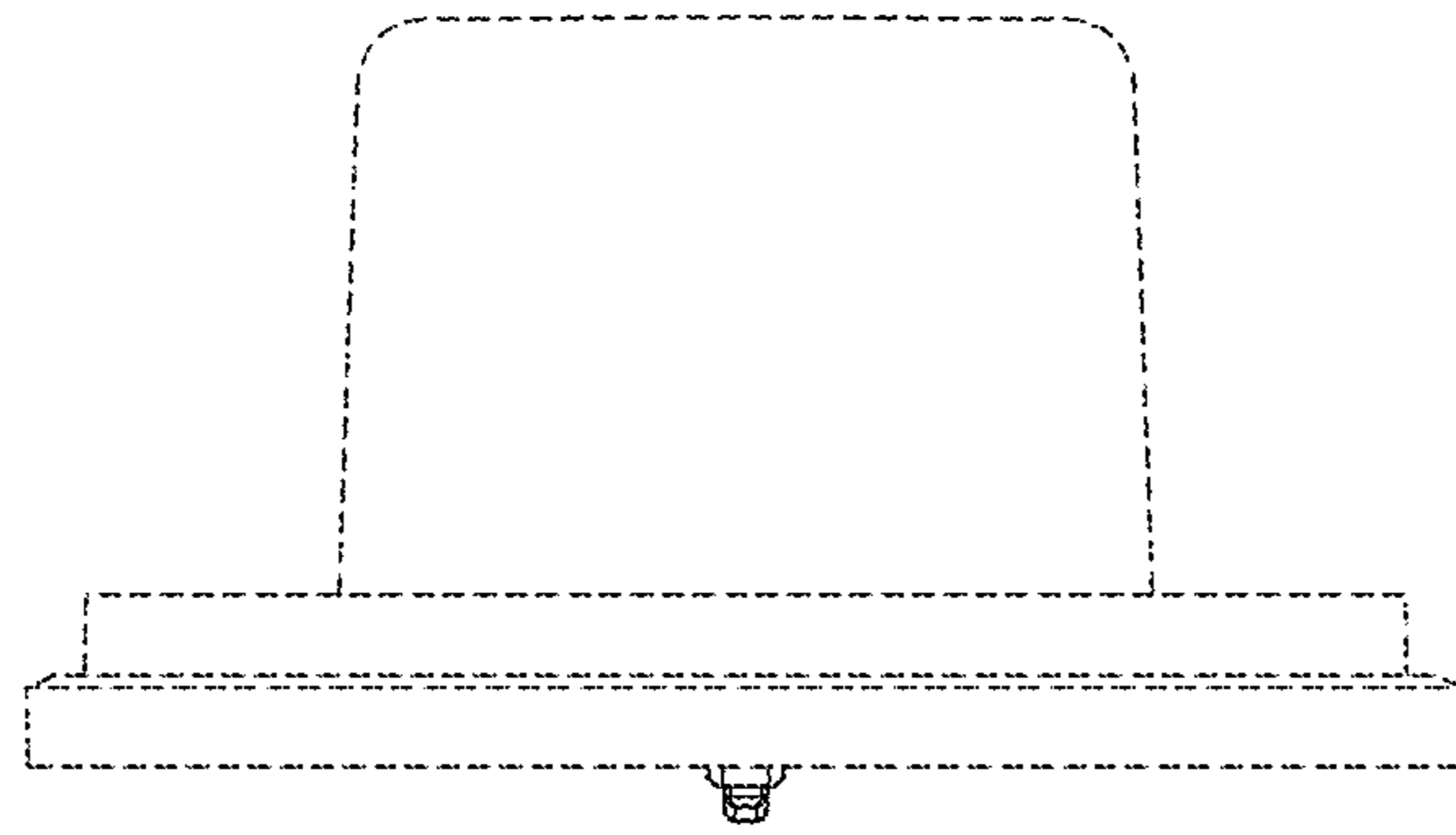


FIG. 5

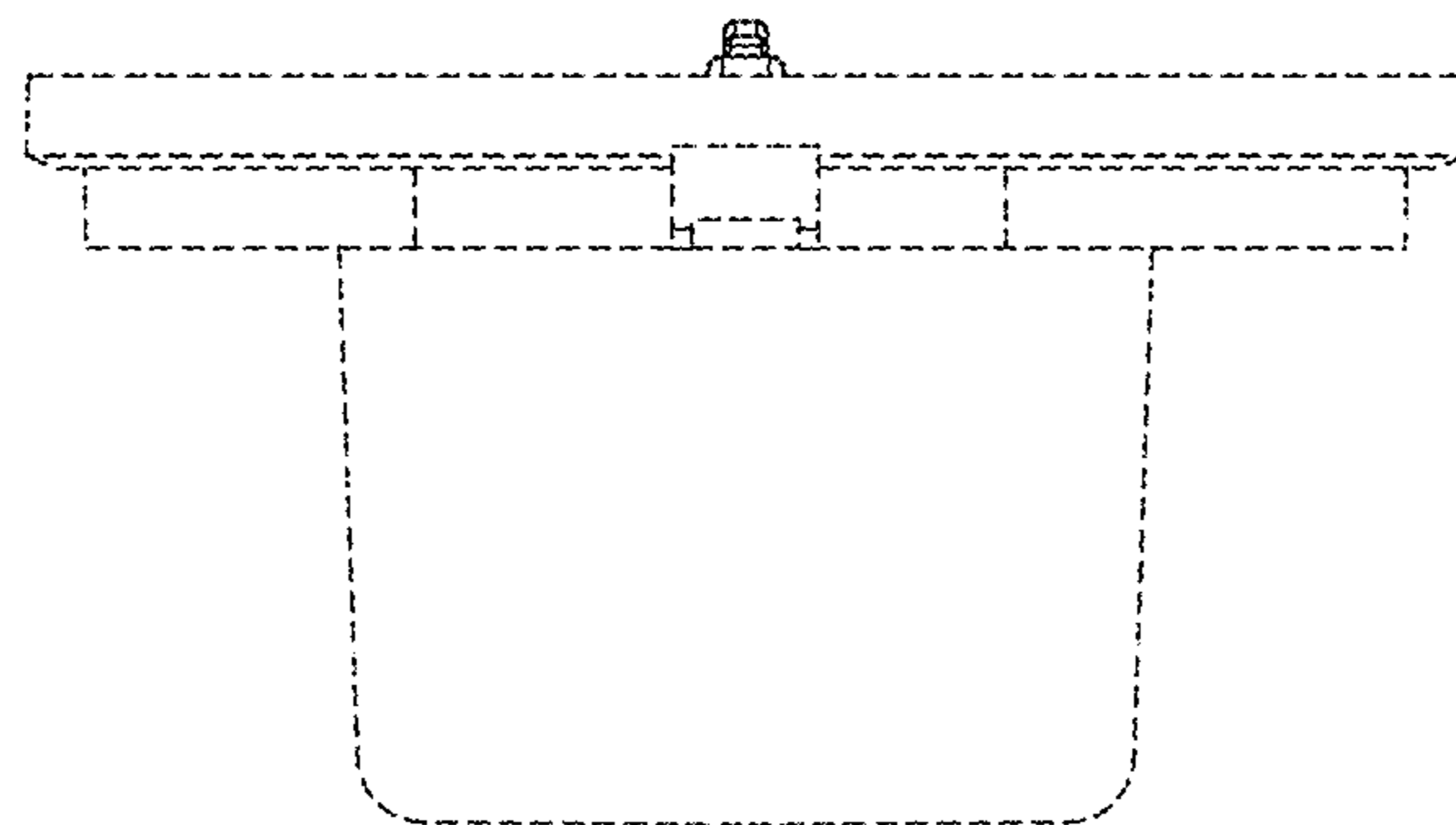


FIG. 6