



US00D780701S

(12) **United States Design Patent**
Lacey et al.

(10) **Patent No.:** **US D780,701 S**
(45) **Date of Patent:** **** Mar. 7, 2017**

(54) **SWITCH APPARATUS**

(71) Applicant: **EATON CORPORATION**, Cleveland, OH (US)

(72) Inventors: **Darron Kirby Lacey**, Fayetteville, GA (US); **Pramod Kumar**, Peachtree City, GA (US)

(73) Assignee: **EATON CORPORATION**, Cleveland, OH (US)

(**) Term: **15 Years**

(21) Appl. No.: **29/534,688**

(22) Filed: **Jul. 30, 2015**

(51) **LOC (10) Cl.** **13-03**

(52) **U.S. Cl.**
USPC **D13/173**

(58) **Field of Classification Search**
USPC D13/162, 169, 170, 171, 173, 174;
200/303, 315, 327, 339

(Continued)

(56) **References Cited**

U.S. PATENT DOCUMENTS

3,059,045 A * 10/1962 Swartwood H02B 1/04
174/53

3,335,900 A * 8/1967 Mackiewicz H02G 3/14
174/53

(Continued)

Primary Examiner — Selina Sikder

(74) *Attorney, Agent, or Firm* — Eckert Seamans; Brij Agarwal; Grant Coffield

(57) **CLAIM**

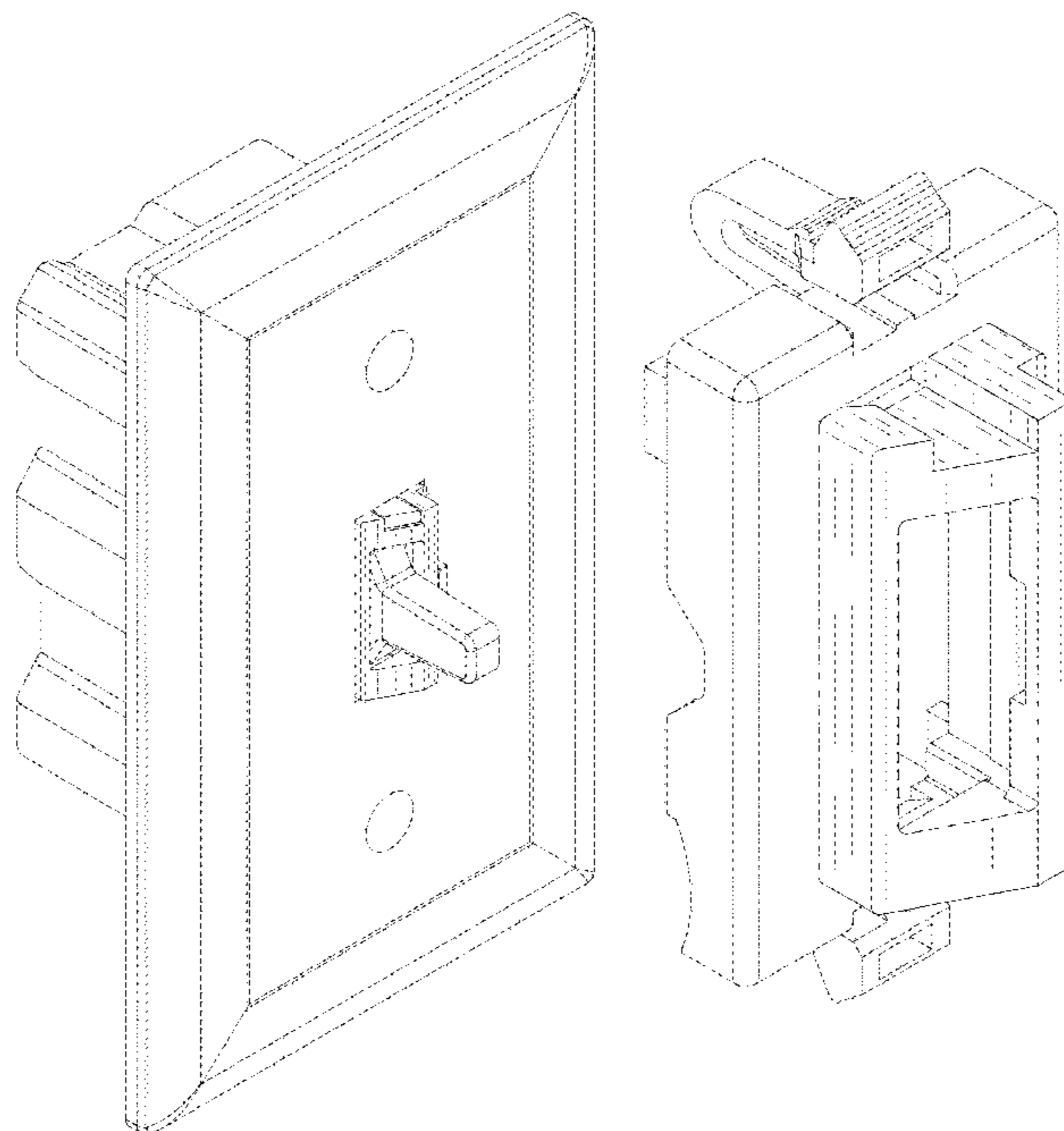
The ornamental design for a switch apparatus, as shown and described.

DESCRIPTION

FIG. 1 is an upper left perspective view of a first embodiment of the switch apparatus;
FIG. 2 is an lower right perspective view thereof;
FIG. 3 is a front elevational view thereof;
FIG. 4 is a right side elevational view thereof;
FIG. 5 is a left side elevational view thereof;
FIG. 6 is a top plan view thereof;
FIG. 7 is a bottom plan view thereof; and
FIG. 8 is a rear elevational view thereof;
FIG. 9 is an upper left perspective view of a second embodiment of the switch apparatus;
FIG. 10 is an lower right perspective view thereof;
FIG. 11 is a front elevational view thereof;
FIG. 12 is a right side elevational view thereof;
FIG. 13 is a left side elevational view thereof;
FIG. 14 is a top plan view thereof;
FIG. 15 is a bottom plan view thereof; and
FIG. 16 is a rear elevational view thereof;
FIG. 17 is an upper left perspective view of a third embodiment of the switch apparatus;
FIG. 18 is an lower right perspective view thereof;
FIG. 19 is a front elevational view thereof;
FIG. 20 is a right side elevational view thereof;
FIG. 21 is a left side elevational view thereof;
FIG. 22 is a top plan view thereof;
FIG. 23 is a bottom plan view thereof; and,
FIG. 24 is a rear elevational view thereof.

The long-dashed lines are for illustration of the boundary between claimed subject matter and unclaimed subject matter only and form no part of the claimed design. The short-dashed lines are for illustration of environmental subject matter only and form no part of the claimed design.

1 Claim, 21 Drawing Sheets



(58) **Field of Classification Search**
 CPC H01H 9/02; H01H 3/02; H01H 3/0213;
 H01H 15/06; H01H 23/00; H01H 23/02;
 H01H 23/04; H01H 23/08; H01H 23/146;
 H01H 23/148; H01H 23/164; H01H
 23/20; H01H 71/521; H01H
 71/522; H02G 3/14; H05B 37/02; H05B
 39/08; Y10T 307/937
 See application file for complete search history.

(56) **References Cited**

U.S. PATENT DOCUMENTS

5,262,678 A * 11/1993 Flowers H01H 3/0213
 200/335
 D342,234 S * 12/1993 Graybill, Jr. D13/169
 5,340,954 A * 8/1994 Hoffman H01H 23/00
 200/277.2
 5,543,595 A * 8/1996 Mader H01H 71/501
 200/401
 5,669,484 A * 9/1997 Paulson H01H 9/287
 200/43.01

6,259,351 B1 * 7/2001 Radosavljevic H01C 10/38
 338/153
 6,420,669 B1 * 7/2002 Shenker H01H 23/20
 200/288
 6,774,328 B2 * 8/2004 Adams H05B 39/00
 200/329
 D542,742 S * 5/2007 Spira D13/170
 D543,511 S * 5/2007 Altonen D13/162
 D546,771 S * 7/2007 Spira D13/162
 D566,052 S * 4/2008 Ochs D13/170
 D603,809 S * 11/2009 Mathew D13/169
 7,638,723 B1 * 12/2009 Dodal H01H 23/205
 200/339
 7,745,750 B2 * 6/2010 Hewson H01H 3/0213
 200/315
 8,124,898 B2 * 2/2012 Mathew H01H 23/025
 200/18
 8,643,220 B1 * 2/2014 Bhosale H03K 17/725
 307/115
 D707,638 S * 6/2014 Bhosale D13/169
 2014/0151203 A1 * 6/2014 Gouhl H01H 23/146
 200/303

* cited by examiner

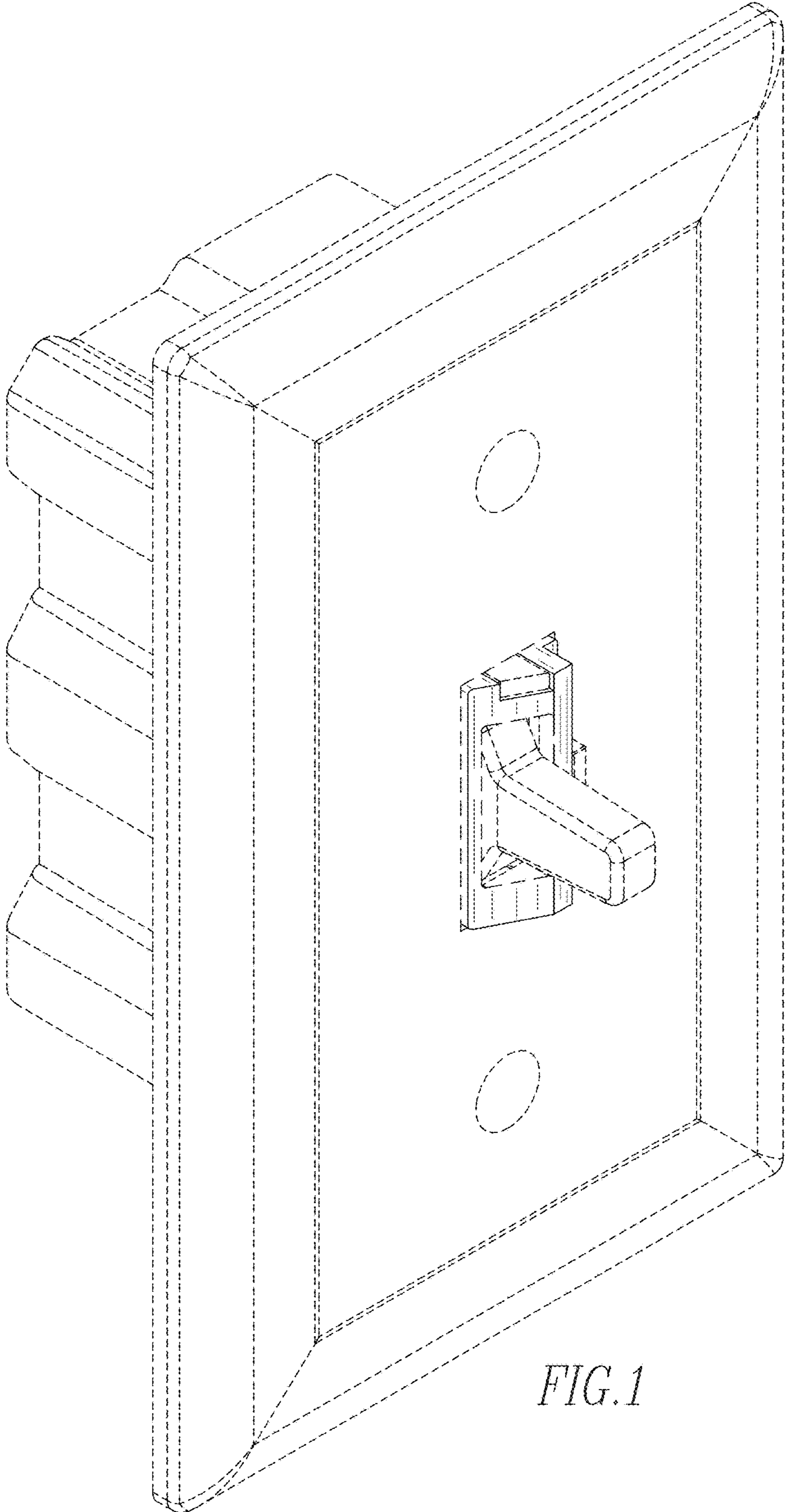


FIG.1

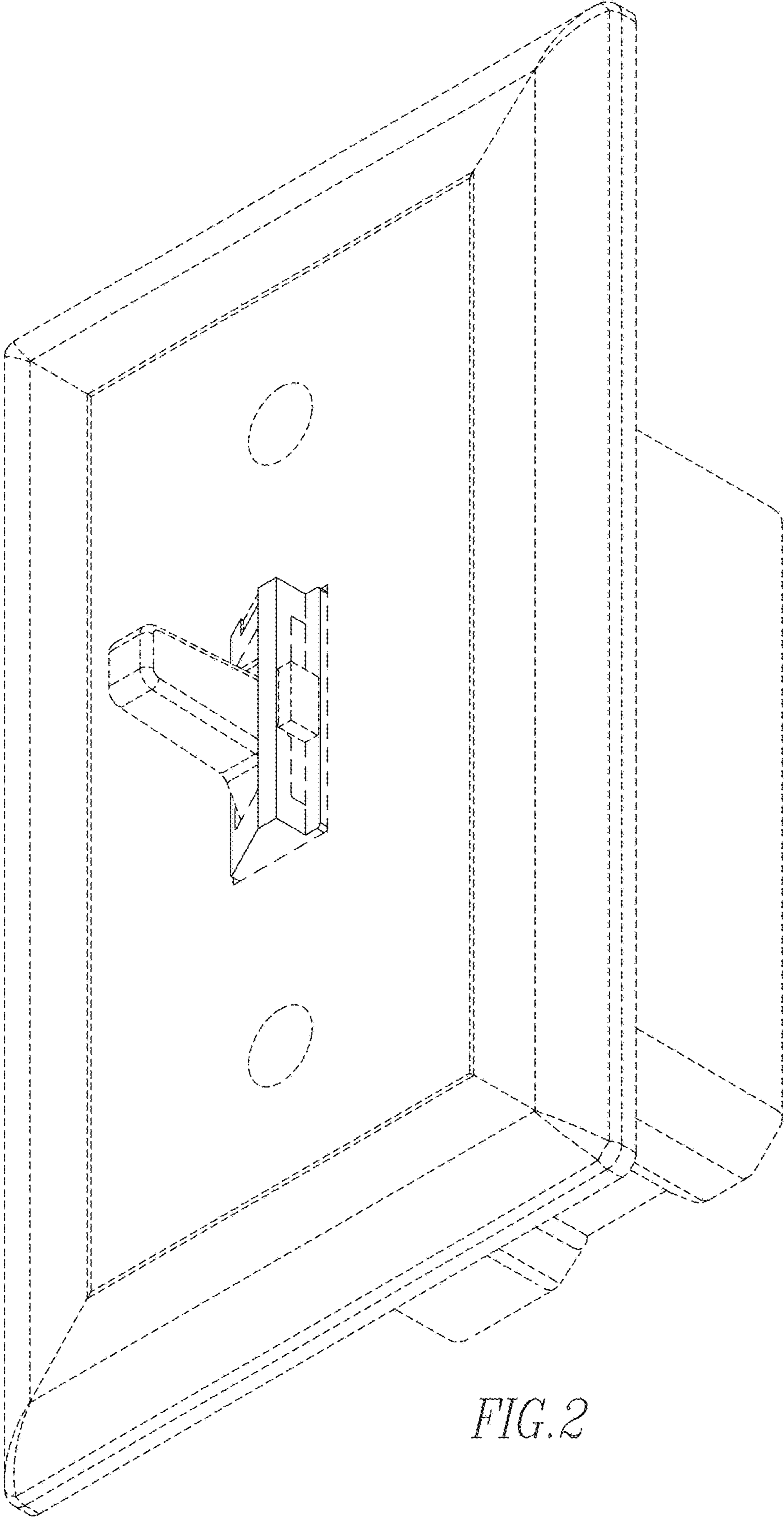


FIG. 2

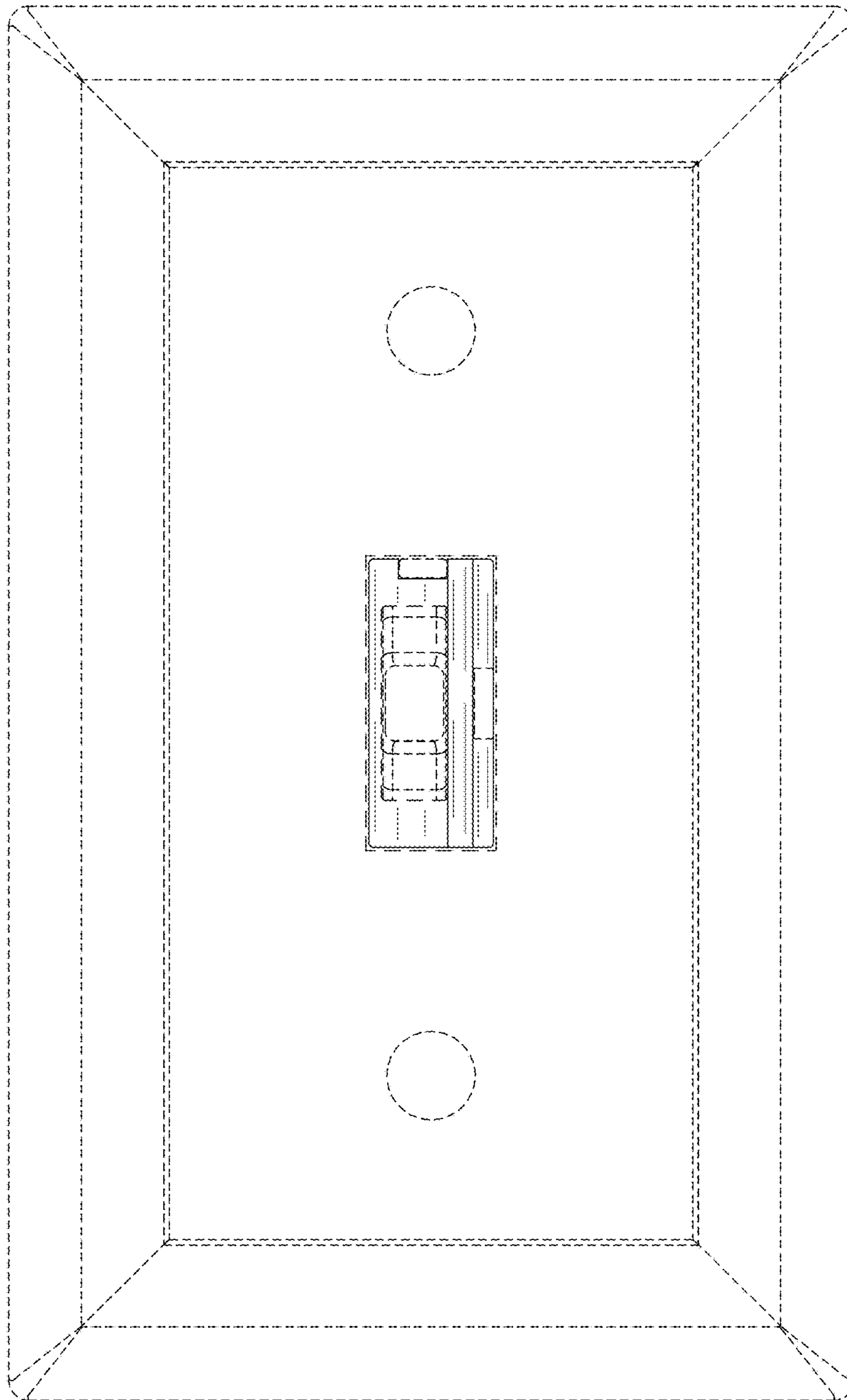


FIG. 3

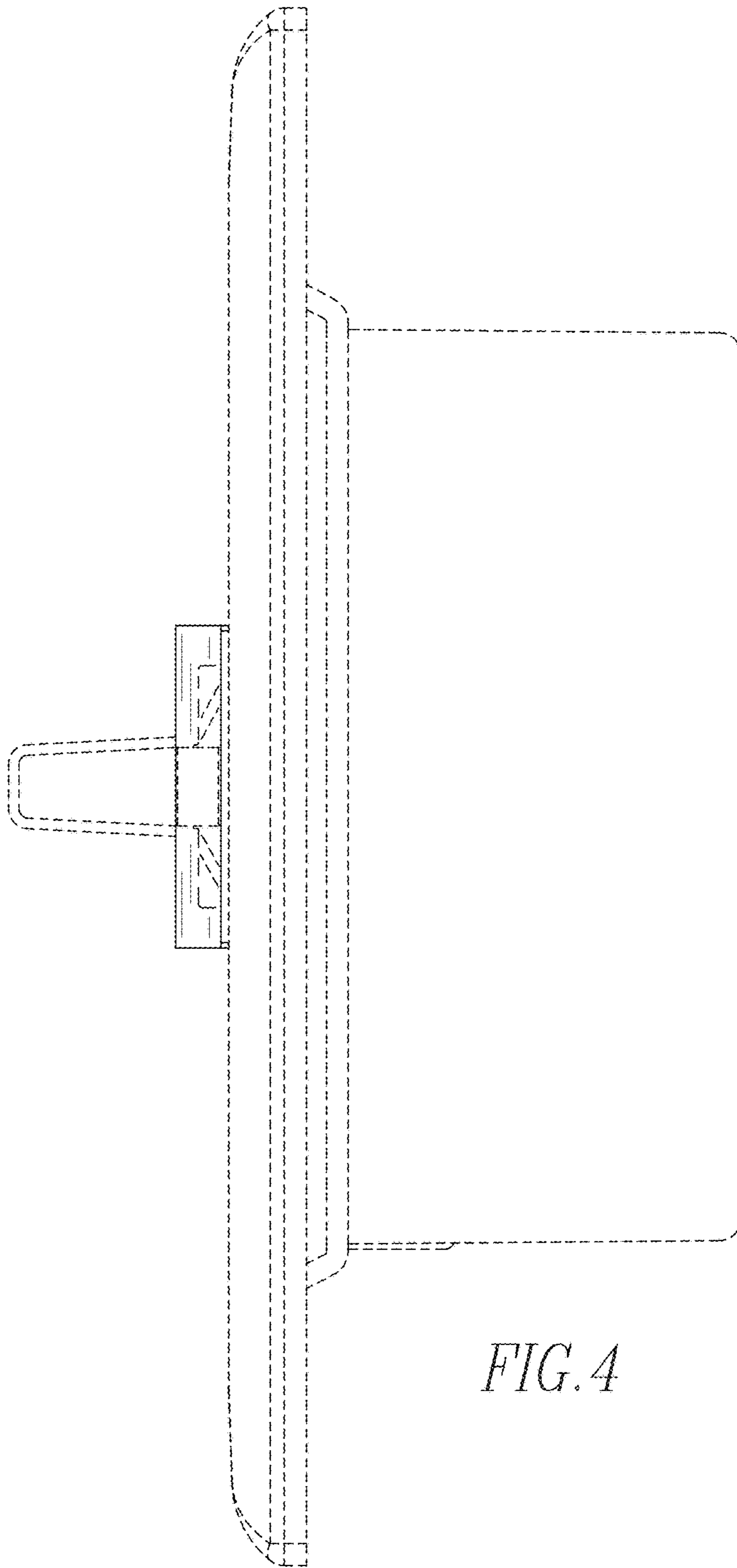


FIG. 4

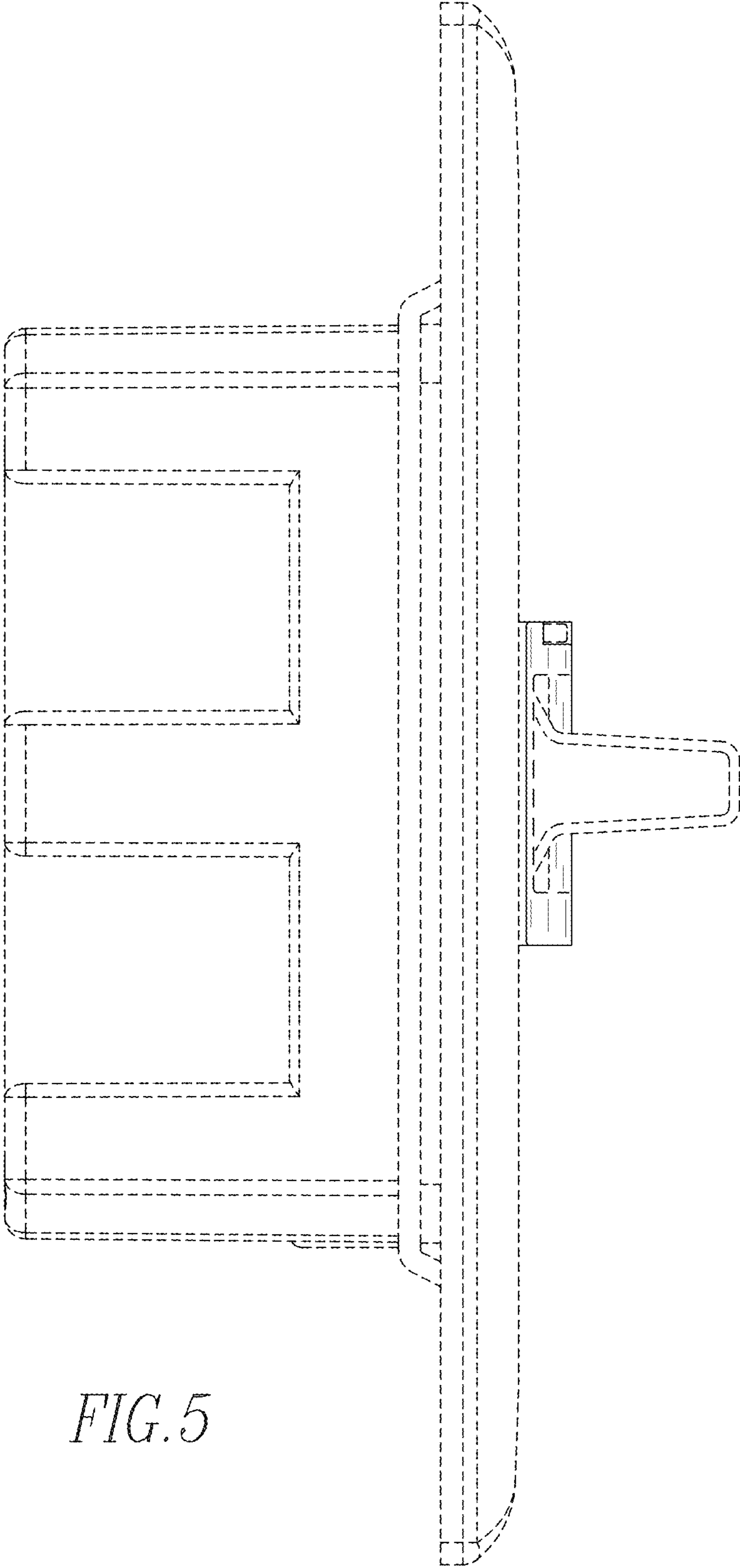


FIG. 5

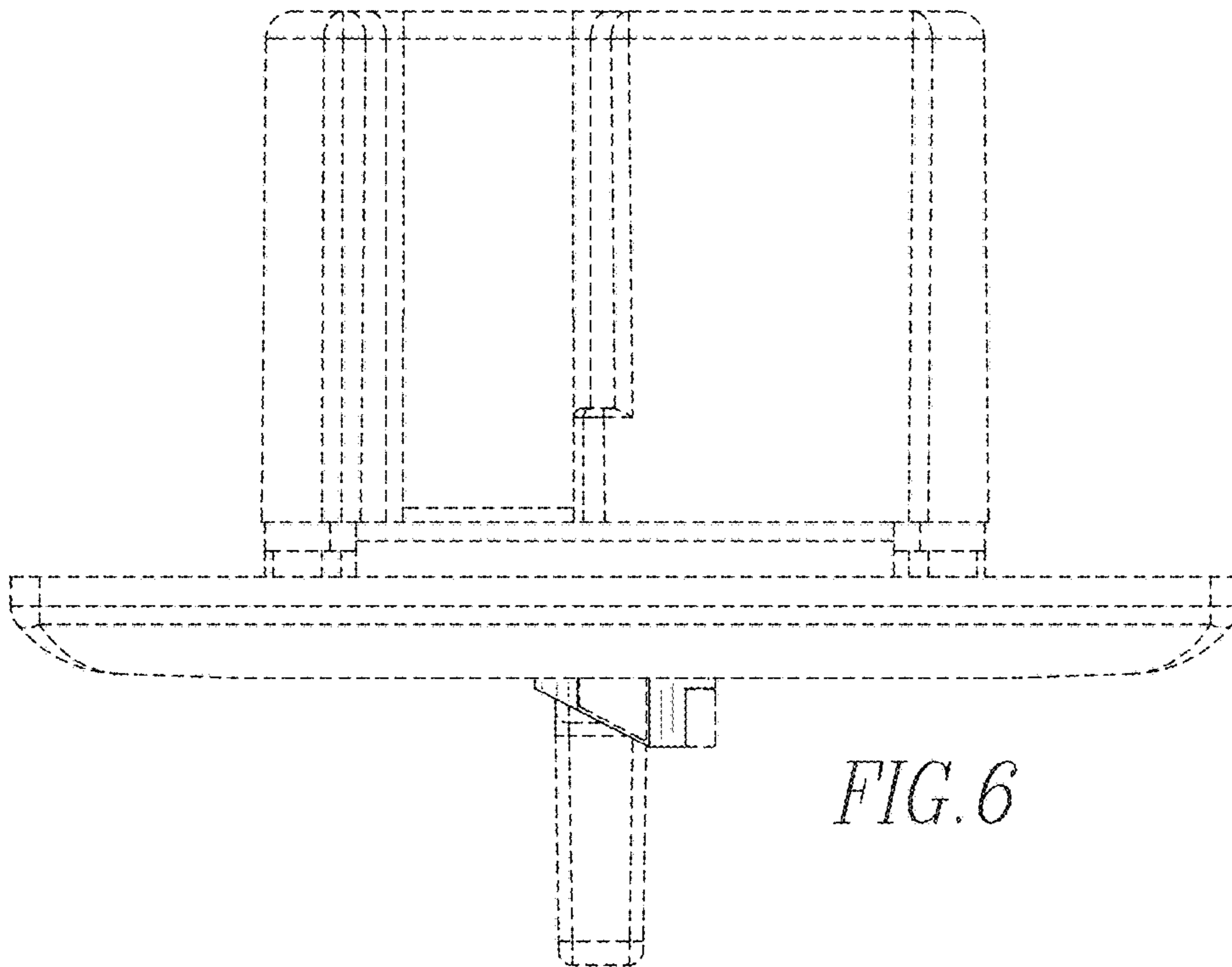


FIG. 6

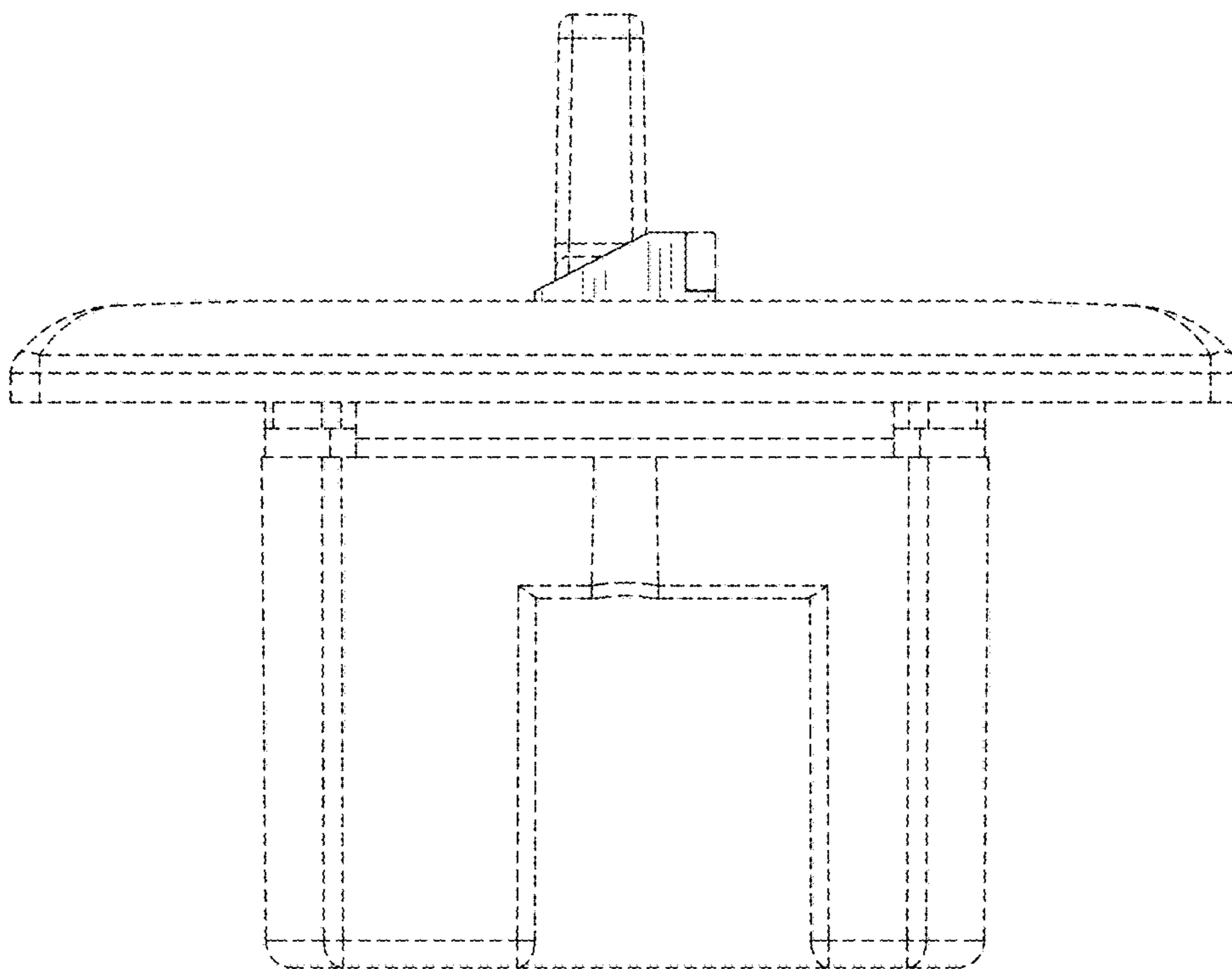


FIG. 7

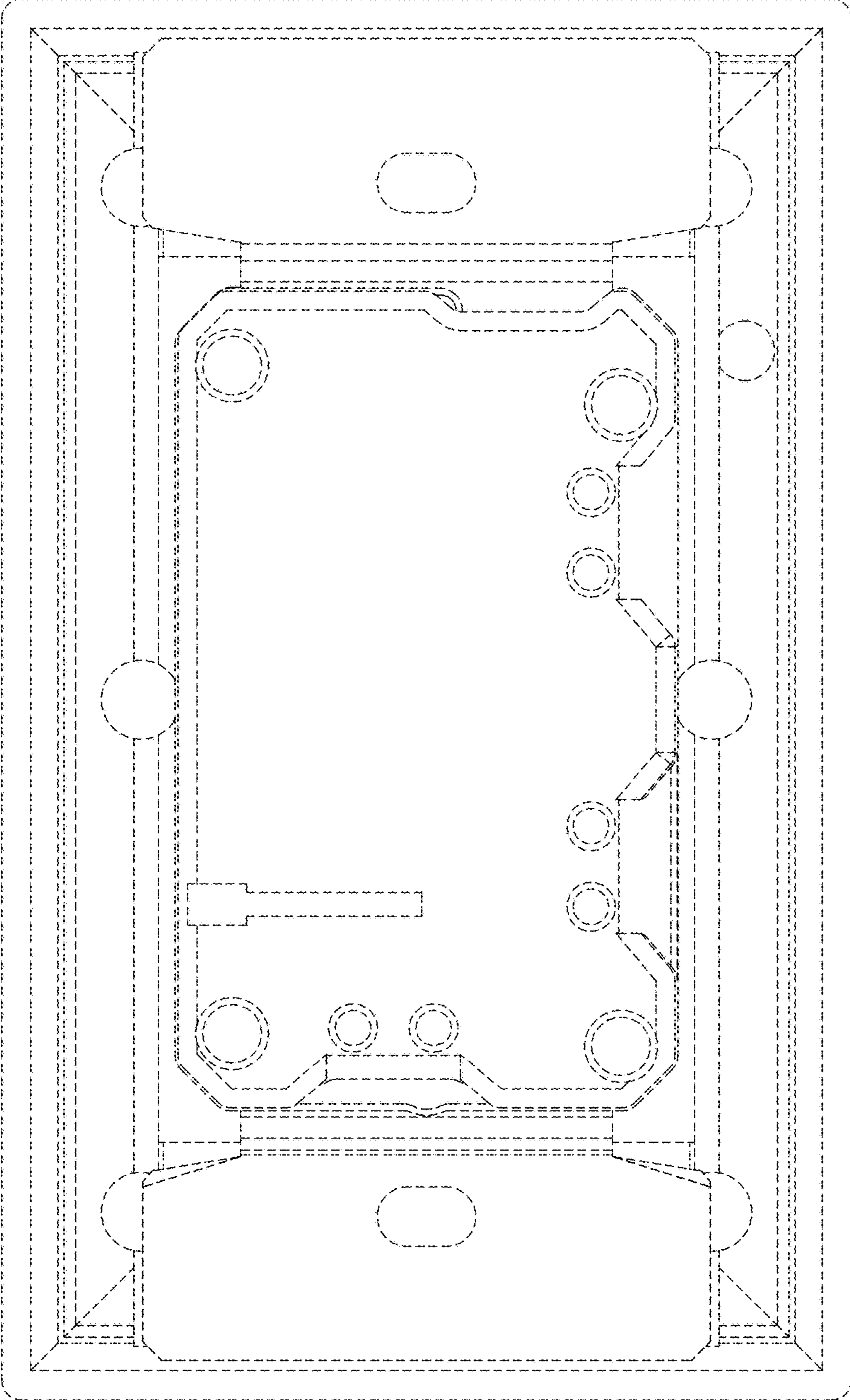


FIG. 8

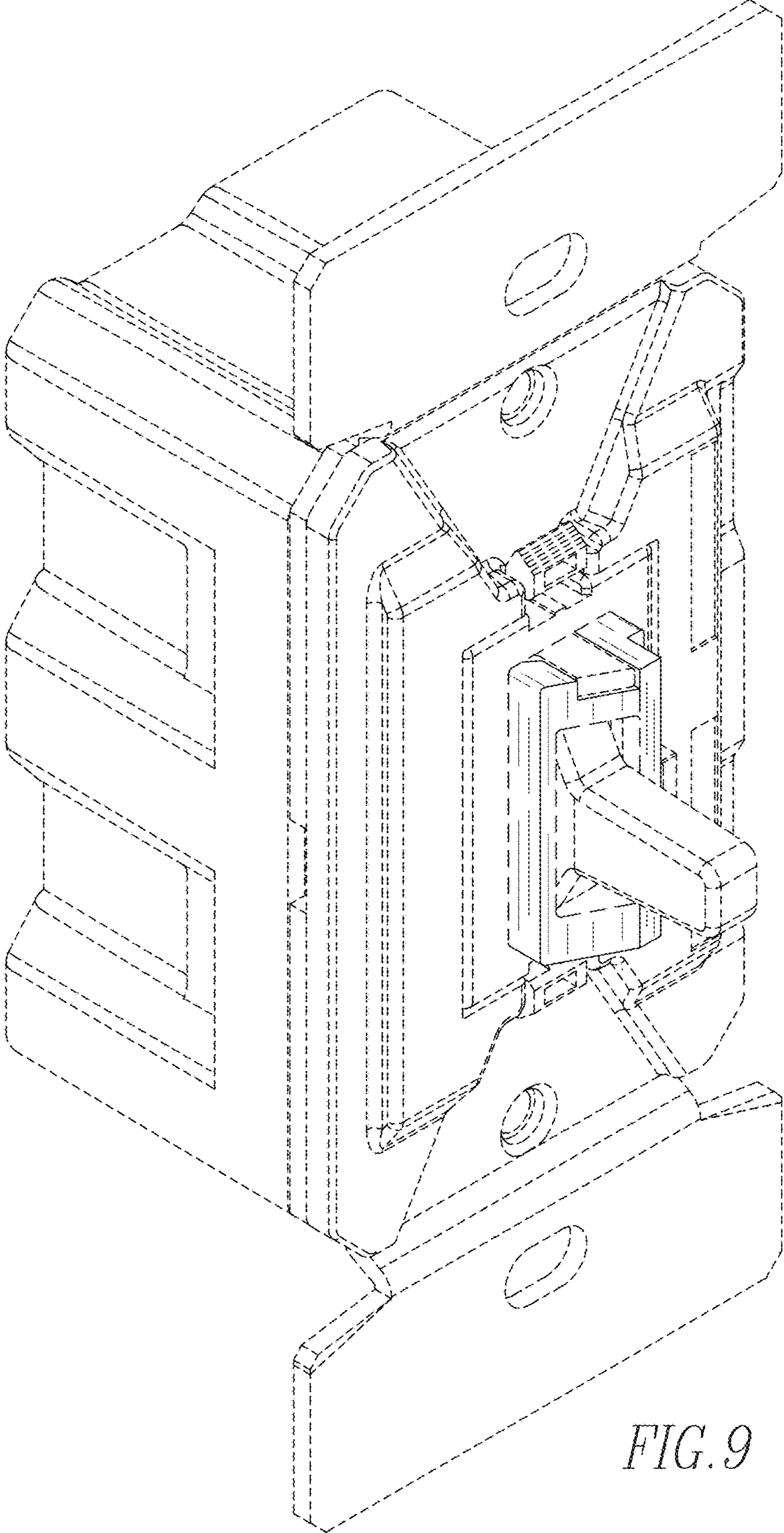


FIG. 9

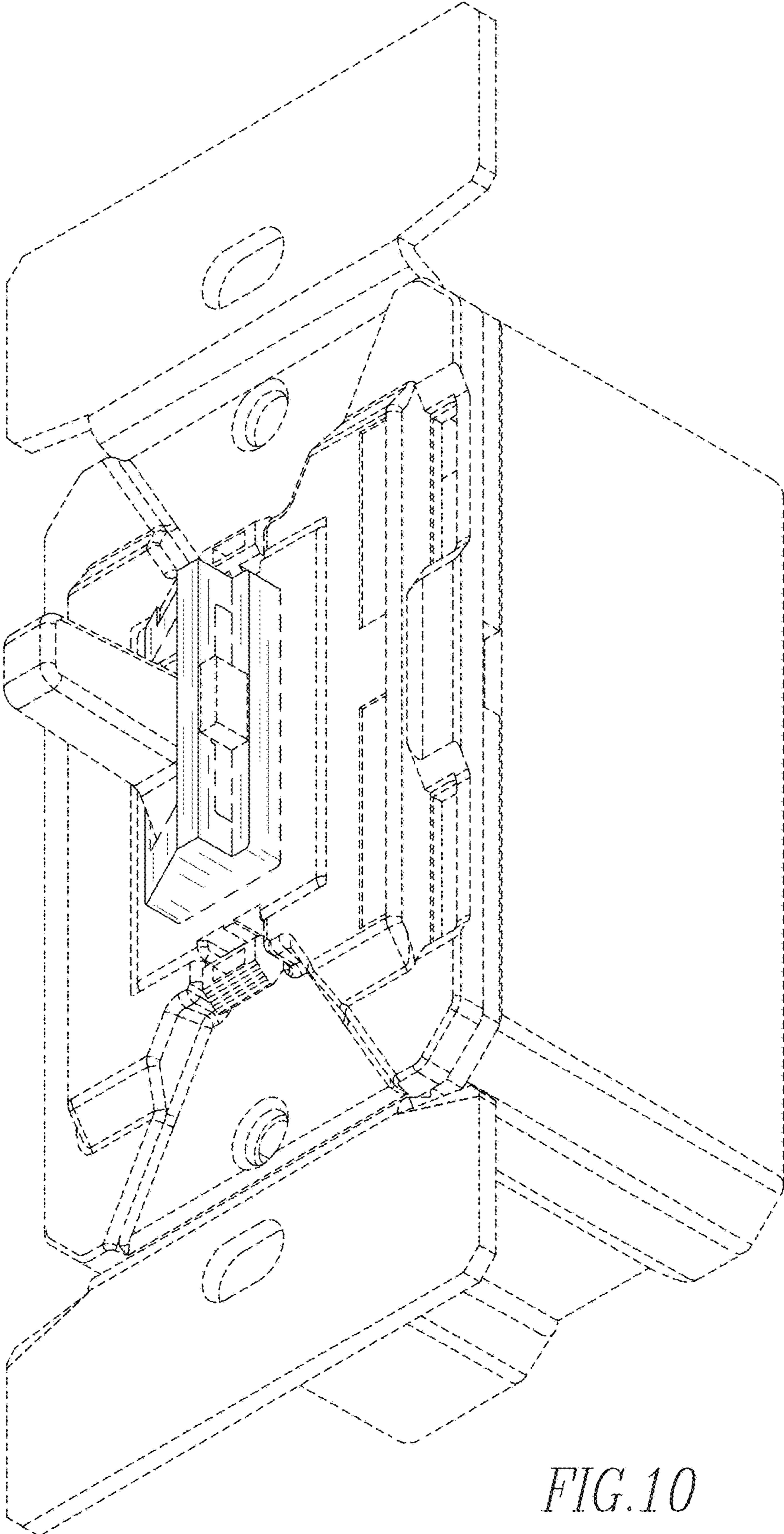


FIG.10

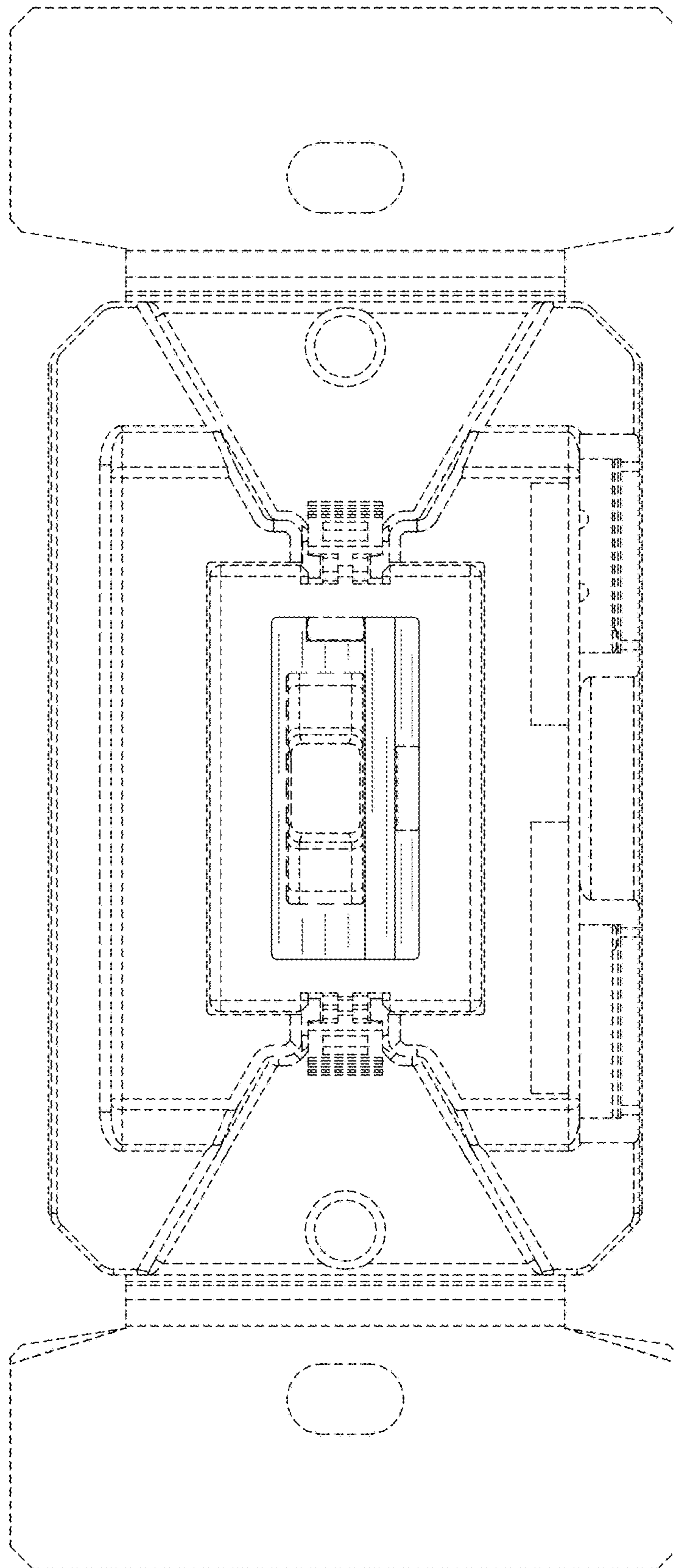


FIG. 11

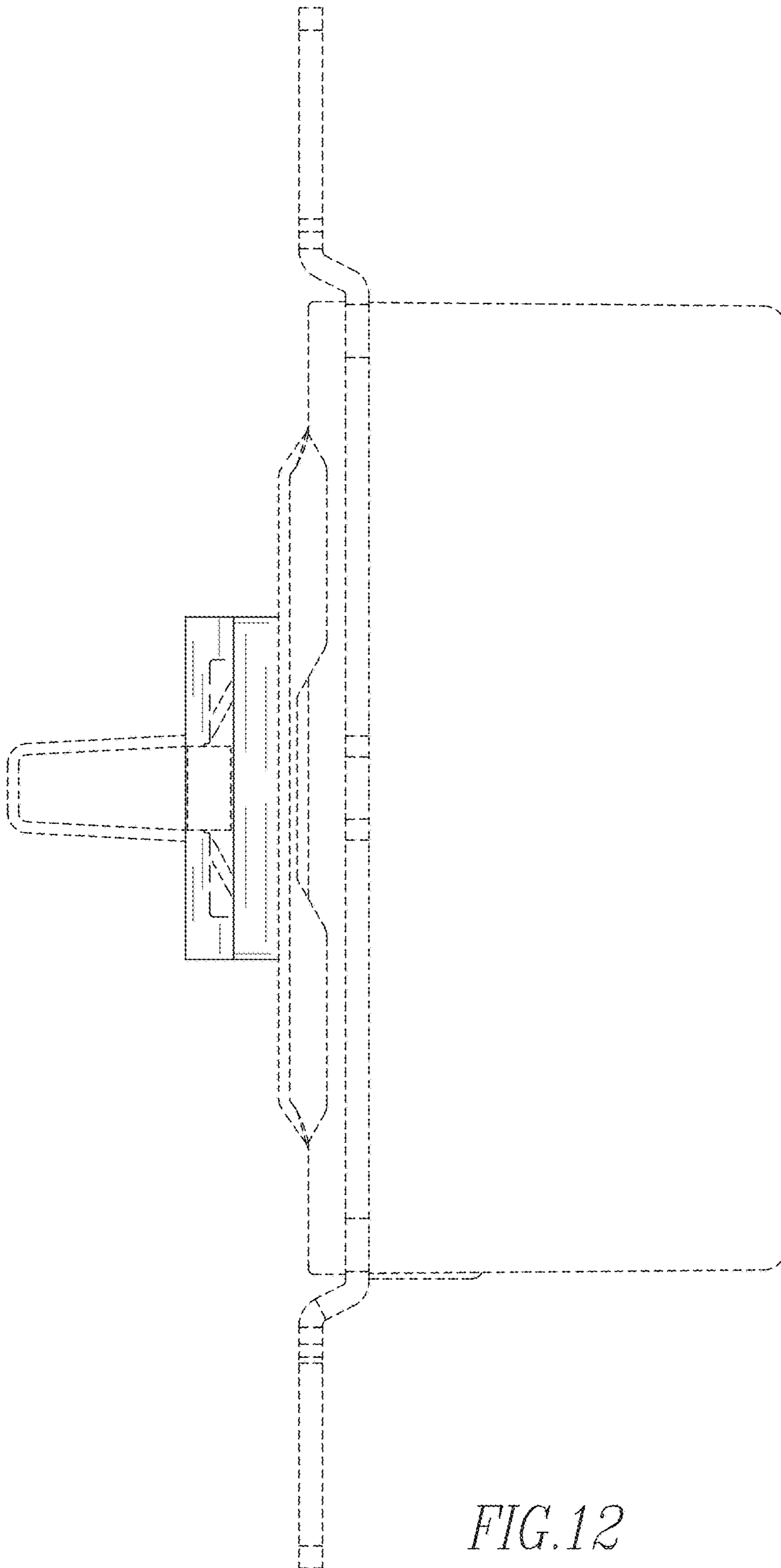


FIG. 12

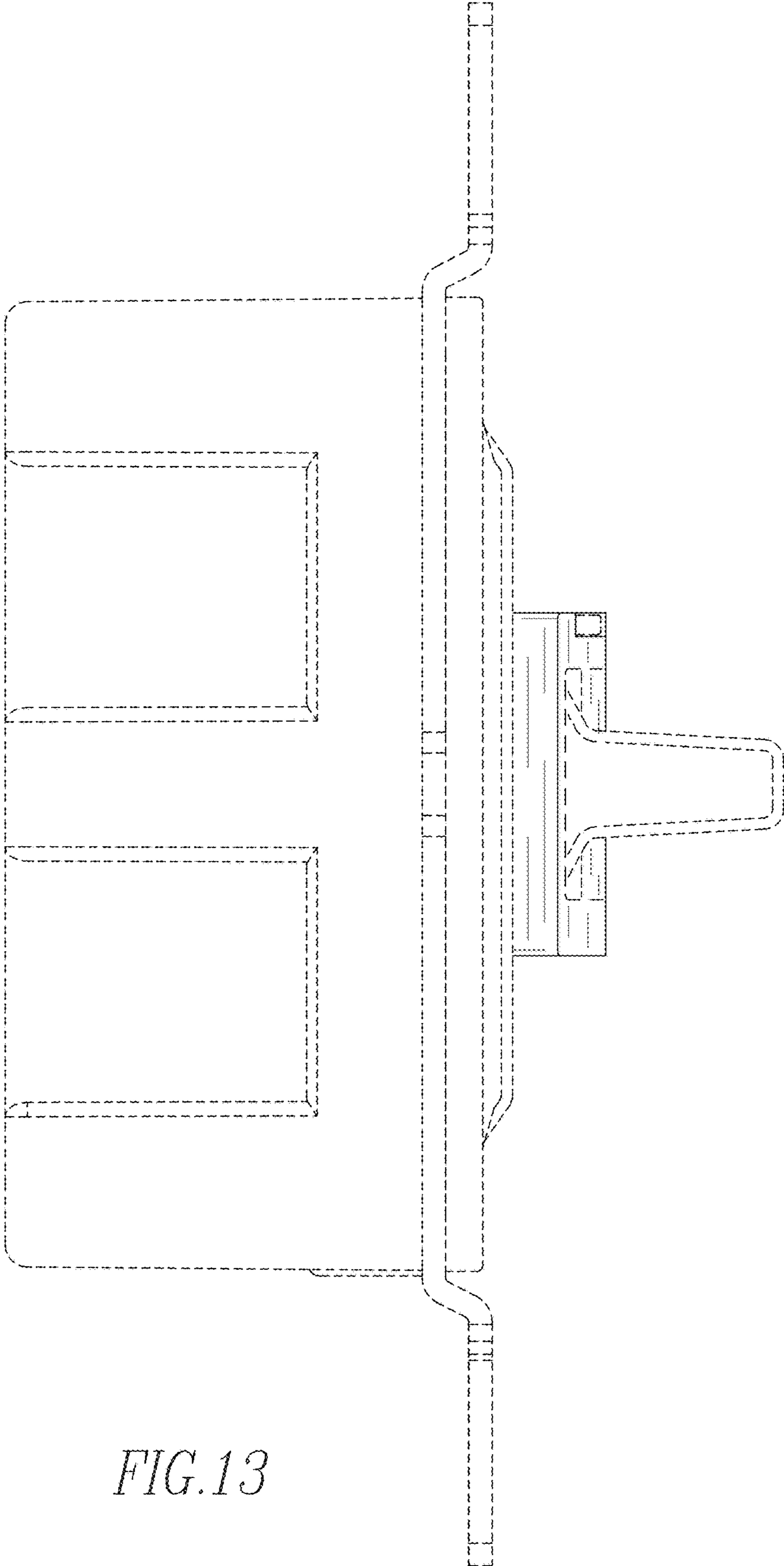


FIG. 13

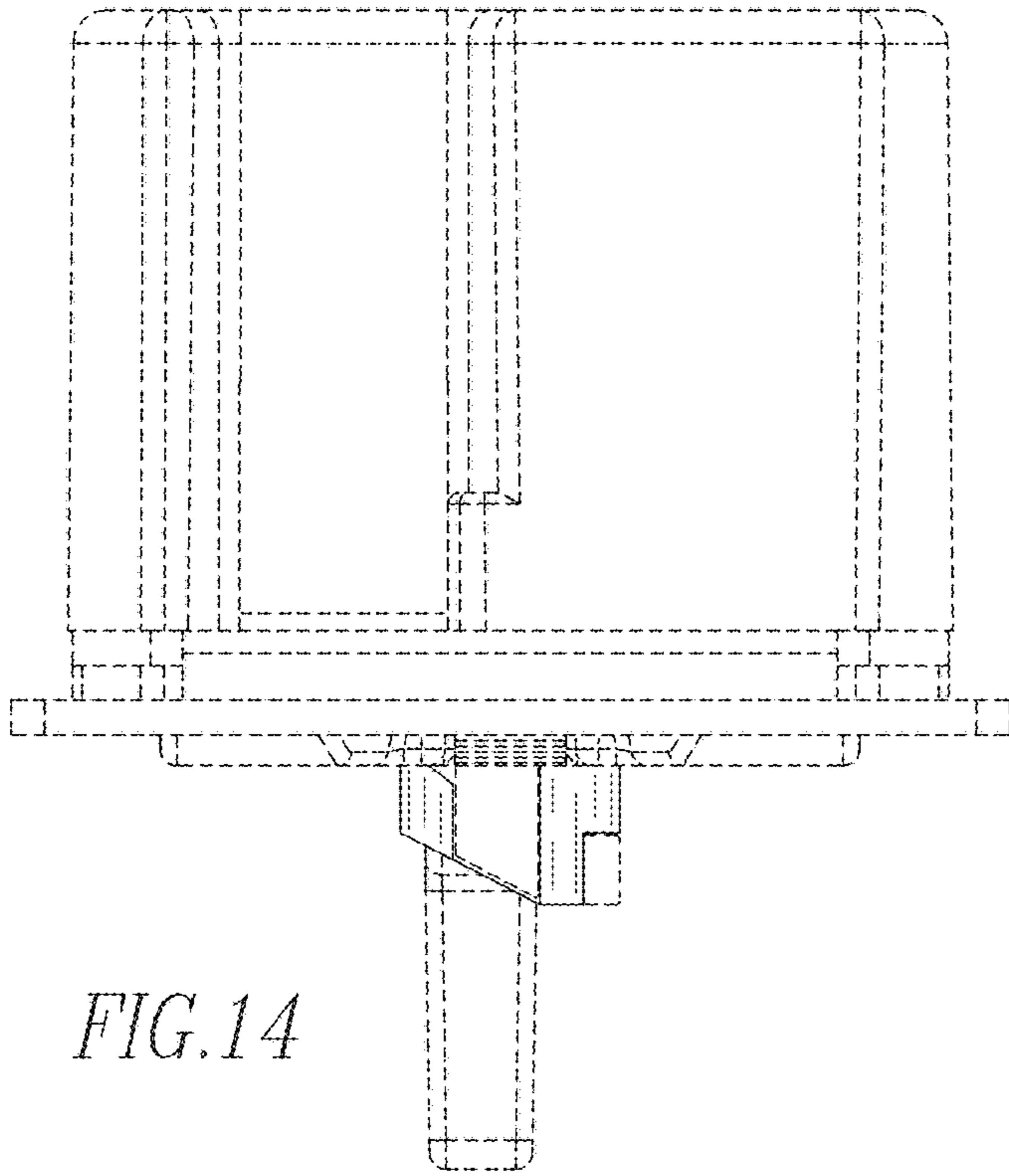


FIG. 14

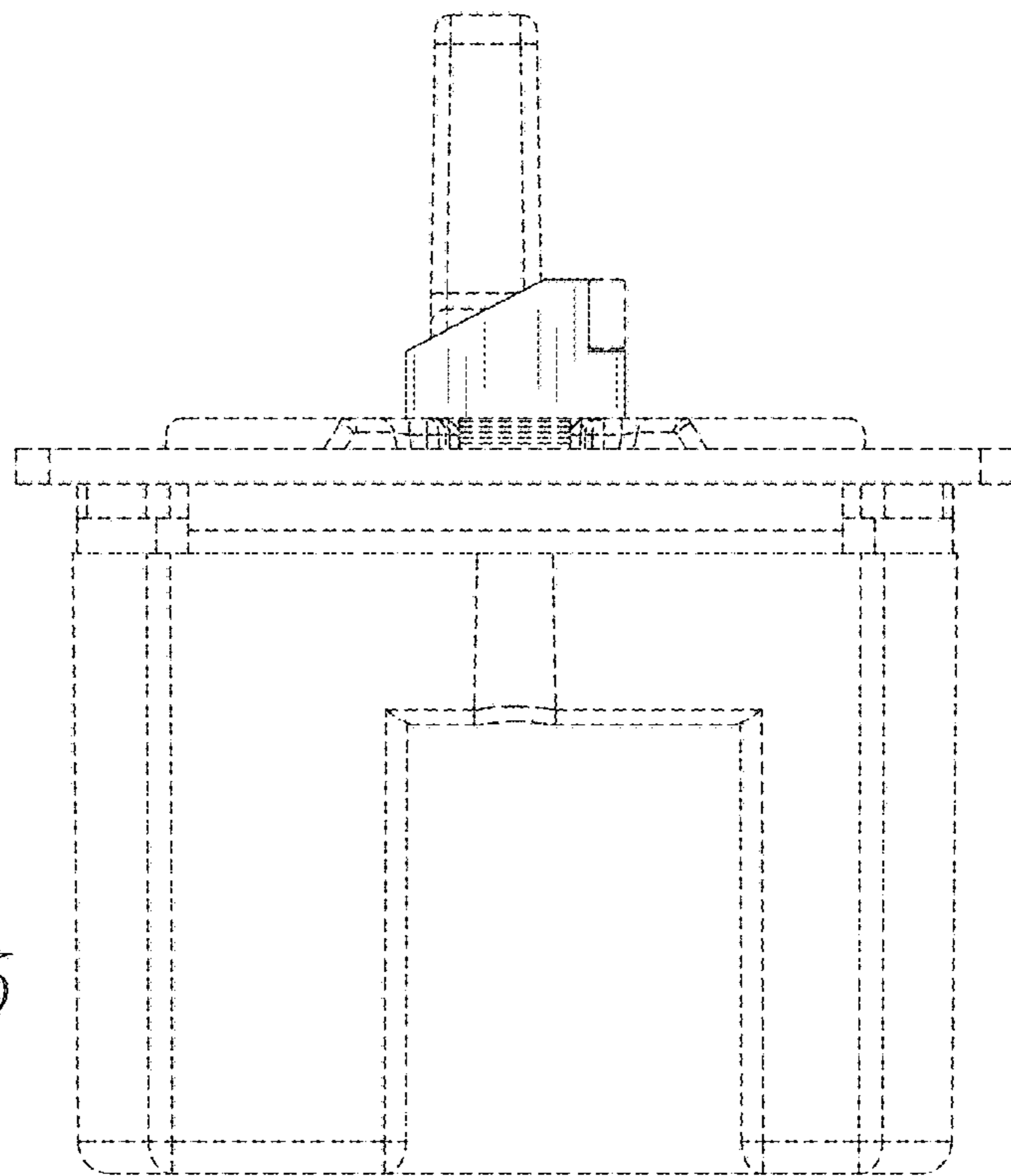


FIG. 15

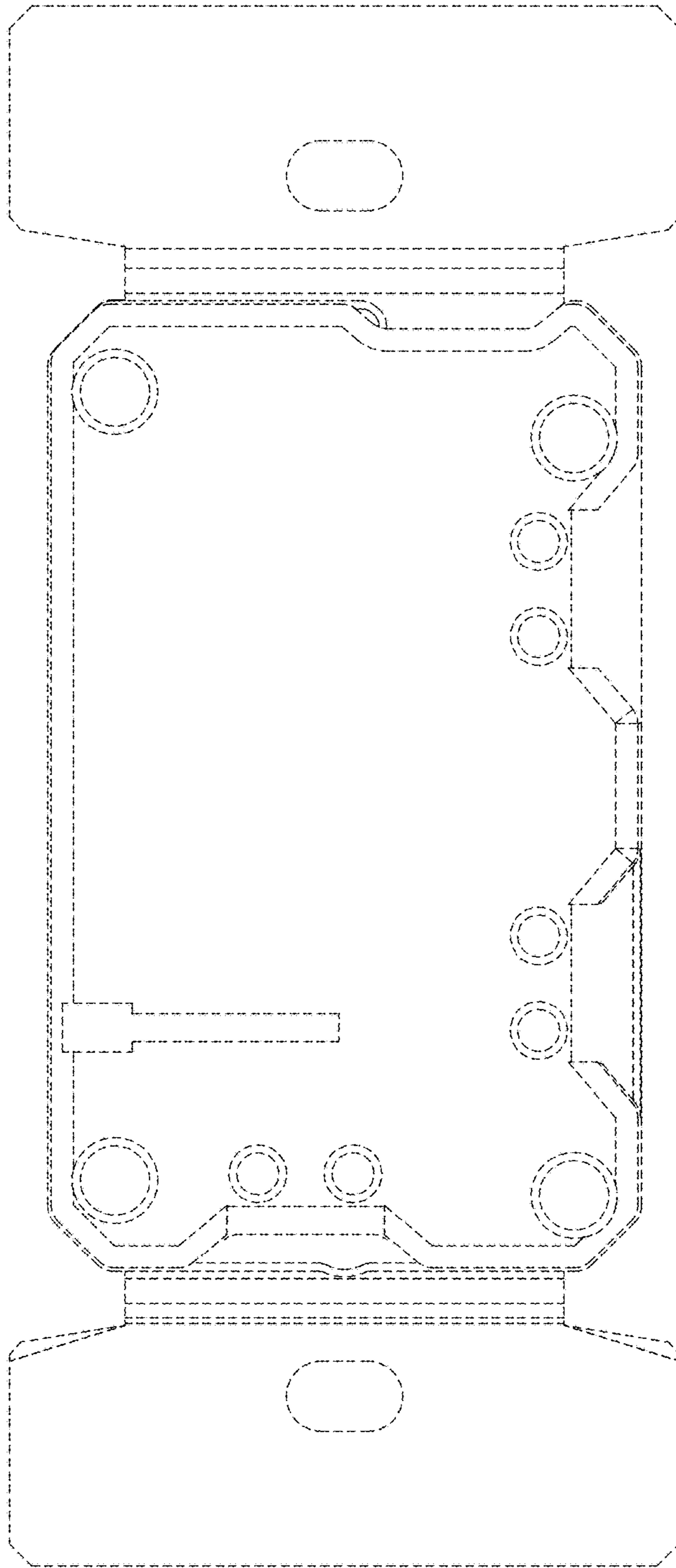


FIG. 16

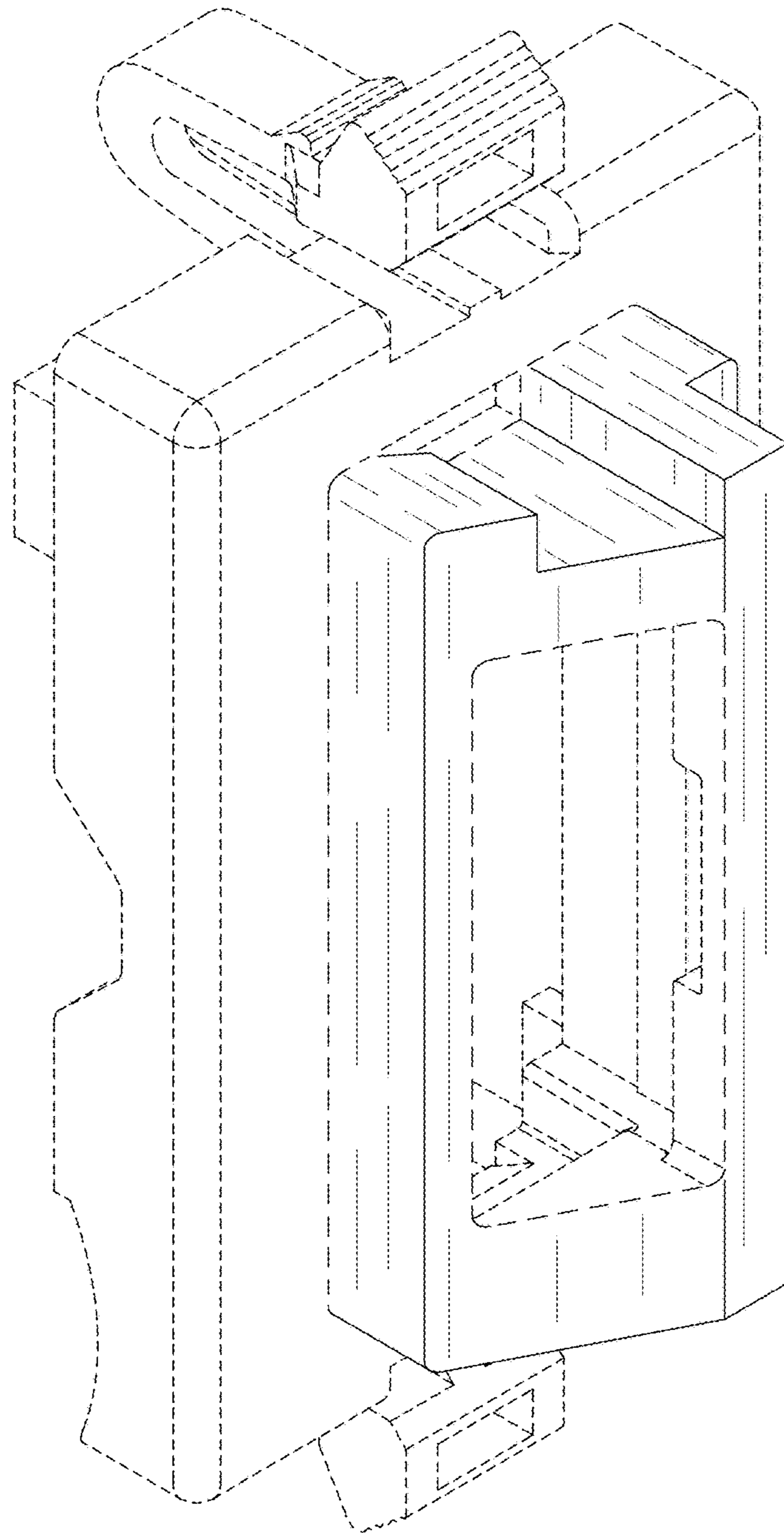


FIG. 17

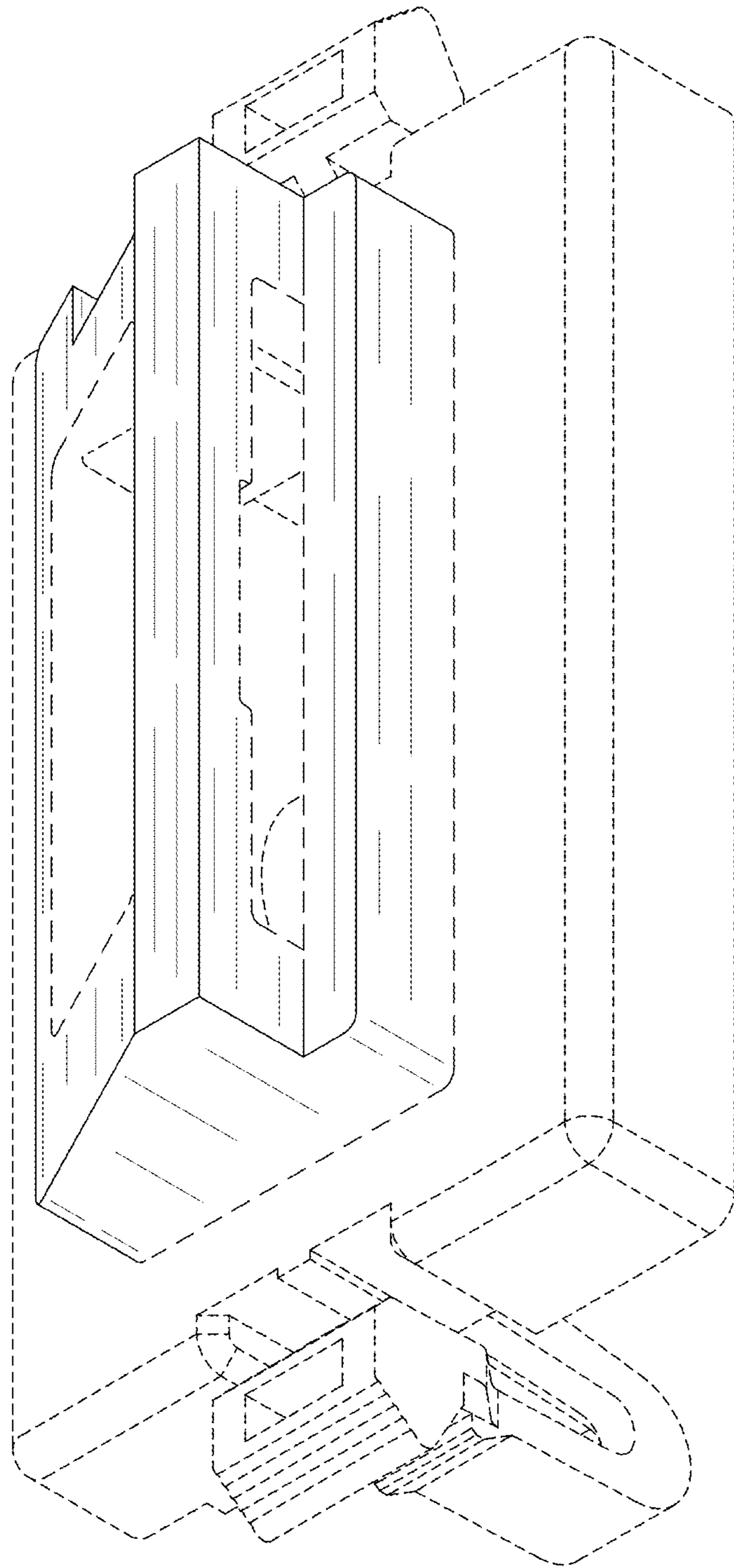


FIG. 18

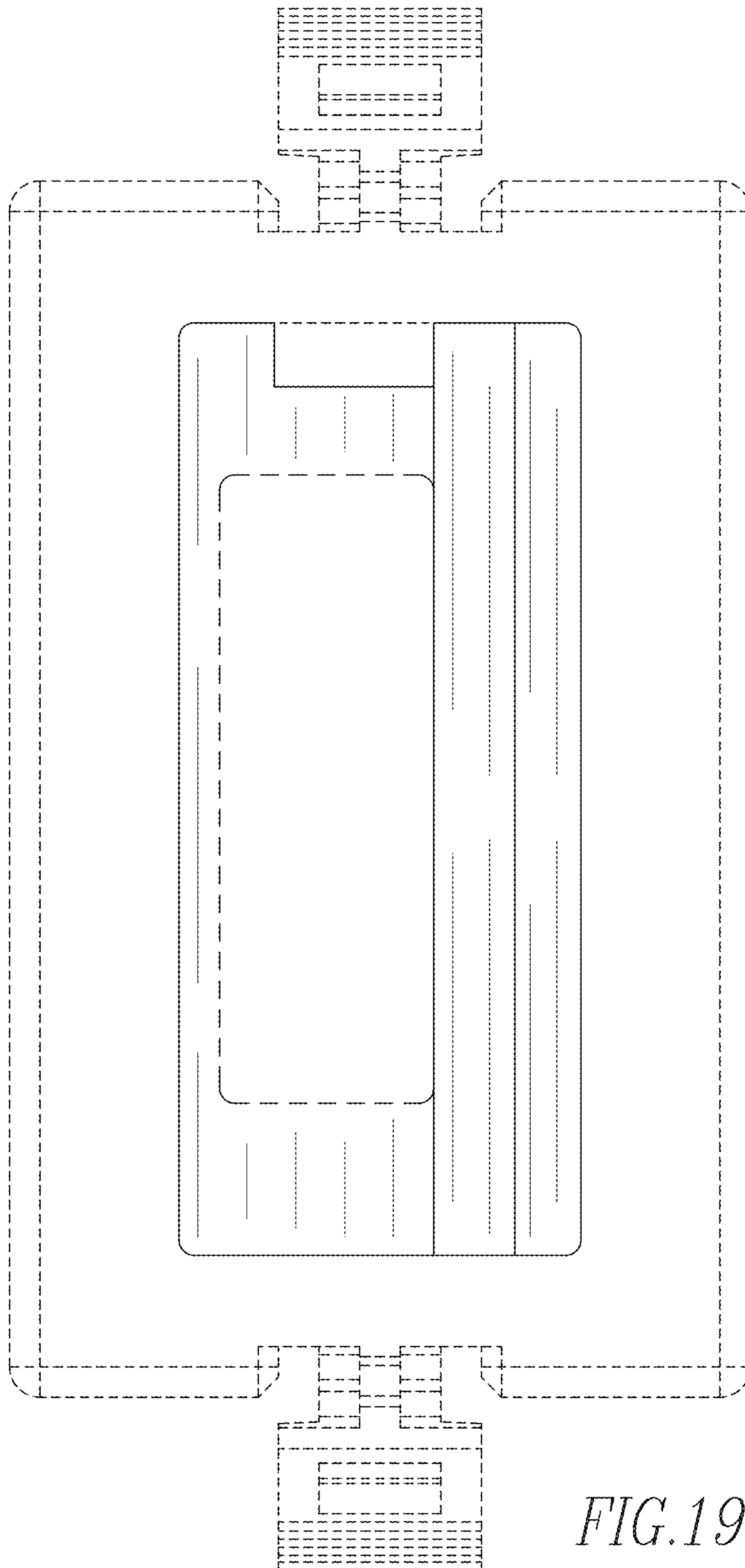


FIG. 19

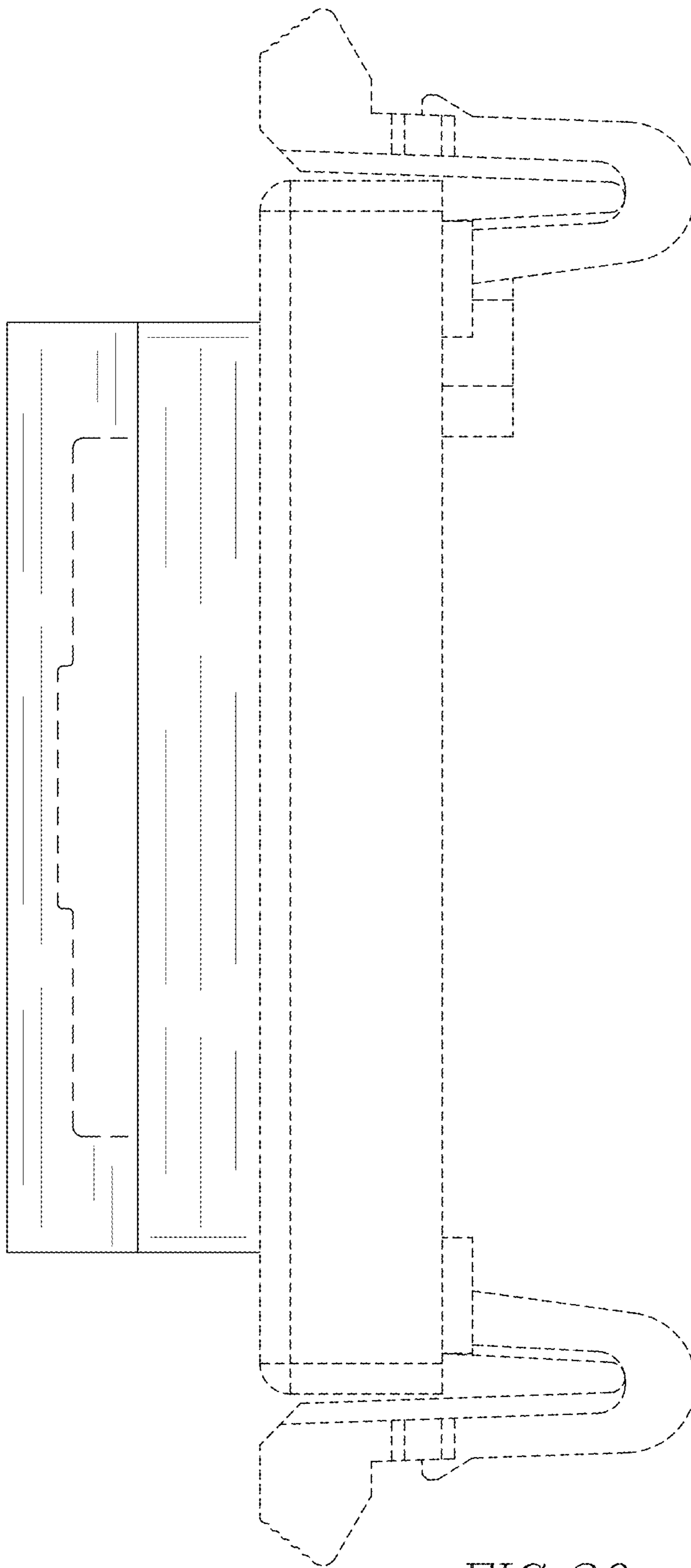


FIG. 20

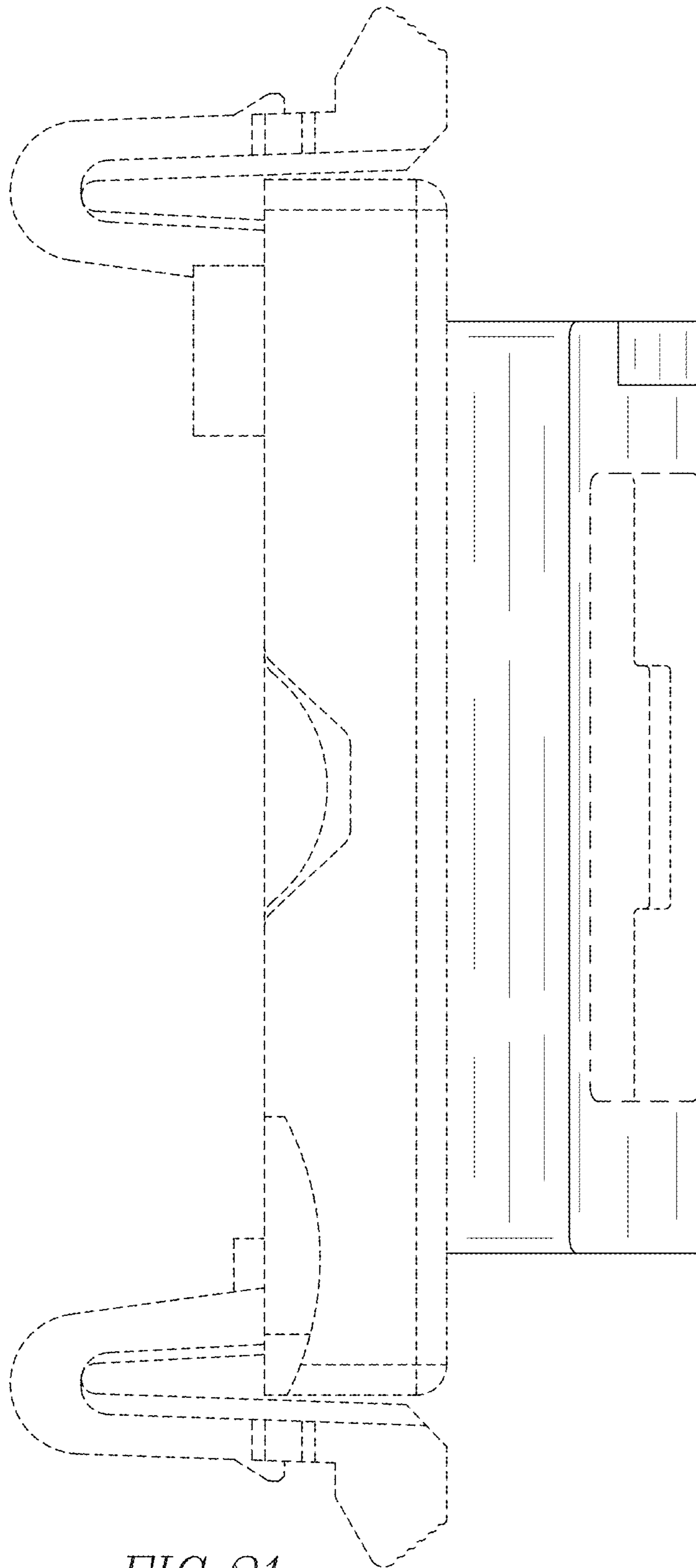
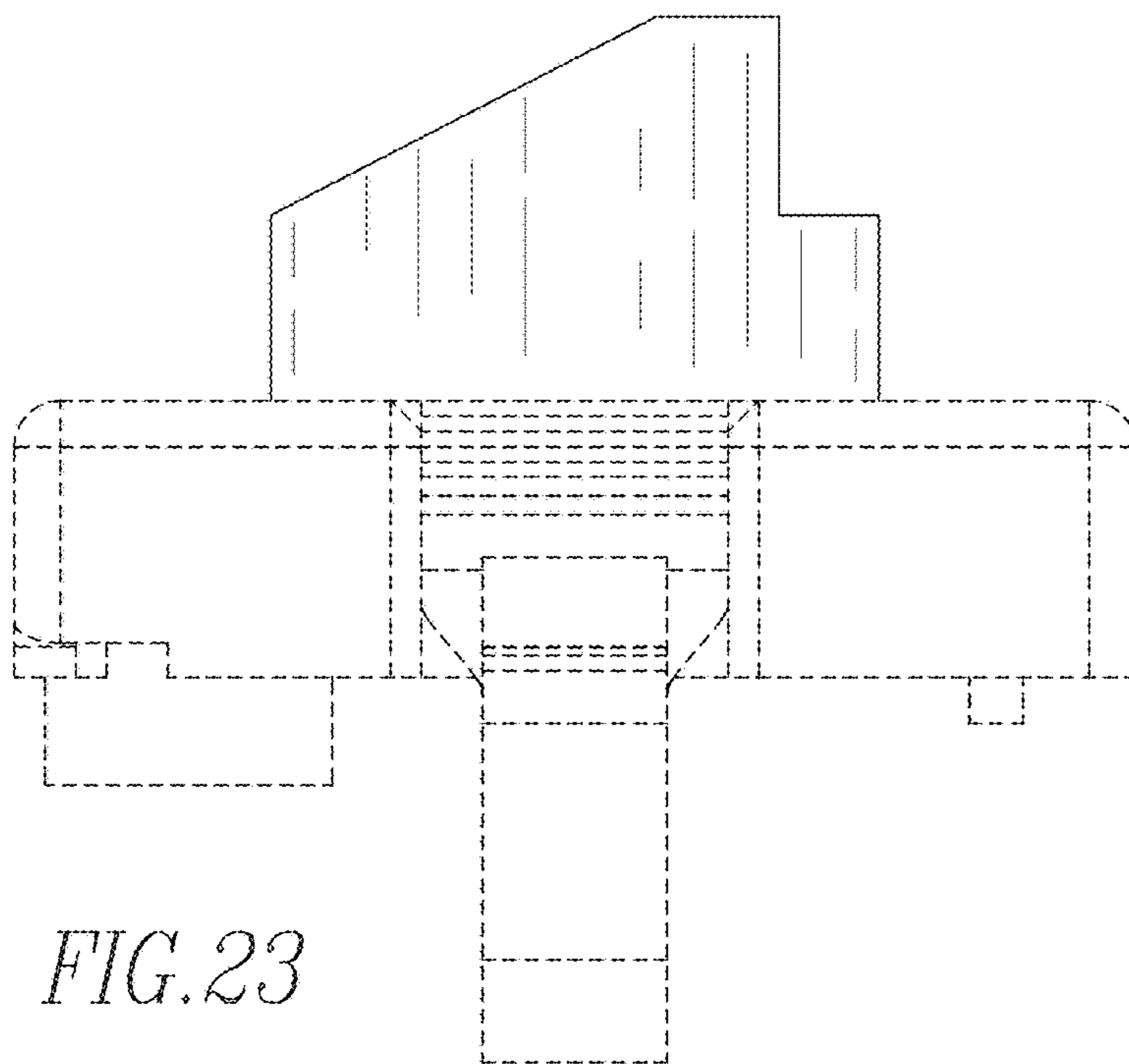
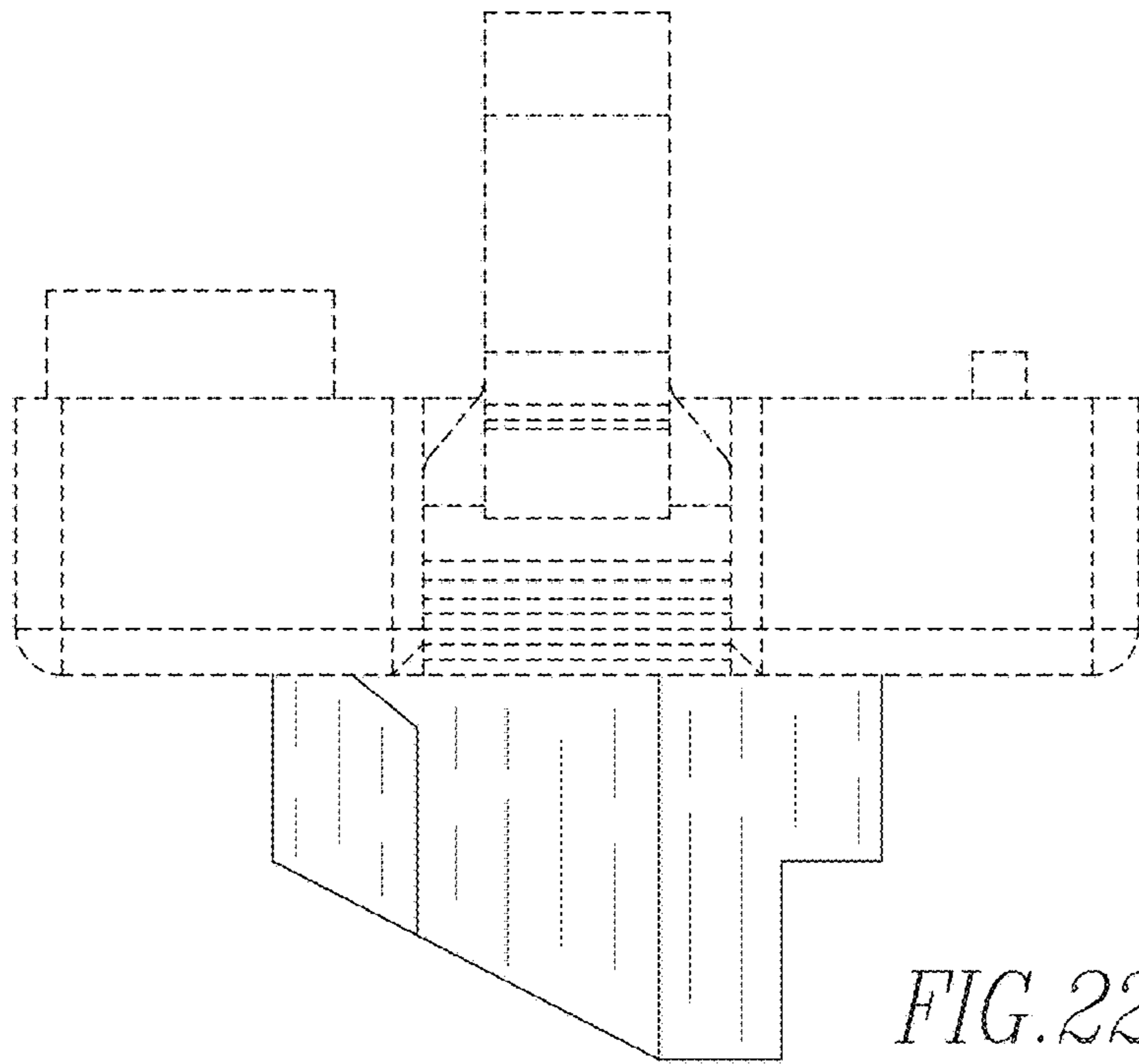


FIG. 21



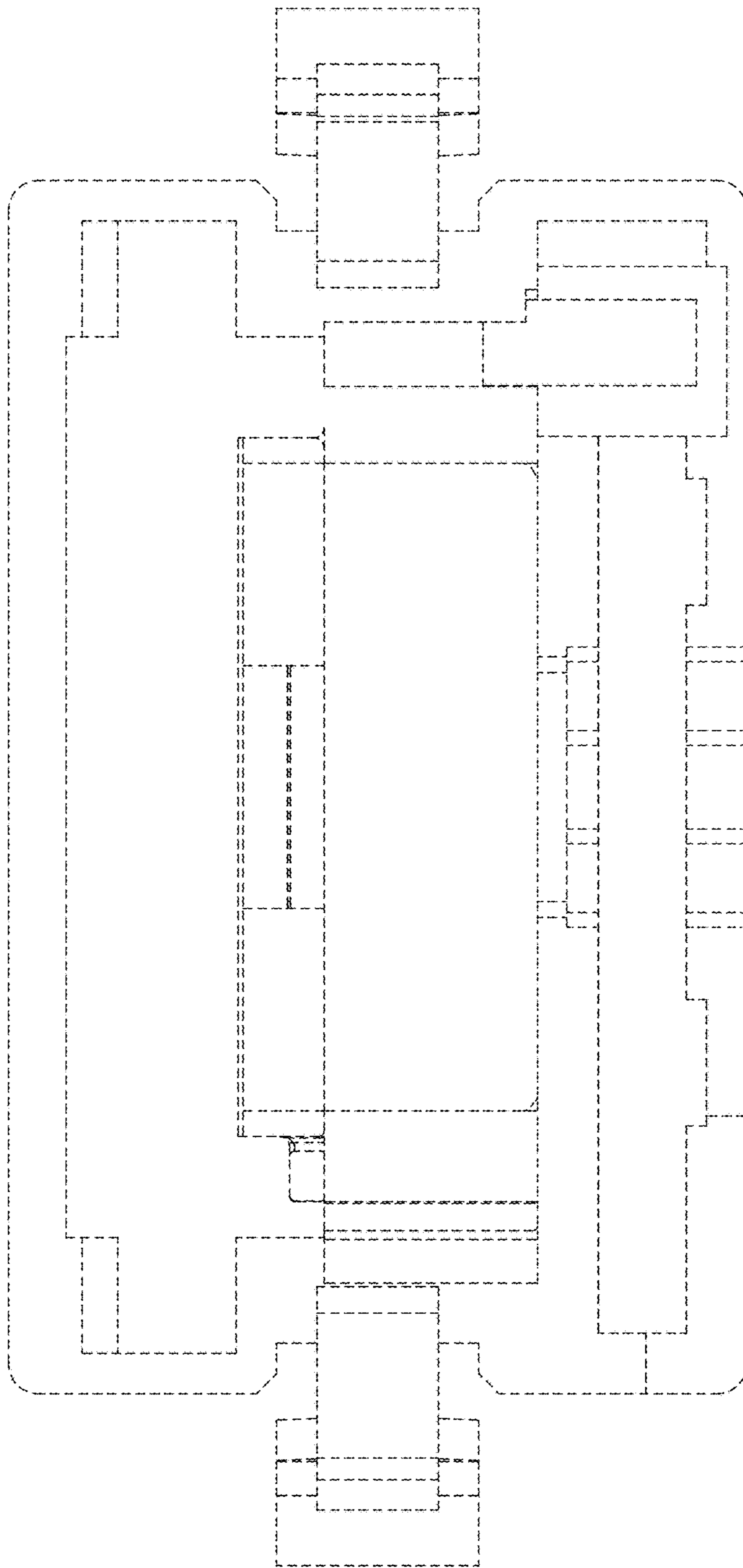


FIG. 24