



US00D780700S

(12) **United States Design Patent**  
**Lacey et al.**

(10) **Patent No.:** **US D780,700 S**  
(45) **Date of Patent:** **\*\* Mar. 7, 2017**

(54) **SWITCH APPARATUS**

(71) Applicant: **EATON CORPORATION**, Cleveland, OH (US)

(72) Inventors: **Darron Kirby Lacey**, Fayetteville, GA (US); **Pramod Kumar**, Peachtree City, GA (US)

(73) Assignee: **EATON CORPORATION**, Cleveland, OH (US)

(\*\*) Term: **15 Years**

(21) Appl. No.: **29/534,685**

(22) Filed: **Jul. 30, 2015**

(51) **LOC (10) Cl.** ..... **13-03**

(52) **U.S. Cl.**  
USPC ..... **D13/173**

(58) **Field of Classification Search**  
USPC ..... D13/162, 169, 170, 171, 173, 174;  
200/303, 315, 327, 339

(Continued)

(56) **References Cited**

**U.S. PATENT DOCUMENTS**

3,059,045 A \* 10/1962 Swartwood ..... H02B 1/04  
174/53

3,335,900 A \* 8/1967 Mackiewicz ..... H02G 3/14  
174/53

(Continued)

*Primary Examiner* — Selina Sikder

(74) *Attorney, Agent, or Firm* — Eckert Seamans; Brij K. Agarwal; Grant E. Coffield

(57) **CLAIM**

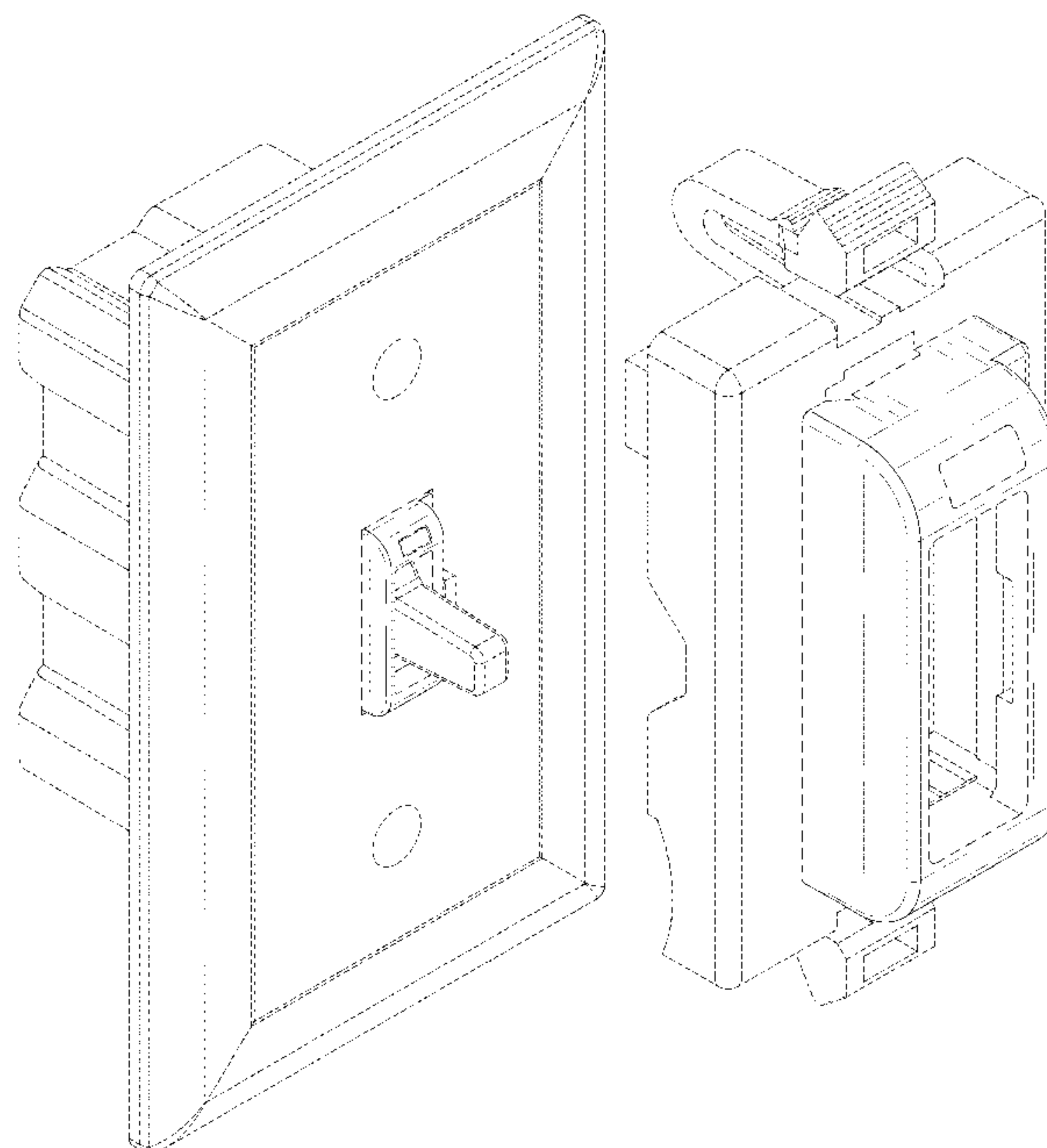
The ornamental design for a switch apparatus, as shown and described.

**DESCRIPTION**

FIG. 1 is an upper left perspective view of a first embodiment of the switch apparatus;  
FIG. 2 is an lower right perspective view thereof;  
FIG. 3 is a front elevational view thereof;  
FIG. 4 is a right side elevational view thereof;  
FIG. 5 is a left side elevational view thereof;  
FIG. 6 is a top plan view thereof;  
FIG. 7 is a bottom plan view thereof; and  
FIG. 8 is a rear elevational view thereof;  
FIG. 9 is an upper left perspective view of a second embodiment of the switch apparatus;  
FIG. 10 is an lower right perspective view thereof;  
FIG. 11 is a front elevational view thereof;  
FIG. 12 is a right side elevational view thereof;  
FIG. 13 is a left side elevational view thereof;  
FIG. 14 is a top plan view thereof;  
FIG. 15 is a bottom plan view thereof; and  
FIG. 16 is a rear elevational view thereof;  
FIG. 17 is an upper left perspective view of a third embodiment of the switch apparatus;  
FIG. 18 is an lower right perspective view thereof;  
FIG. 19 is a front elevational view thereof;  
FIG. 20 is a right side elevational view thereof;  
FIG. 21 is a left side elevational view thereof;  
FIG. 22 is a top plan view thereof;  
FIG. 23 is a bottom plan view thereof; and,  
FIG. 24 is a rear elevational view thereof.

The long-dashed lines are for illustration of the boundary between claimed subject matter and unclaimed subject matter only and form no part of the claimed design. The short-dashed lines are for illustration of environmental subject matter only and form no part of the claimed design.

**1 Claim, 21 Drawing Sheets**



(58) **Field of Classification Search**  
 CPC ..... H01H 9/02; H01H 3/02; H01H 3/0213;  
 H01H 15/06; H01H 23/00; H01H 23/02;  
 H01H 23/04; H01H 23/08; H01H 23/146;  
 H01H 23/148; H01H 23/164; H01H  
 23/20; H01H 71/521; H01H 71/522;  
 H02G 3/14; H05B 37/02; H05B 39/08;  
 Y10T 307/937

See application file for complete search history.

(56) **References Cited**

U.S. PATENT DOCUMENTS

5,262,678 A \* 11/1993 Flowers ..... H01H 3/0213  
 200/335  
 D342,234 S \* 12/1993 Graybill, Jr. .... D13/169  
 5,340,954 A \* 8/1994 Hoffman ..... H01H 23/00  
 200/277.2  
 5,543,595 A \* 8/1996 Mader ..... H01H 71/501  
 200/401  
 5,669,484 A \* 9/1997 Paulson ..... H01H 9/287  
 200/43.01

6,259,351 B1 \* 7/2001 Radosavljevic ..... H01C 10/38  
 338/153  
 6,420,669 B1 \* 7/2002 Shenker ..... H01H 23/20  
 200/288  
 6,774,328 B2 \* 8/2004 Adams ..... H05B 39/00  
 200/329  
 D542,742 S \* 5/2007 Spira ..... D13/170  
 D543,511 S \* 5/2007 Altonen ..... D13/162  
 D546,771 S \* 7/2007 Spira ..... D13/162  
 D566,052 S \* 4/2008 Ochs ..... D13/170  
 D603,809 S \* 11/2009 Mathew ..... D13/169  
 7,638,723 B1 \* 12/2009 Dodal ..... H01H 23/205  
 200/339  
 7,745,750 B2 \* 6/2010 Hewson ..... H01H 3/0213  
 200/315  
 8,124,898 B2 \* 2/2012 Mathew ..... H01H 23/025  
 200/18  
 8,643,220 B1 \* 2/2014 Bhosale ..... H03K 17/725  
 307/115  
 D707,638 S \* 6/2014 Bhosale ..... D13/169  
 2014/0151203 A1 \* 6/2014 Gouhl ..... H01H 23/146  
 200/303

\* cited by examiner

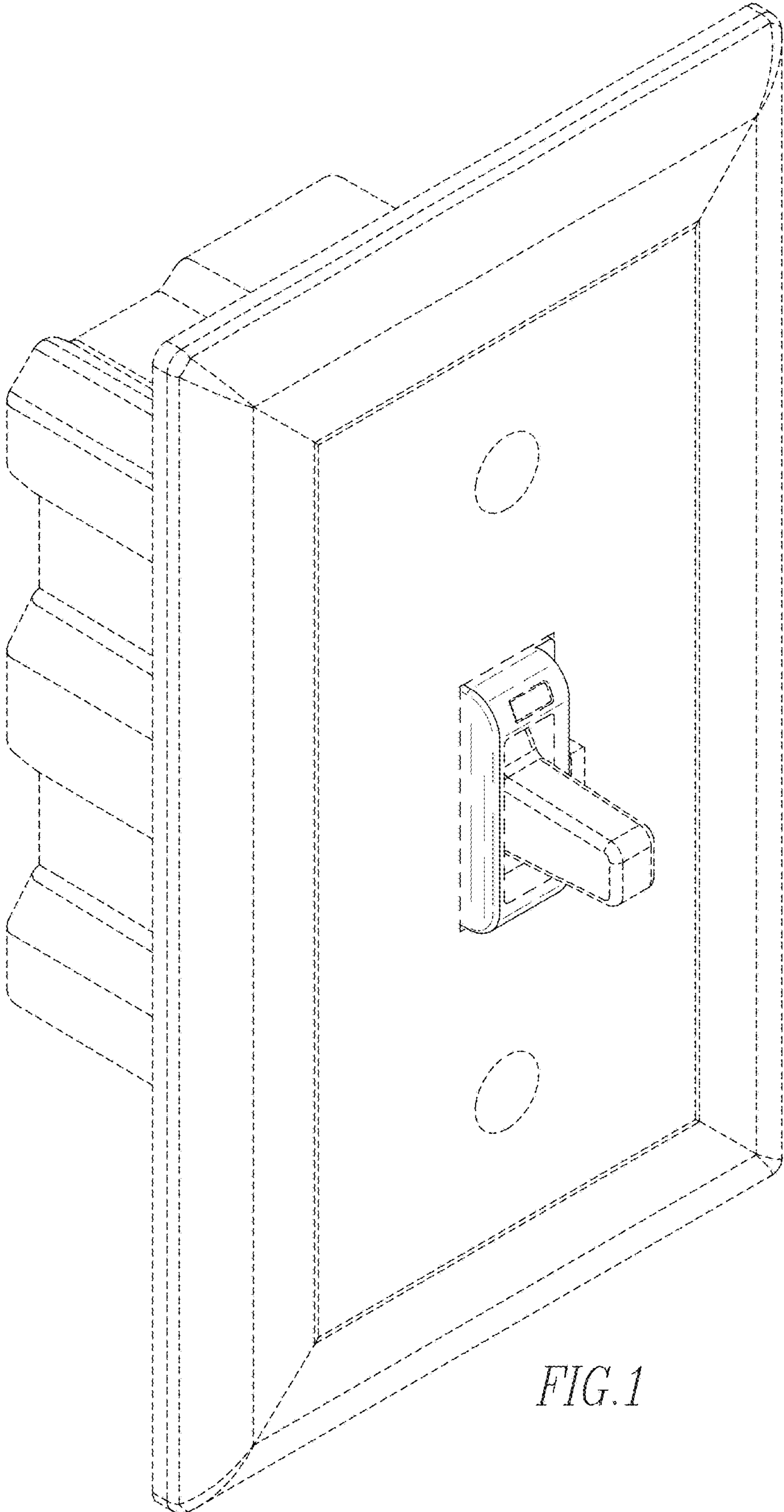


FIG. 1

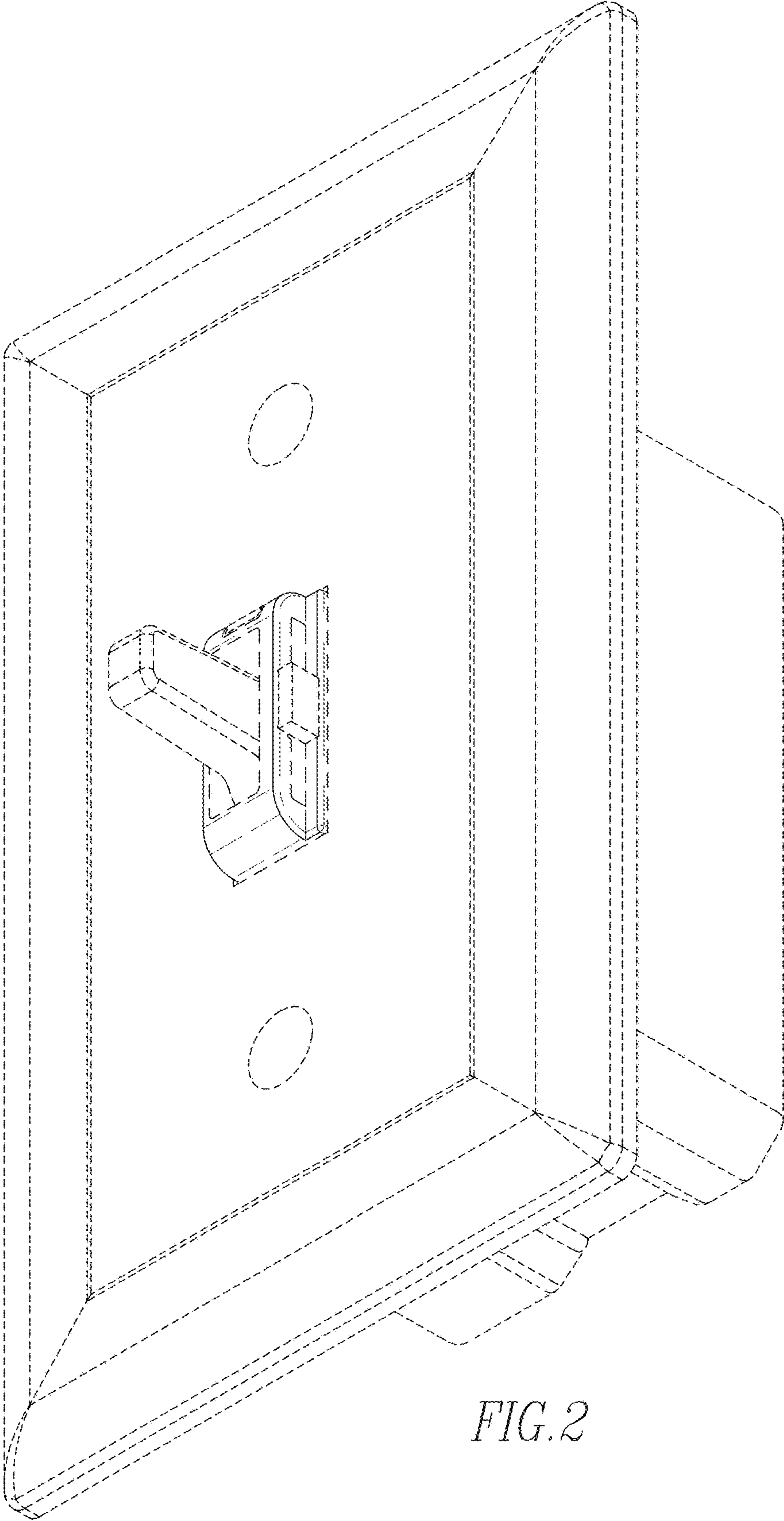


FIG. 2



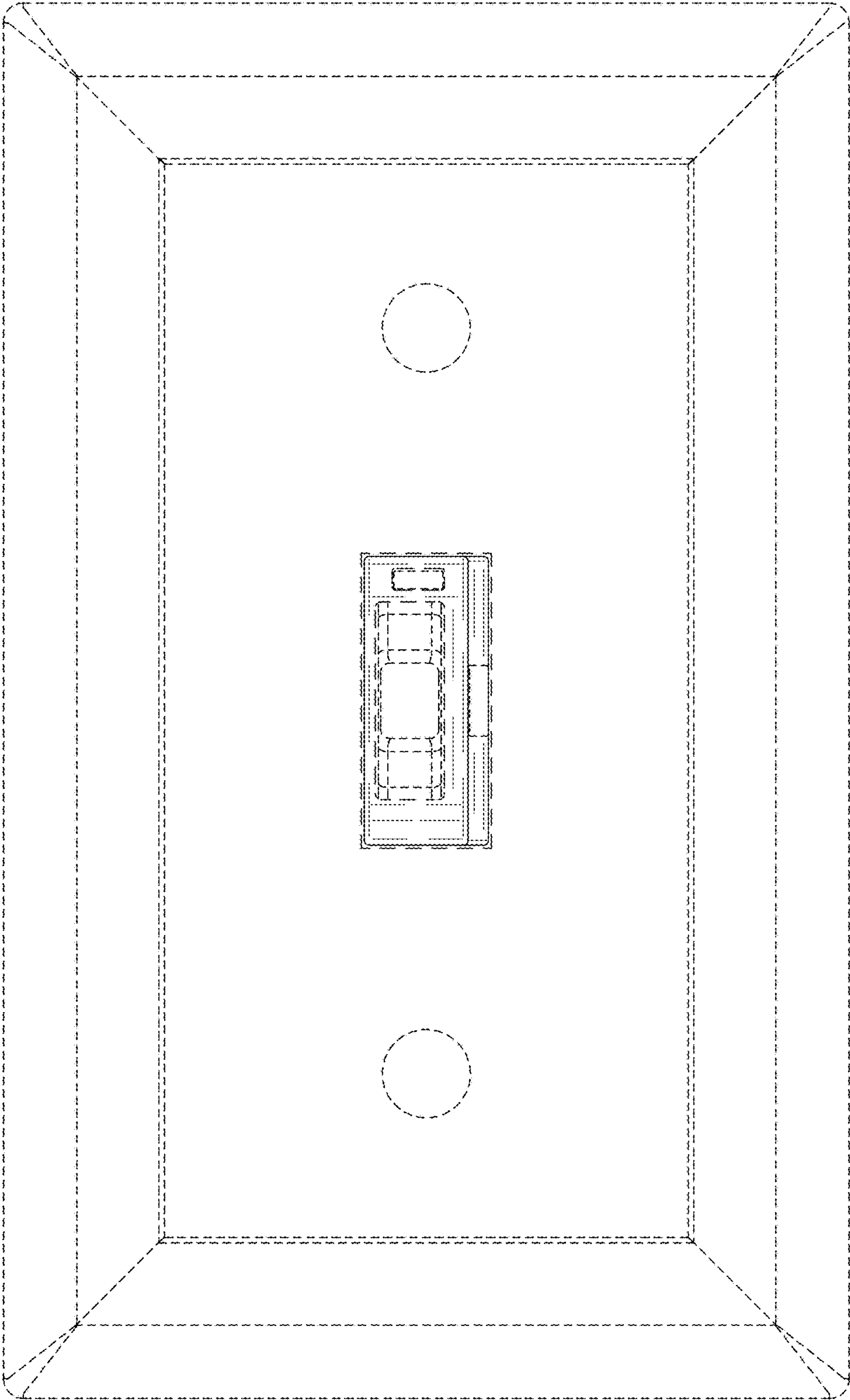


FIG. 3

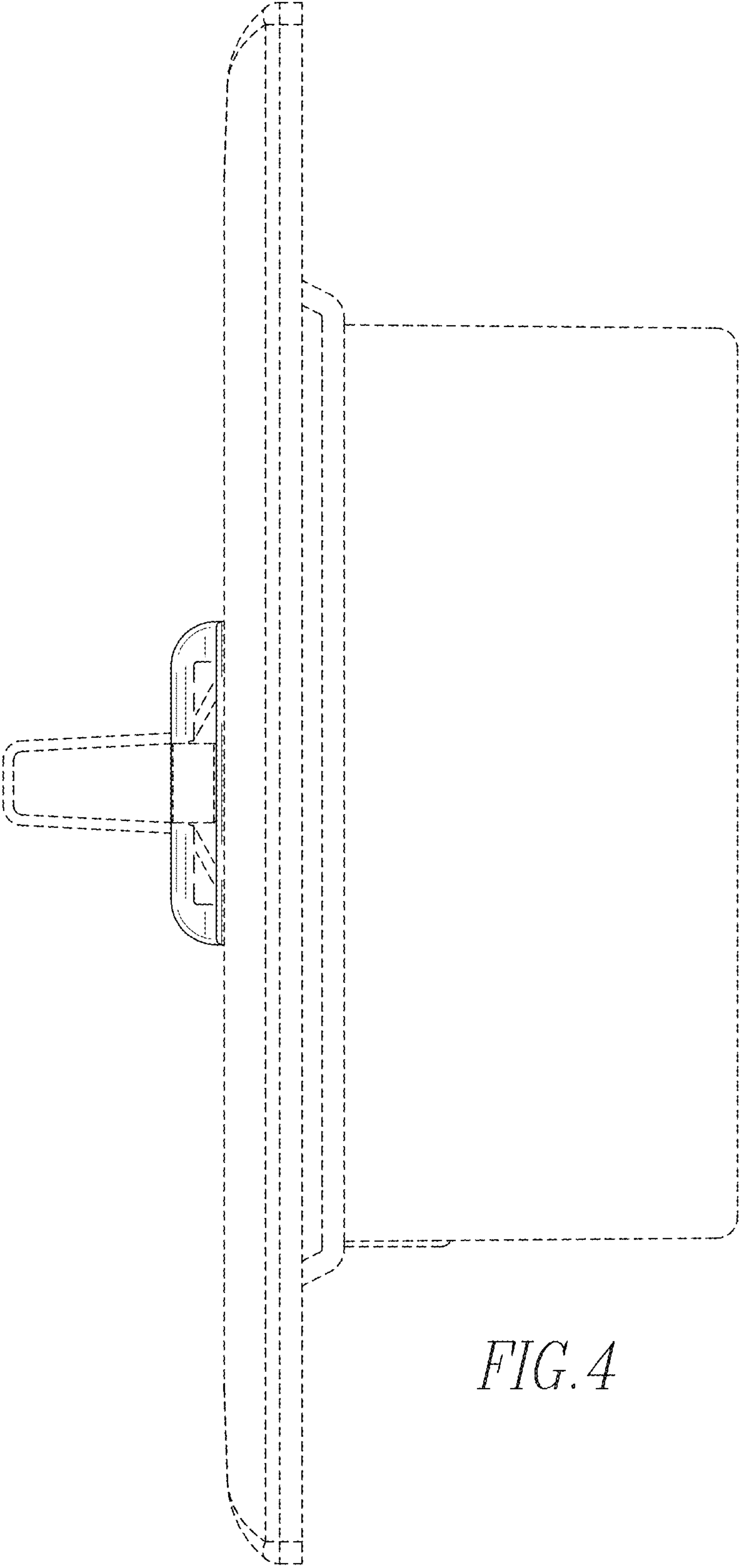


FIG. 4

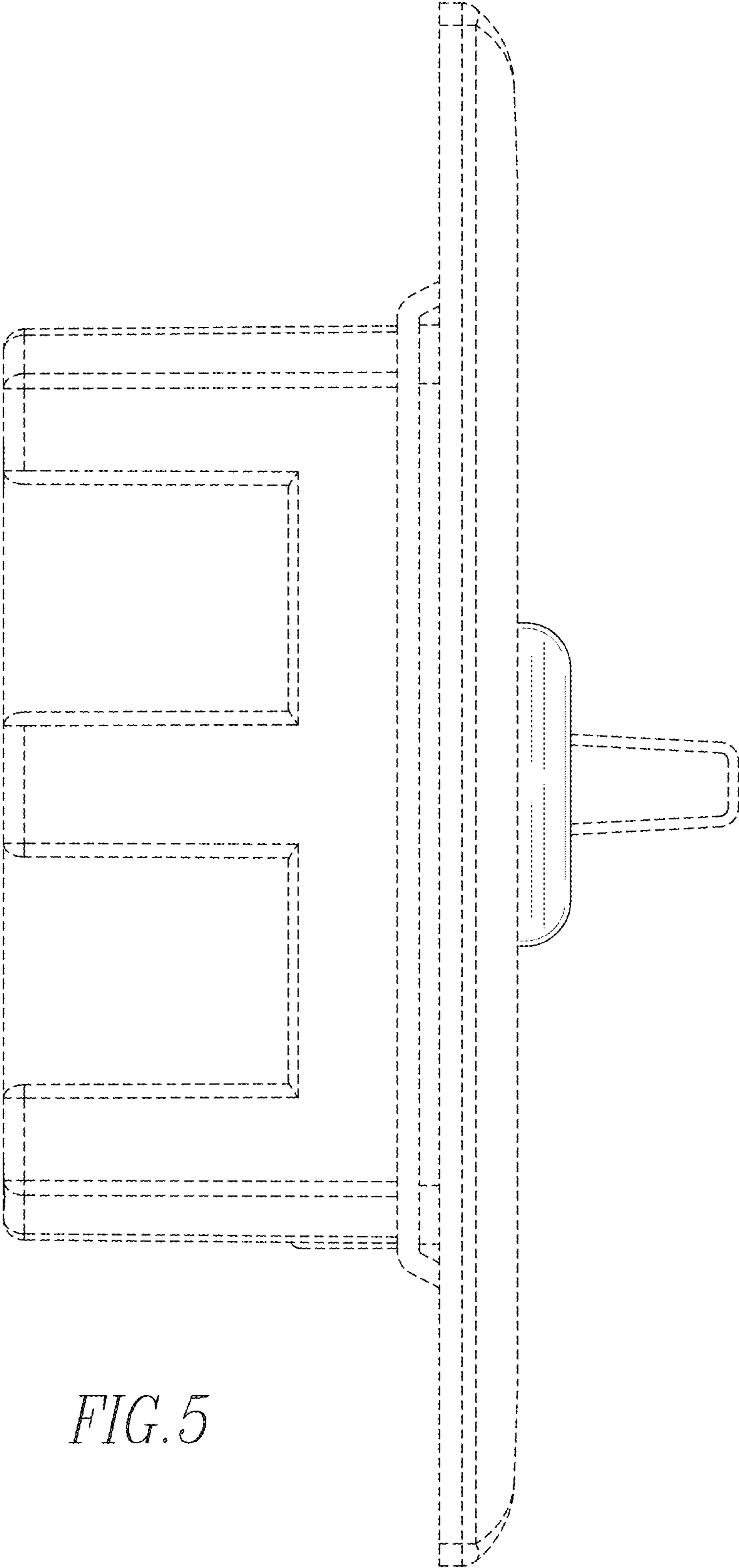
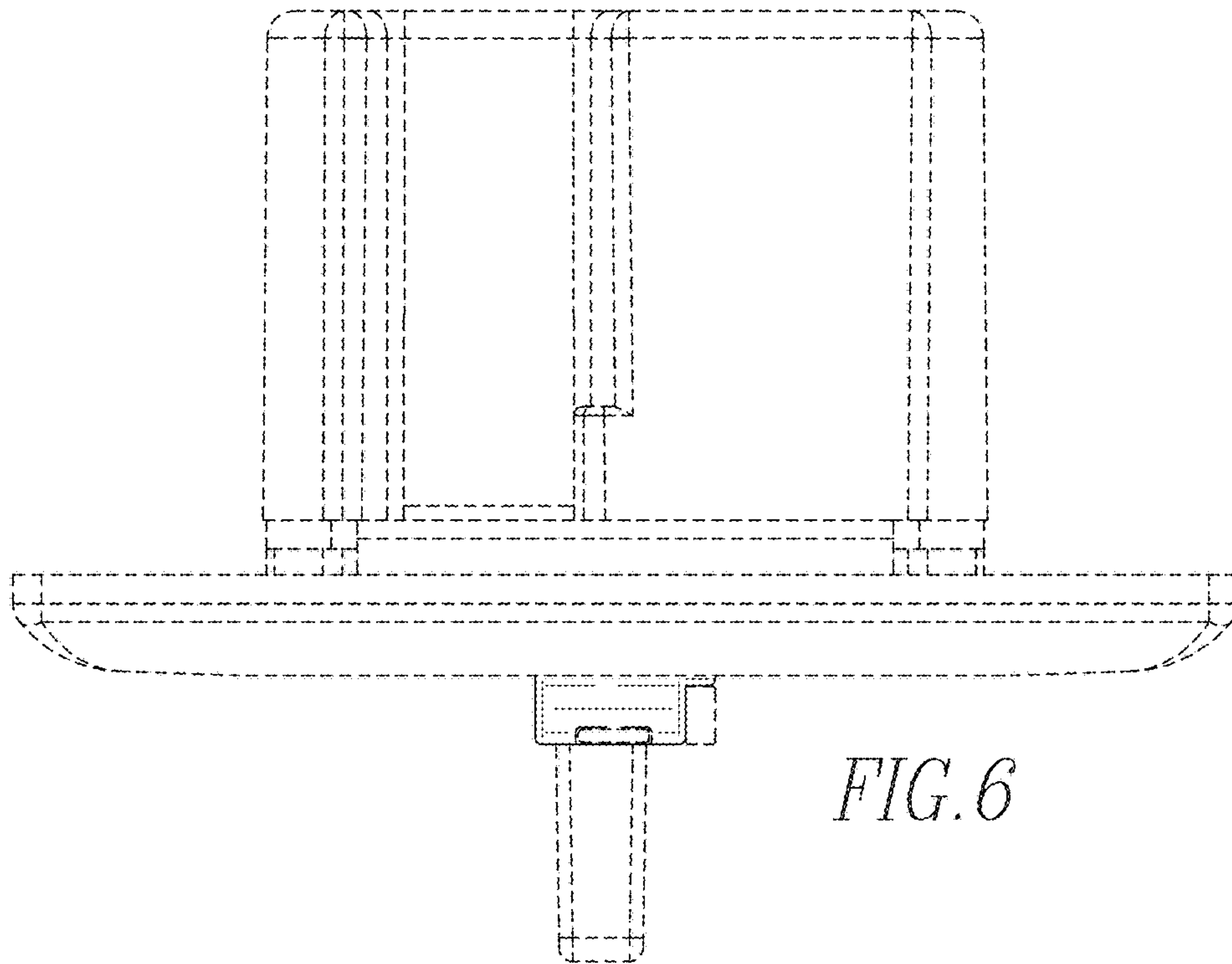
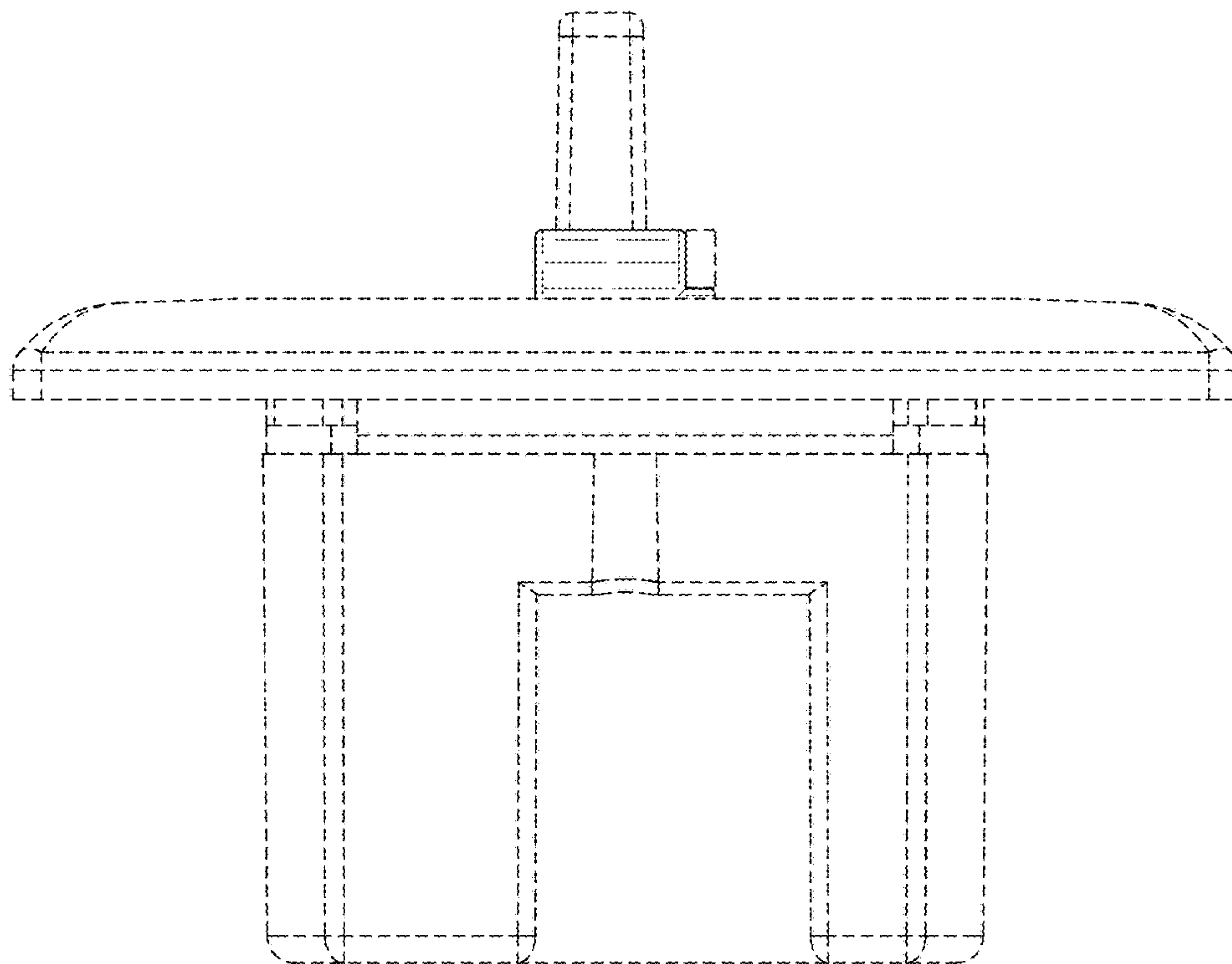


FIG. 5



*FIG. 6*



*FIG. 7*



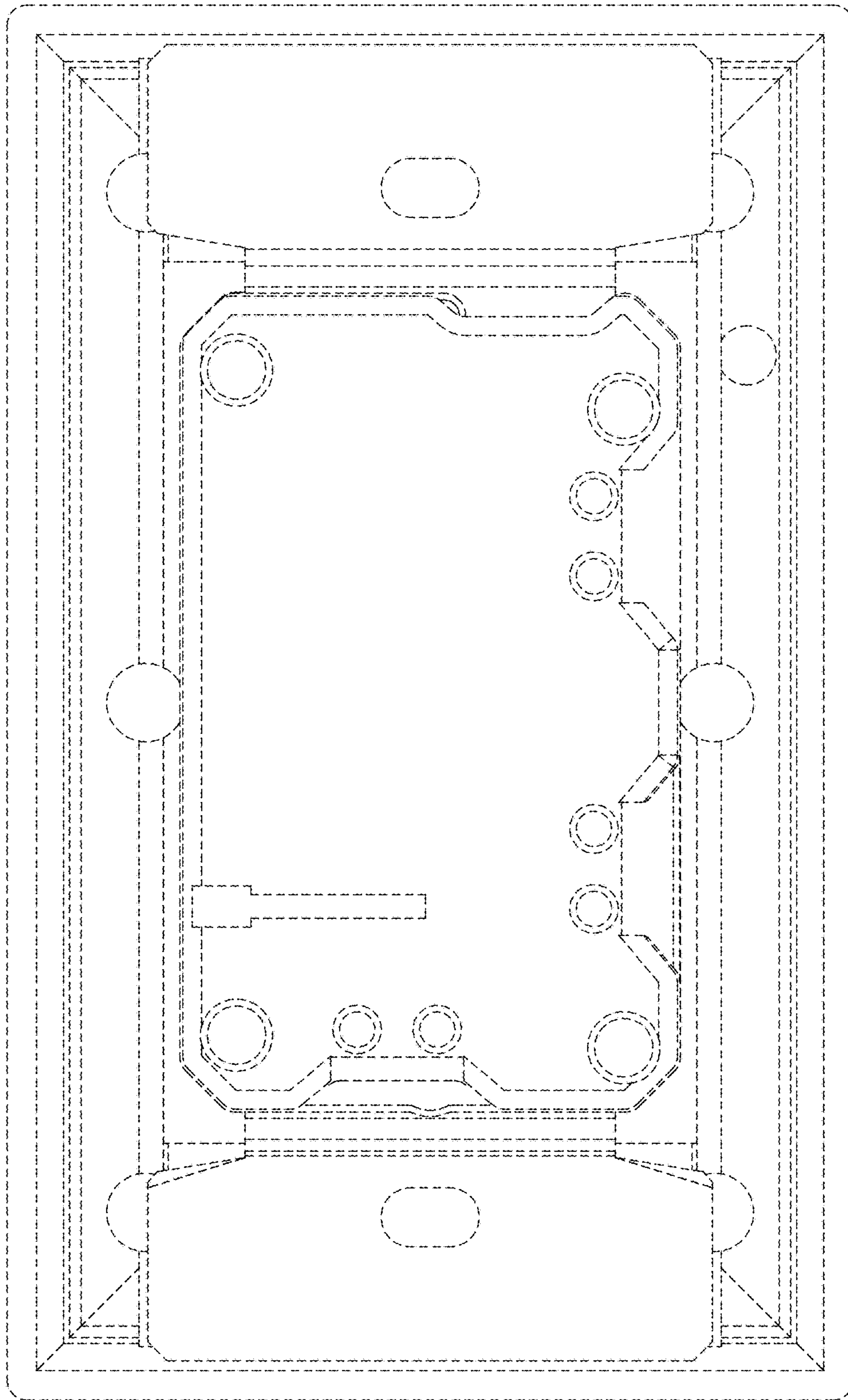


FIG. 8

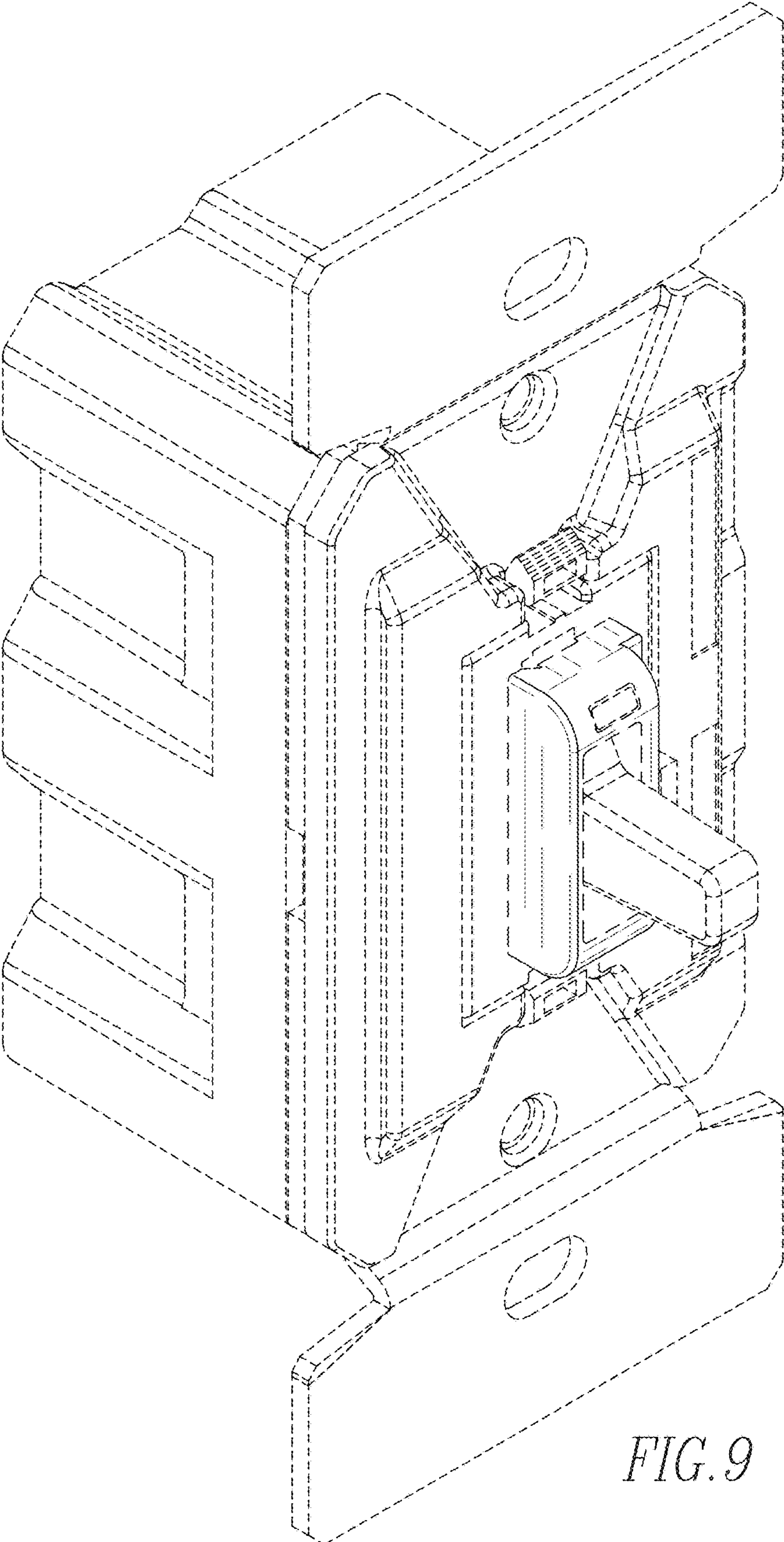


FIG. 9

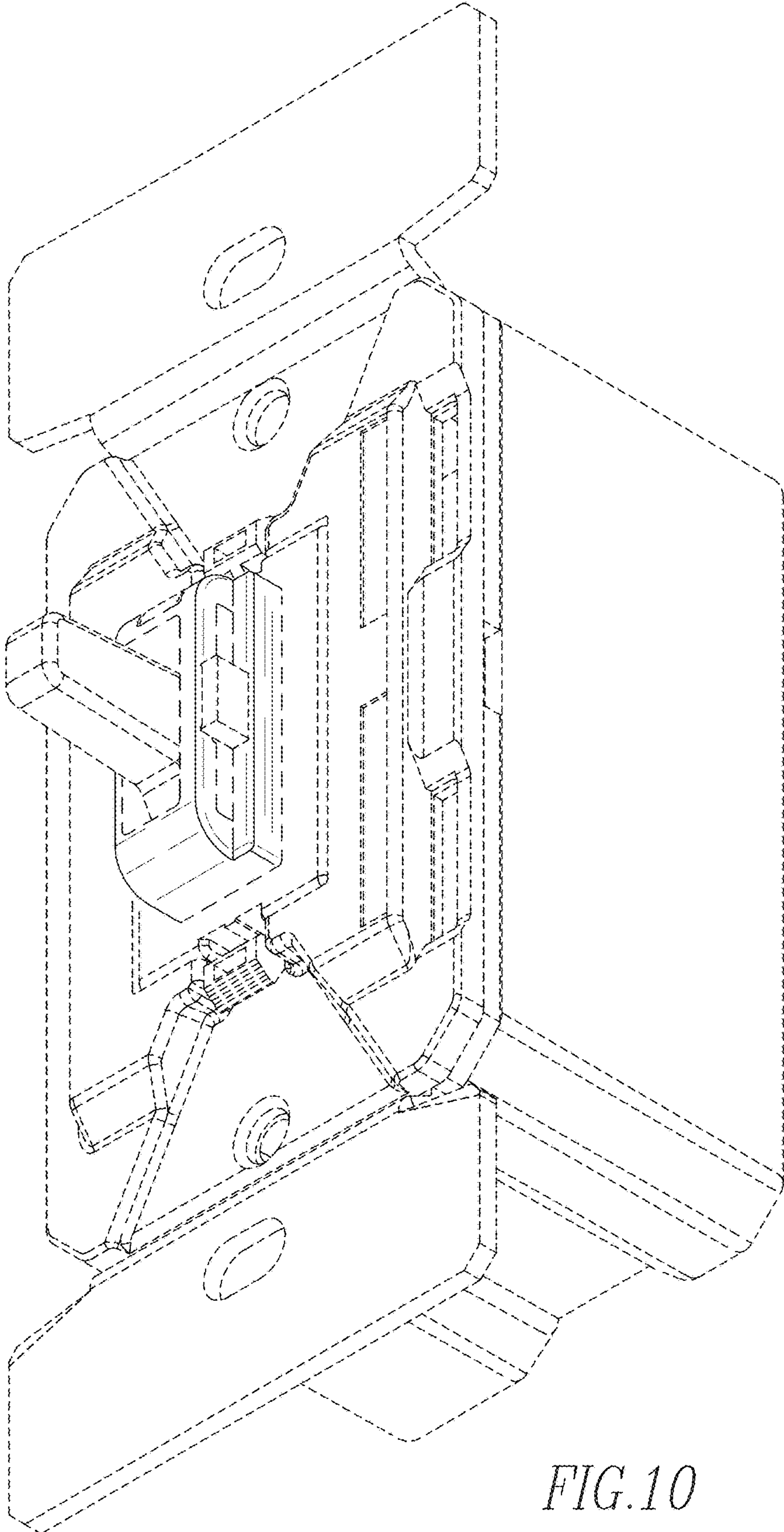


FIG.10



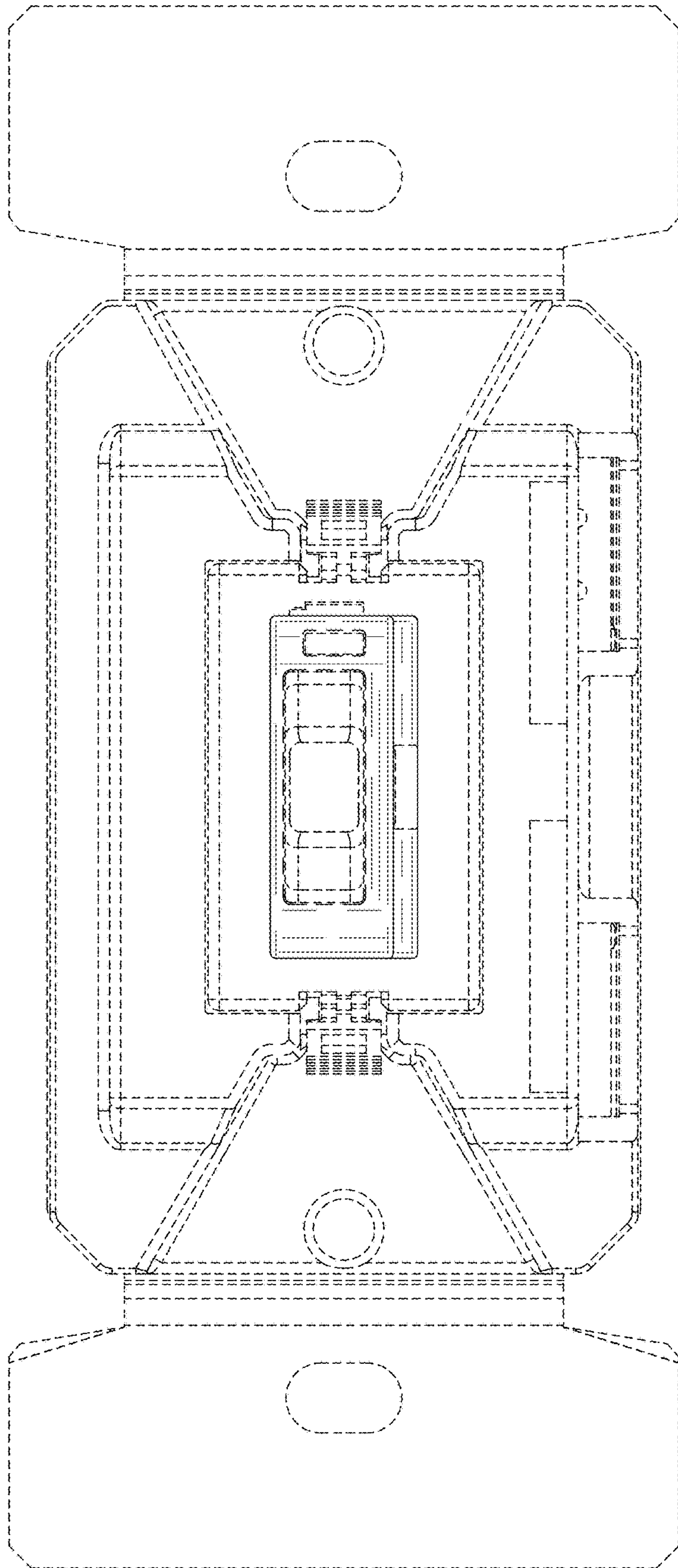


FIG. 11

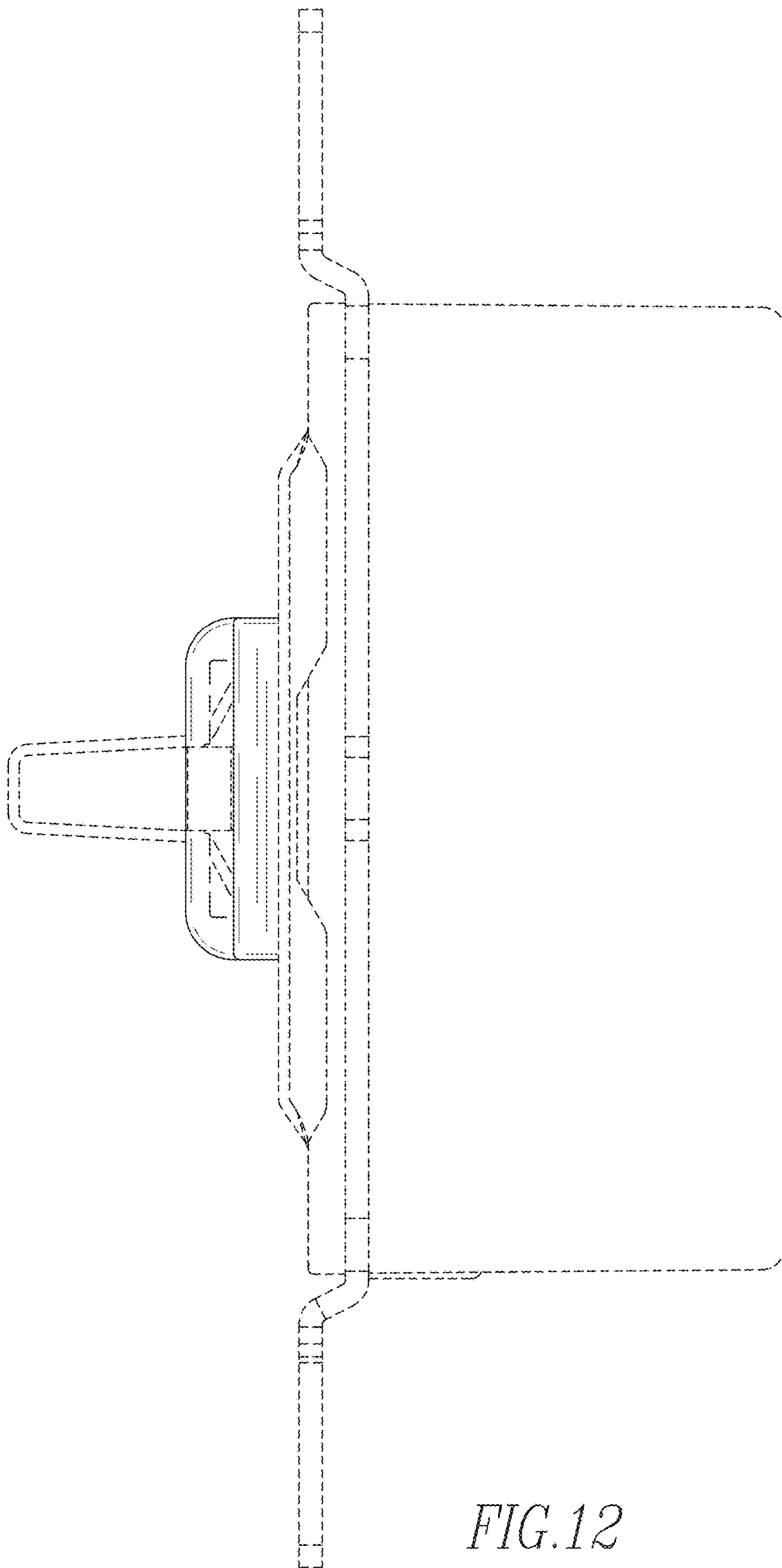


FIG. 12



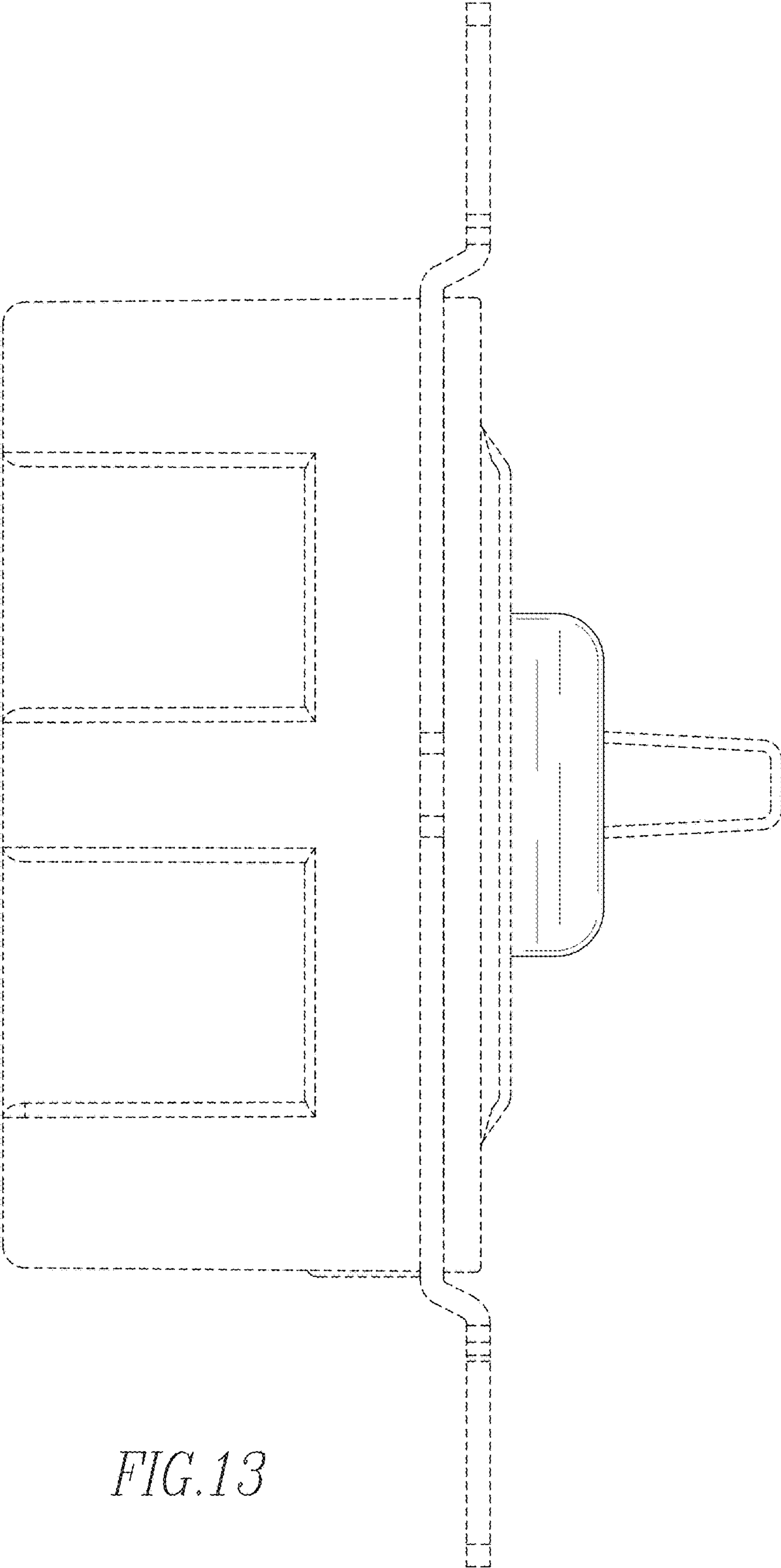
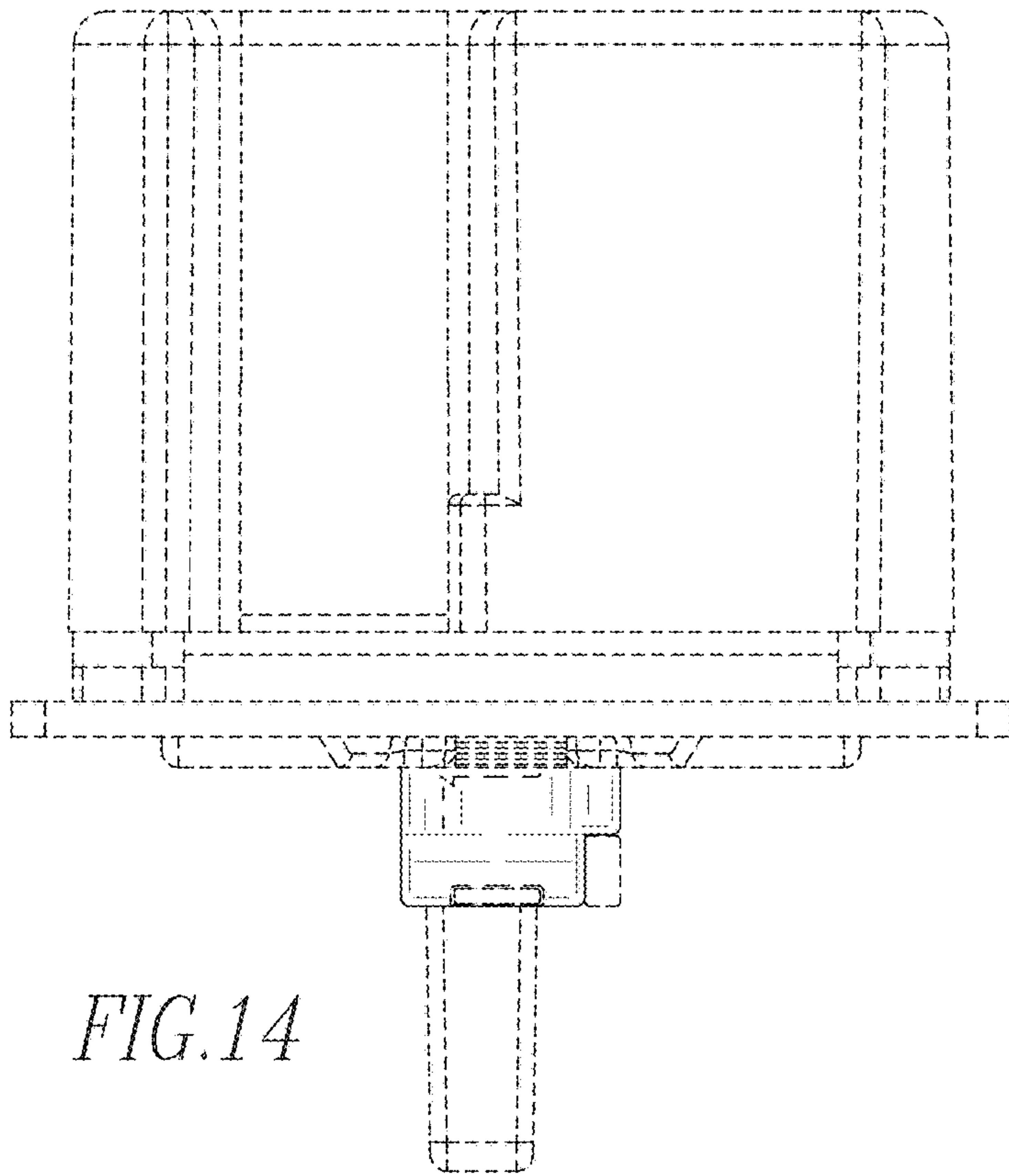
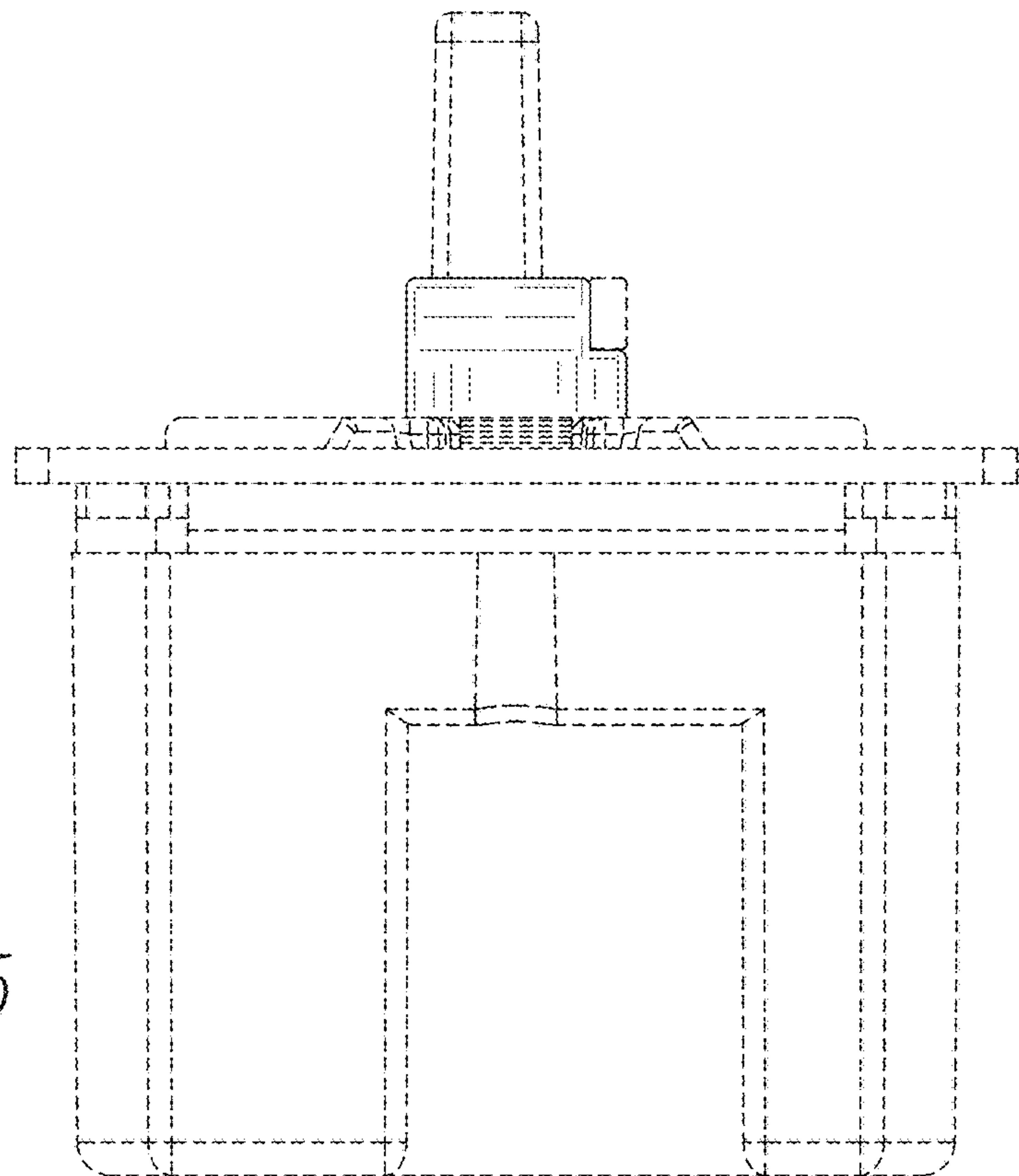


FIG.13



*FIG. 14*



*FIG. 15*

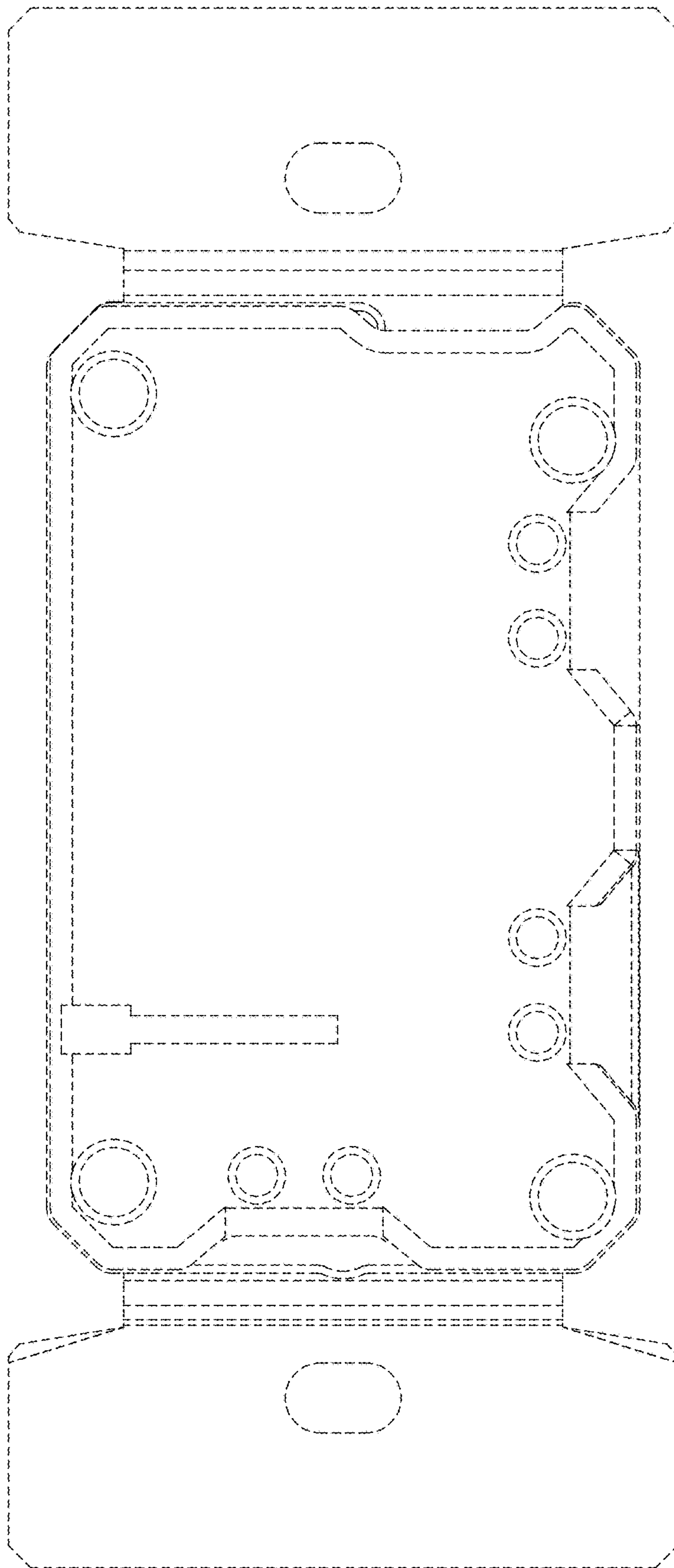


FIG. 16

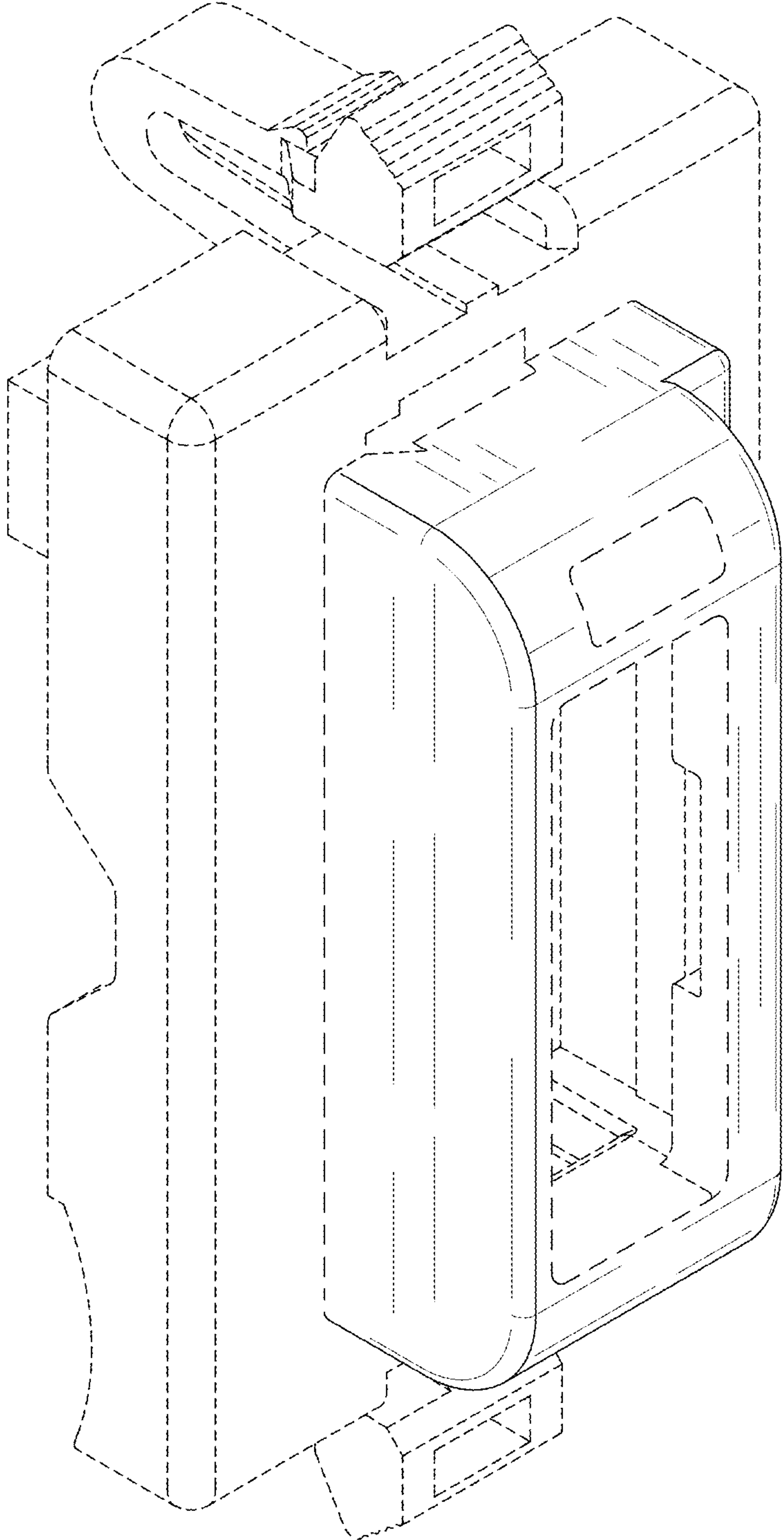


FIG.17

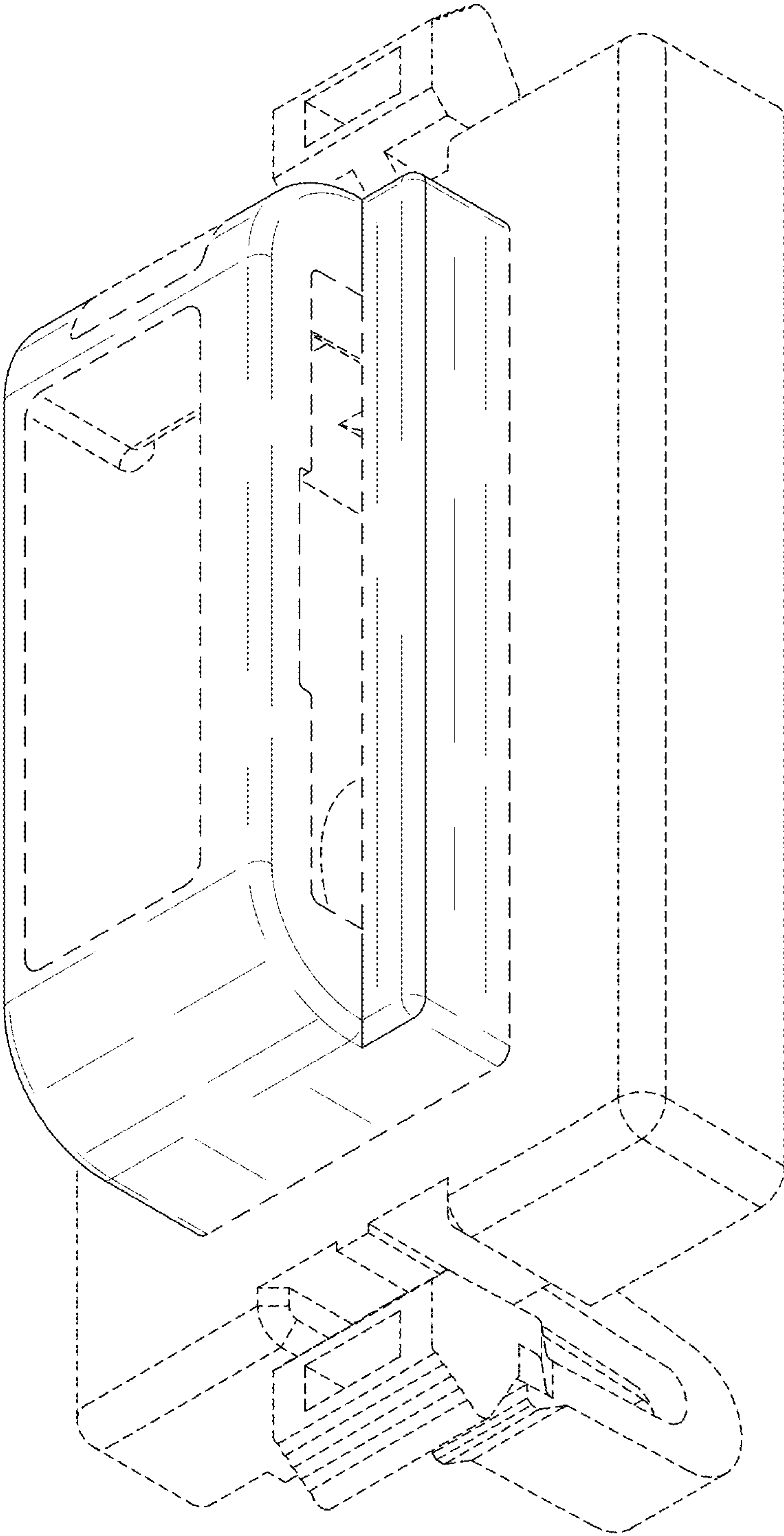


FIG. 18



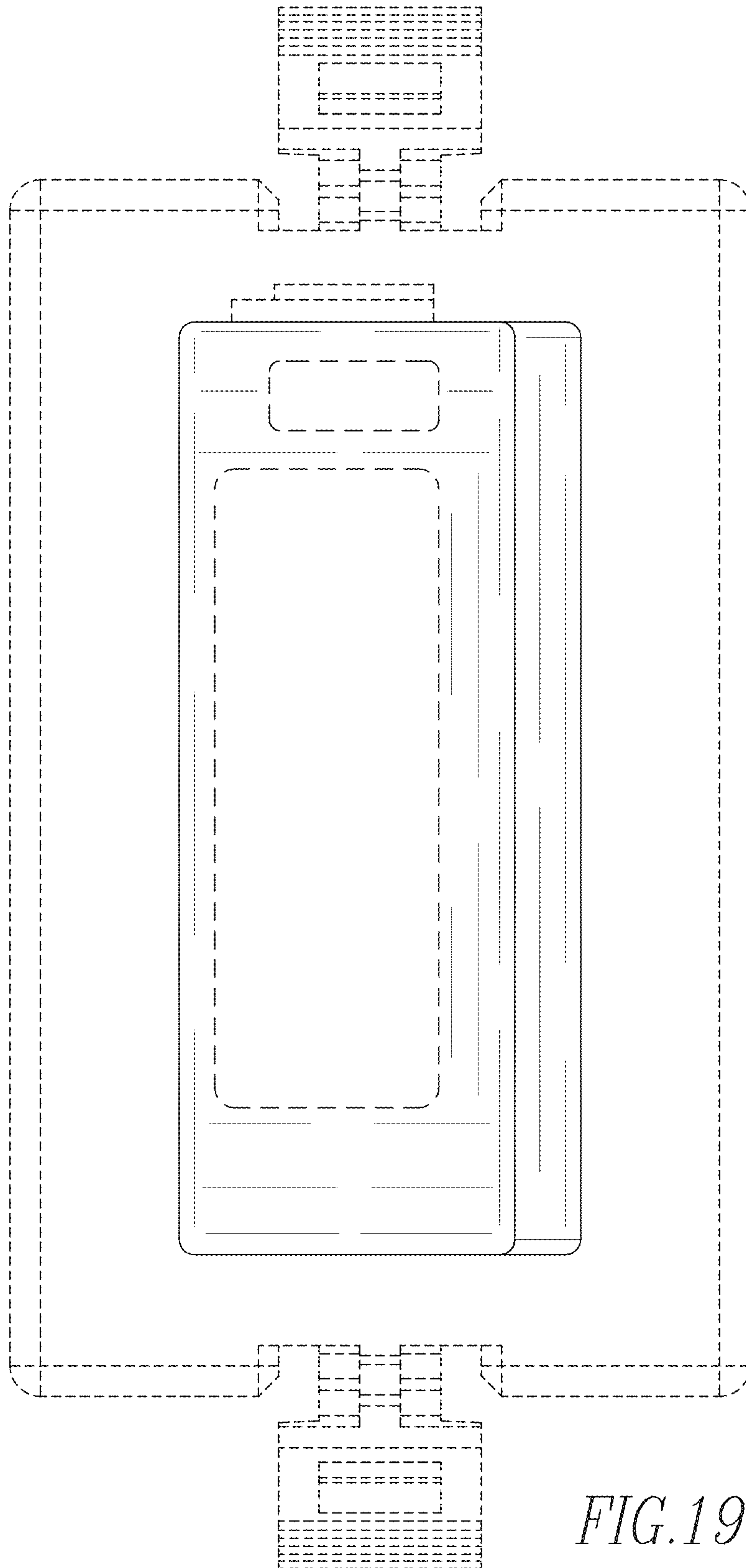


FIG. 19

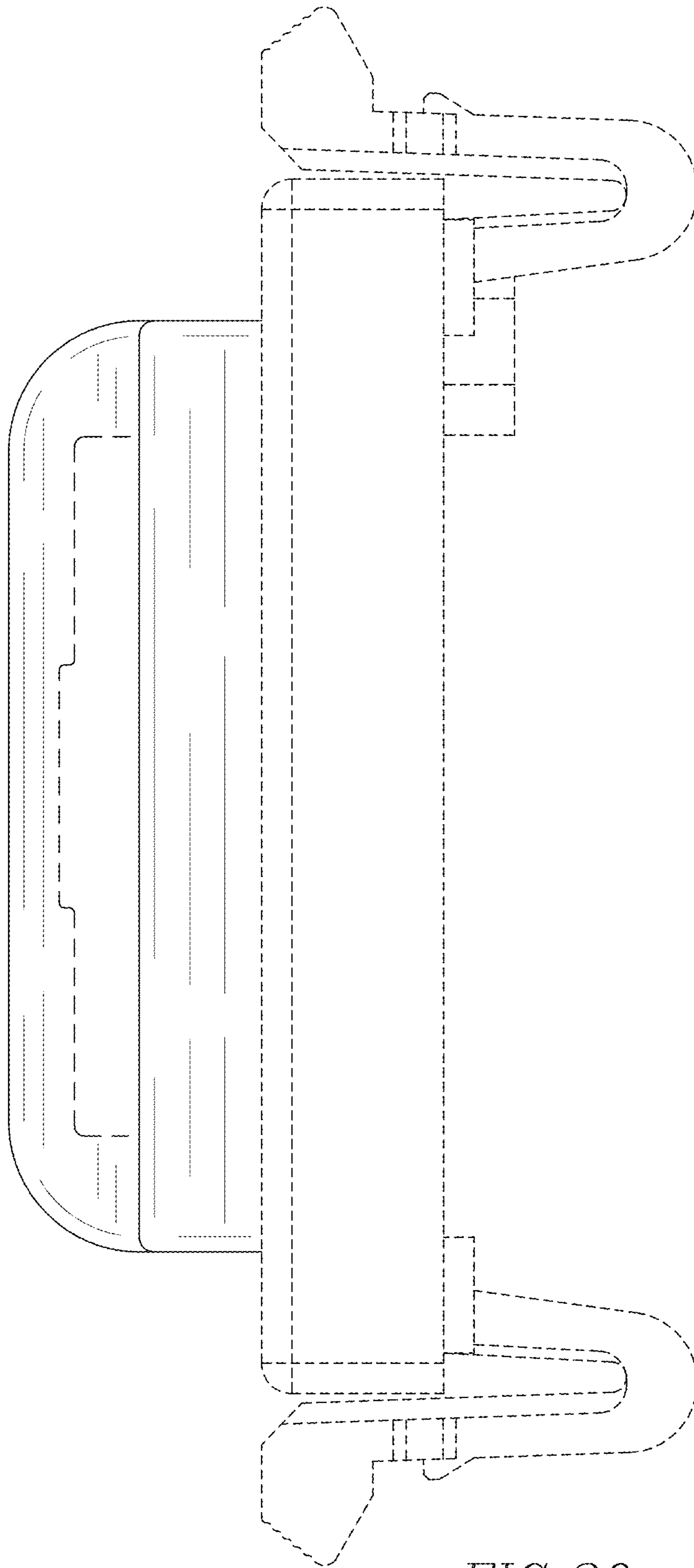


FIG. 20

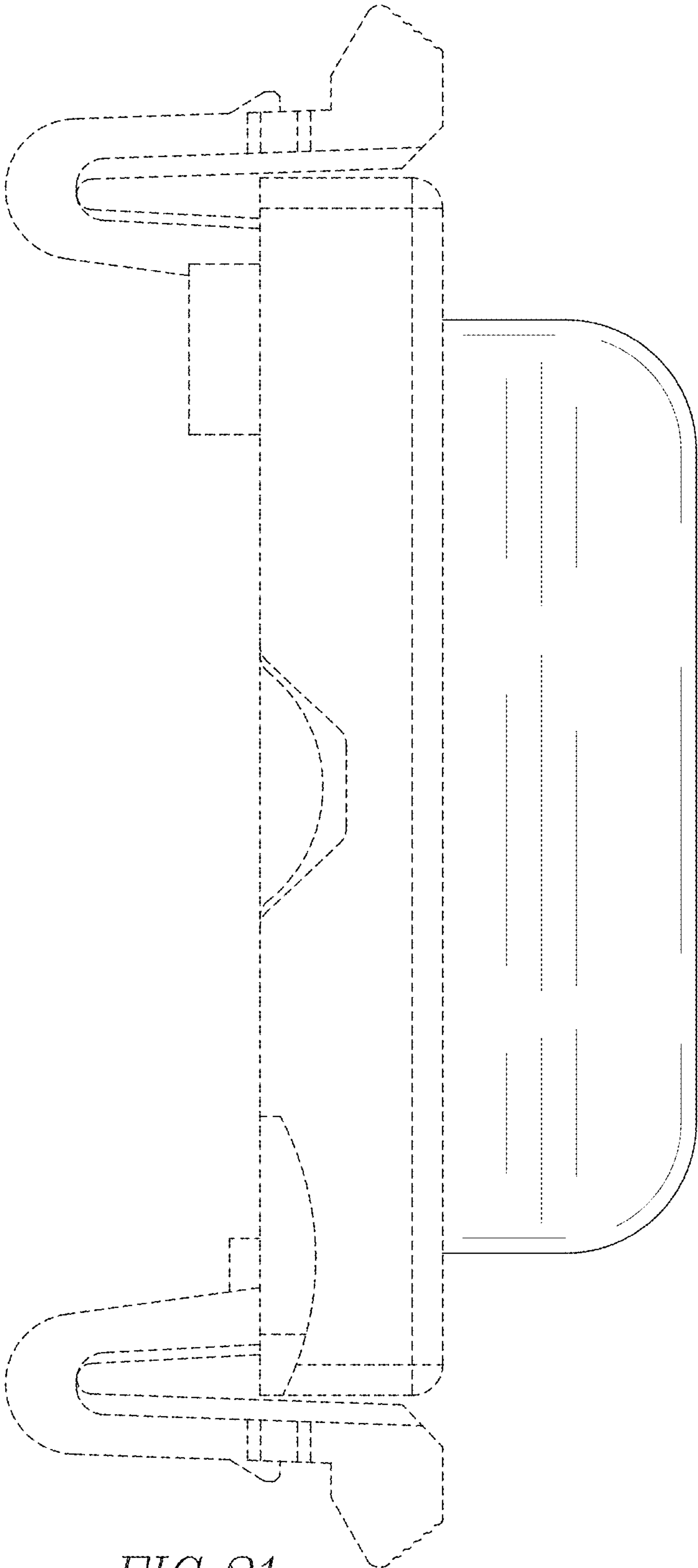
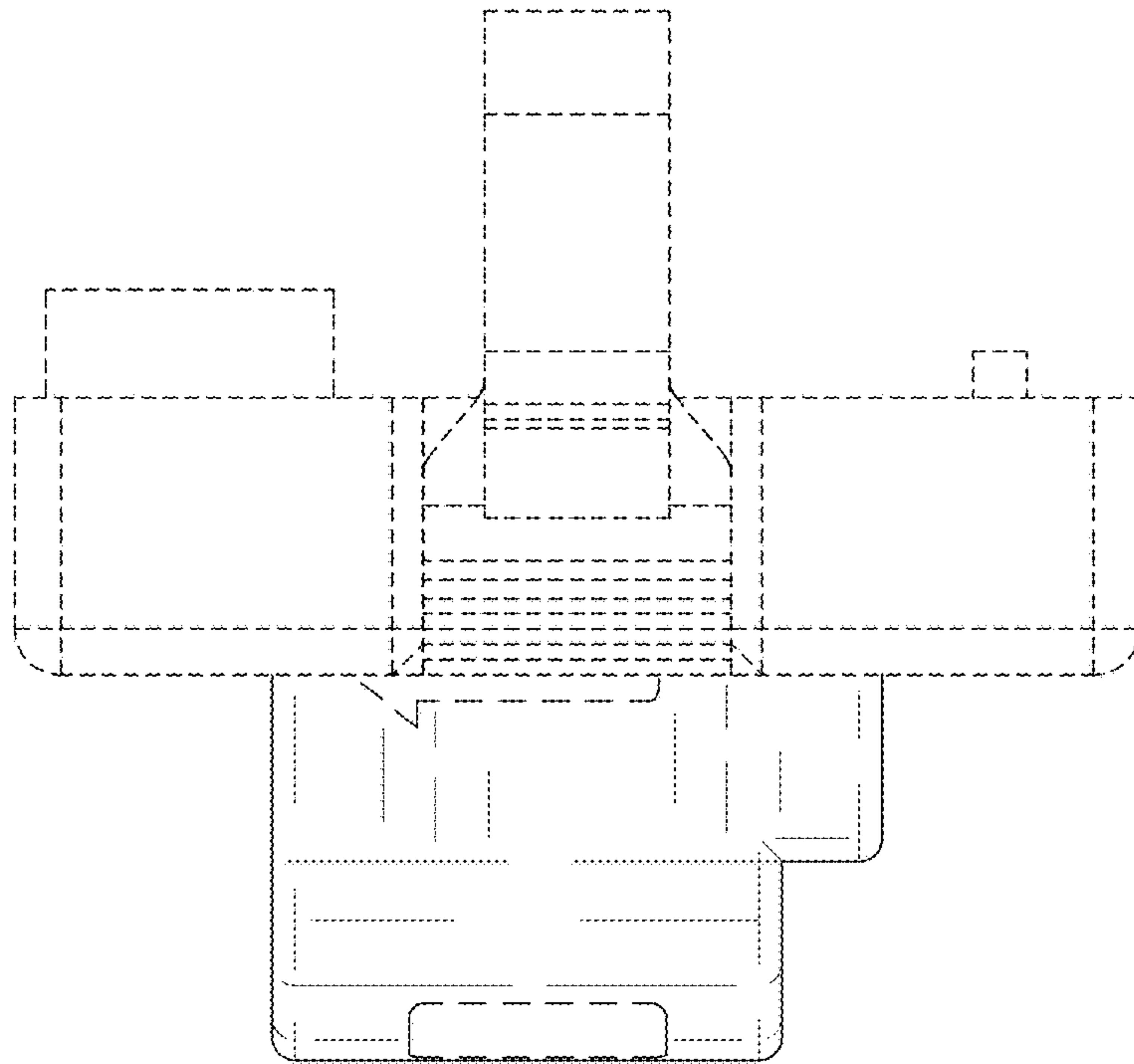
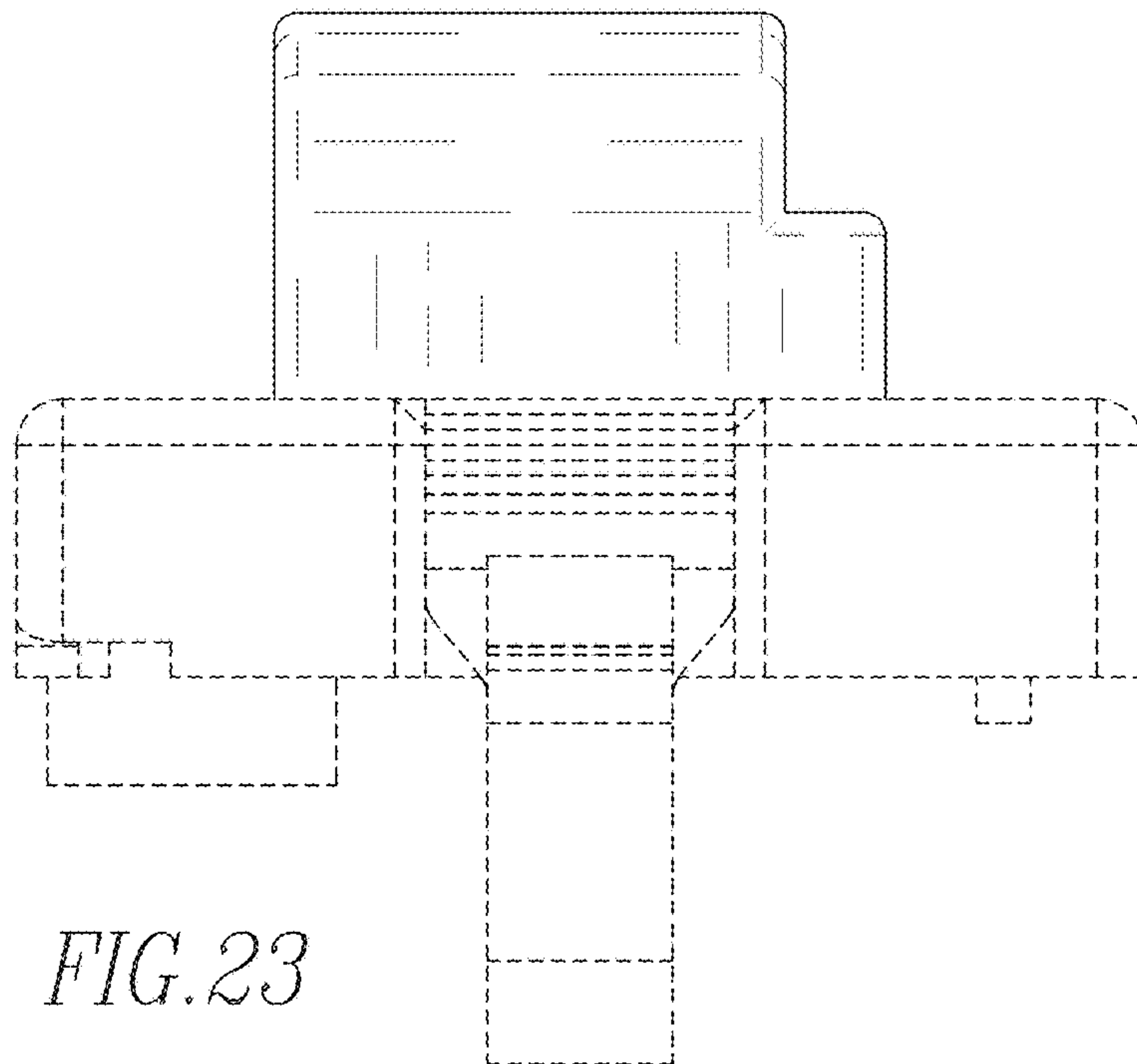


FIG. 21



*FIG. 22*



*FIG. 23*

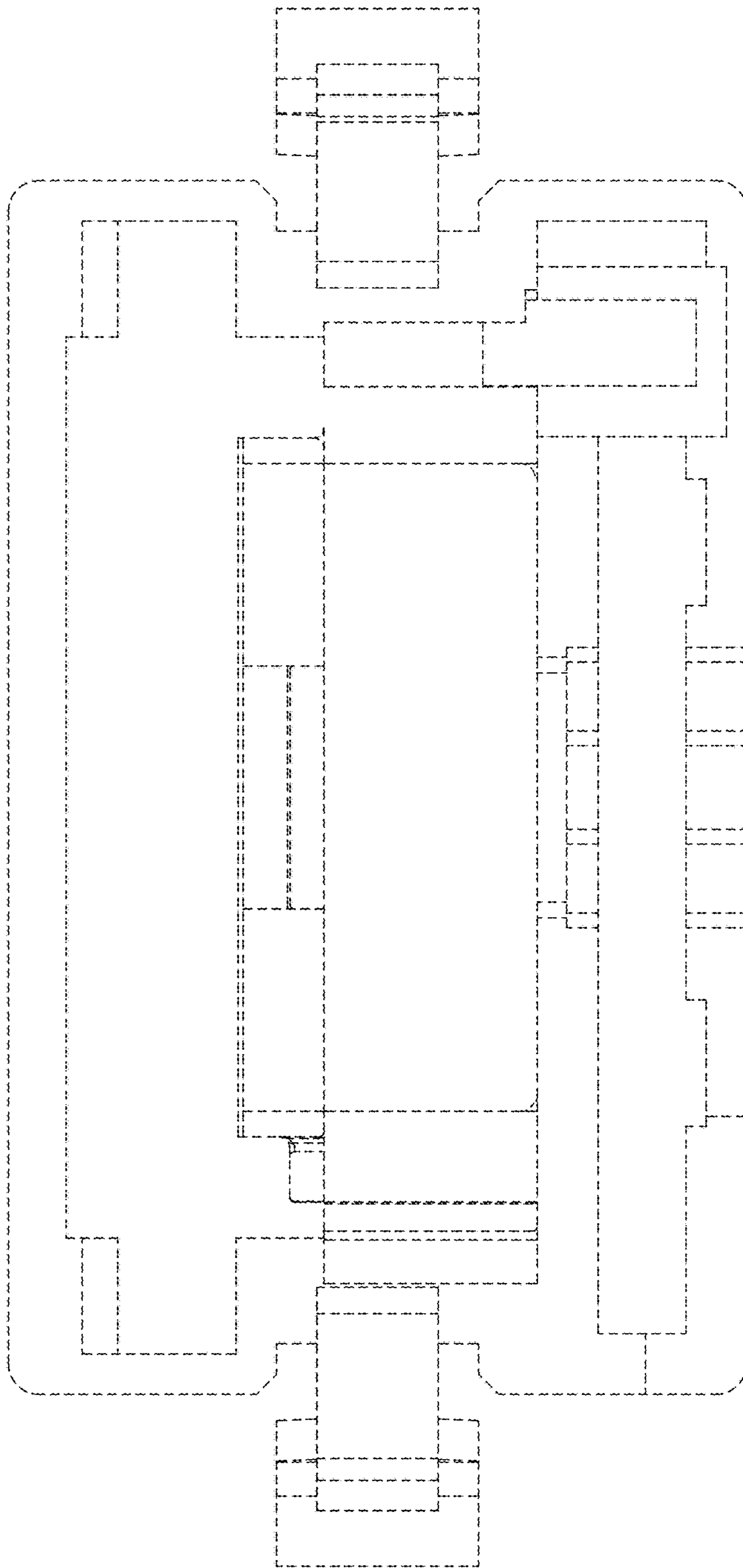


FIG. 24