



US00D780698S

(12) **United States Design Patent**
Karlen et al.

(10) **Patent No.:** **US D780,698 S**
(45) **Date of Patent:** **** Mar. 7, 2017**

(54) **CONTACTOR**
(71) Applicant: **ABB Schweiz AG**, Baden (CH)
(72) Inventors: **David Karlen**, Vasteras (SE); **Jonathan Jonsson**, Vasteras (SE)
(73) Assignee: **ABB Schweiz AG**, Baden (CH)
(**) Term: **14 Years**
(21) Appl. No.: **29/511,988**
(22) Filed: **Dec. 16, 2014**

(30) **Foreign Application Priority Data**

Jun. 16, 2014 (EM) 002483461-0001

(51) **LOC (10) Cl.** **13-03**

(52) **U.S. Cl.**
USPC **D13/158**

(58) **Field of Classification Search**
USPC D13/103, 110, 112, 118, 123, 158-160,
D13/184, 199, 165-173, 177, 178
CPC H01H 33/60; H01H 33/00; H01H 37/04;
H01H 37/5427; H01H 71/00; H01H
71/02; H01H 71/06; H01H 73/08; H01H
3/22; H01H 9/02; H01H 9/20; H01H
9/30; H01H 71/12; H01H 75/00; H01H
9/00; H01H 13/00; H01H 13/44; H01H
33/10; H01H 37/52; H01H 71/08; H01H
83/00

See application file for complete search history.

(56) **References Cited**

U.S. PATENT DOCUMENTS

4,620,263 A * 10/1986 Ito H05K 7/20918
361/690
D358,753 S * 5/1995 Yoshida D13/123

5,493,083 A * 2/1996 Olivier H01H 71/56
200/17 R
D468,687 S * 1/2003 Hamada D13/113
D629,367 S * 12/2010 Detemple D13/160
D647,844 S * 11/2011 Engblom D13/113
D647,845 S * 11/2011 Engblom D13/113
8,587,240 B2 * 11/2013 Wolfe H02P 1/28
318/400.19
D713,801 S * 9/2014 Johansson D13/123
D714,733 S * 10/2014 Johansson D13/123
D733,071 S * 6/2015 Engblom D13/158
D753,067 S * 4/2016 Thomasson D13/159
9,343,245 B2 * 5/2016 Oh H01H 3/22

* cited by examiner

Primary Examiner — Thomas Johannes

Assistant Examiner — Shawn T Gingrich

(74) *Attorney, Agent, or Firm* — Whitmyer IP Group LLC

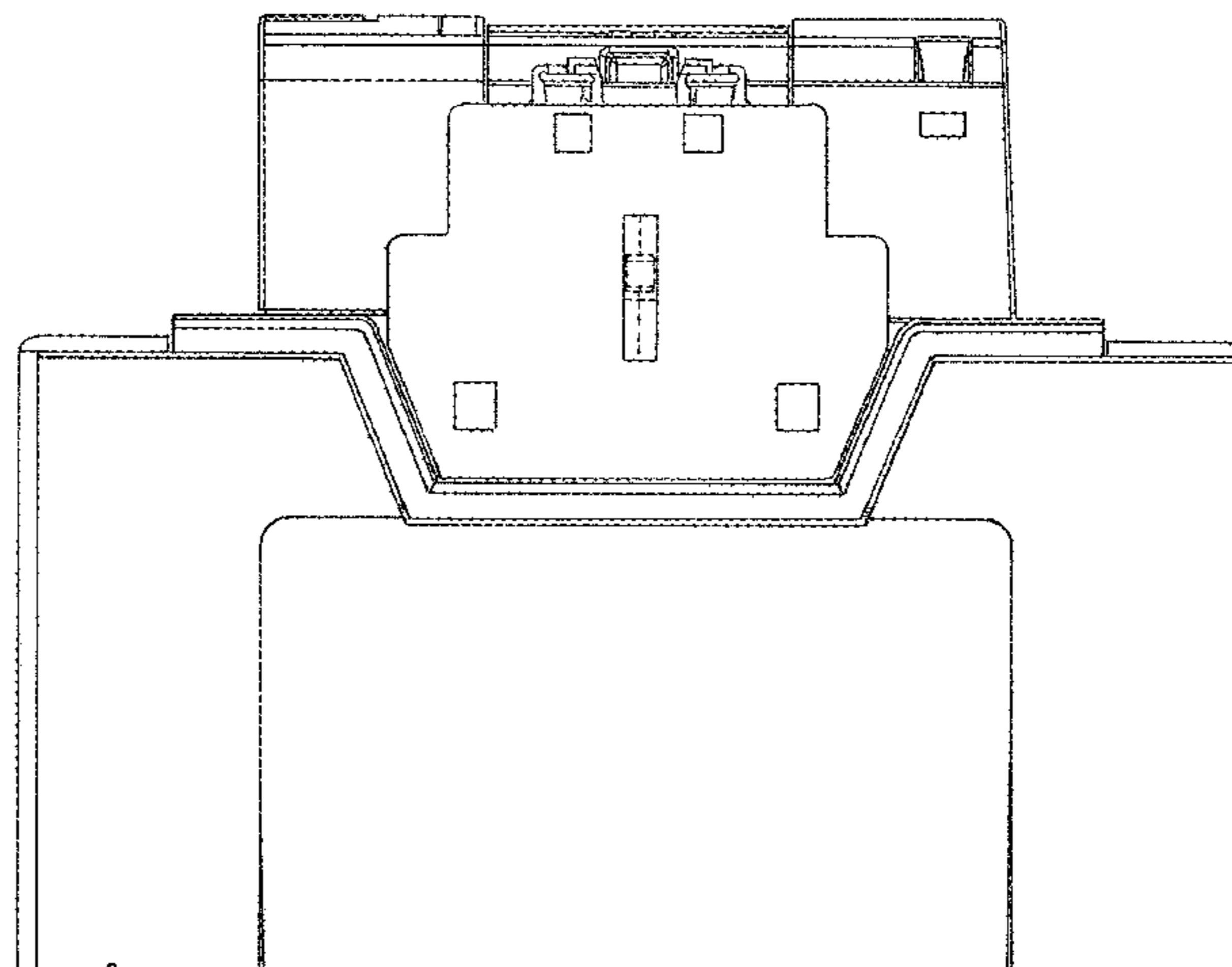
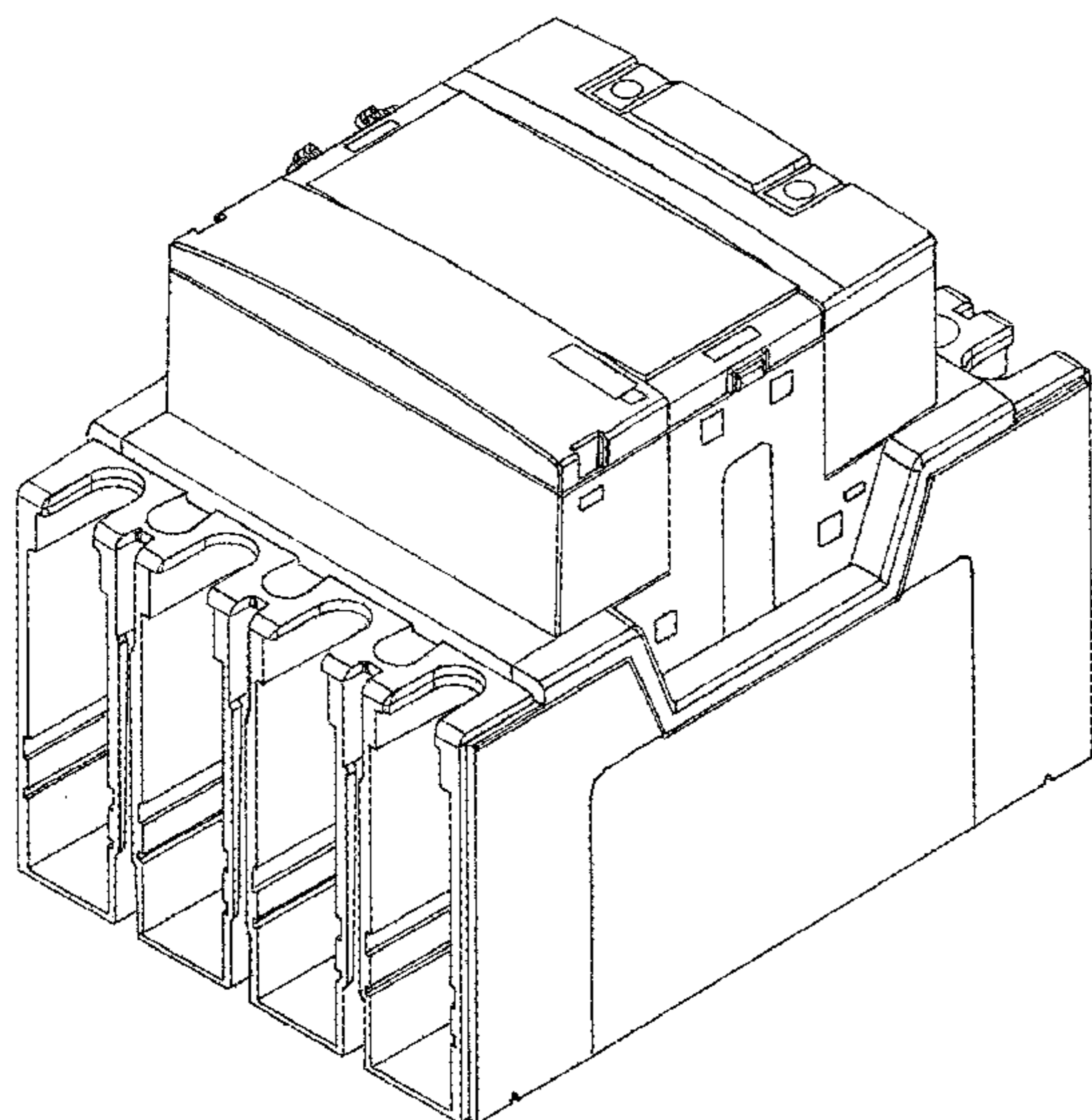
(57) **CLAIM**

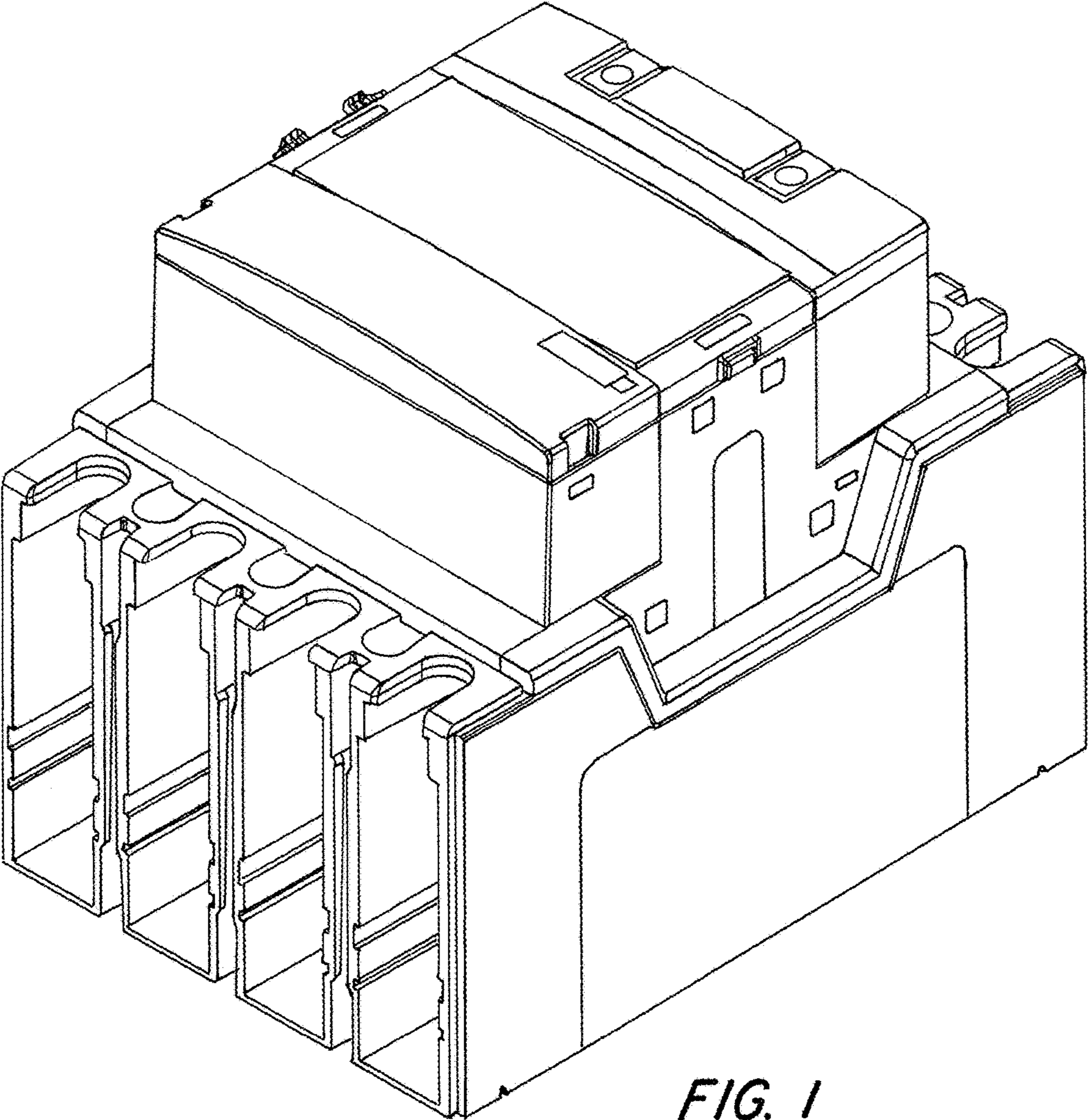
The ornamental design for a contactor, as shown and described.

DESCRIPTION

FIG. 1 is a top front isometric view of a contactor in accordance with the new design;
FIG. 2 is a bottom plan view thereof;
FIG. 3 is a right side elevational view thereof;
FIG. 4 is a top plan view thereof;
FIG. 5 is a rear elevational view thereof;
FIG. 6 is a front elevational view thereof; and,
FIG. 7 is a left side elevational view thereof.
The broken lines in the drawings depict unclaimed environmental subject matter.

1 Claim, 7 Drawing Sheets





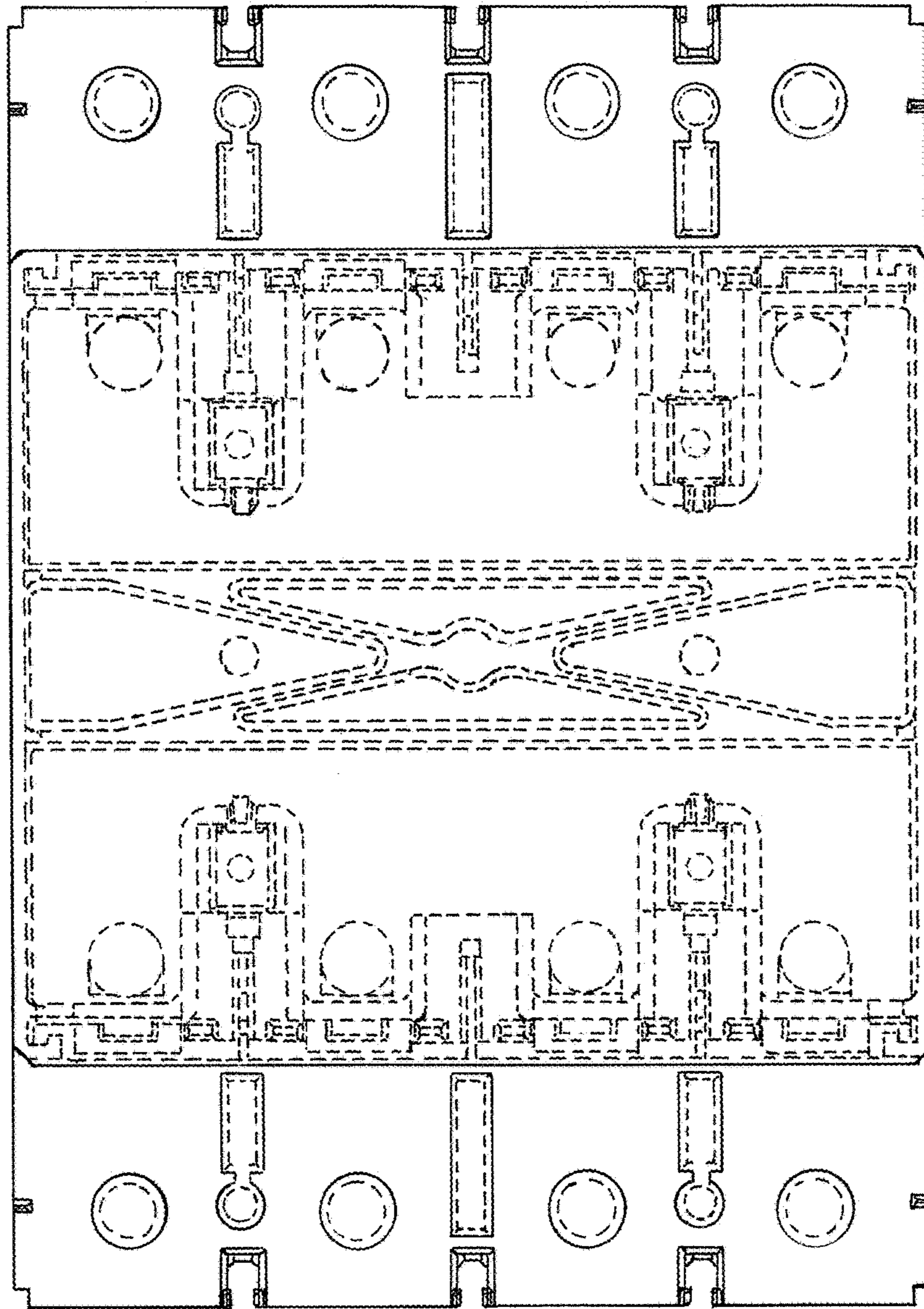


FIG. 2

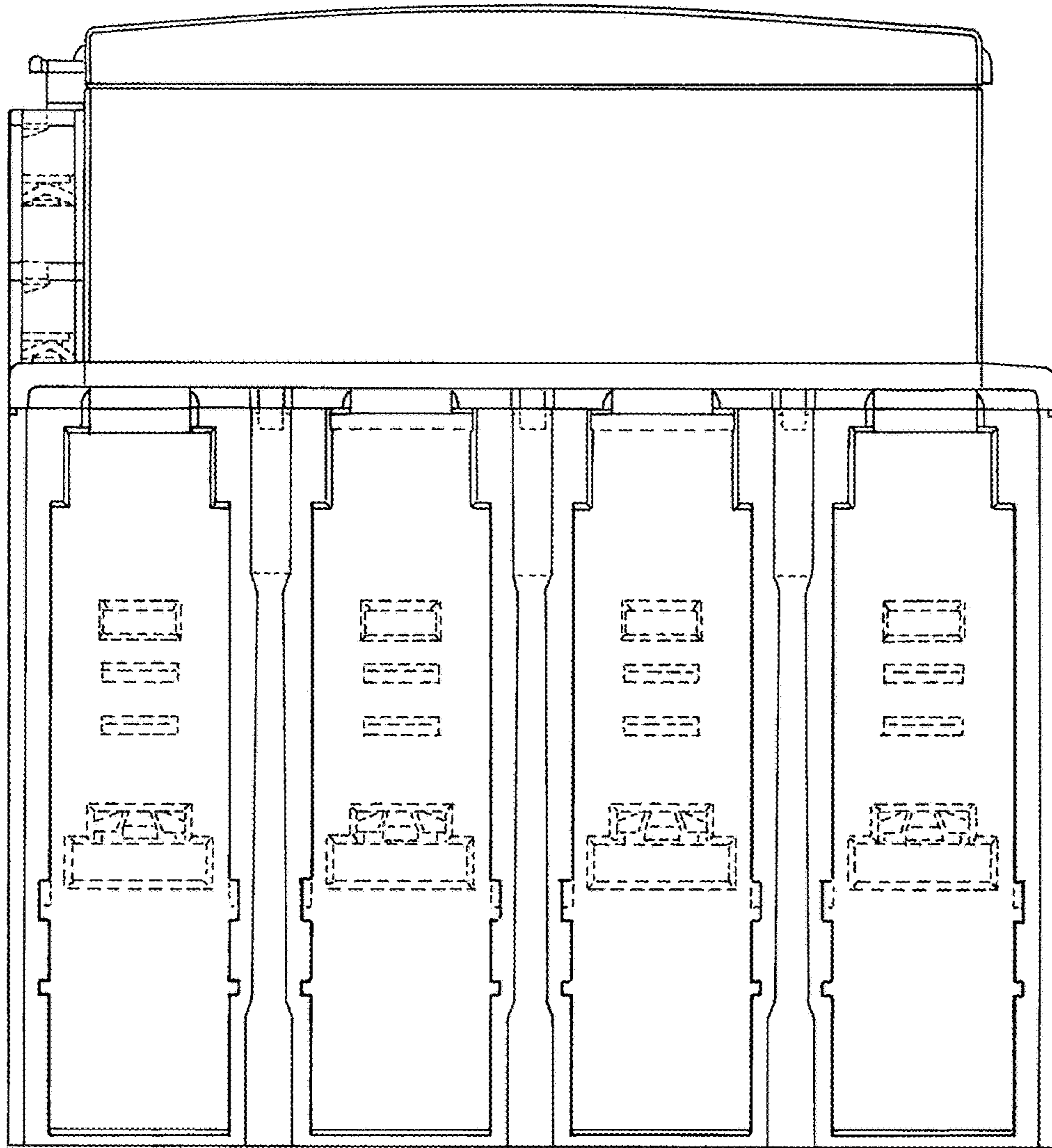


FIG. 3

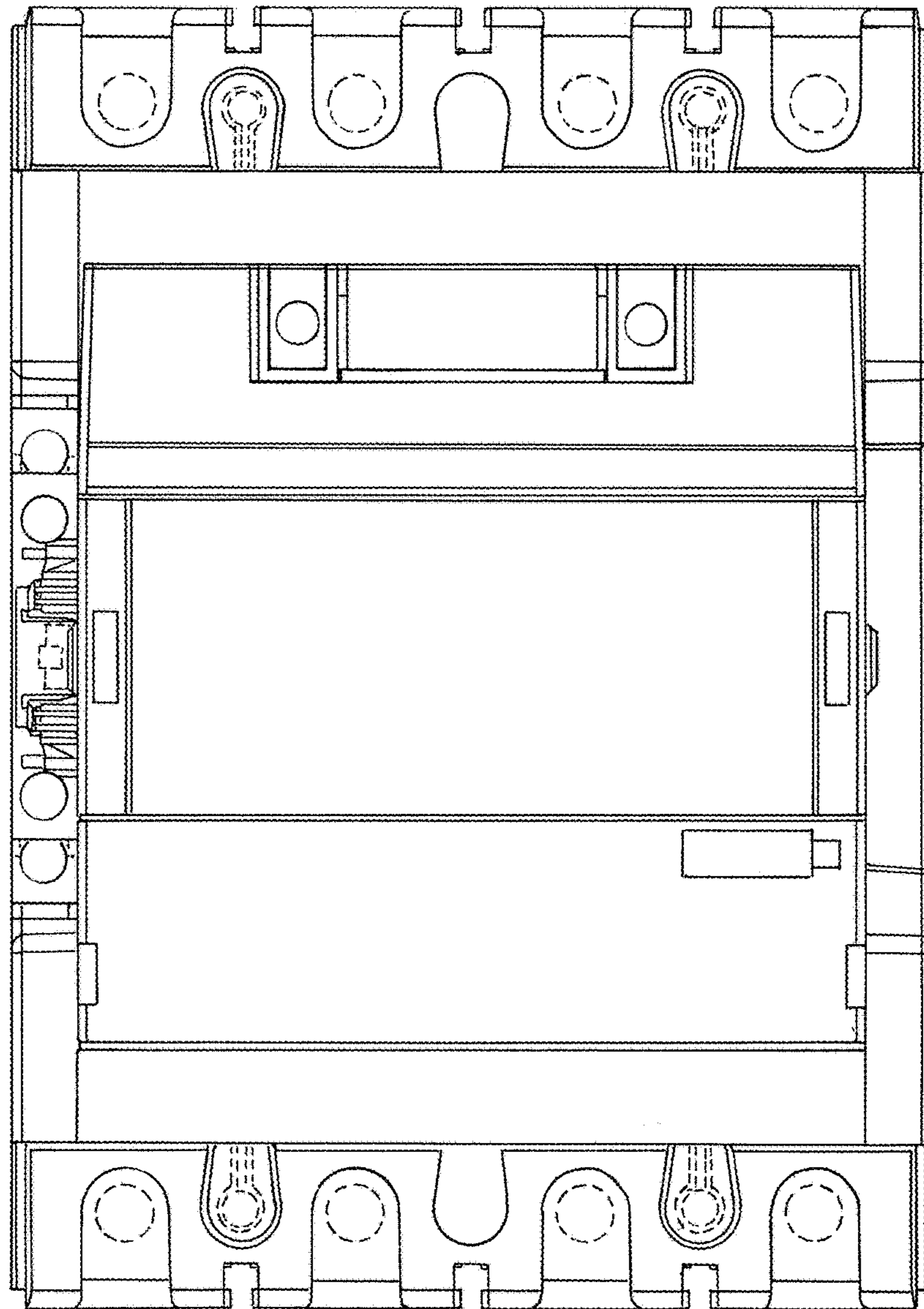


FIG. 4

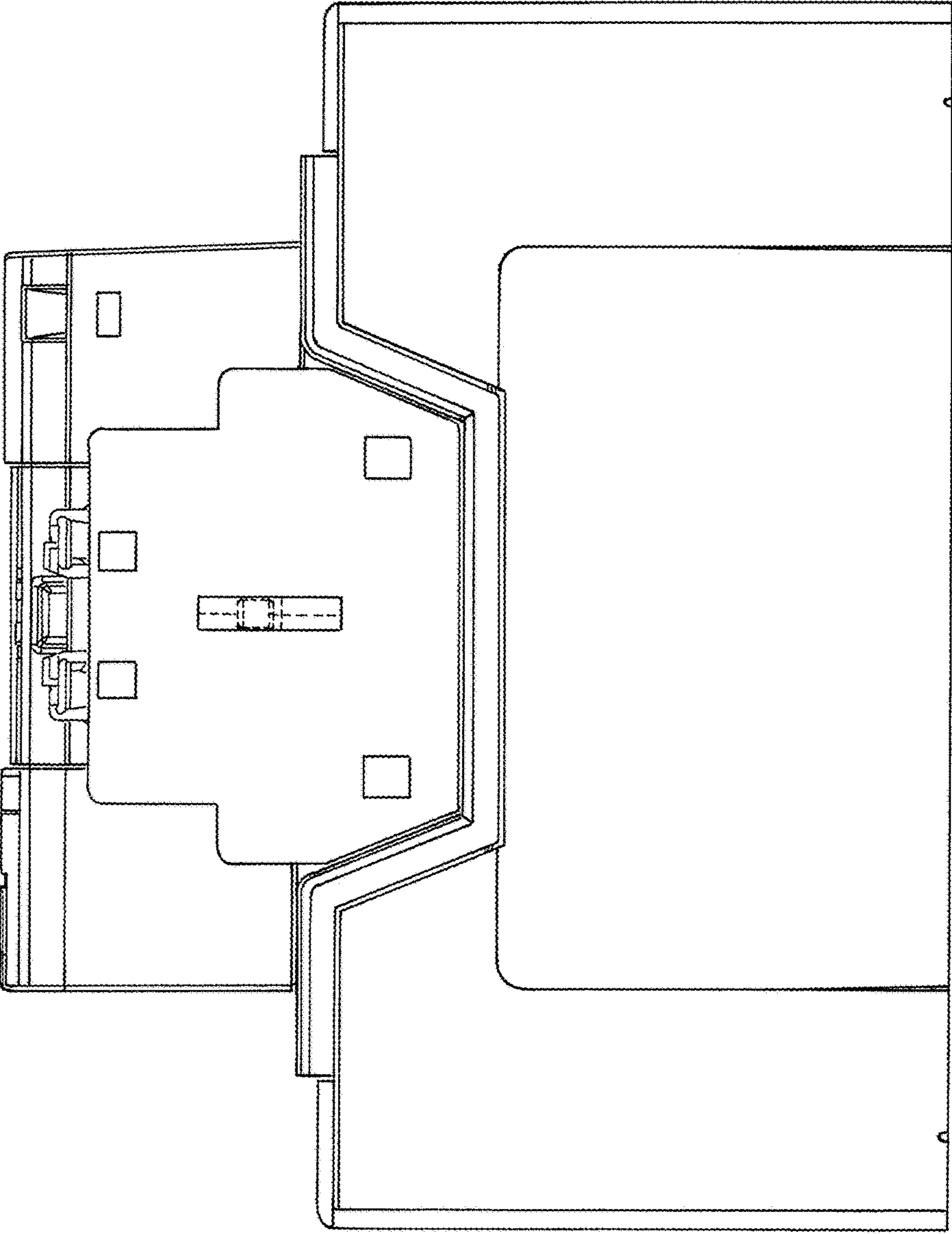


FIG. 5

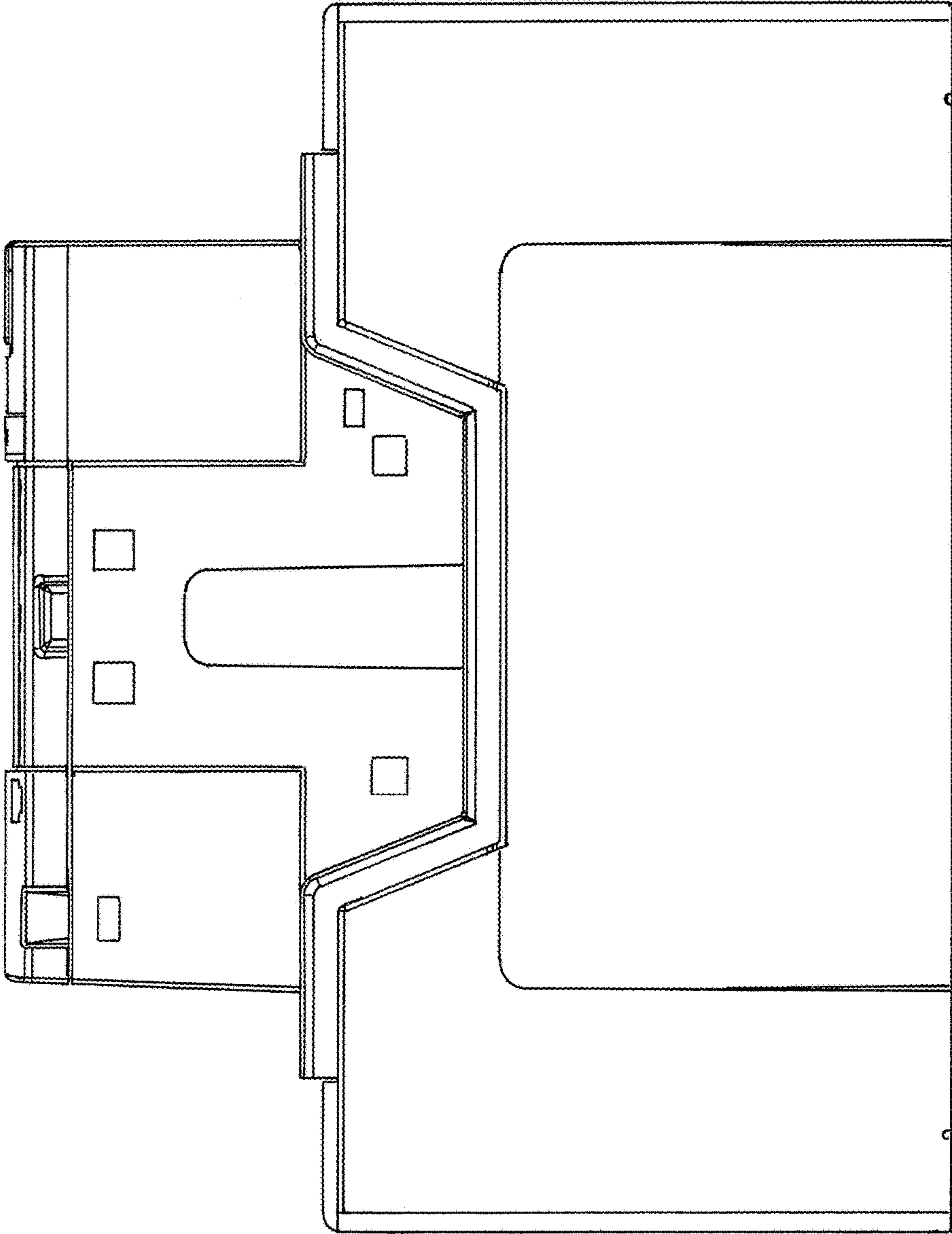


FIG. 6

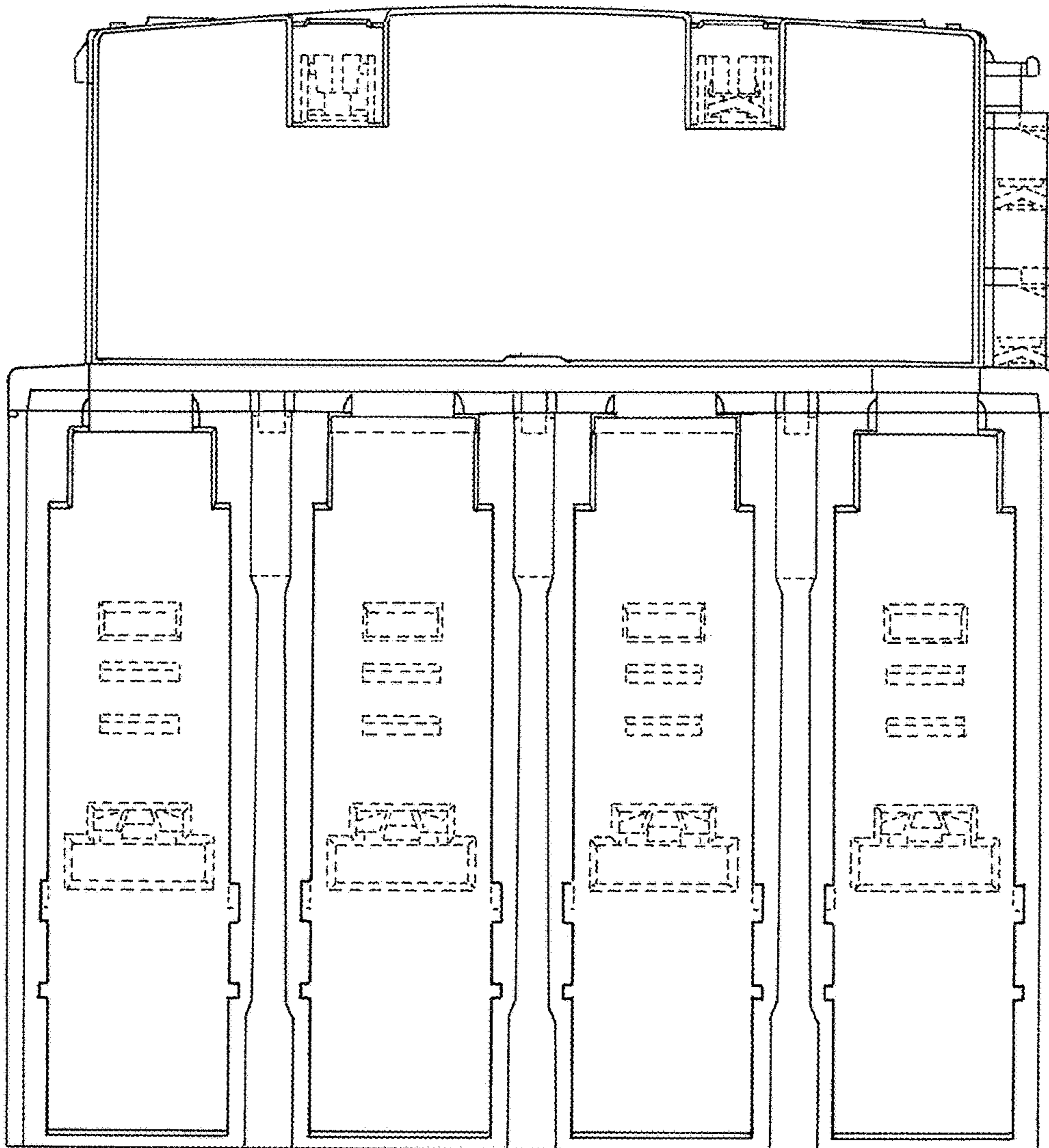


FIG. 7