



US00D780697S

(12) **United States Design Patent**  
**Broere**

(10) **Patent No.:** **US D780,697 S**

(45) **Date of Patent:** **\*\* Mar. 7, 2017**

(54) **ANGLE HOOD**

(71) Applicant: **A.C. Dandy Products Ltd.**, Wetaskiwin (CA)

(72) Inventor: **Hans Broere**, Wetaskiwin (CA)

(73) Assignee: **A.C. Dandy Products Ltd.**, Wetaskiwin, Alberta (CA)

(\*\*) Term: **15 Years**

(21) Appl. No.: **29/541,526**

(22) Filed: **Oct. 5, 2015**

(51) **LOC (10) Cl.** ..... **13-03**

(52) **U.S. Cl.**  
USPC ..... **D13/156**

(58) **Field of Classification Search**  
USPC ..... D13/110, 123, 133, 137.1, 139.1, 139.4, D13/152, 154, 155, 156, 158, 162, 164, D13/173, 177, 184; D8/349-351, 353; 174/67, 66; D10/49; 439/147-149, 373, 439/391, 535, 536, 538; 220/241, 242; 361/600, 707, 752; D14/240, 358, 480.5; D26/85

CPC .... H05K 5/0013; H05K 5/006; H05K 5/0073; H05K 7/1417; H02G 3/14

See application file for complete search history.

(56) **References Cited**

**U.S. PATENT DOCUMENTS**

D30,059 S \* 1/1899 Tracy ..... D23/387  
D132,821 S \* 6/1942 Leslie ..... D23/373

D134,477 S \* 12/1942 Leslie ..... D23/373  
D299,530 S \* 1/1989 Hansen ..... D23/374  
D301,333 S \* 5/1989 Bongard ..... D13/156  
D327,317 S \* 6/1992 Courchesne ..... D23/385  
D332,139 S \* 12/1992 Courchesne ..... D23/385  
5,298,701 A \* 3/1994 Sandor ..... H01R 13/707  
200/50.31  
D370,890 S \* 6/1996 Tiberio, Jr. .... D13/146  
D379,797 S \* 6/1997 Arnett ..... D13/156  
D537,570 S \* 2/2007 Sanders ..... D28/54.1  
2015/0111423 A1 \* 4/2015 Broere ..... B60L 11/1825  
439/527

**FOREIGN PATENT DOCUMENTS**

CA 2868890 A1 \* 4/2015 ..... B60L 11/1825

\* cited by examiner

*Primary Examiner* — Derrick Holland  
*Assistant Examiner* — Jennifer O King

(57) **CLAIM**

The ornamental design for an angle hood, as shown and described.

**DESCRIPTION**

FIG. 1 illustrates a top, front, left perspective view of an angle hood in accordance with the new design.

FIG. 2 is a front view thereof;

FIG. 3 is a rear view thereof;

FIG. 4 is a right side view thereof;

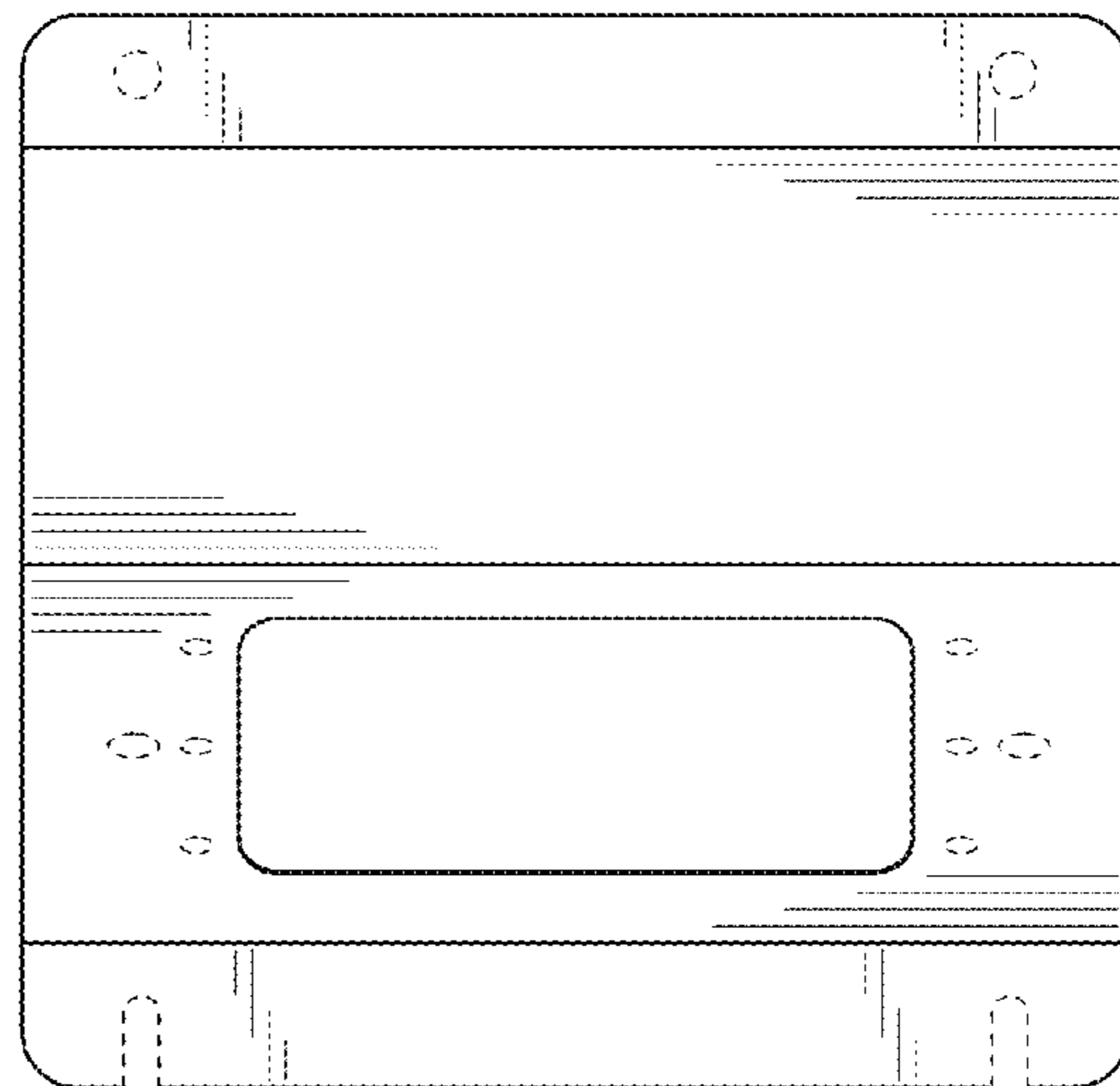
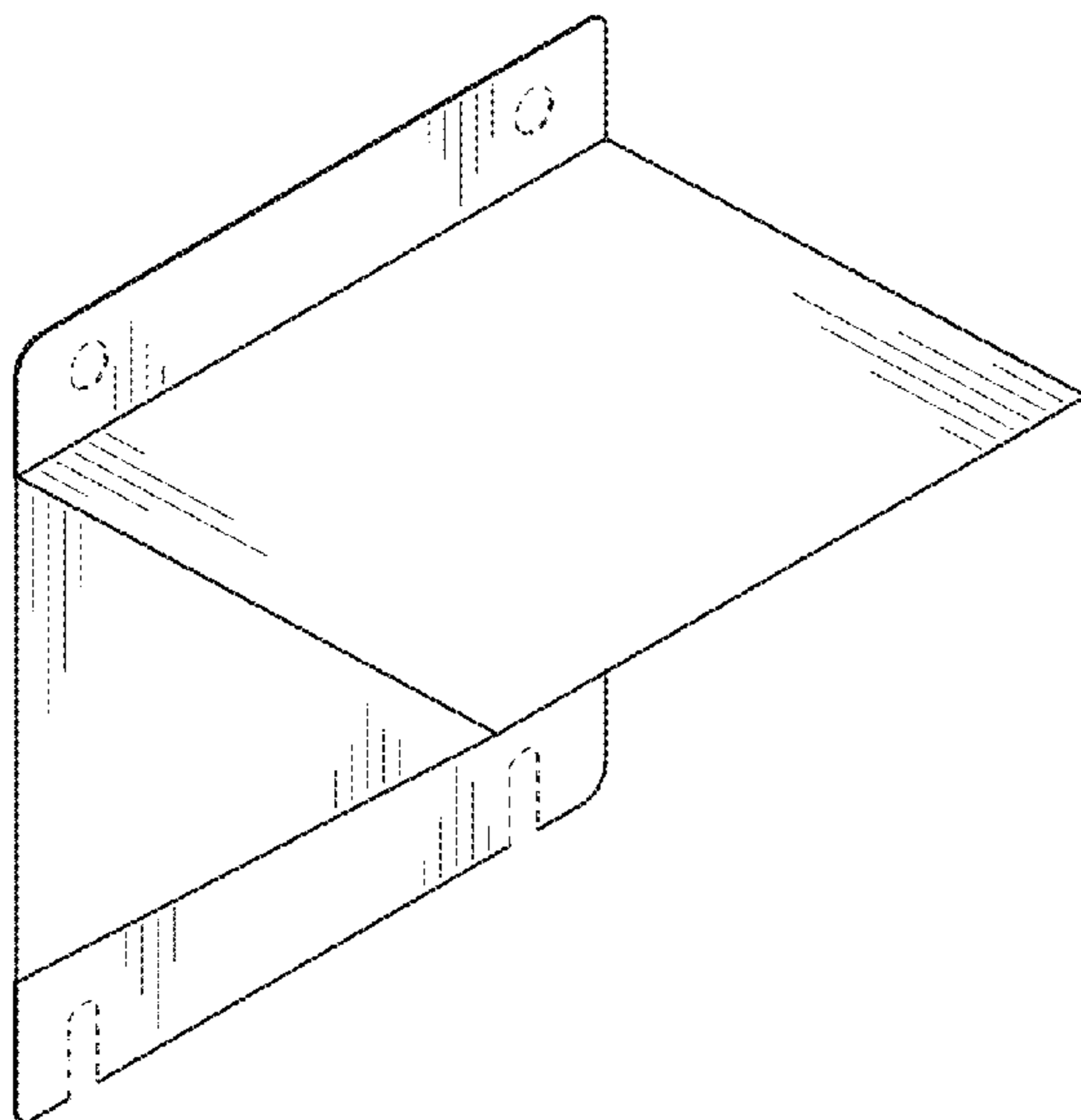
FIG. 5 is a left side view thereof;

FIG. 6 is a top view thereof; and,

FIG. 7 is a bottom view thereof.

The broken lines shown represent unclaimed subject matter and form no part of the claimed design.

**1 Claim, 3 Drawing Sheets**



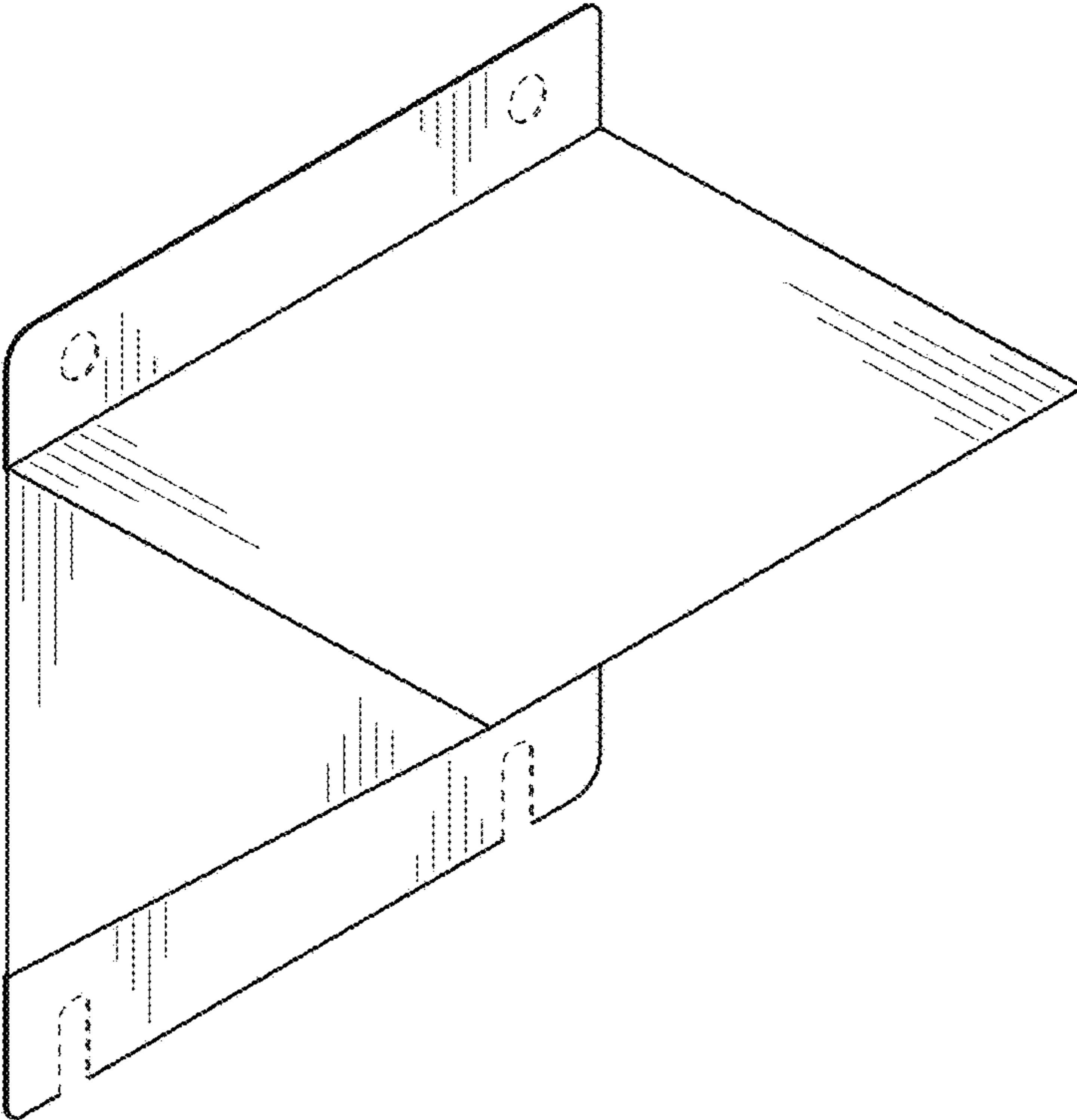


FIG. 1

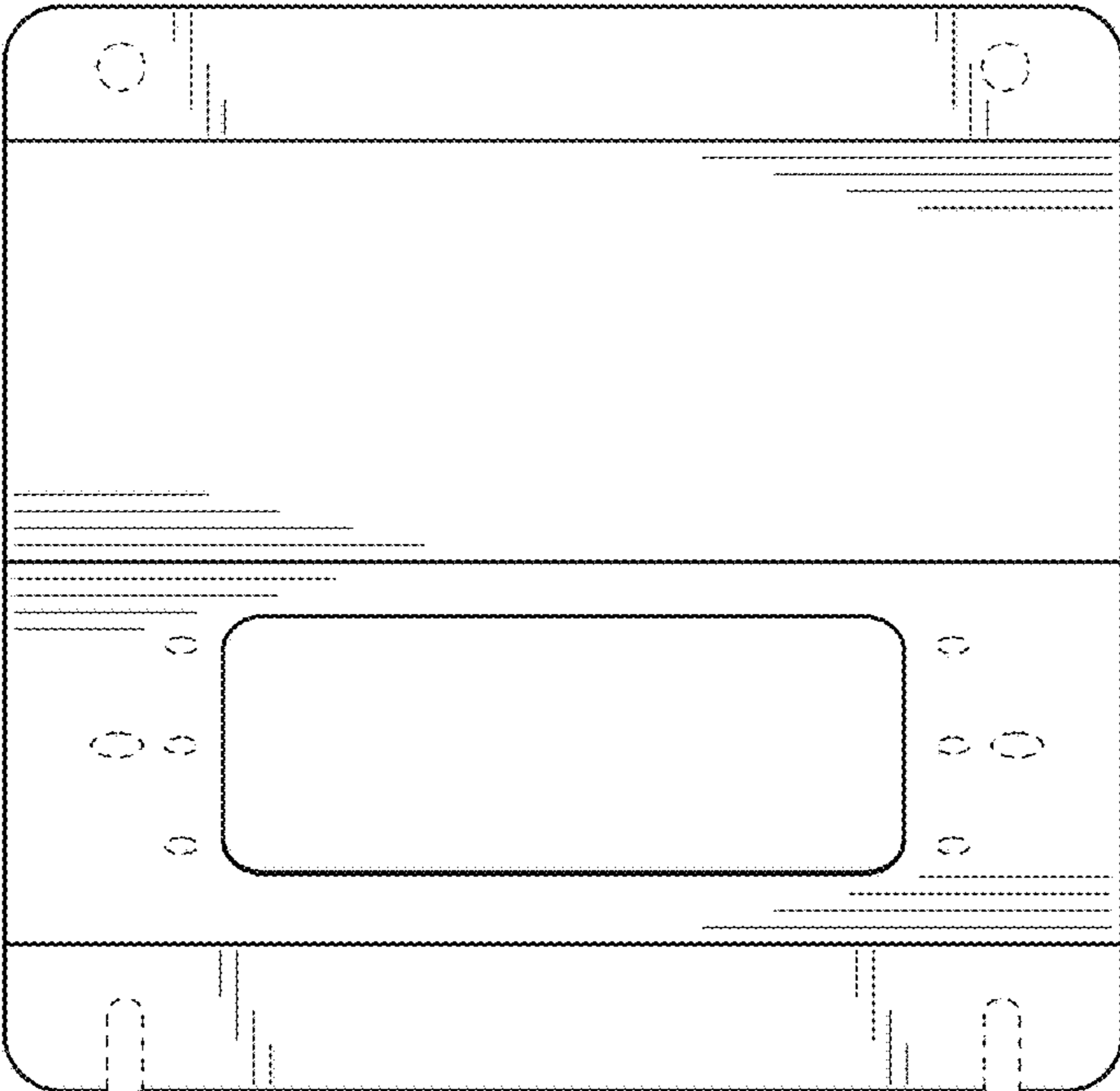


FIG. 2

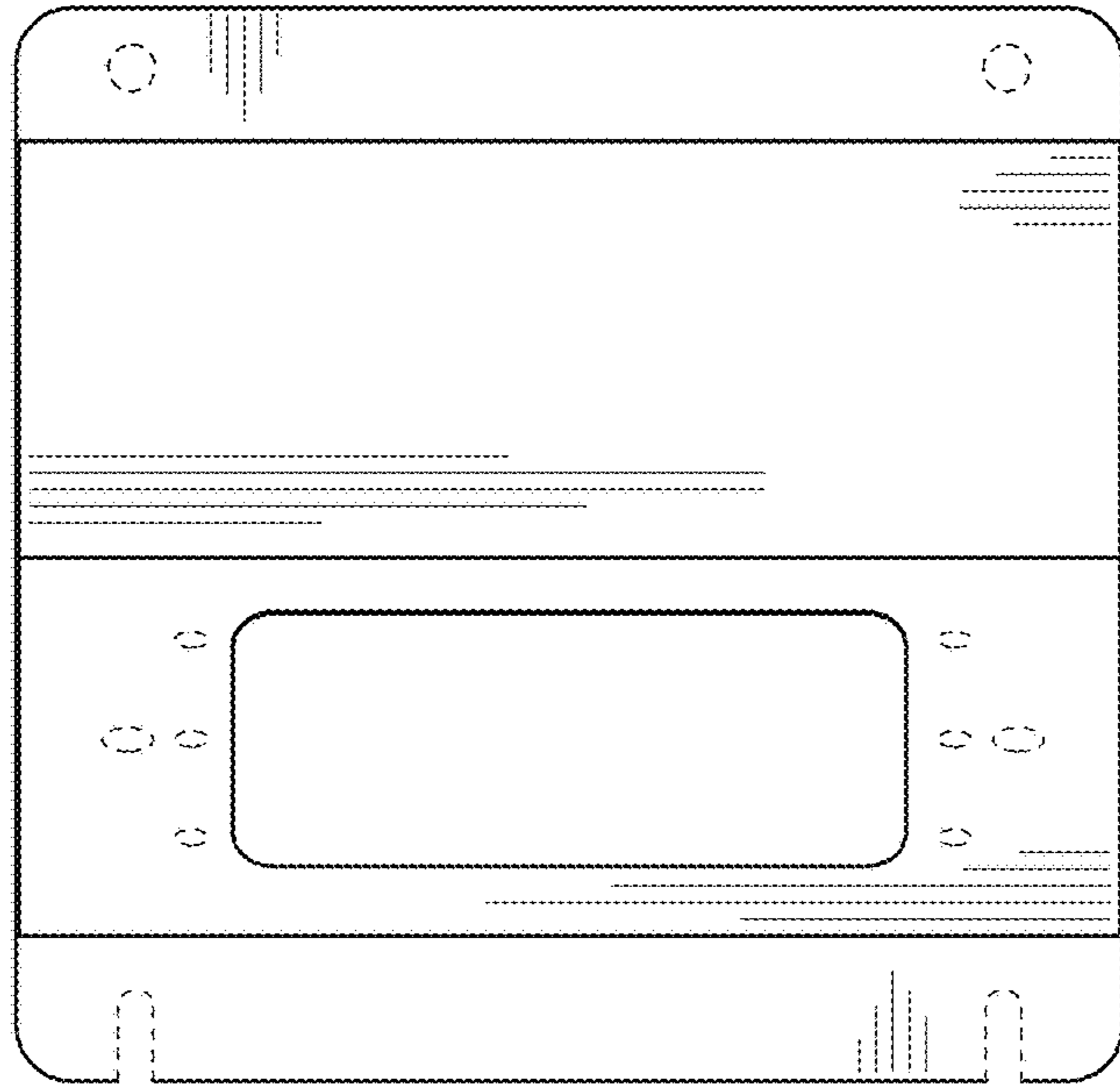


FIG. 3

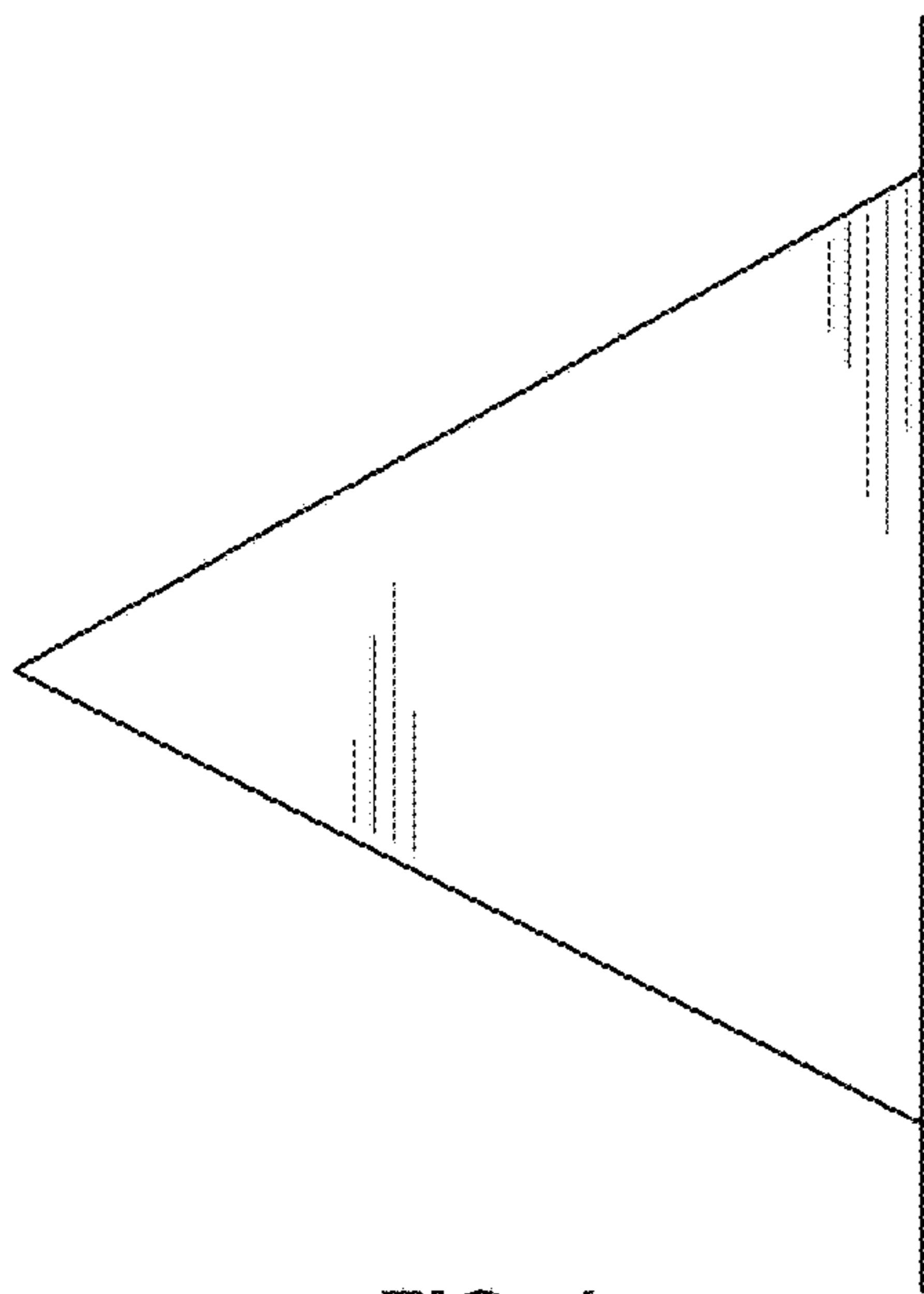


FIG. 4

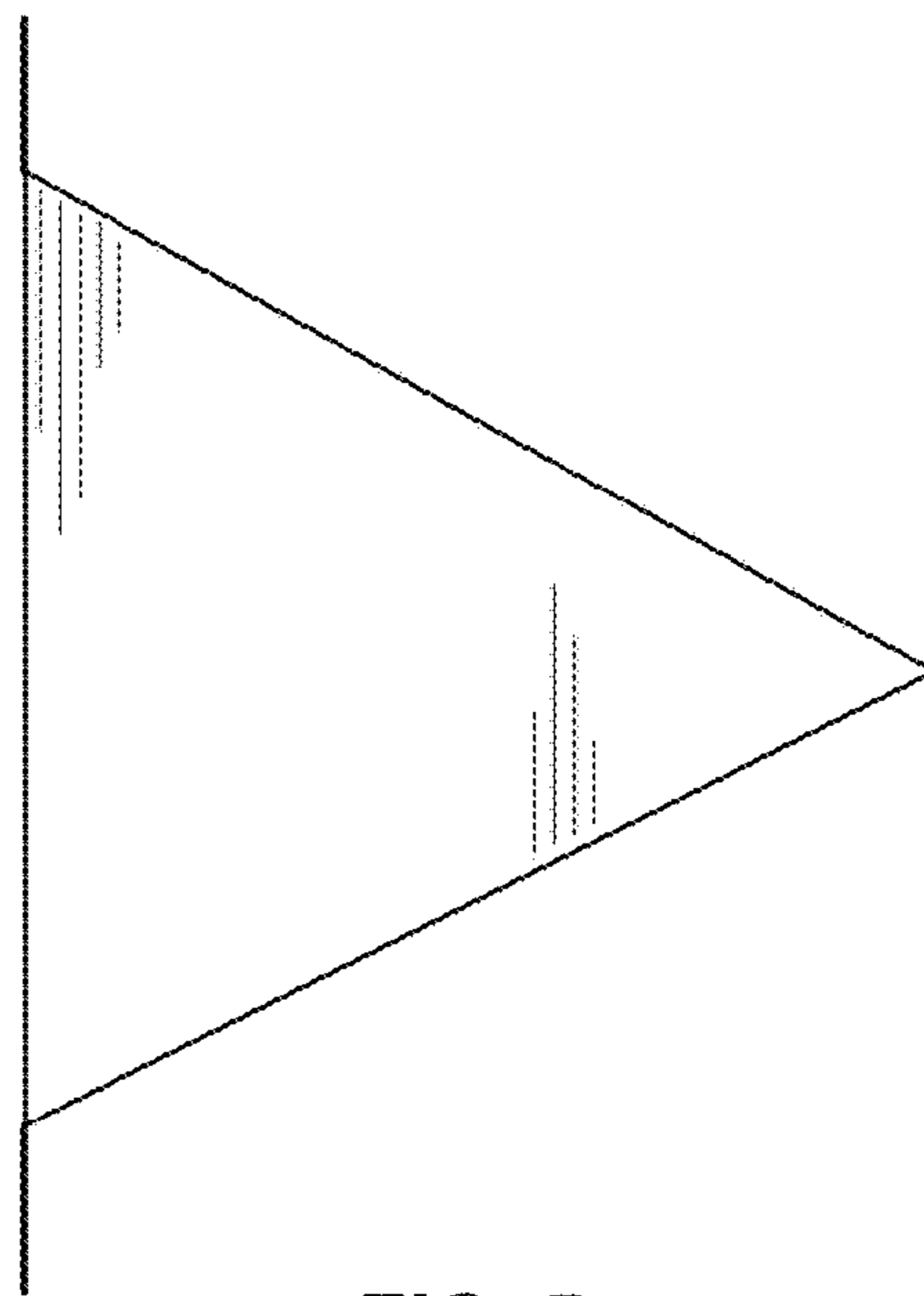


FIG. 5

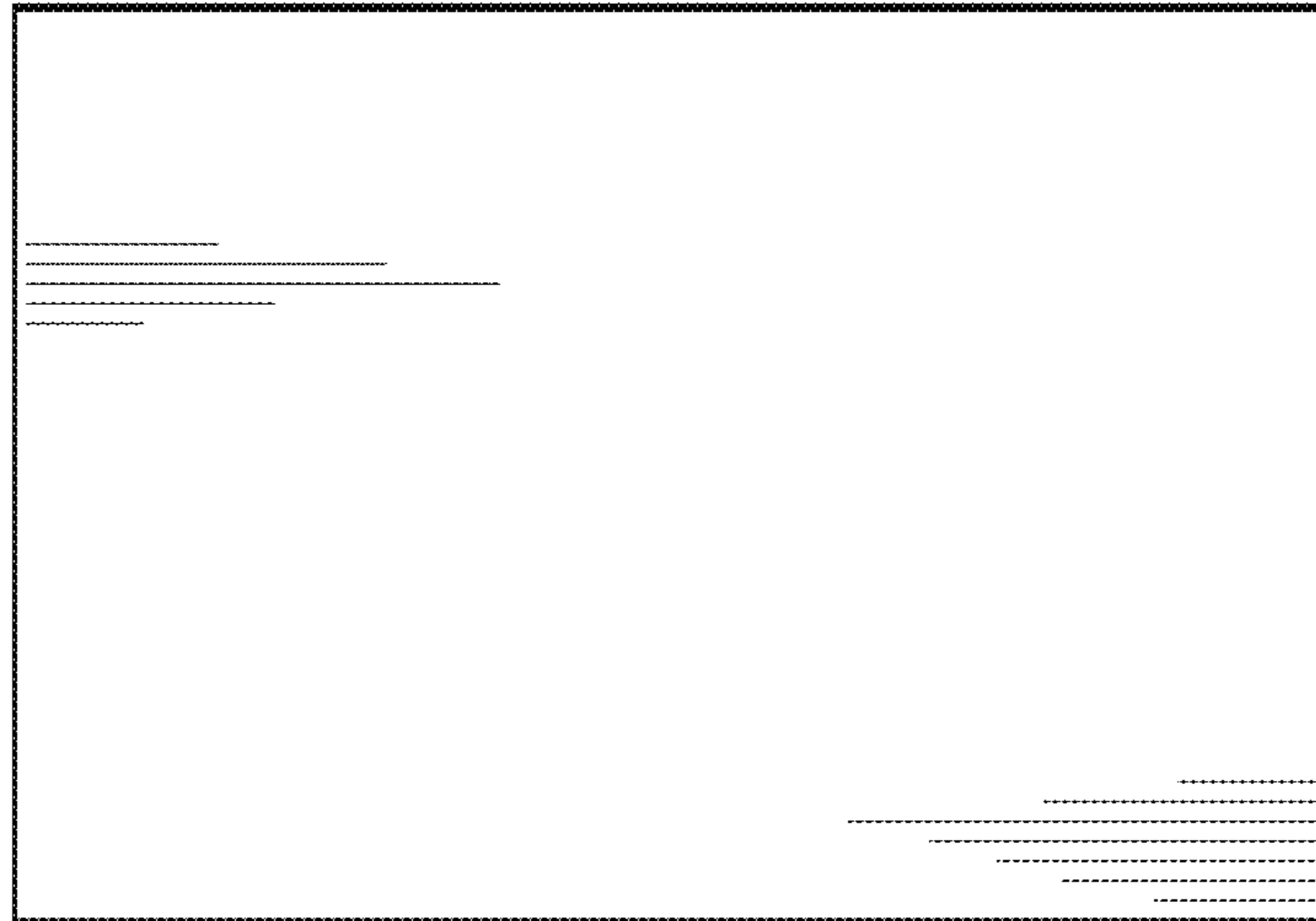


FIG. 6

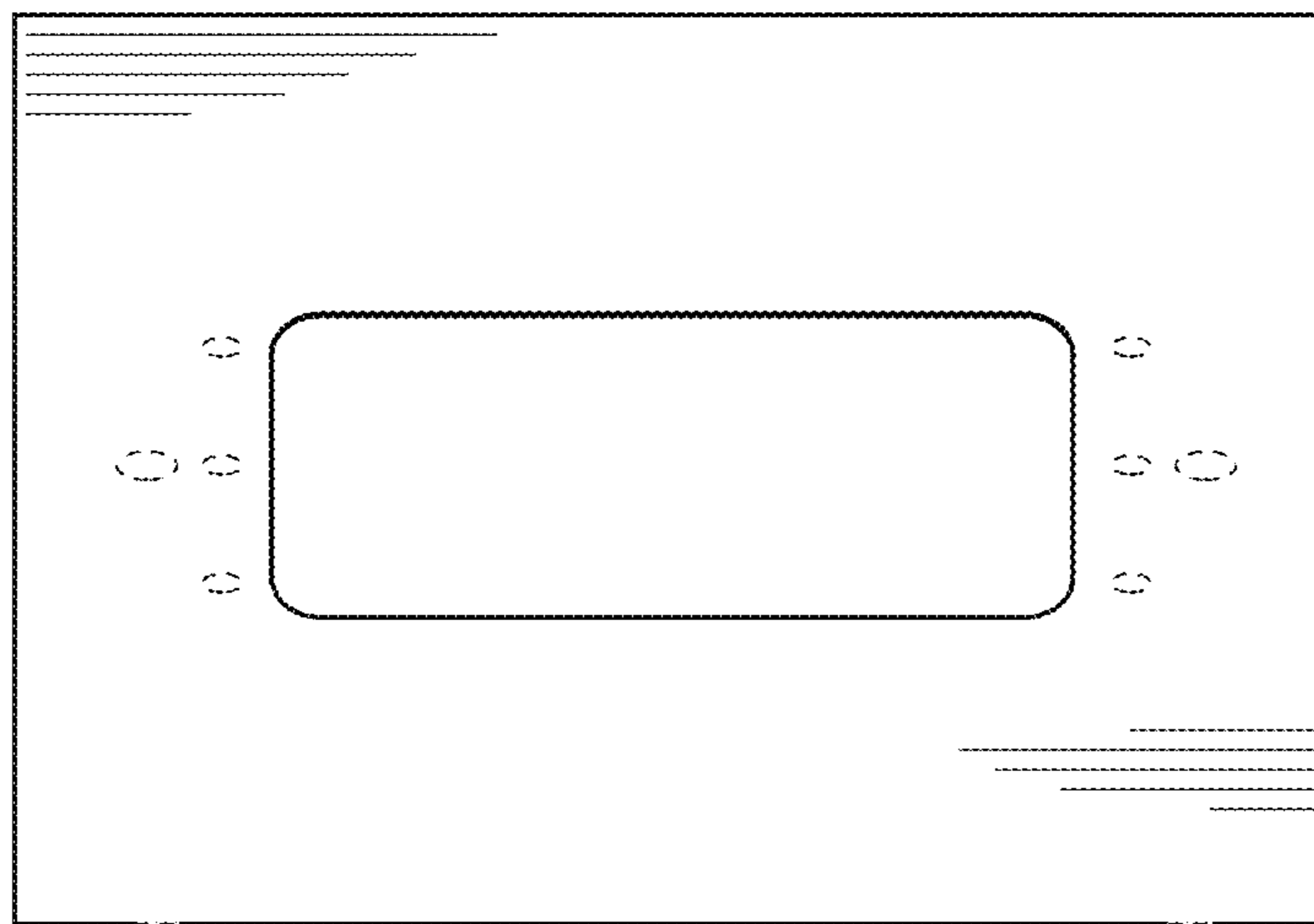


FIG. 7