



US00D780696S

(12) **United States Design Patent**  
**Sato et al.**

(10) **Patent No.:** **US D780,696 S**

(45) **Date of Patent:** **\*\* \*Mar. 7, 2017**

(54) **CONNECTOR**

(56) **References Cited**

(71) Applicant: **IRISO ELECTRONICS CO., LTD.**,  
Yokohama, Kanagawa (JP)

(72) Inventors: **Katsumasa Sato**, Kanagawa (JP);  
**Hiroaki Kobayashi**, Kanagawa (JP);  
**Toshinori Nakayama**, Kanagawa (JP)

(73) Assignee: **IRISO ELECTRONICS CO., LTD.**,  
Kanagawa (JP)

(\*) Notice: This patent is subject to a terminal disclaimer.

(\*\*) Term: **15 Years**

(21) Appl. No.: **29/530,764**

(22) Filed: **Jun. 19, 2015**

(30) **Foreign Application Priority Data**

Dec. 19, 2014 (JP) ..... 2014-028527

(51) **LOC (10) Cl.** ..... **13-03**

(52) **U.S. Cl.**  
USPC ..... **D13/147**

(58) **Field of Classification Search**  
USPC ..... D13/133, 147, 154, 184, 199  
CPC ..... H01R 12/00; H01R 13/00; H01R 24/00;  
H01R 43/00

See application file for complete search history.

U.S. PATENT DOCUMENTS

D429,219 S *	8/2000	Chiou .....	D13/147
D456,011 S *	4/2002	Shi .....	D13/147
D505,920 S *	6/2005	Moritake .....	D13/147
D543,944 S *	6/2007	Yamada .....	D13/147
D584,693 S *	1/2009	Hatano .....	D13/147
D597,951 S *	8/2009	Hatano .....	D13/147

\* cited by examiner

*Primary Examiner* — Daniel Bui

(74) *Attorney, Agent, or Firm* — Buchanan Ingersoll & Rooney PC

(57) **CLAIM**

The ornamental design for a connector, as shown and described.

**DESCRIPTION**

FIG. 1 is a front elevational view of a connector showing our new design; a rear elevational view thereof being a same image;

FIG. 2 is a right side elevational view thereof; a left side elevational view thereof being a mirror image;

FIG. 3 is a top plan view thereof;

FIG. 4 is a bottom plan view thereof; and,

FIG. 5 is a perspective view thereof.

FIG. 6 is an enlarged cross-sectional view thereof taken along the line 6-6 in FIG. 1; and,

FIG. 7 is an enlarged cross-sectional view thereof taken along the line 7-7 in FIG. 3.

**1 Claim, 7 Drawing Sheets**

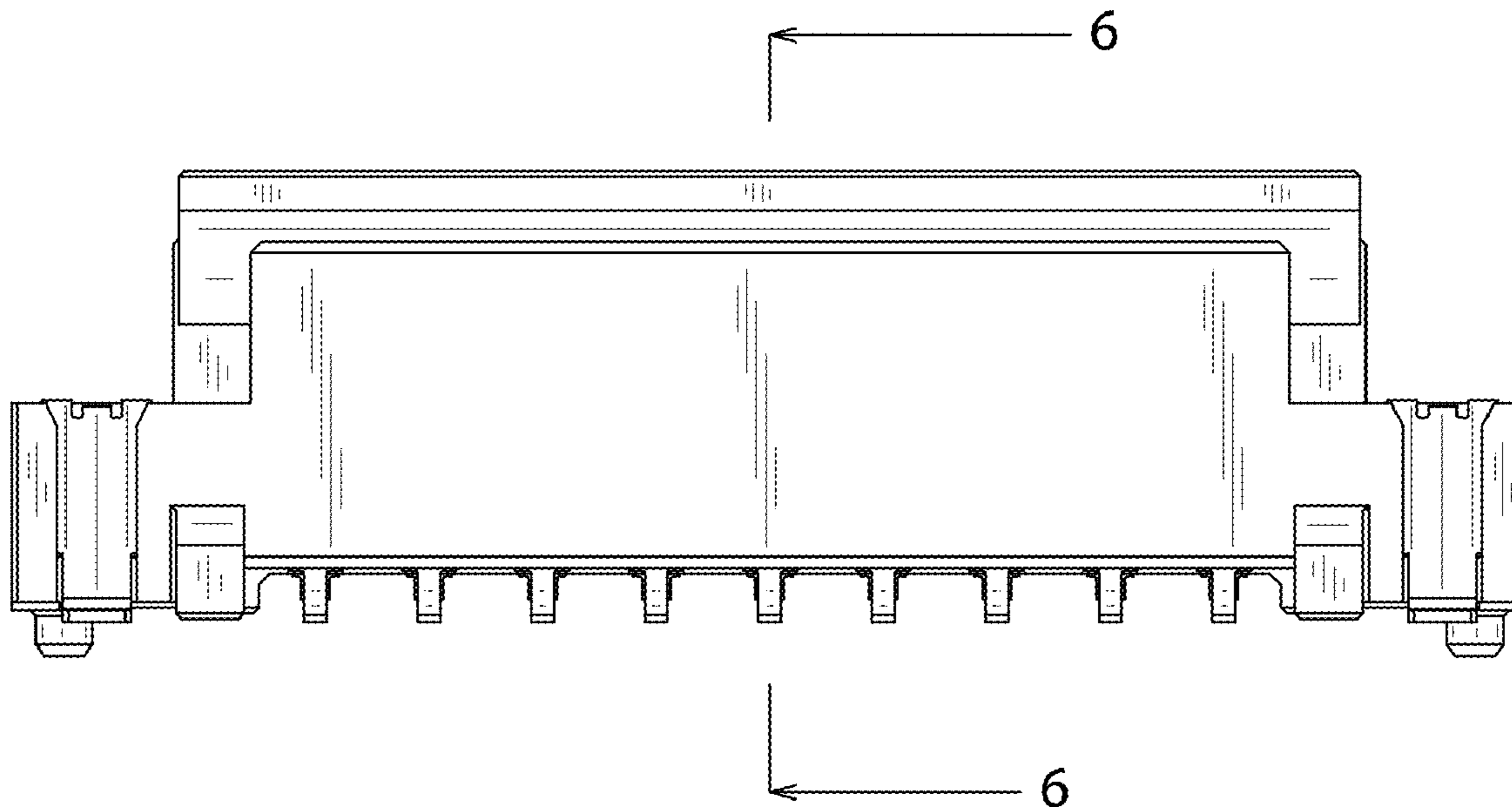


Fig. 1

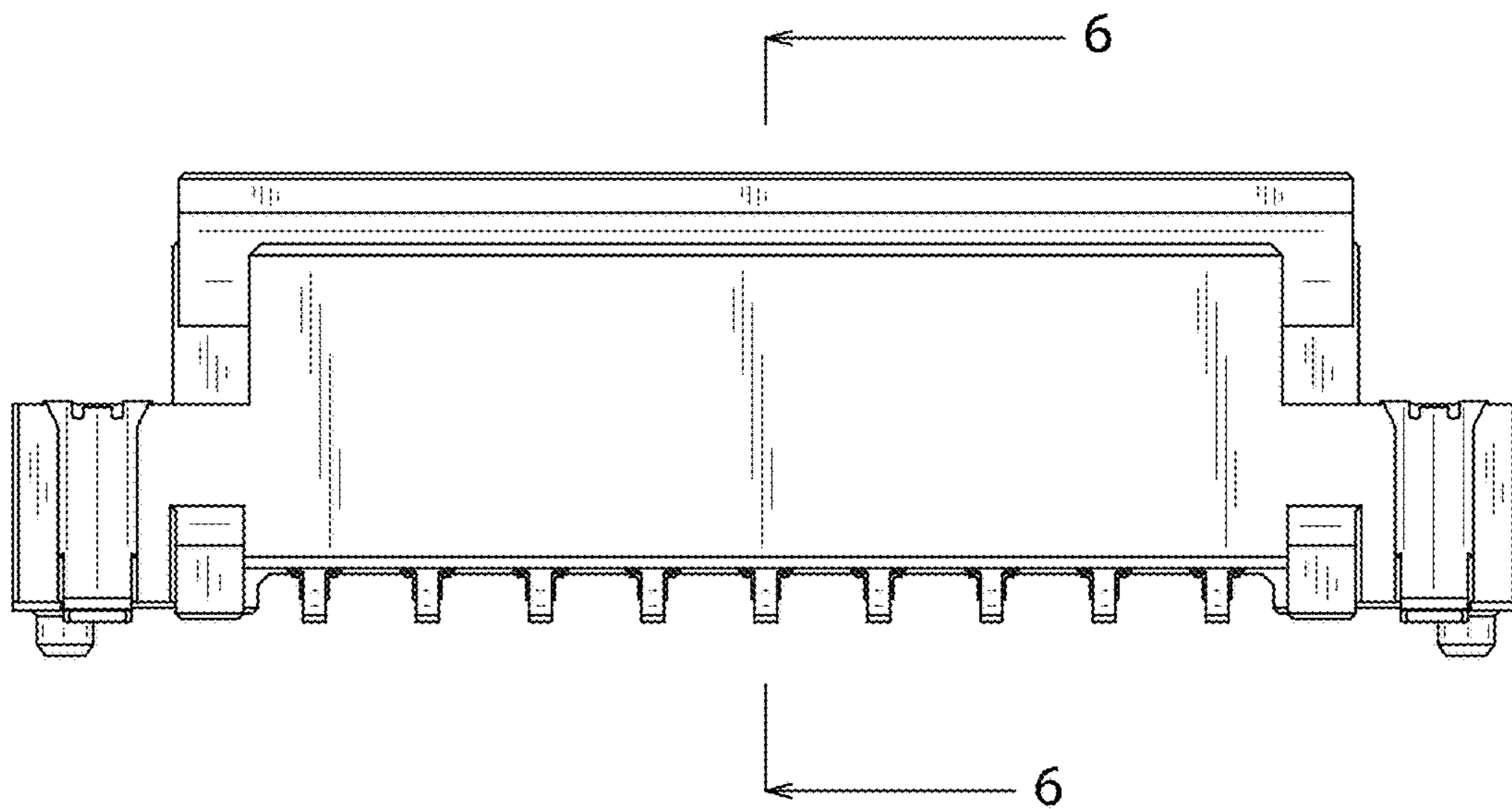


Fig. 2

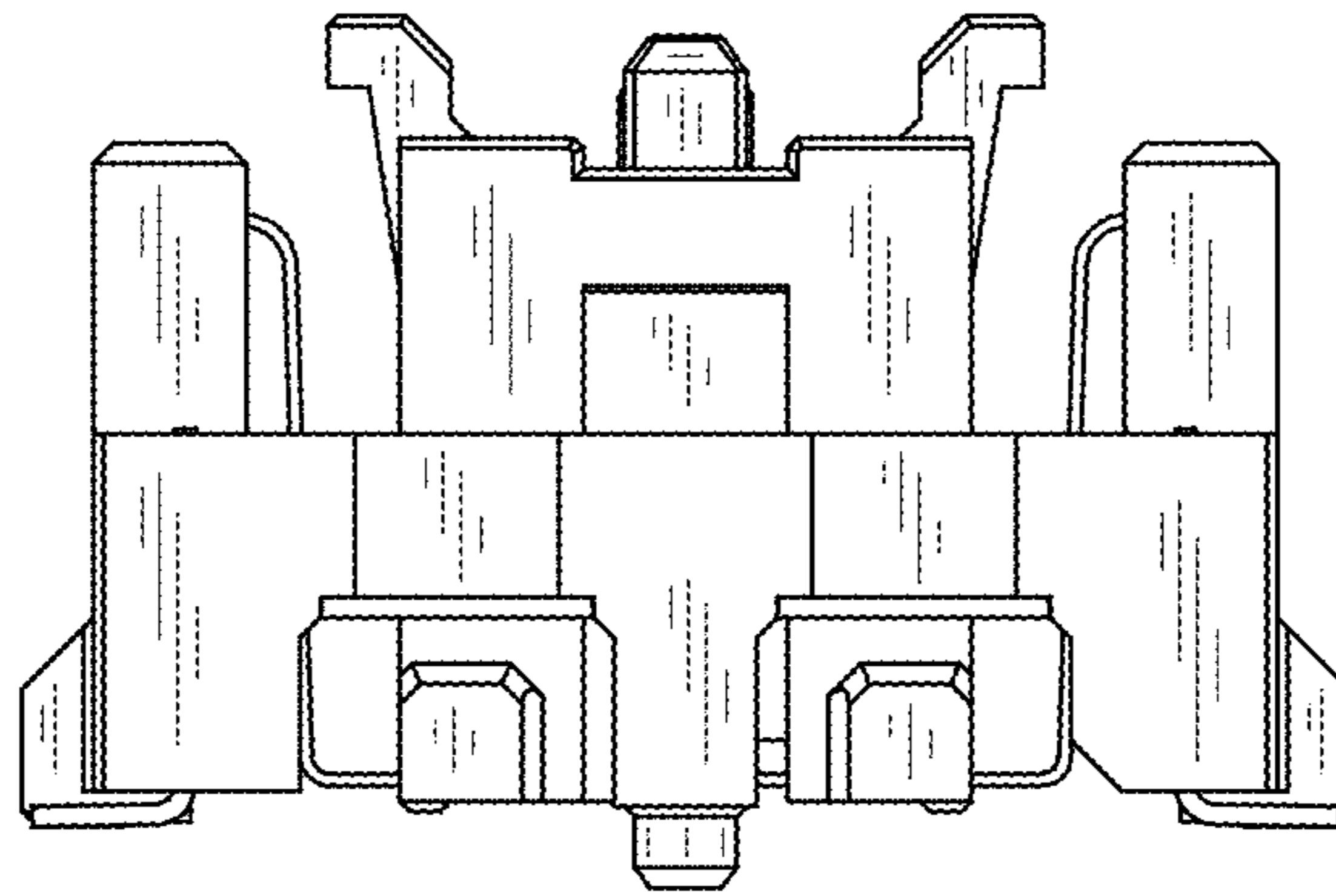


Fig. 3

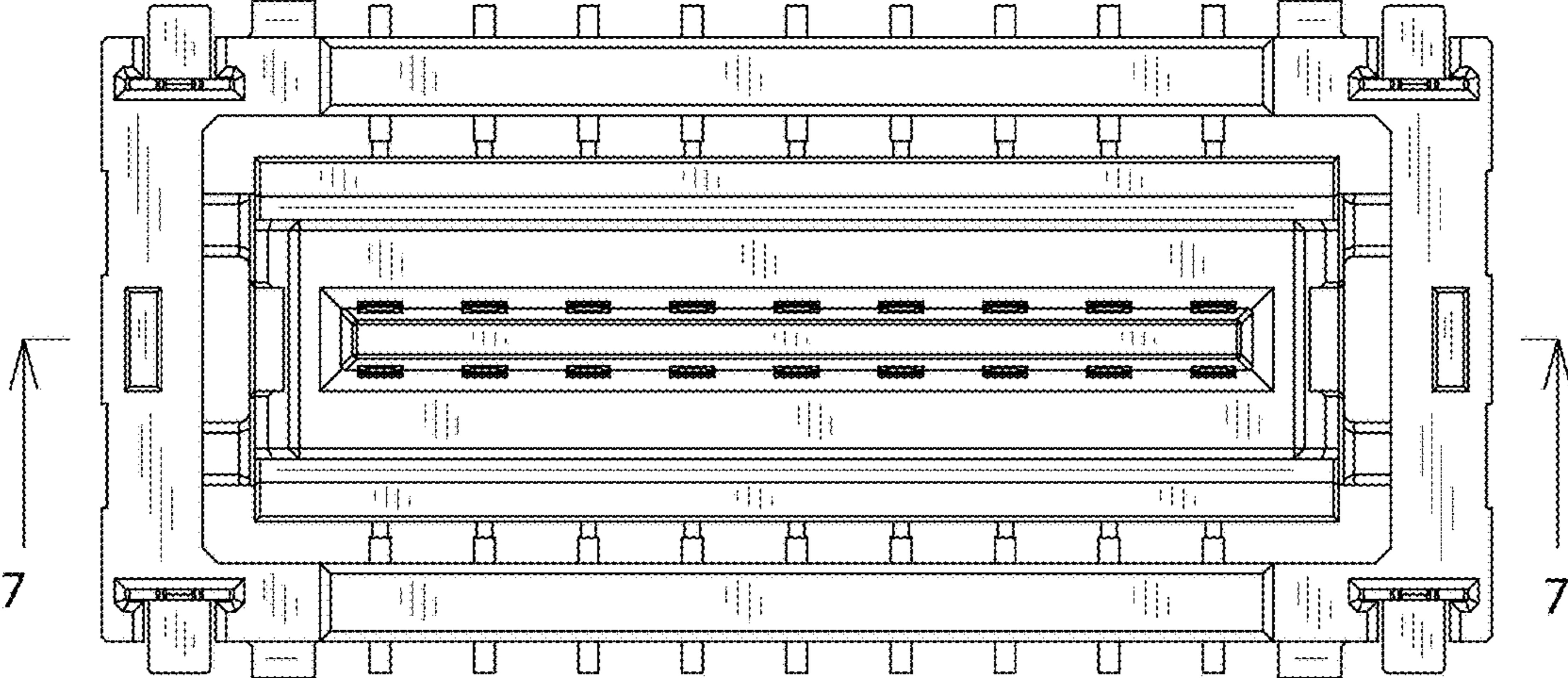


Fig. 4

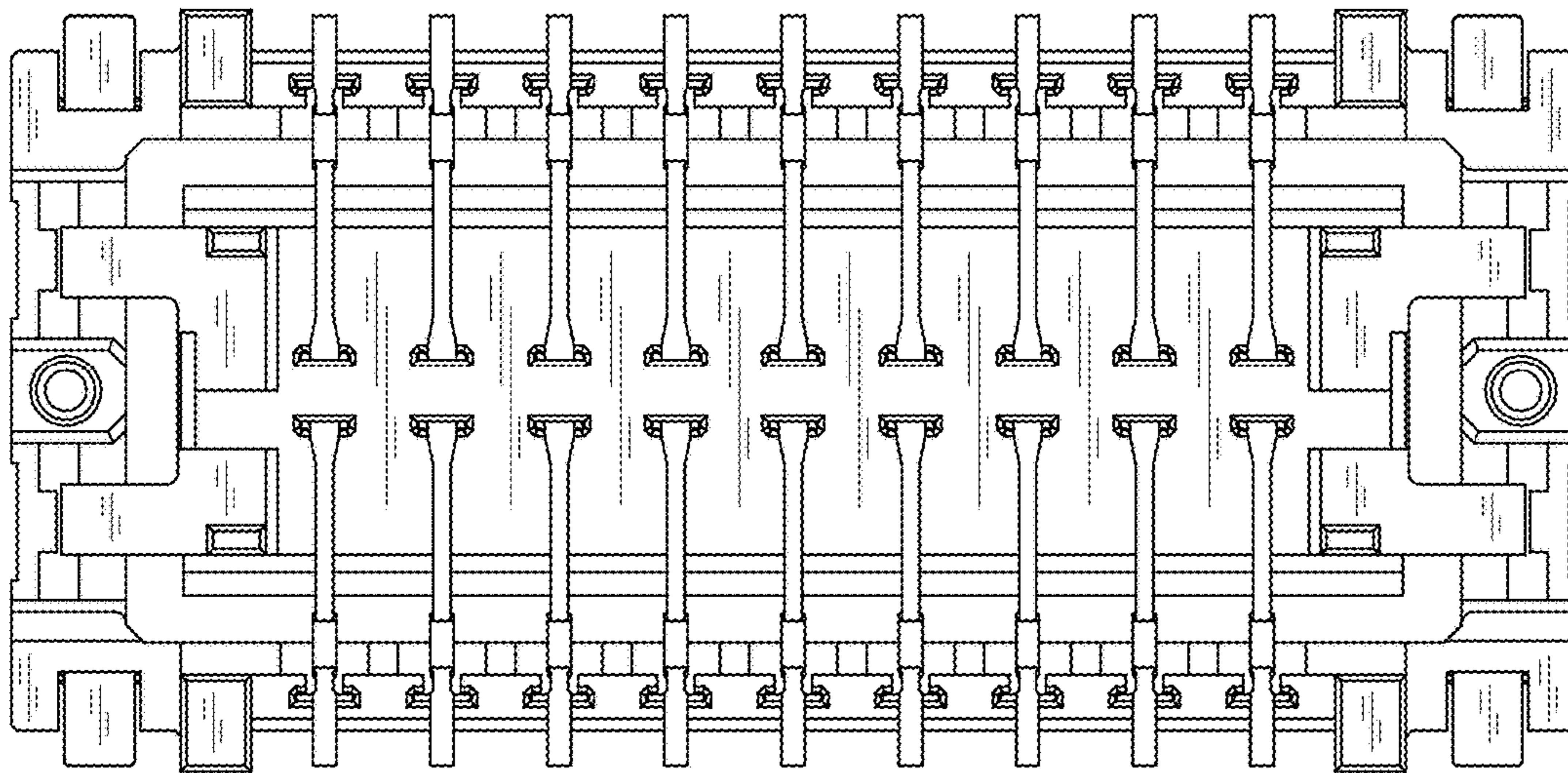


Fig. 5

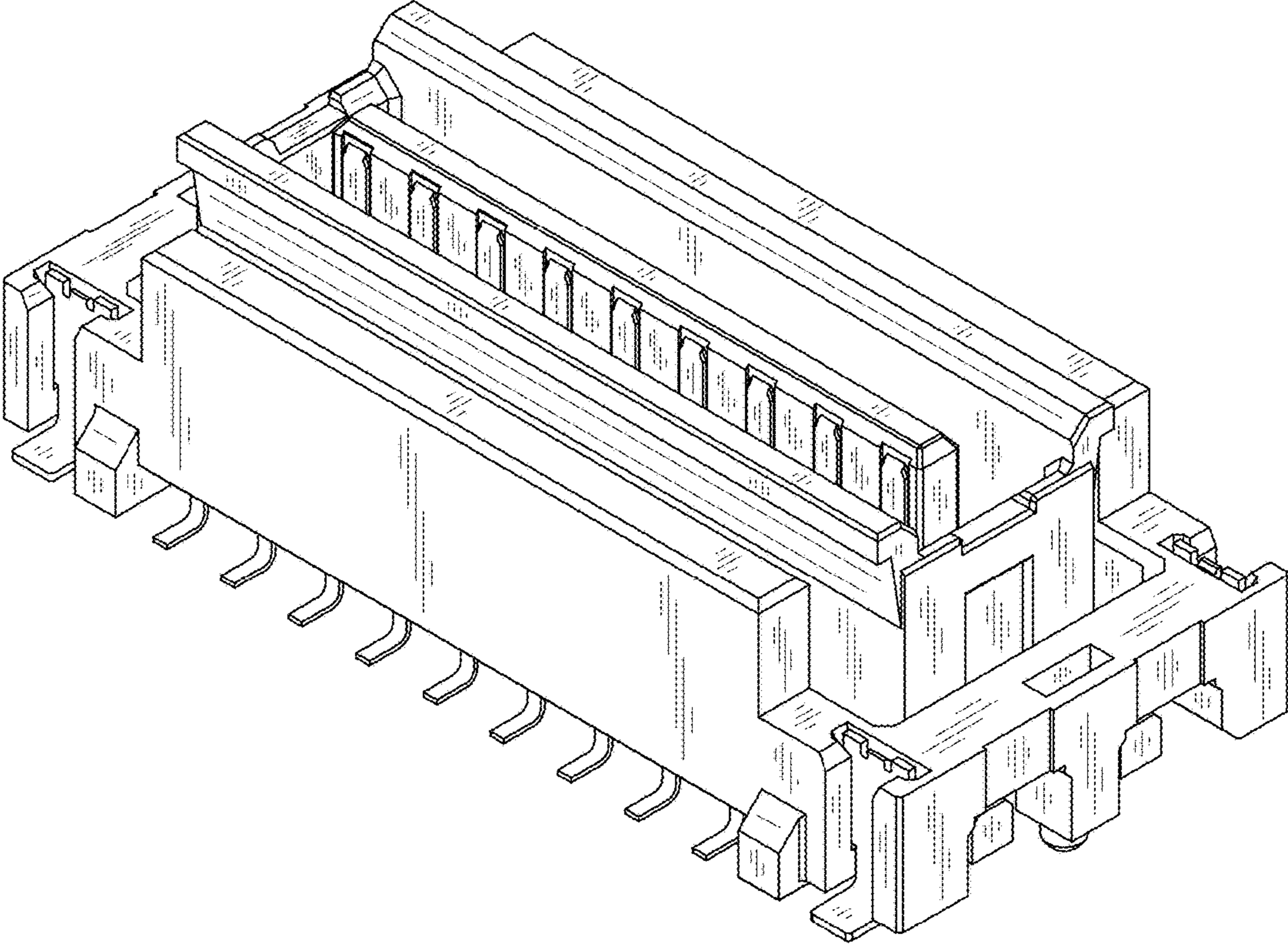


Fig. 6

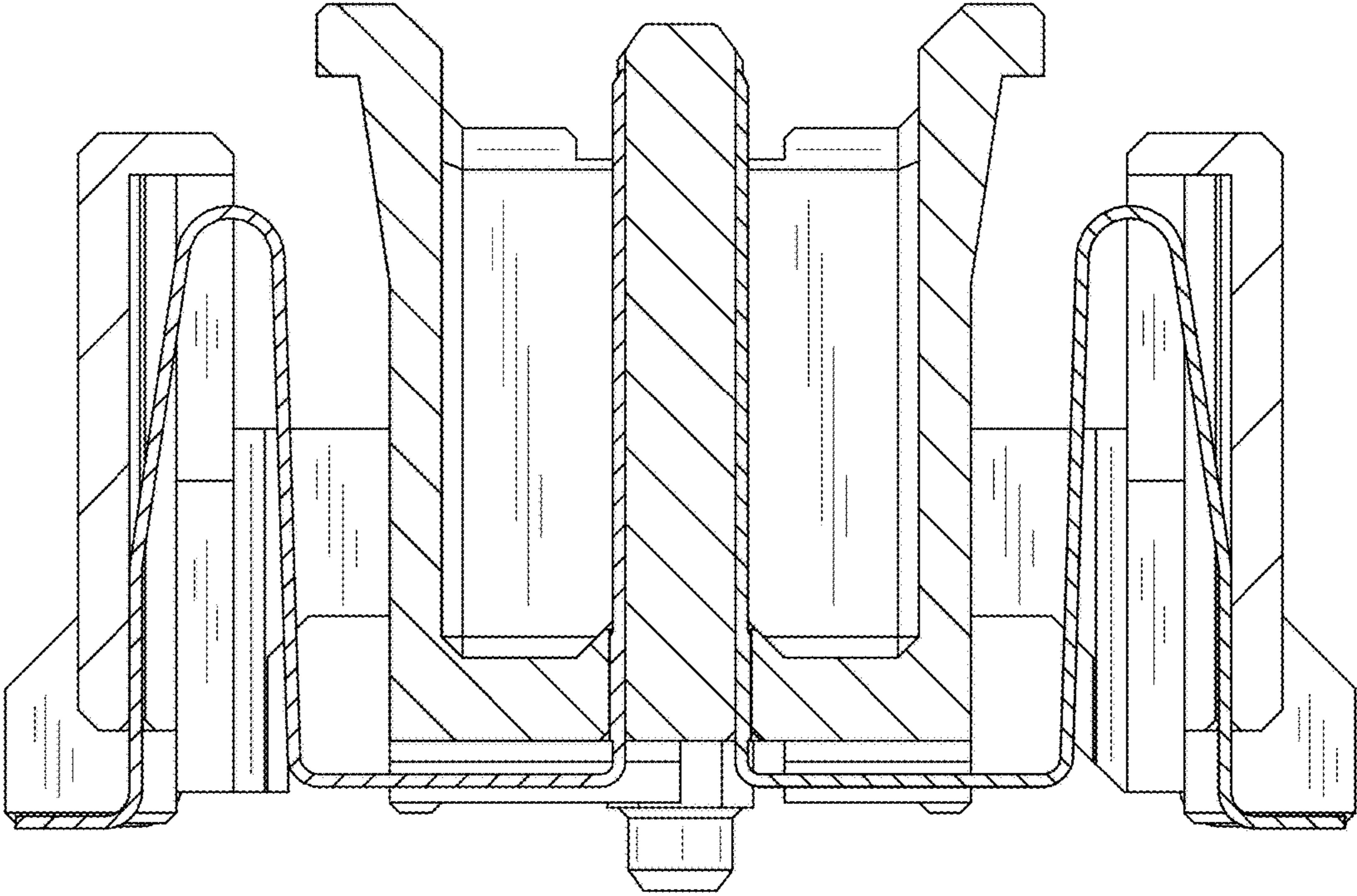


Fig. 7

