



US00D780692S

(12) **United States Design Patent**  
**Hopponen**

(10) **Patent No.:** **US D780,692 S**

(45) **Date of Patent:** **\*\* Mar. 7, 2017**

(54) **POWER CONVERTER**

(71) Applicant: **EFORE OYJ**, Espoo (FI)

(72) Inventor: **Juha Hopponen**, Espoo (FI)

(73) Assignee: **EFORE OYJ**, Espoo (FI)

(\*\*) Term: **15 Years**

(21) Appl. No.: **29/543,291**

(22) Filed: **Oct. 22, 2015**

(30) **Foreign Application Priority Data**

Apr. 23, 2015 (EM) ..... 002687541-0001

(51) **LOC (10) Cl.** ..... **13-02**

(52) **U.S. Cl.**  
USPC ..... **D13/110**

(58) **Field of Classification Search**

USPC ..... D13/110, 108, 118, 123, 162, 168, 169,  
D13/174, 177, 184, 199; D14/257, 432,  
D14/438; 174/16.3, 17 R, 17.08;  
361/600, 601, 690, 694, 695, 679.01,  
361/679.61, 704, 730; 363/141, 142  
CPC ..... H05K 5/00; H05K 5/02; H05K 5/0247;  
H05K 7/00; H05K 7/20; H05K 7/20136;  
H05K 7/20154; H05K 7/209; H02M 7/00;  
H02M 7/003; H02M 2001/009; H02J  
7/0042; Y10T 307/367

See application file for complete search history.

(56) **References Cited**

**U.S. PATENT DOCUMENTS**

D349,682 S \* 8/1994 Hunziker ..... D13/110  
5,742,478 A \* 4/1998 Wu ..... H05K 7/20154  
361/704

5,949,640 A \* 9/1999 Cameron ..... H02M 7/003  
361/600  
D426,810 S \* 6/2000 Wei ..... D13/110  
D427,148 S \* 6/2000 Wei ..... D13/110  
D437,288 S \* 2/2001 Light ..... D13/110  
D489,682 S \* 5/2004 Guillarme ..... D13/110  
D490,051 S \* 5/2004 Kikumoto ..... D13/102  
D548,181 S \* 8/2007 Krieger ..... D13/110  
D604,237 S \* 11/2009 Engel ..... D13/110

\* cited by examiner

*Primary Examiner* — Derrick Holland

(74) *Attorney, Agent, or Firm* — Young & Thompson

(57) **CLAIM**

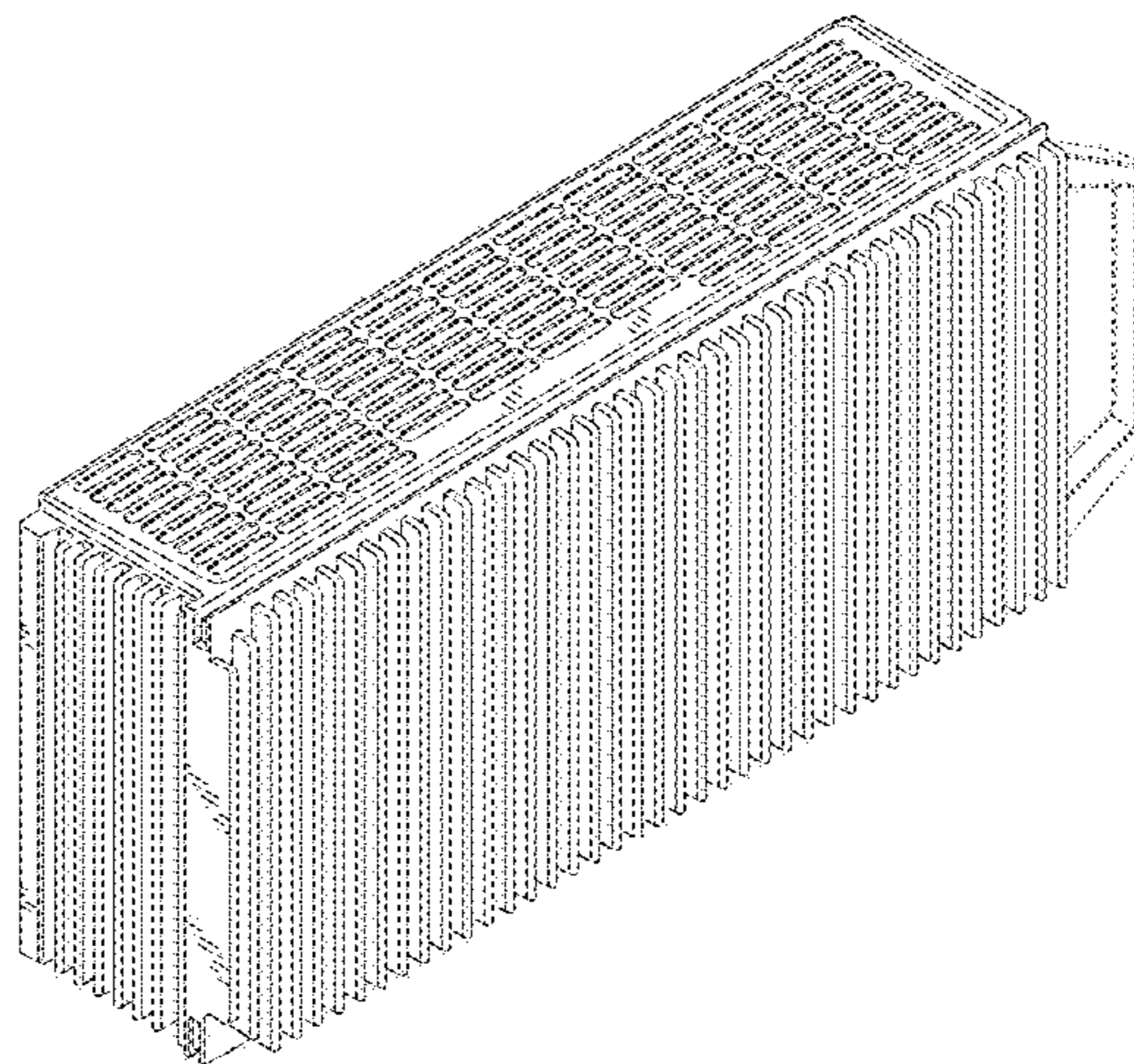
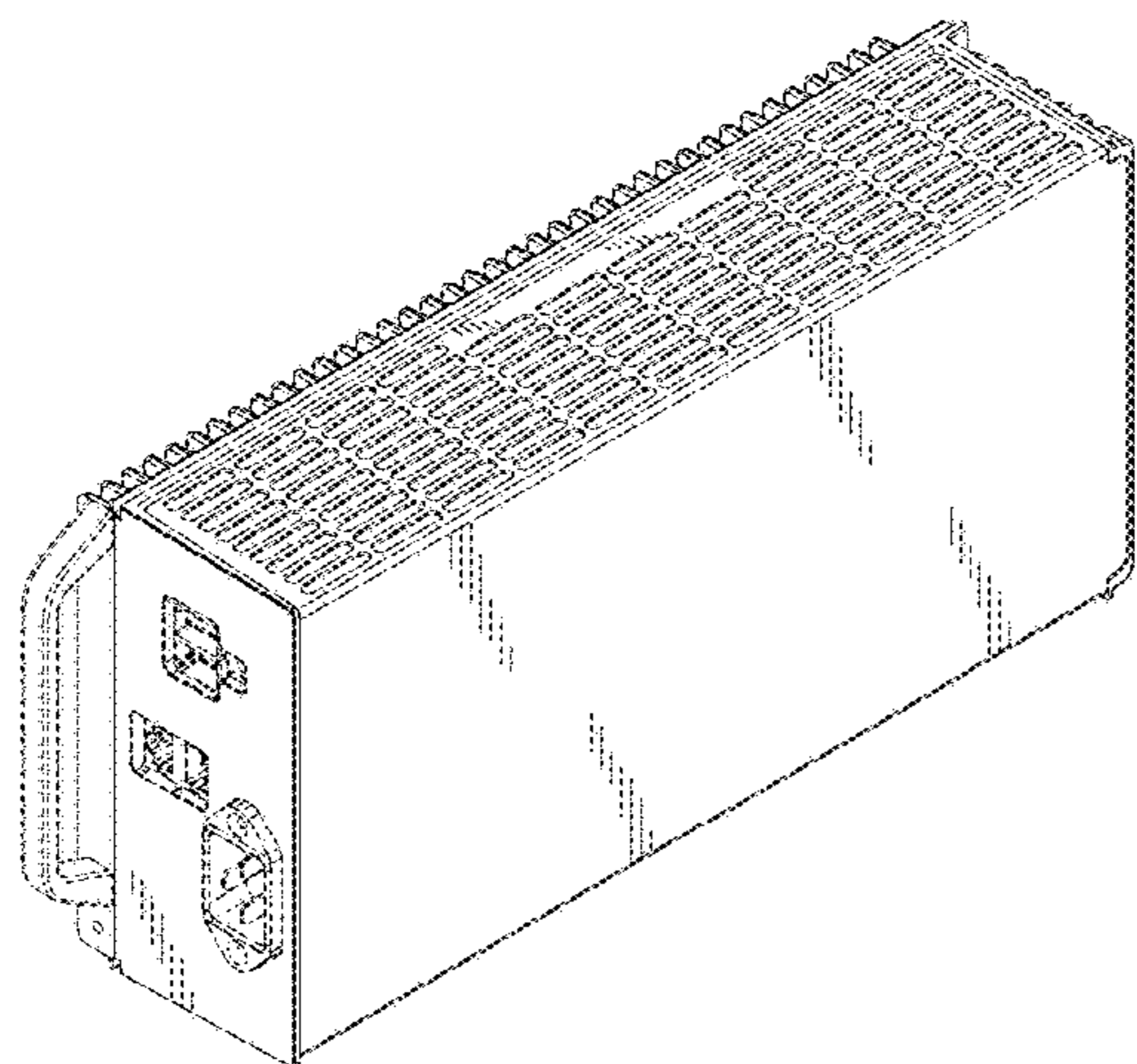
The ornamental design for a power converter, as shown and described.

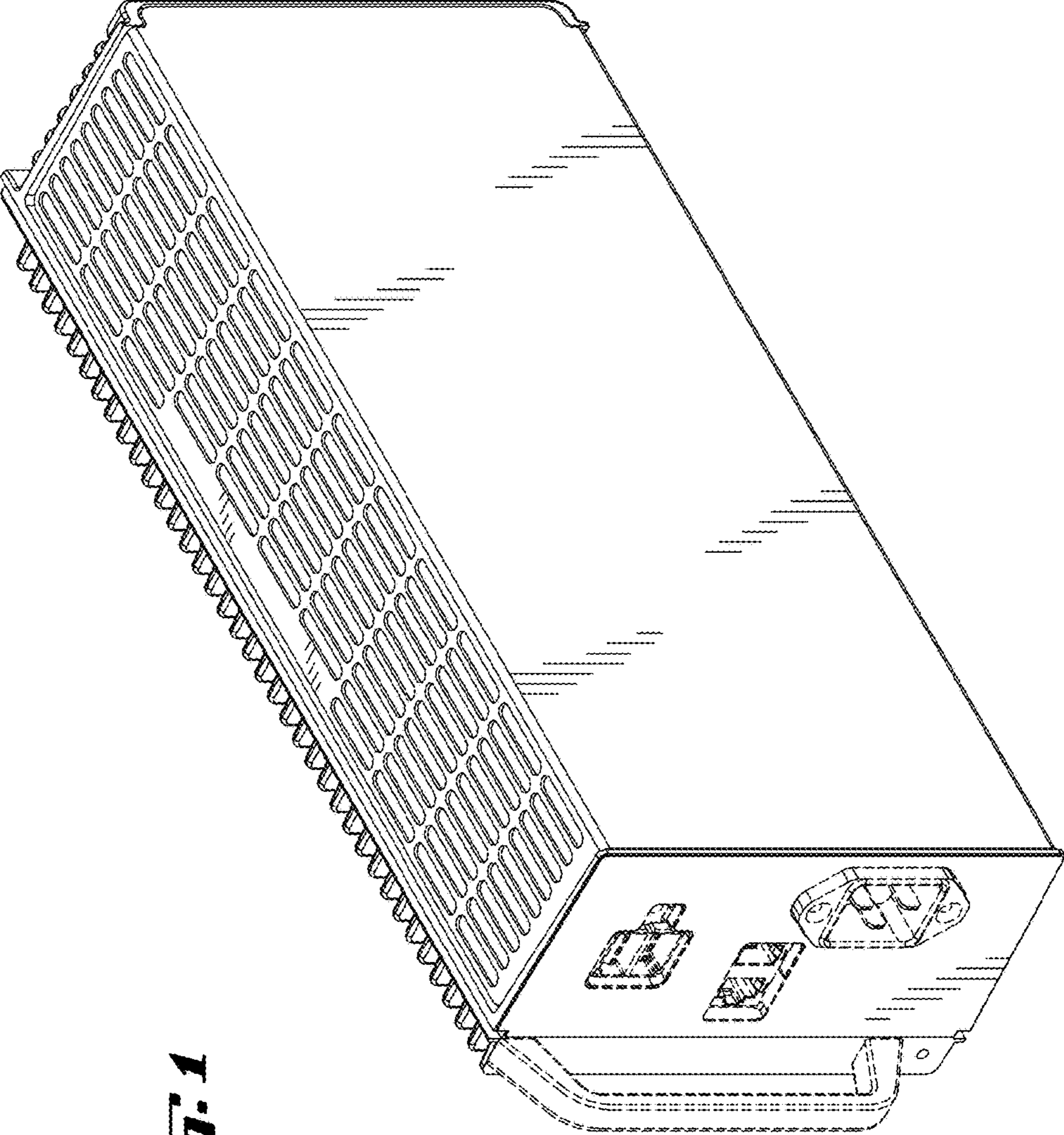
**DESCRIPTION**

FIG. 1 is a front, right side, and top perspective view of a power converter showing the new design;  
FIG. 2 is a top plan view thereof;  
FIG. 3 is a bottom plan view thereof;  
FIG. 4 is a left side elevation view thereof;  
FIG. 5 is a right side elevation view thereof;  
FIG. 6 is a rear elevation view thereof;  
FIG. 7 is a front elevation view thereof; and,  
FIG. 8 is a rear, right side, and bottom perspective view thereof.

The broken lines shown in the figures represent unclaimed portions of the power converter and form no part of the claimed design.

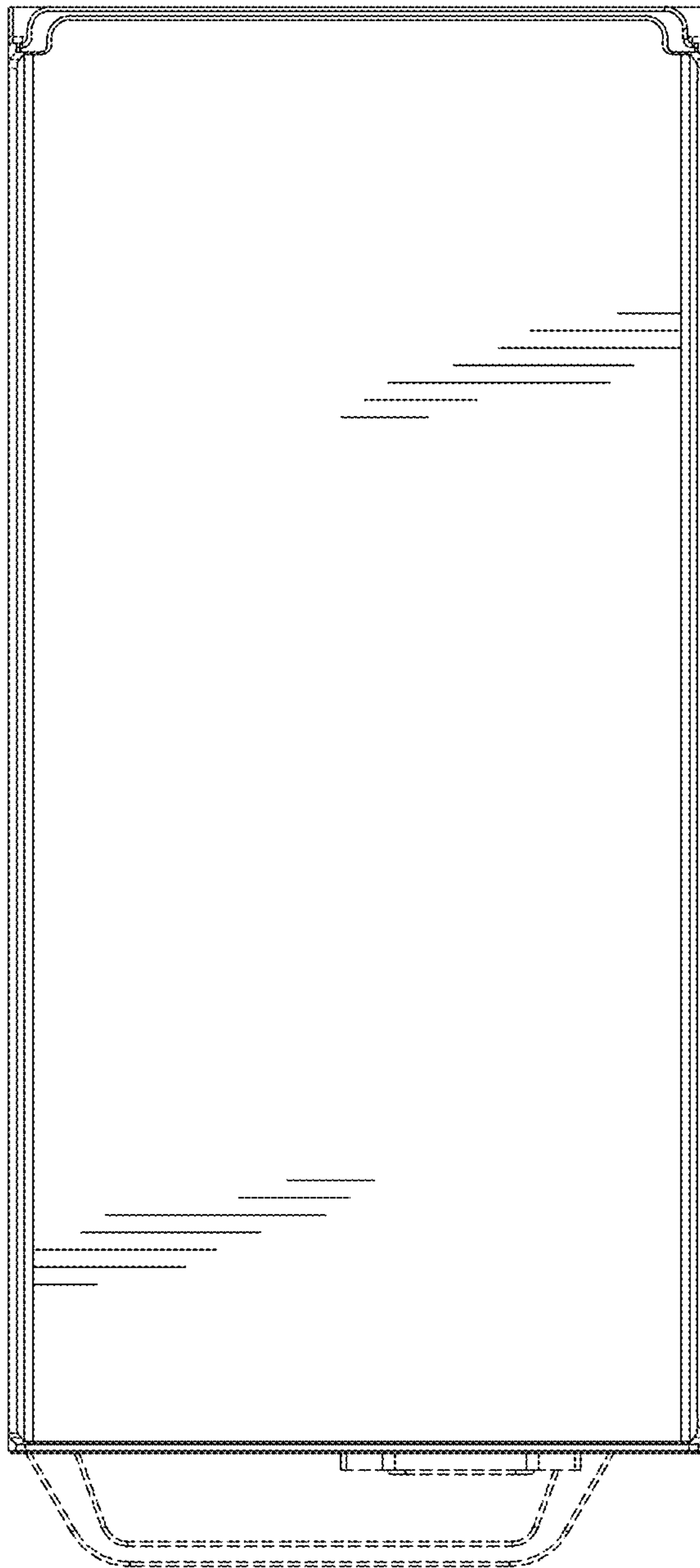
**1 Claim, 8 Drawing Sheets**



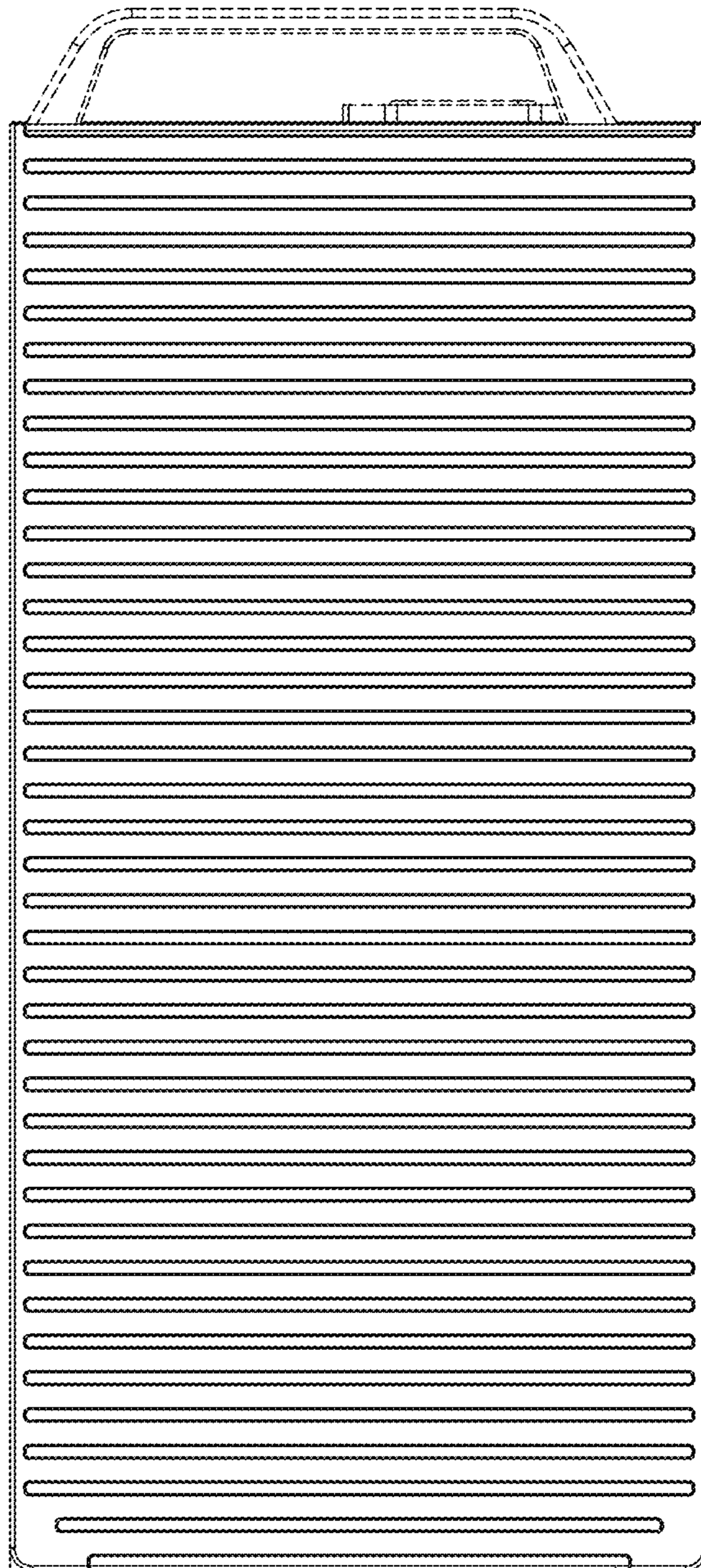


**Fig. 1**

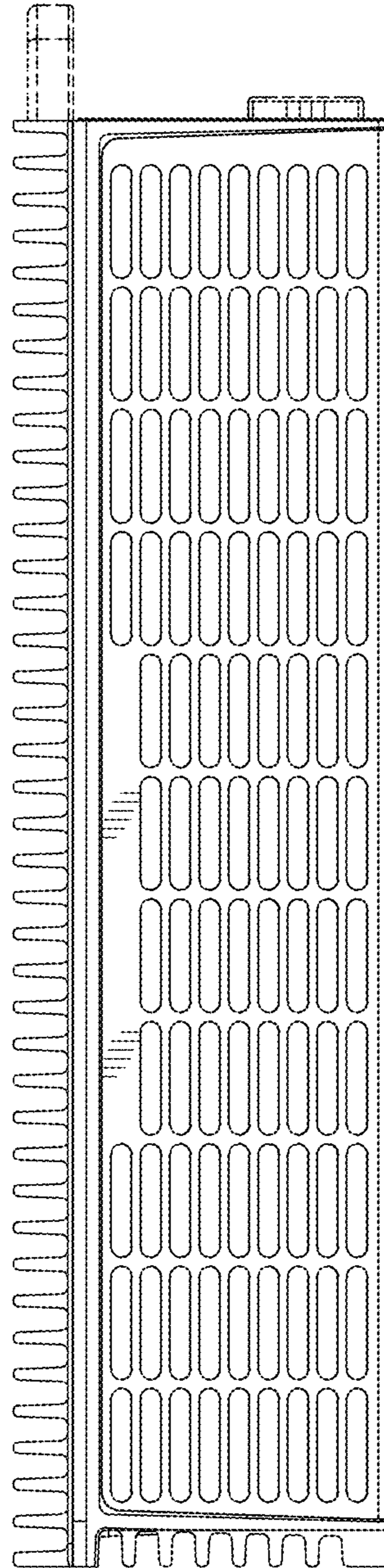
**Fig. 2**



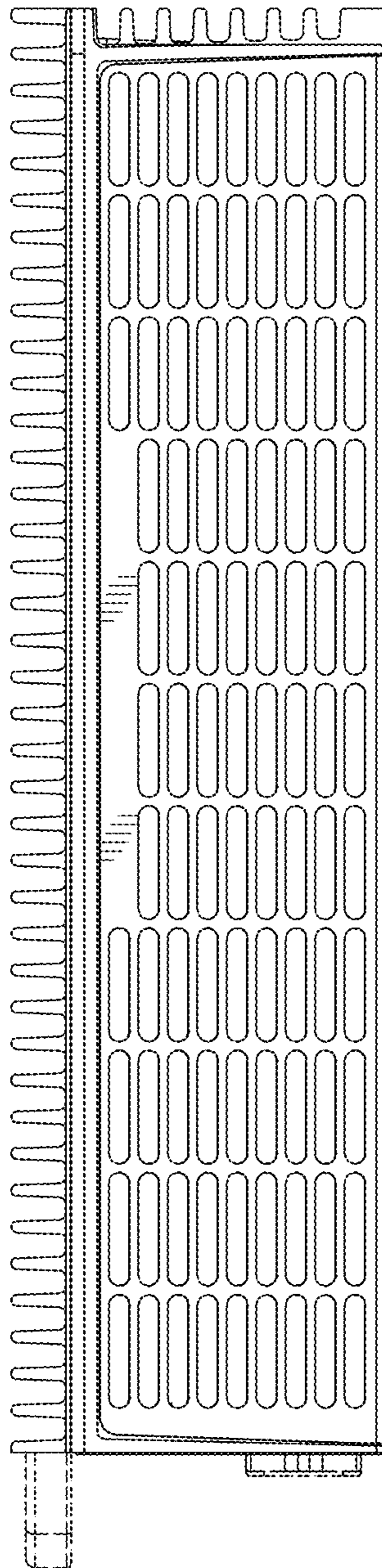
**Fig. 3**



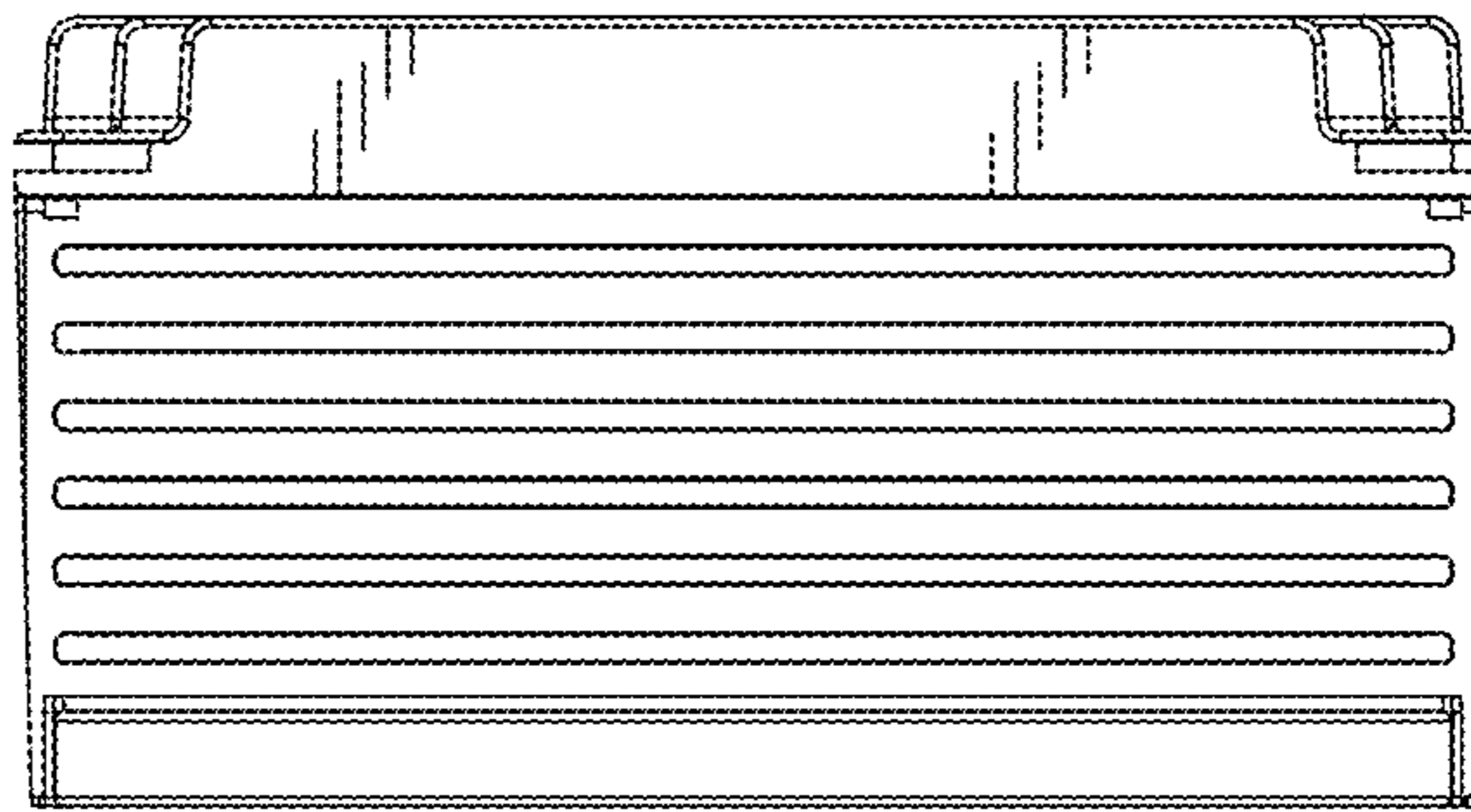
***Fig. 4***



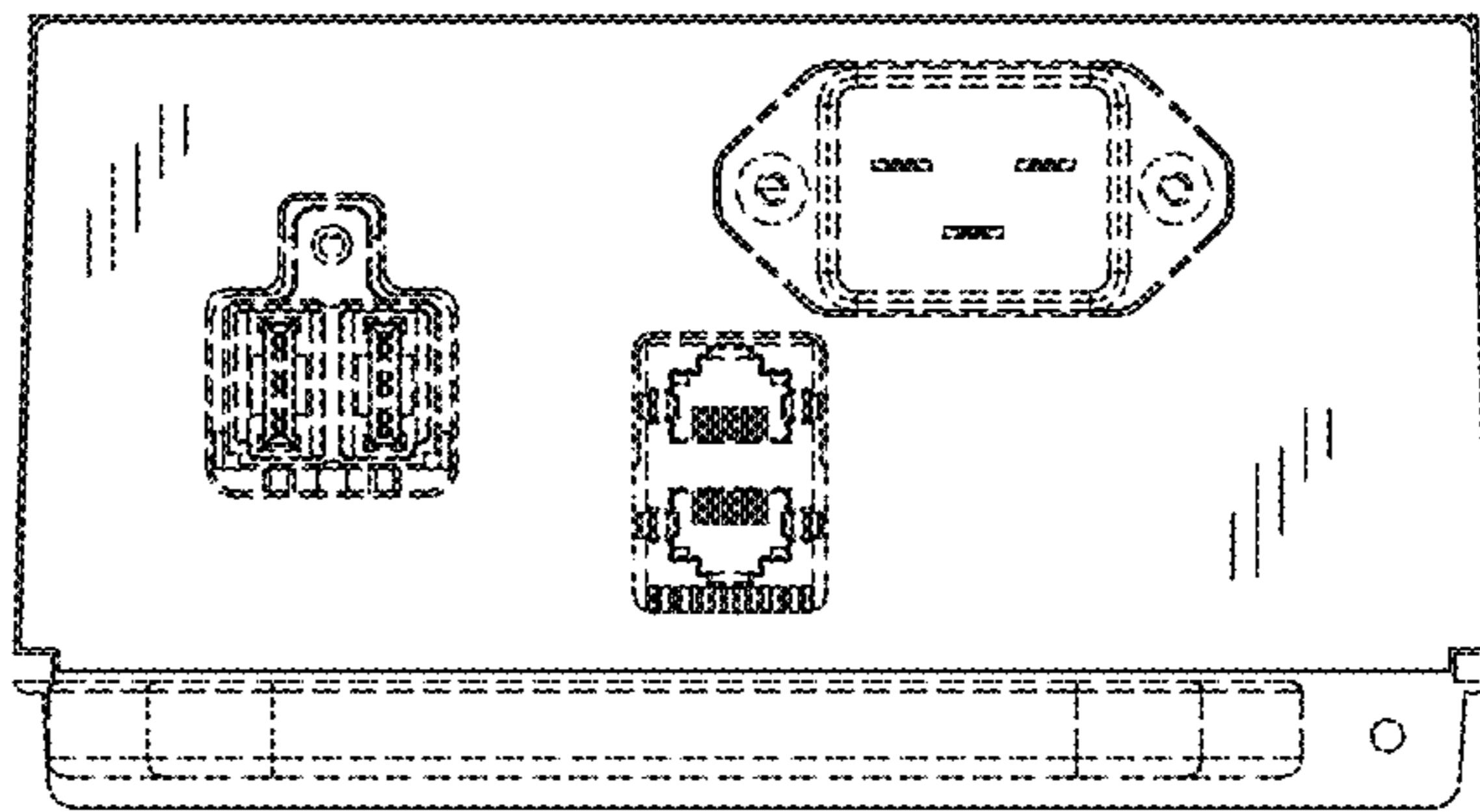
**Fig. 5**



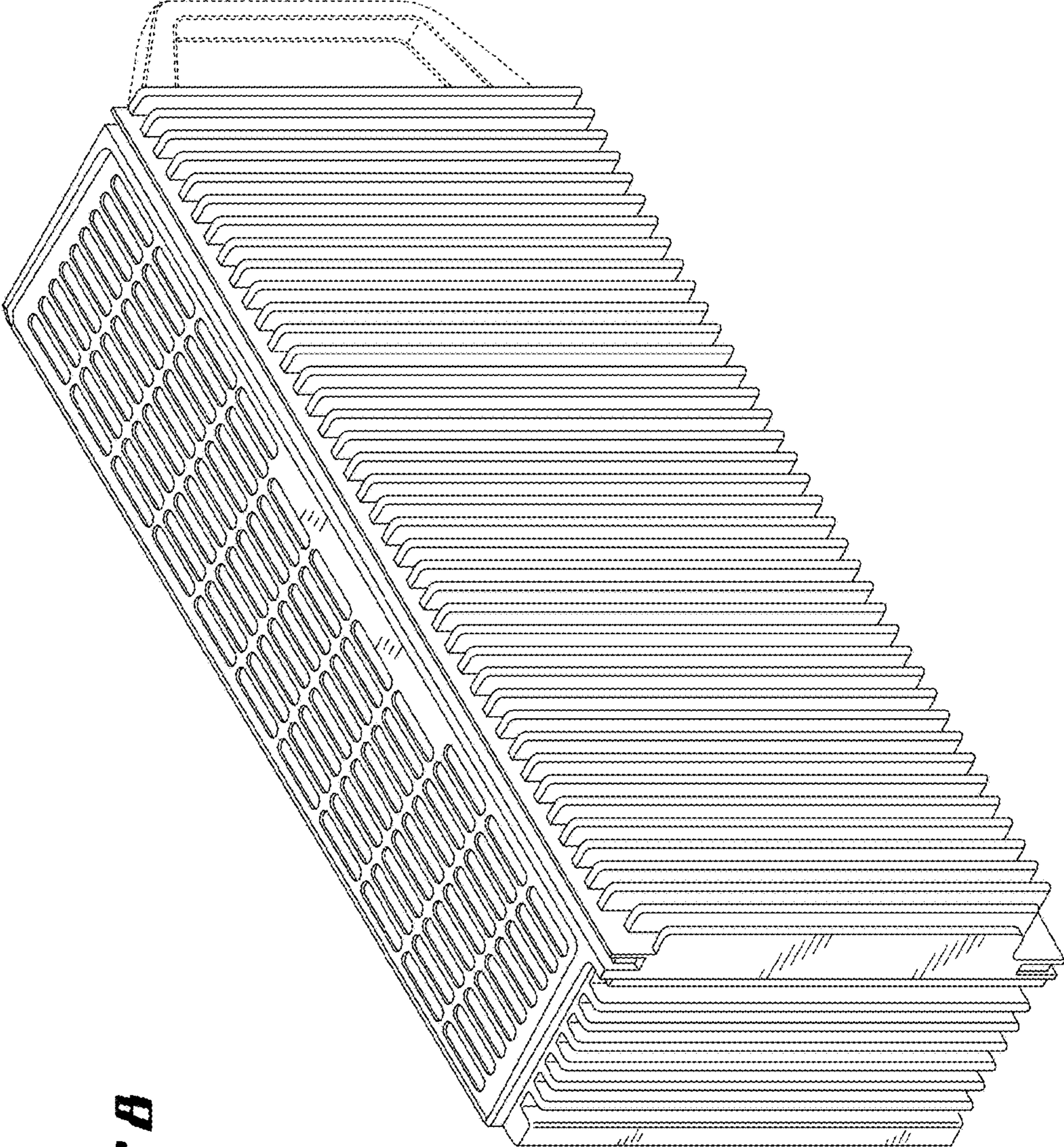
**Fig. 6**



**Fig. 7**







**Fig. 8**