



US00D780690S

(12) **United States Design Patent**  
**Clapper**

(10) **Patent No.:** **US D780,690 S**

(45) **Date of Patent:** **\*\* Mar. 7, 2017**

(54) **MOBILE BATTERY MODULE AND CHARGING DEVICE**

(71) Applicant: **Edward Owen Clapper**, Tempe, AZ (US)

(72) Inventor: **Edward Owen Clapper**, Tempe, AZ (US)

(\*\*) Term: **14 Years**

(21) Appl. No.: **29/511,111**

(22) Filed: **Dec. 6, 2014**

(51) **LOC (10) Cl.** ..... **13-02**

(52) **U.S. Cl.**  
USPC ..... **D13/108**

(58) **Field of Classification Search**  
USPC ..... D13/102-110, 118-122, 133, 144, 184, 320/107-115  
D13/199; D14/356, 432-434;  
CPC ..... Y02E 60/12; H02J 7/0042; H02J 7/0044; H02J 7/0027; H02J 7/0003; H02J 7/025; H02M 1/10; H01M 10/44; H01M 2/1022; H01M 2/1055; Y02T 90/14; Y02T 90/122; Y02T 90/128; Y02T 90/163  
See application file for complete search history.

(56) **References Cited**

U.S. PATENT DOCUMENTS

D413,565 S *	9/1999	Nakayama	.....	D13/103
D427,141 S *	6/2000	Luh	.....	D13/103
D427,142 S *	6/2000	Luh	.....	D13/103
D459,297 S *	6/2002	Searle	.....	D13/103
D577,333 S *	9/2008	Daniel	.....	D13/103
D582,843 S *	12/2008	Linardos	.....	D13/103
D585,375 S *	1/2009	Andre	.....	D13/133

D598,374 S *	8/2009	Sasada	.....	D13/108
D618,618 S *	6/2010	Lee	.....	D13/108
D645,816 S *	9/2011	Sasada	.....	D13/108
D664,092 S *	7/2012	Gea Suarez	.....	D13/103
D674,746 S *	1/2013	Zhang	.....	D13/102
D697,028 S *	1/2014	Workman	.....	D13/110
D708,191 S *	7/2014	An	.....	D13/144
D727,850 S *	4/2015	Easterly, III	.....	D13/144
D735,663 S *	8/2015	Miller	.....	D13/103

\* cited by examiner

*Primary Examiner* — Karen S Acker  
*Assistant Examiner* — Wendy Arminio

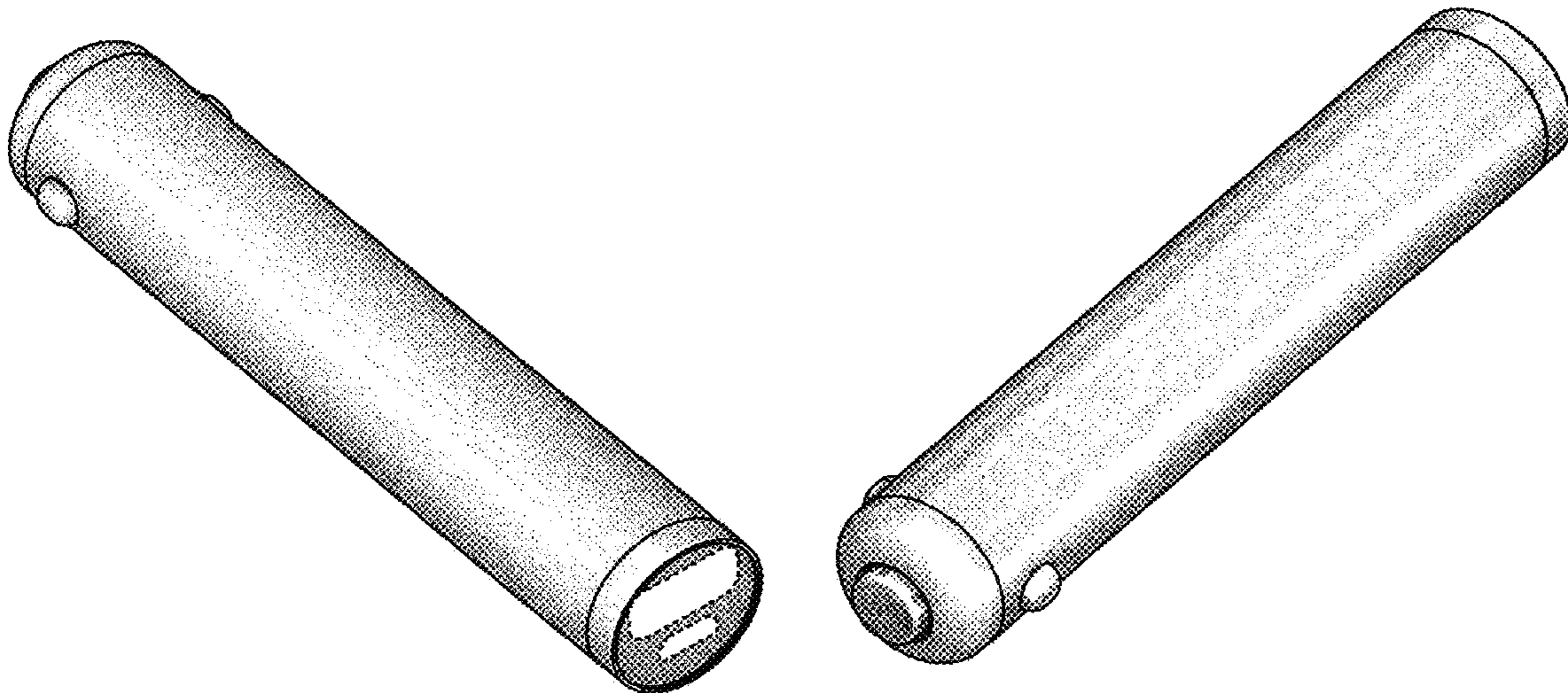
(57) **CLAIM**

I claim the ornamental design for a mobile battery module and charging device, as shown and described.

**DESCRIPTION**

FIG. 1 is a top view of a mobile battery module and charging device showing my new design; the bottom view being a mirror image thereof;  
FIG. 2 is front elevational view thereof, the rear view being a mirror image thereof;  
FIG. 3 is a left side view thereof;  
FIG. 4 is a right side view thereof;  
FIG. 5 is a top, front, and right side perspective view thereof;  
FIG. 6 is a top, front, and left side perspective view thereof;  
FIG. 7 is a top, rear, and left side perspective view thereof;  
and,  
FIG. 8 is a top, rear, and right side perspective view thereof.  
The broken lines and the unshaded regions within the broken lines depict portions of the article that form no part of the claimed design. Stippled shading is meant to show contour and not surface ornamentation.

**1 Claim, 3 Drawing Sheets**



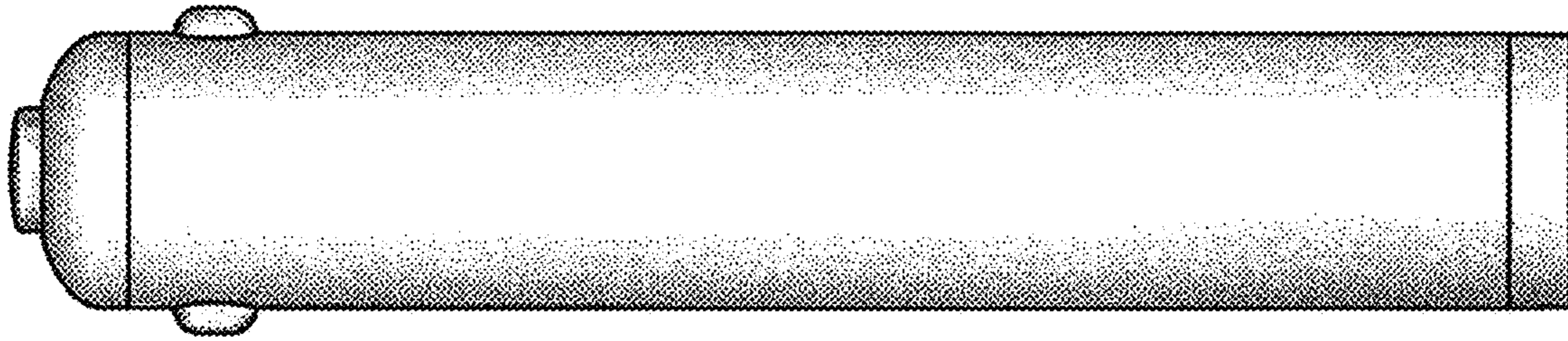


FIG. 1

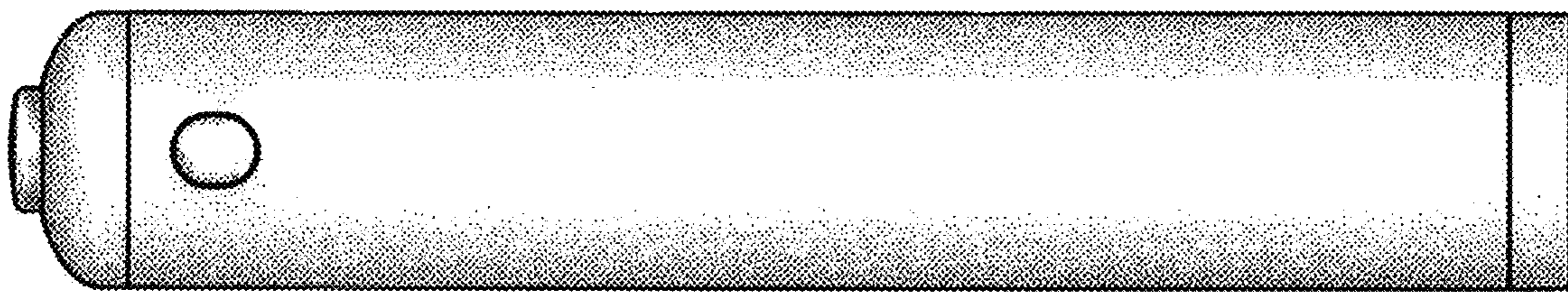


FIG. 2

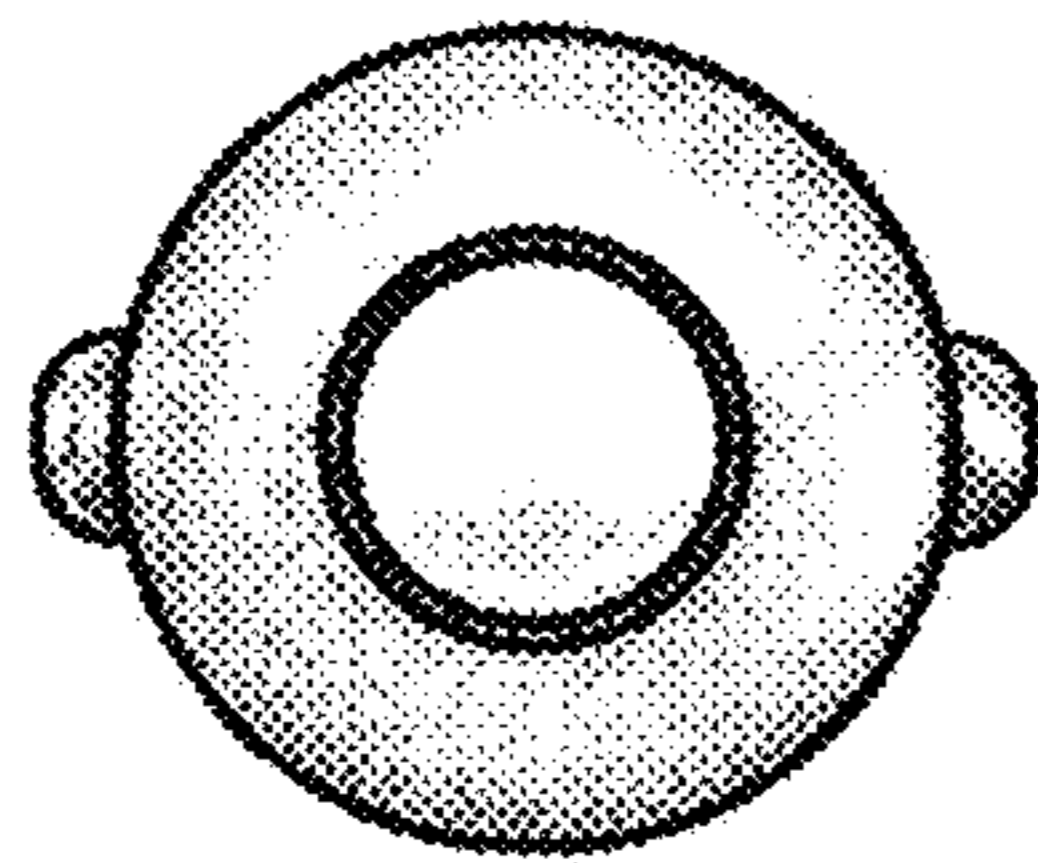


FIG. 3

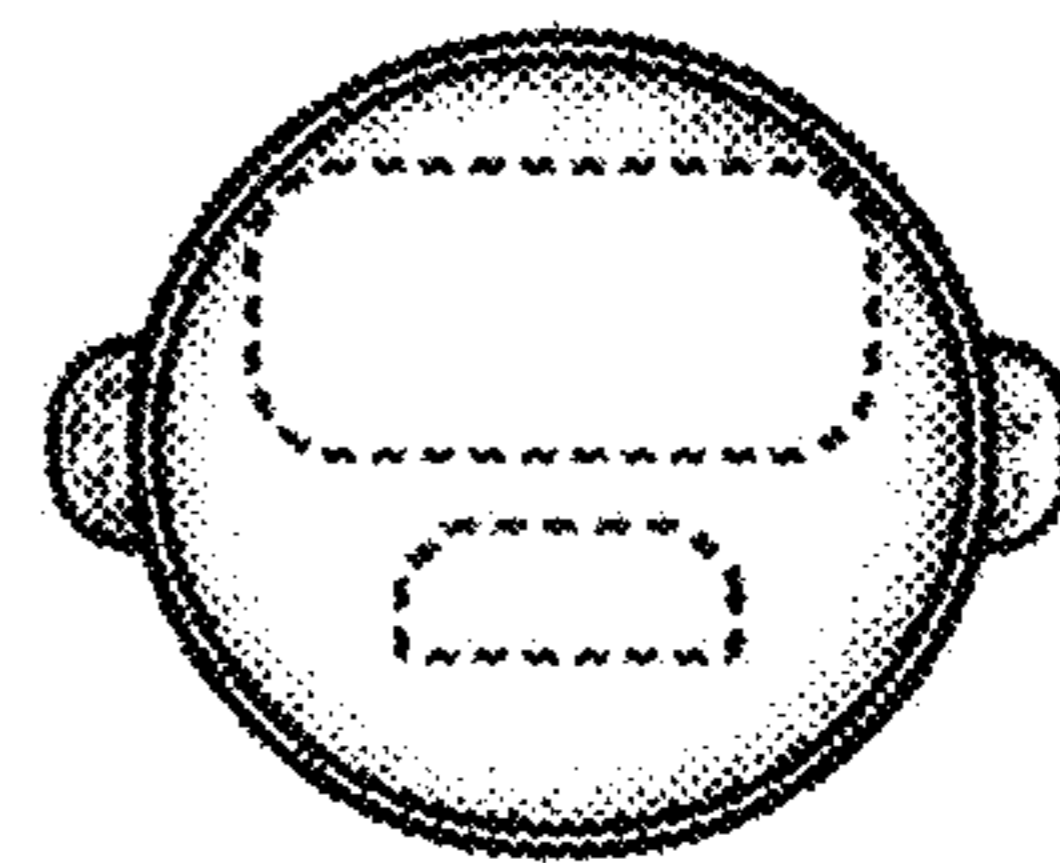


FIG. 4



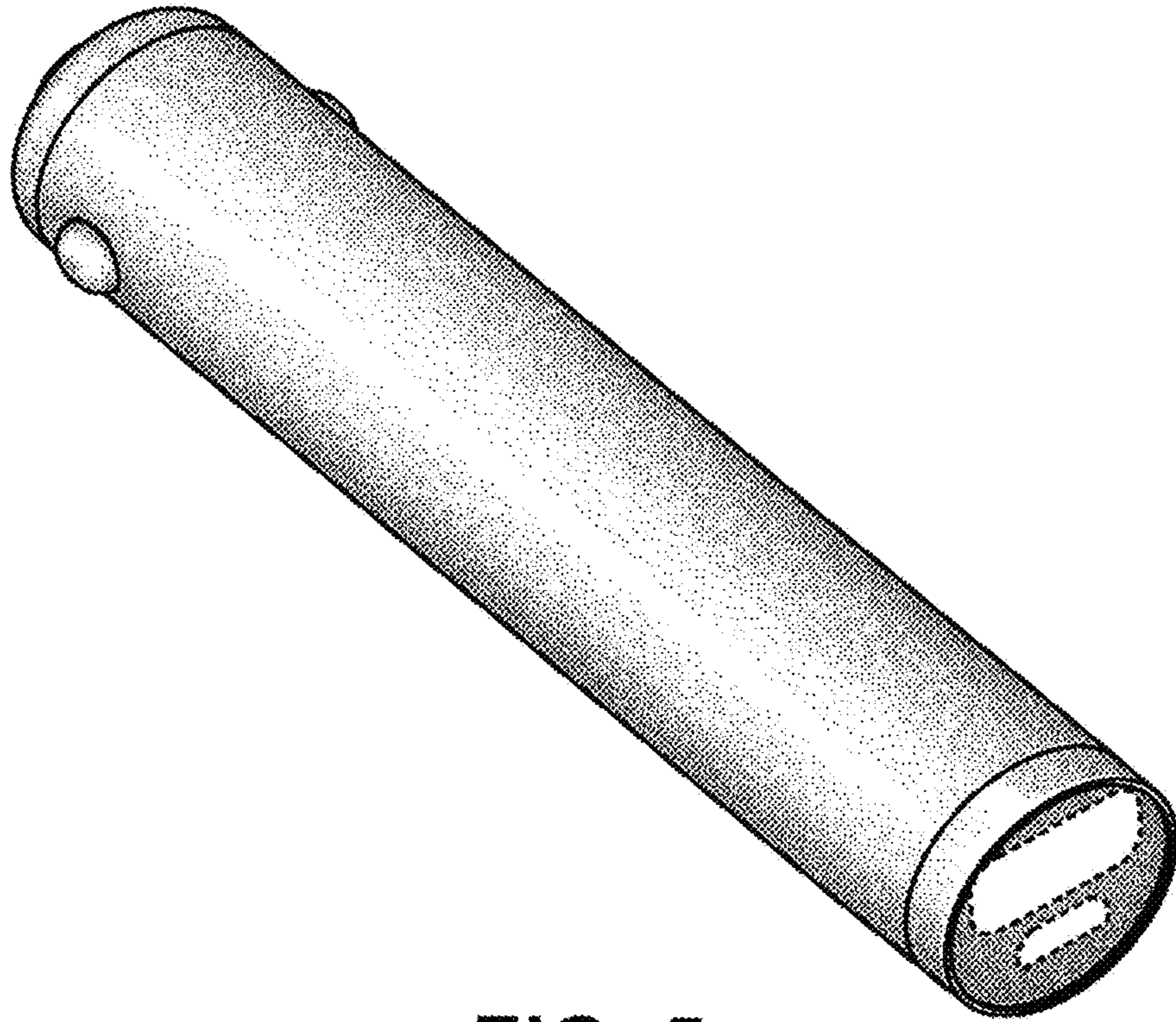


FIG. 5

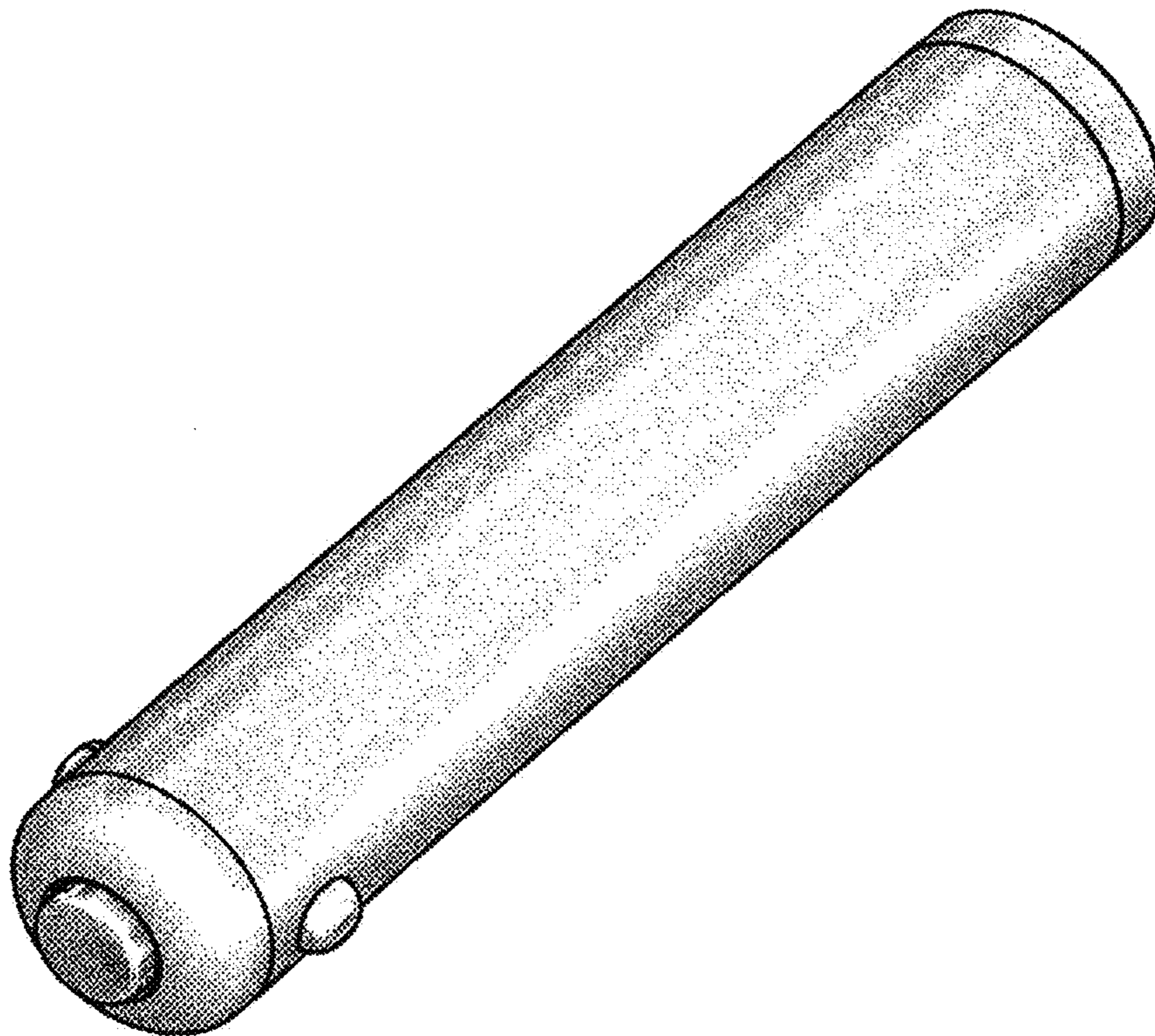


FIG. 6



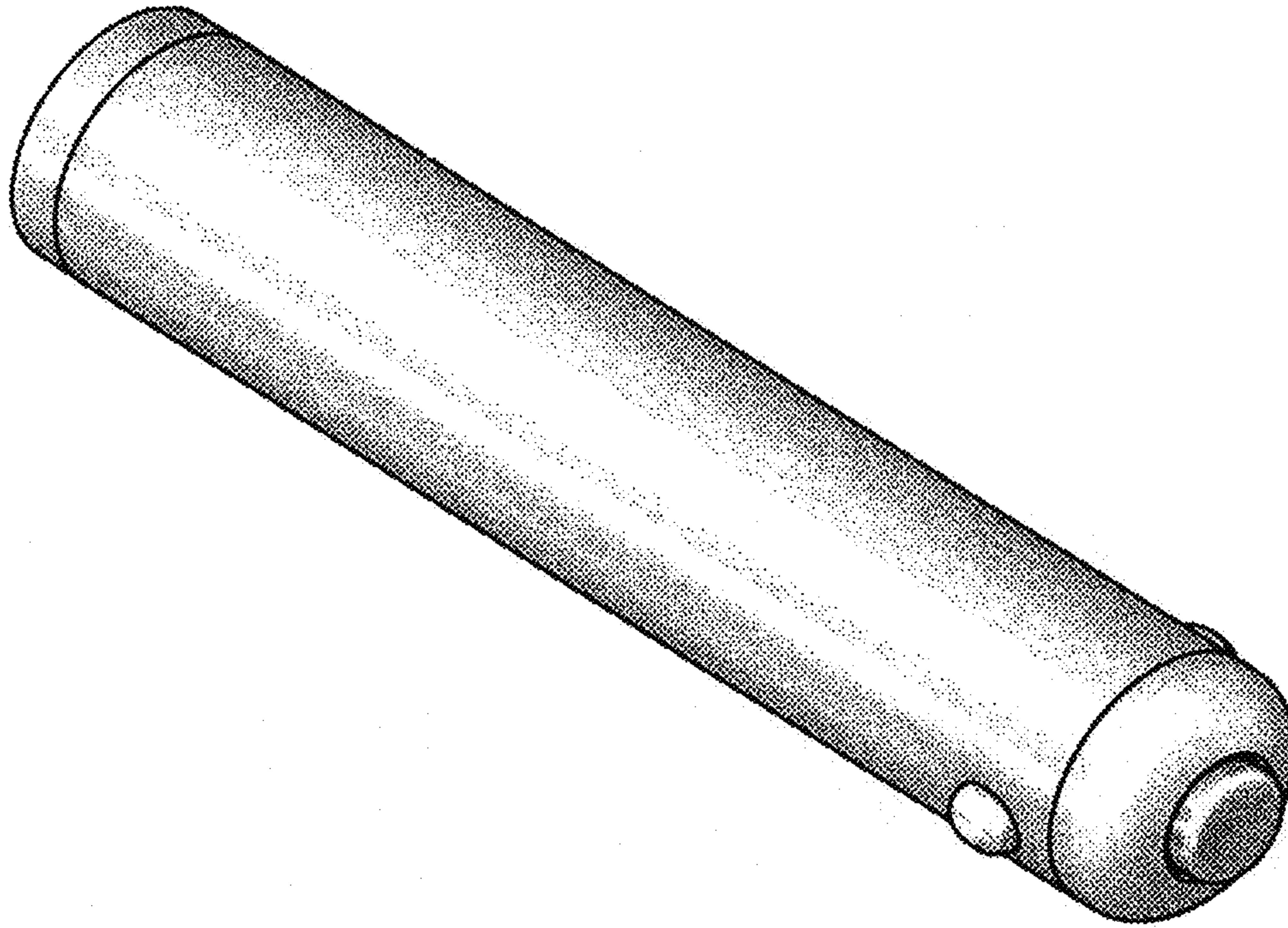


FIG. 7



FIG. 8