



US00D780689S

(12) **United States Design Patent**
Inskeep

(10) **Patent No.:** **US D780,689 S**
(45) **Date of Patent:** **** Mar. 7, 2017**

(54) **JUMP STARTER**

(71) Applicant: **Mathew Inskeep**, Highland Beach, FL
(US)

(72) Inventor: **Mathew Inskeep**, Highland Beach, FL
(US)

(**) Term: **15 Years**

(21) Appl. No.: **29/530,606**

(22) Filed: **Jun. 18, 2015**

(51) **LOC (10) Cl.** **13-02**

(52) **U.S. Cl.**
USPC **D13/107**

(58) **Field of Classification Search**
USPC D13/106-110, 118, 184; D15/9;
D14/251, 253, 432, 434
CPC Y02E 60/12; Y02T 90/14; Y02T 90/122;
Y02T 90/128; Y02T 90/163; Y02T
10/7005; Y02T 10/705; Y02T 10/7088;
H02J 7/025; H02J 7/0042; H02J 7/0044;
H02J 7/0045; H02J 7/0003; H02J 7/0034;
H02J 7/0054; H02J 7/1423; H02J
2001/006; H01F 38/14; H01R 13/6675;
H01M 2/1022; H01M 2/1055; H01M
10/44; H01M 10/46; H01M 10/425; B60L
11/182

See application file for complete search history.

(56) **References Cited**

U.S. PATENT DOCUMENTS

D664,502 S * 7/2012 Inskeep D13/107
D681,550 S * 5/2013 Corbin D13/103

D704,638 S * 5/2014 Inskeep D13/110
D711,318 S * 8/2014 Xinfang D13/103
D712,348 S * 9/2014 Zhang D13/103
D742,822 S * 11/2015 Ju D13/103
D745,455 S * 12/2015 Nook D13/103
D758,960 S * 6/2016 Johansson D13/103
D765,594 S * 9/2016 Li D13/103
D766,826 S * 9/2016 Xu D13/110
D769,188 S * 10/2016 Miller D13/107
2016/0181587 A1* 6/2016 Koebler H01M 2/34
429/7
2016/0359352 A1* 12/2016 Chiu H02J 7/0047

* cited by examiner

Primary Examiner — Rosemary K Tarca
Assistant Examiner — Nathaniel D Buckner

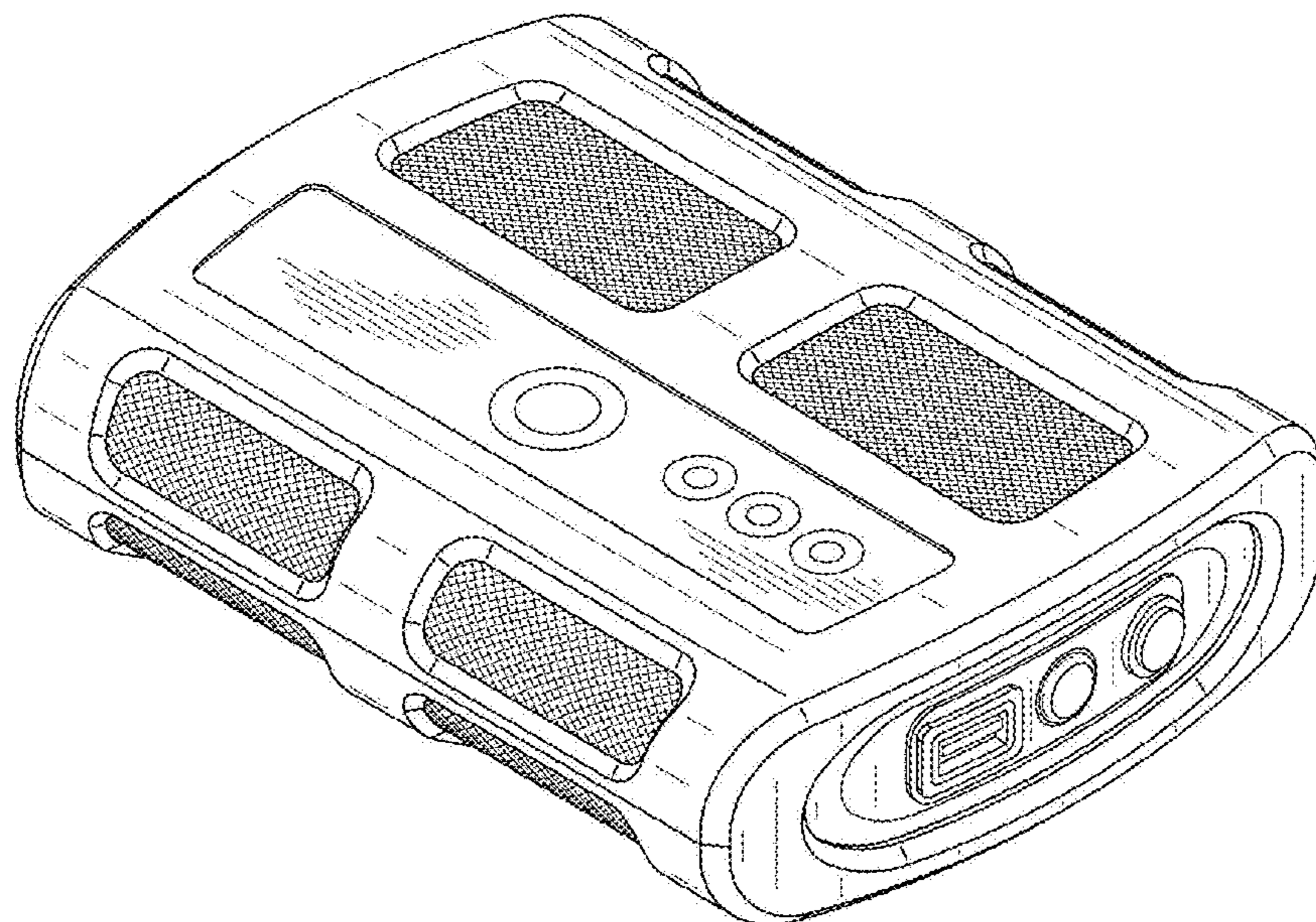
(57) **CLAIM**

The ornamental design for a jump starter, as shown and described.

DESCRIPTION

FIG. 1 is a top perspective view of the jump starter showing my new design.
FIG. 2 is a bottom perspective view thereof.
FIG. 3 is a top view thereof.
FIG. 4 is a bottom view thereof.
FIG. 5 is a front view thereof.
FIG. 6 is a back view thereof.
FIG. 7 is a right side view thereof.
FIG. 8 is a left side view thereof; and,
FIG. 9 is a front perspective view thereof showing an alternate configuration of use.

1 Claim, 7 Drawing Sheets



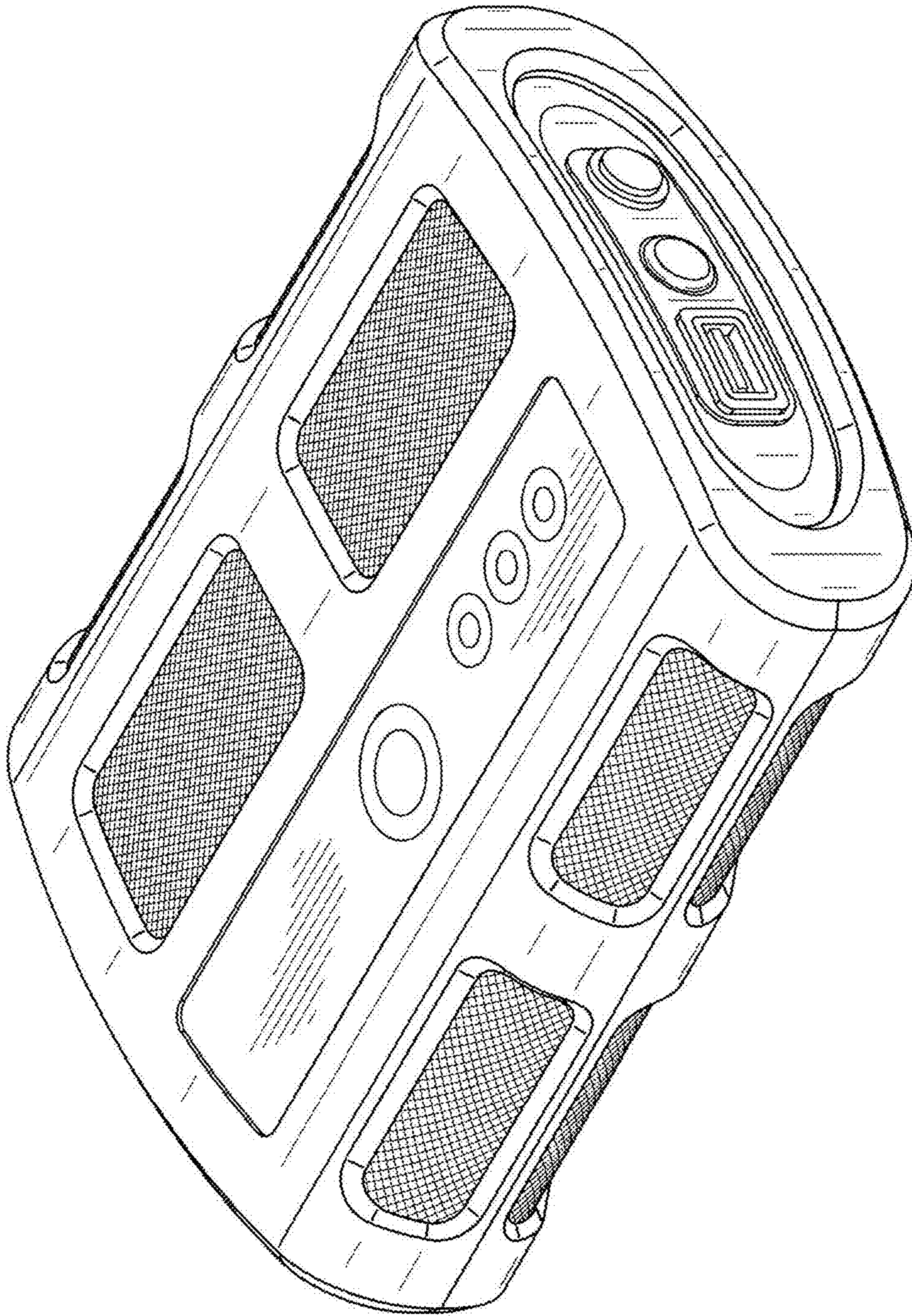


FIG. 1

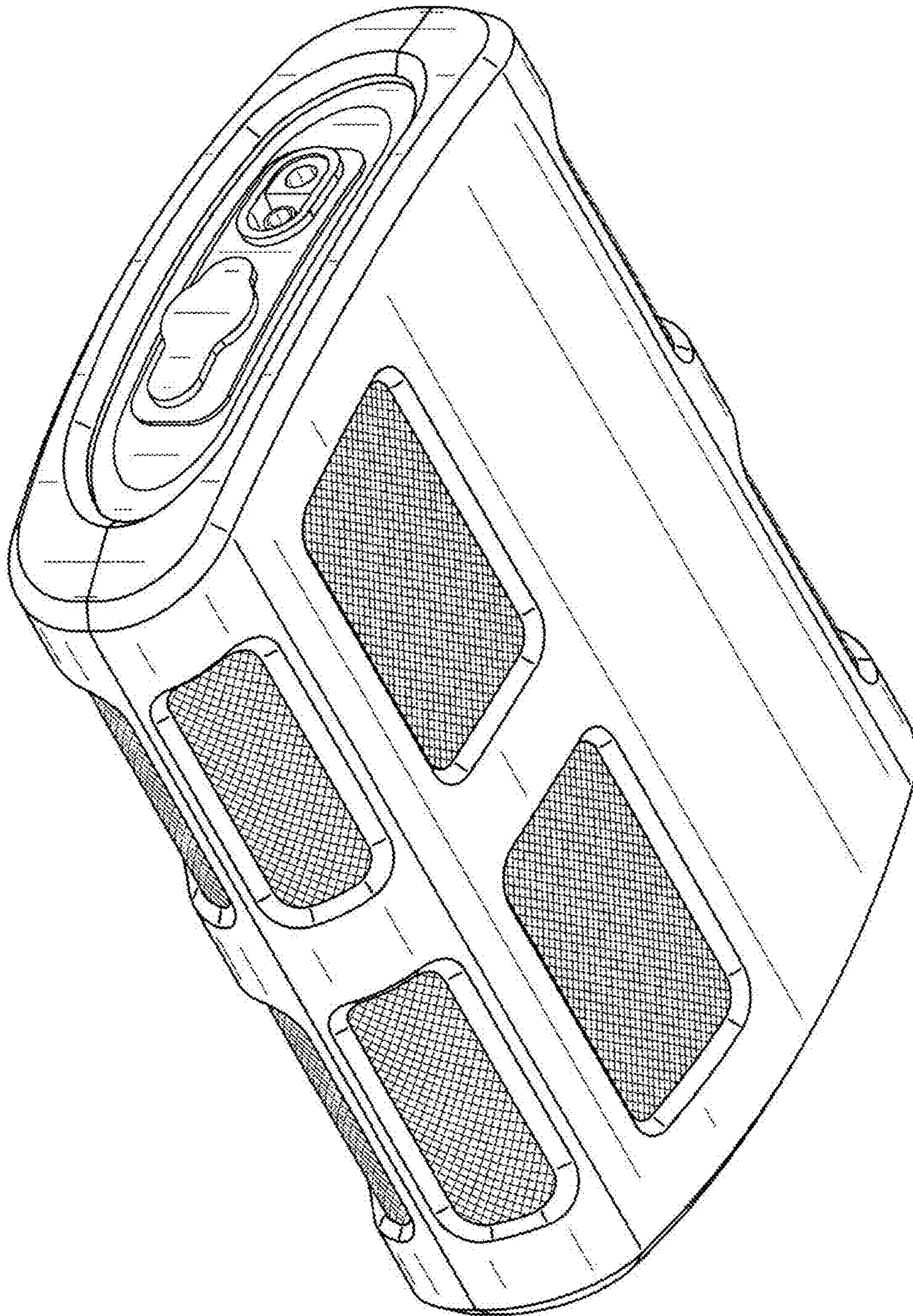


FIG. 2

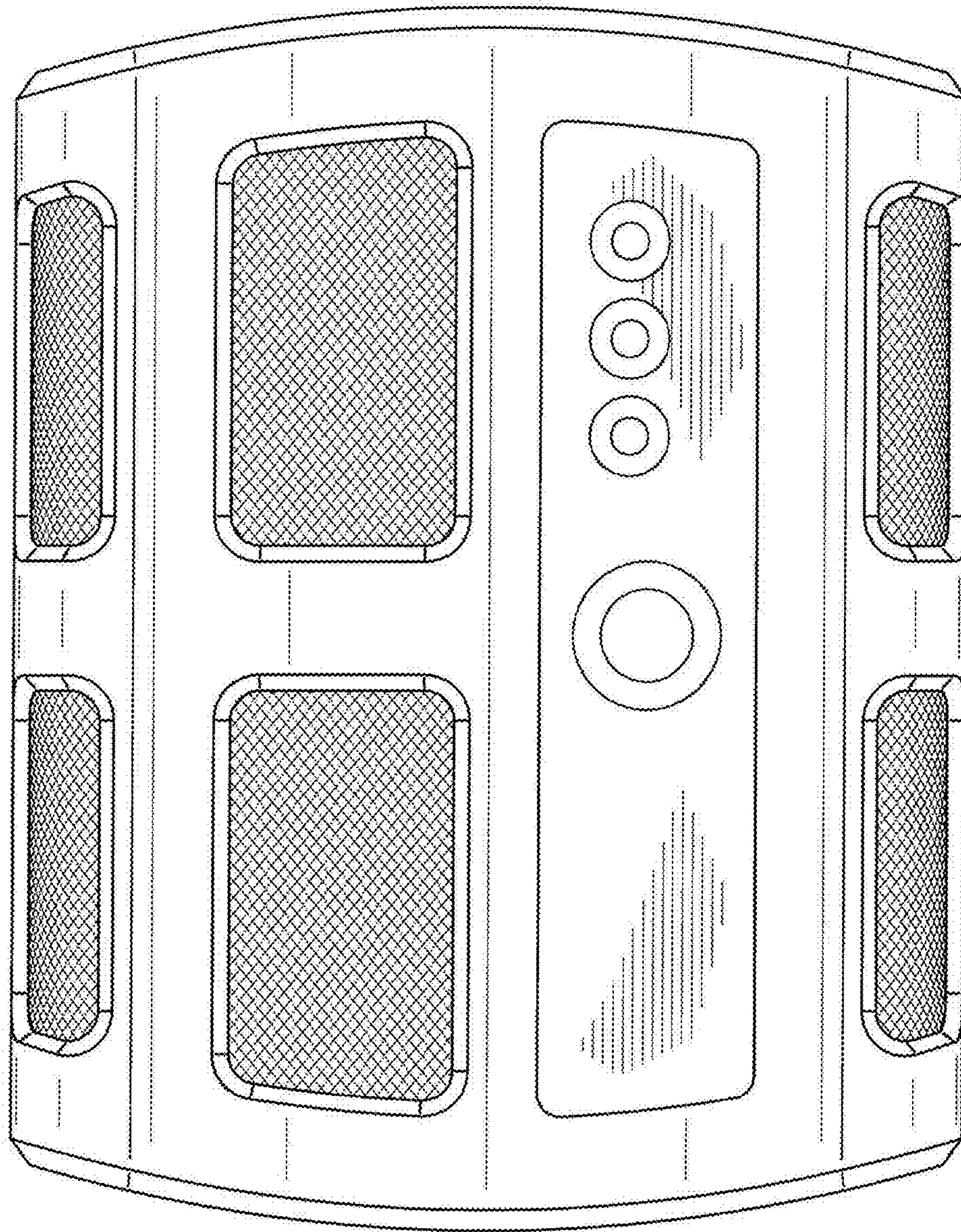


FIG. 3

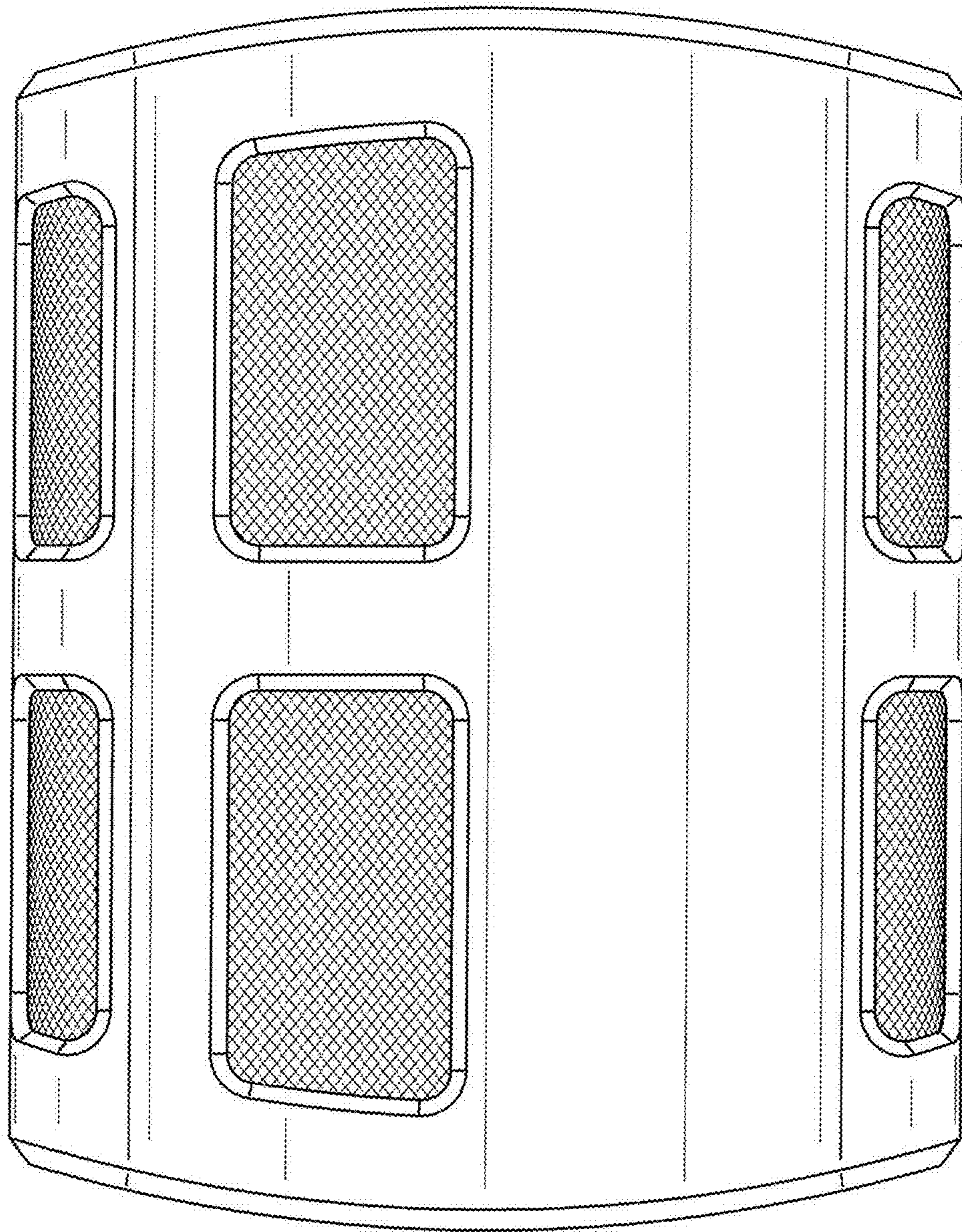


FIG. 4

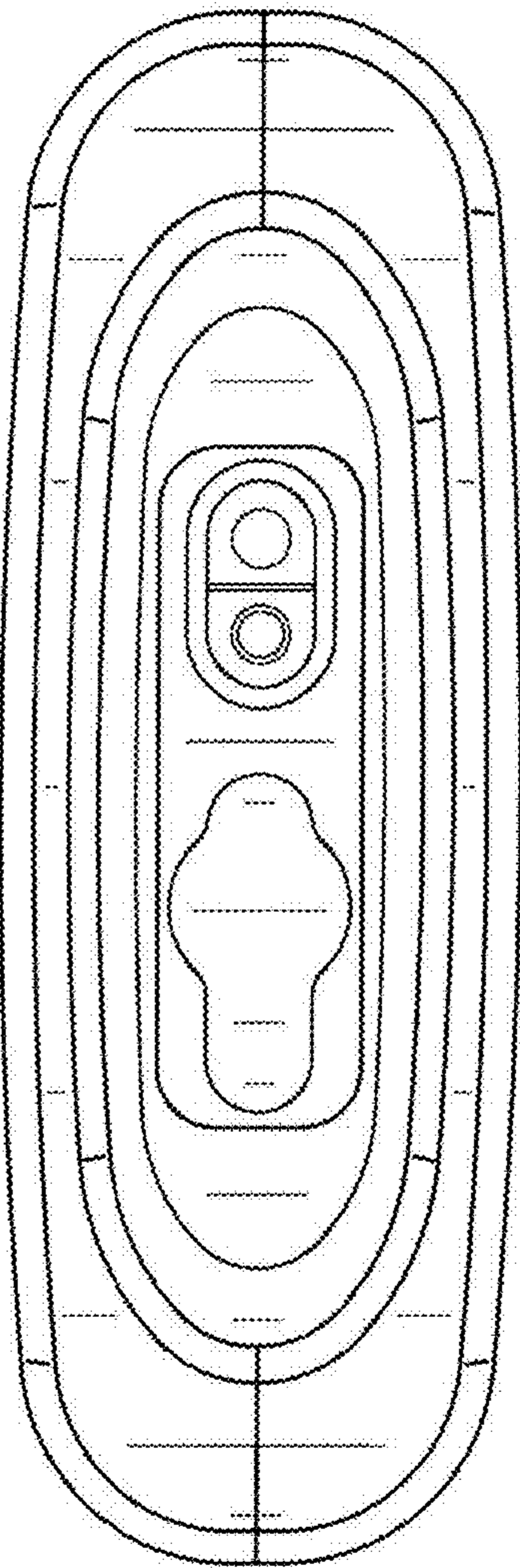


FIG. 5

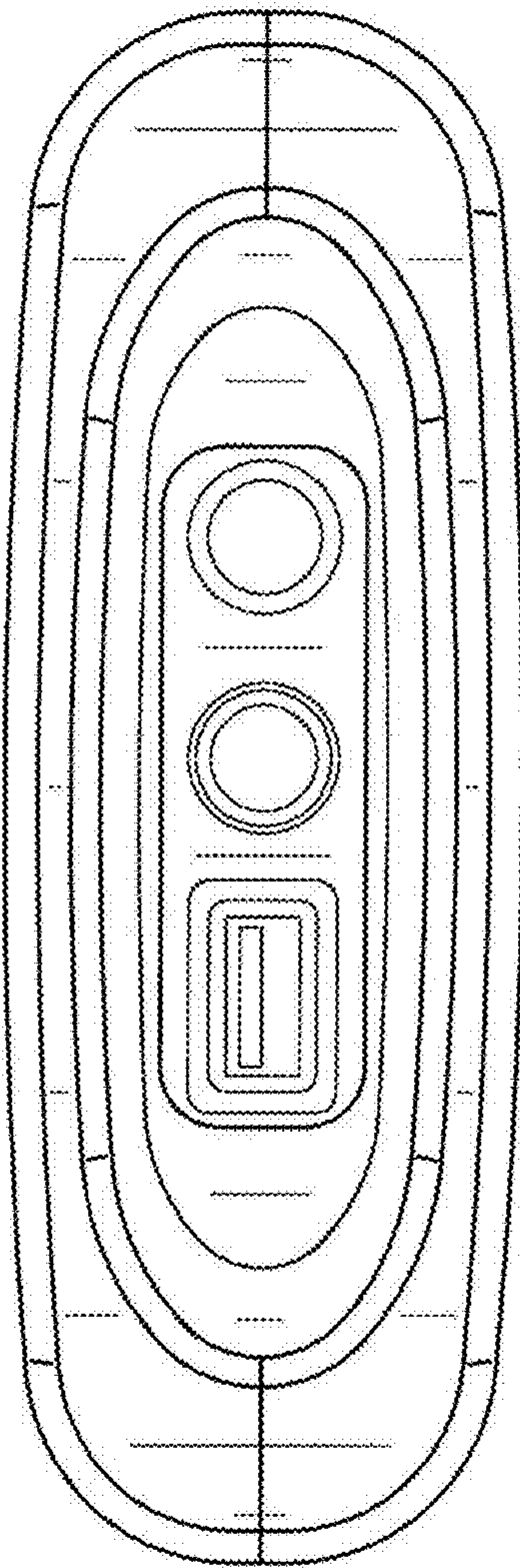


FIG. 6

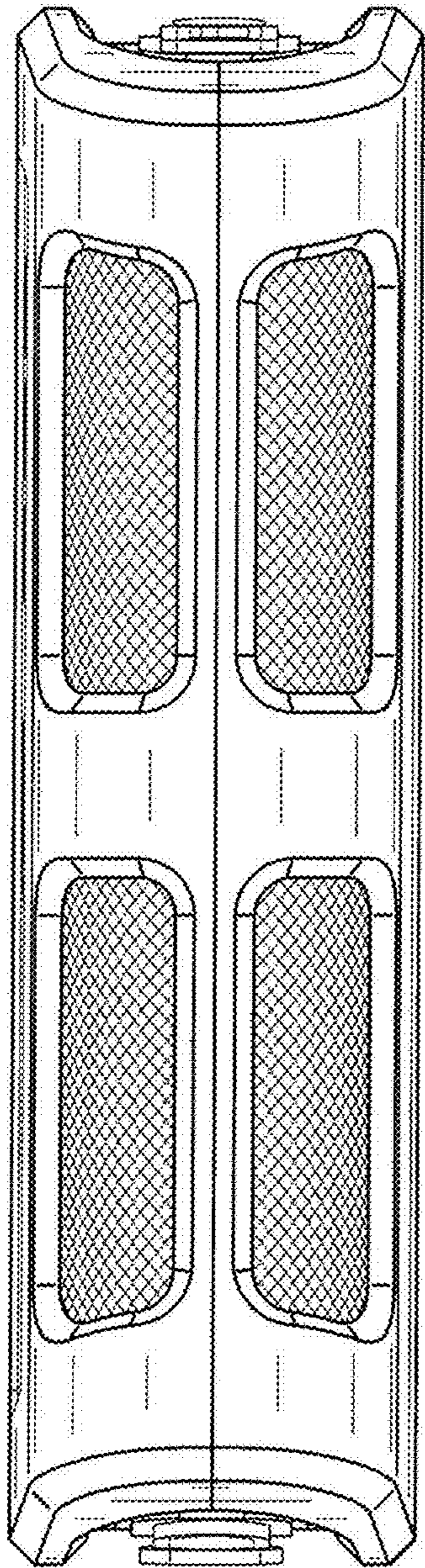


FIG. 7

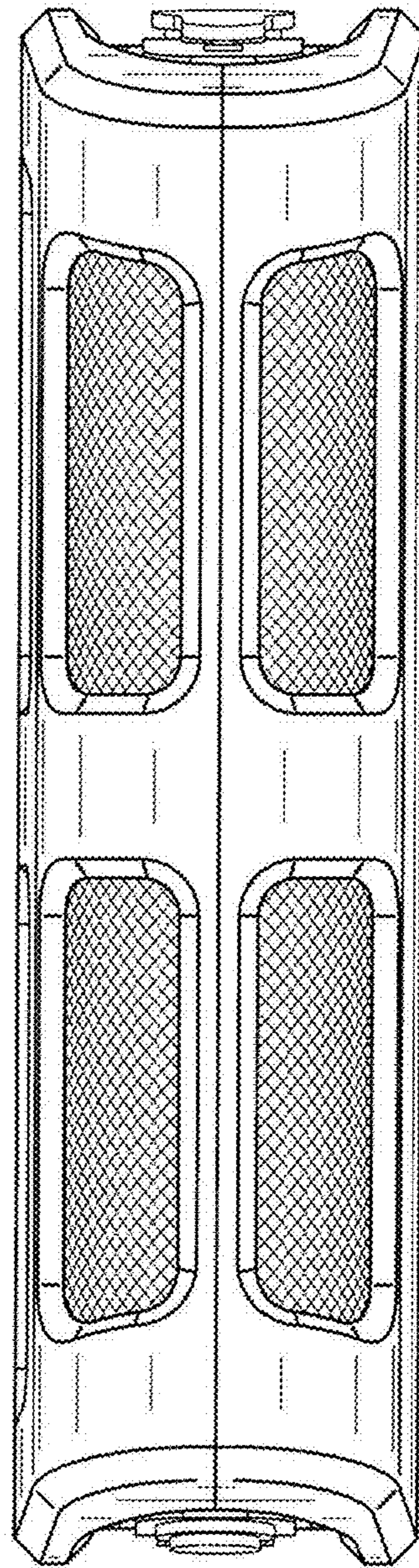


FIG. 8

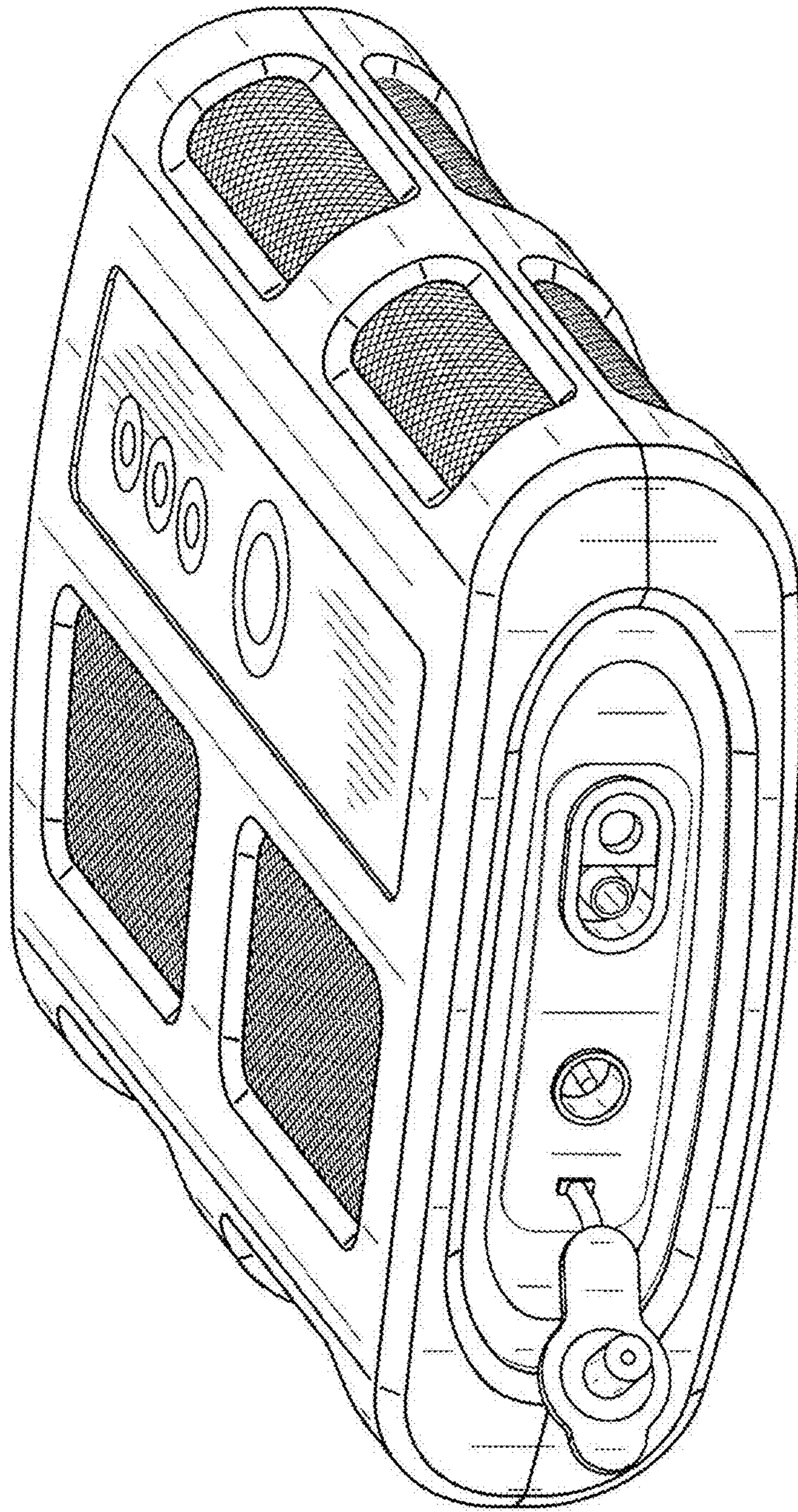


FIG. 9