



US00D780687S

(12) **United States Design Patent**
Taniguchi et al.

(10) **Patent No.:** **US D780,687 S**

(45) **Date of Patent:** **** Mar. 7, 2017**

(54) **BATTERY**

(71) Applicant: **Hitachi Koki Co., Ltd.**, Minato-Ku,
Tokyo (JP)

(72) Inventors: **Takeshi Taniguchi**, Hitachinaka (JP);
Rui Akiba, Hitachinaka (JP); **Toshiyuki Suzuki**, Hitachinaka (JP); **Shota Kanno**, Hitachinaka (JP)

(73) Assignee: **Hitachi Koki Co., Ltd.**, Minato-Ku,
Tokyo (JP)

(**) Term: **15 Years**

(21) Appl. No.: **29/539,923**

(22) Filed: **Sep. 18, 2015**

(30) **Foreign Application Priority Data**

Mar. 31, 2015 (JP) 2015-007131

(51) **LOC (10) Cl.** **13-02**

(52) **U.S. Cl.**
USPC **D13/103**

(58) **Field of Classification Search**

USPC D13/102-104, 110, 118-121, 184, 199;
429/96-100, 163, 176
CPC Y02E 60/12; Y02E 60/122; Y02E 60/124;
Y02E 60/50; H01M 2/02; H01M 2/022;
H01M 2/0202; H01M 2/0207; H01M
2/0212; H01M 2/1061; H01M 2/1022;
H01M 2/1055; H01M 2/1066; H01M
2/105; H01M 2/204; H01M 10/4257;
H01M 10/0436; H01M 10/48

See application file for complete search history.

(56) **References Cited**

U.S. PATENT DOCUMENTS

D550,152 S * 9/2007 Okuda D13/103
D555,086 S * 11/2007 Zhang D13/103

D562,227 S * 2/2008 Yamada D13/103
D562,228 S * 2/2008 Okada D13/103
D568,239 S * 5/2008 Okada D13/103
D589,439 S * 3/2009 Van Wambeke D13/103
D589,441 S * 3/2009 Van Wambeke D13/103
D606,935 S * 12/2009 Murayama D13/103
D607,814 S * 1/2010 Tsuzuki D13/103
D610,082 S * 2/2010 Sweeney D13/103
D622,661 S * 8/2010 Yamada D13/103
D639,730 S * 6/2011 Kawase D13/103
D640,628 S * 6/2011 Lopano D13/103
D640,975 S * 7/2011 Okuda D13/103
D643,809 S * 8/2011 Okuda D13/103
D657,307 S * 4/2012 Zhao D13/103
D658,578 S * 5/2012 Davis D13/103
D682,192 S * 5/2013 Corbin D13/103
D682,193 S * 5/2013 Corbin D13/103
D682,194 S * 5/2013 Jiang D13/103
D684,528 S * 6/2013 Murray D13/103

(Continued)

Primary Examiner — Rosemary K Tarcza

(74) *Attorney, Agent, or Firm* — Banner & Witcoff, Ltd.

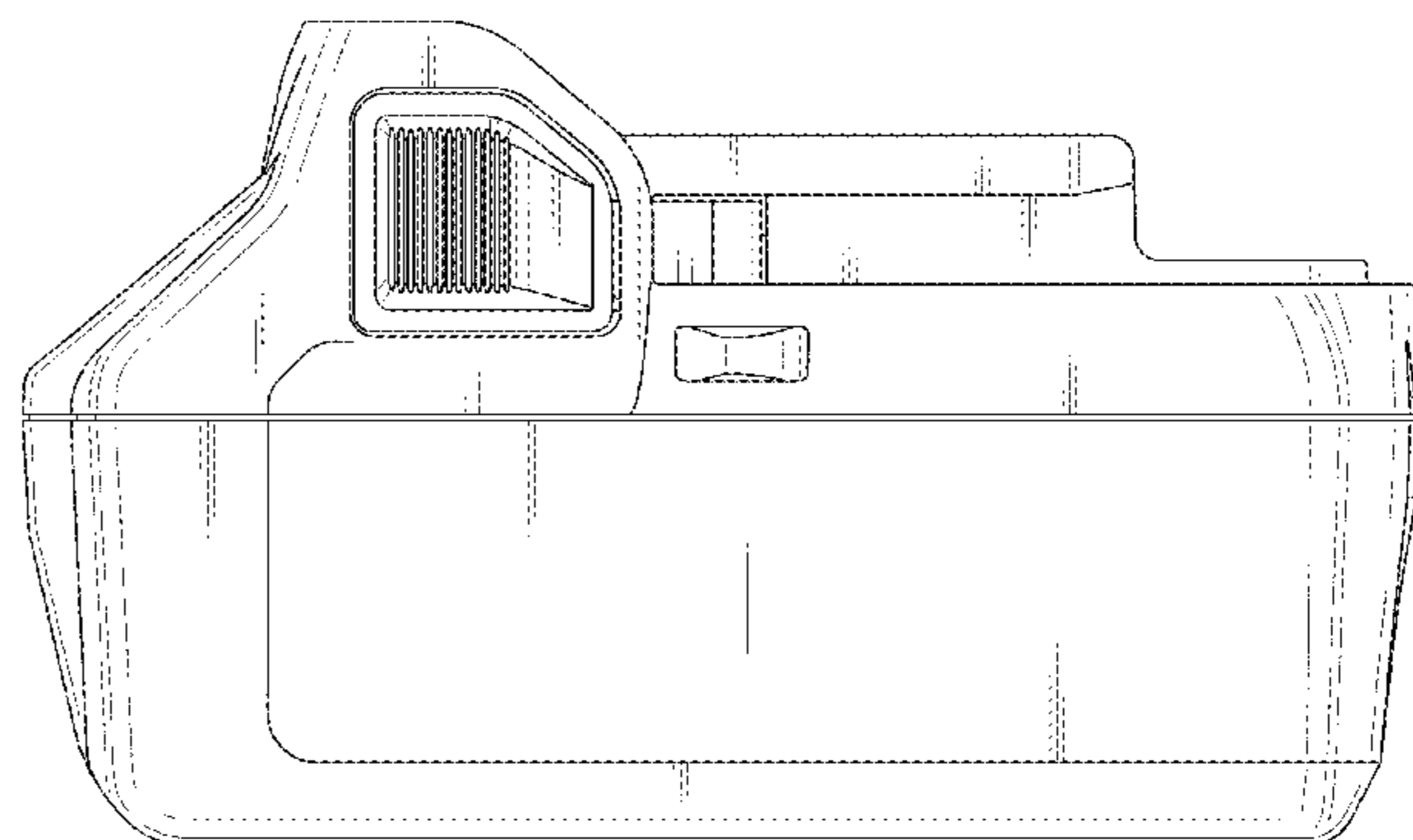
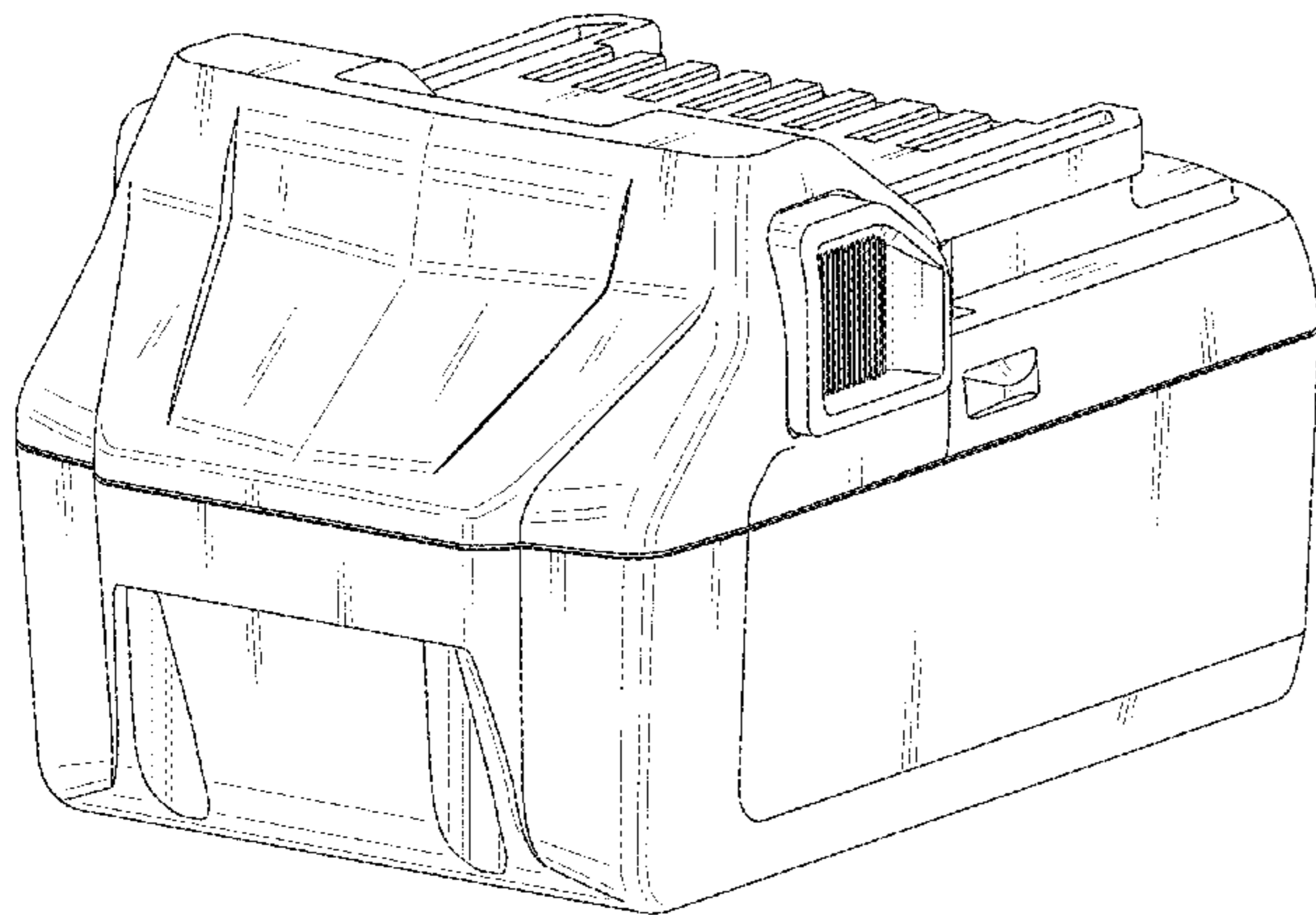
(57) **CLAIM**

The ornamental design for a battery, as shown and described.

DESCRIPTION

FIG. 1 is a front, left, upper perspective view of a battery showing our new design;
FIG. 2 is a rear, right, lower perspective view thereof;
FIG. 3 is a front view thereof;
FIG. 4 is a rear side view thereof;
FIG. 5 is a left side view thereof;
FIG. 6 is a right side view thereof;
FIG. 7 is a top plan view thereof; and,
FIG. 8 is a bottom side view thereof.

1 Claim, 8 Drawing Sheets



(56)

References Cited

U.S. PATENT DOCUMENTS

D685,730 S	*	7/2013	Hamm	D13/103
D699,670 S	*	2/2014	Cooper	D13/103
D712,826 S	*	9/2014	Marino	D13/103

* cited by examiner

Fig. 1

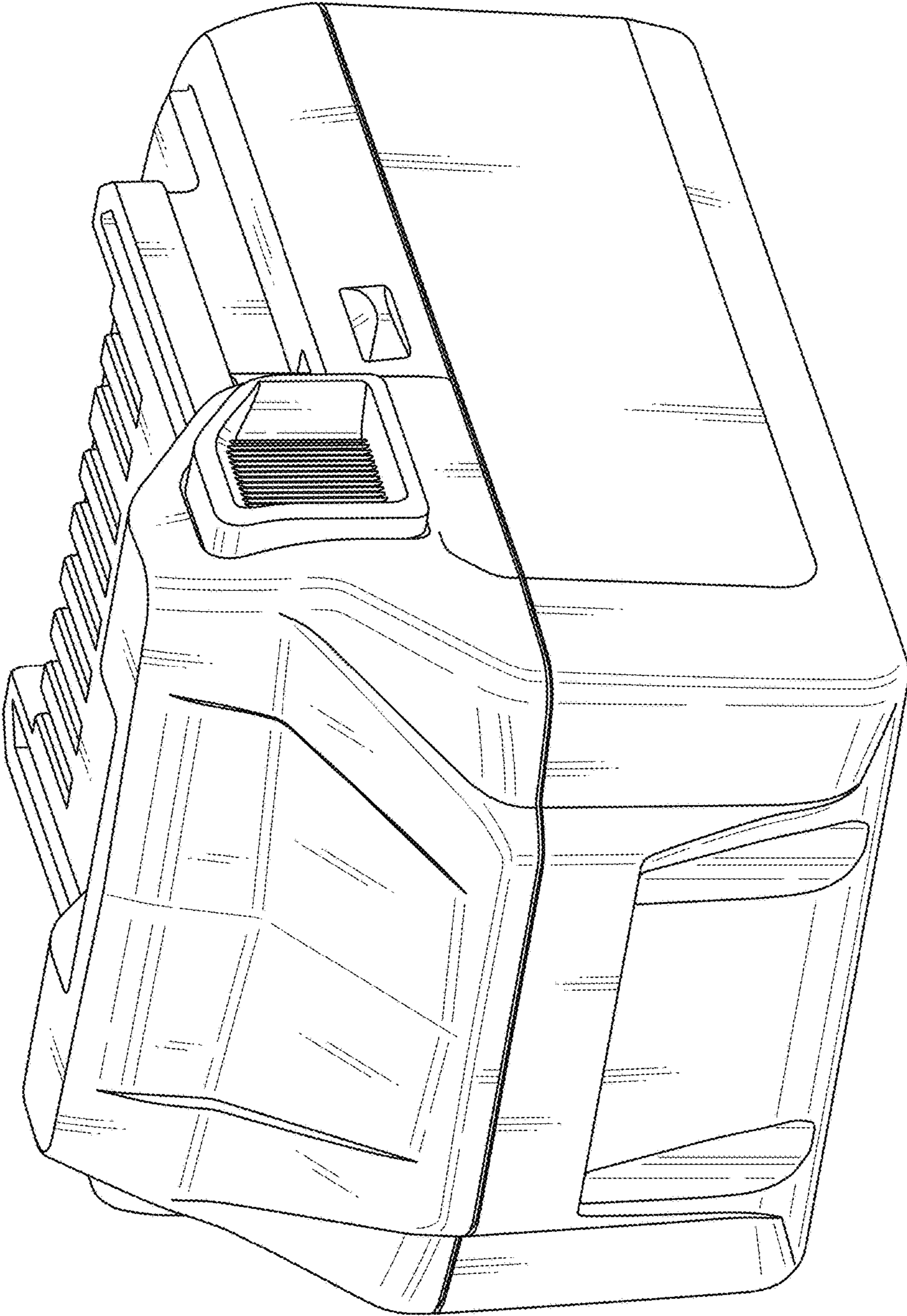


Fig. 2

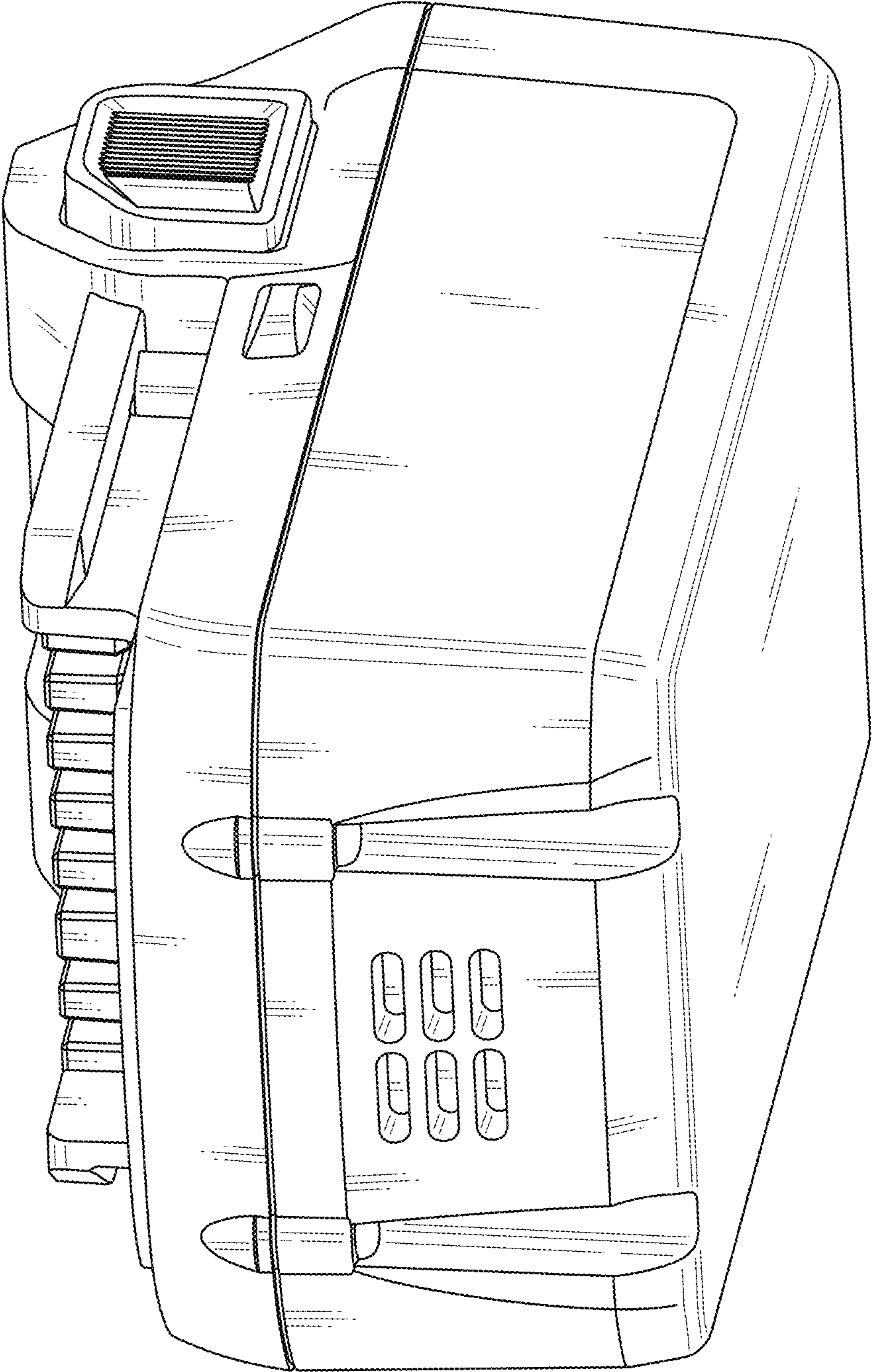


Fig. 3

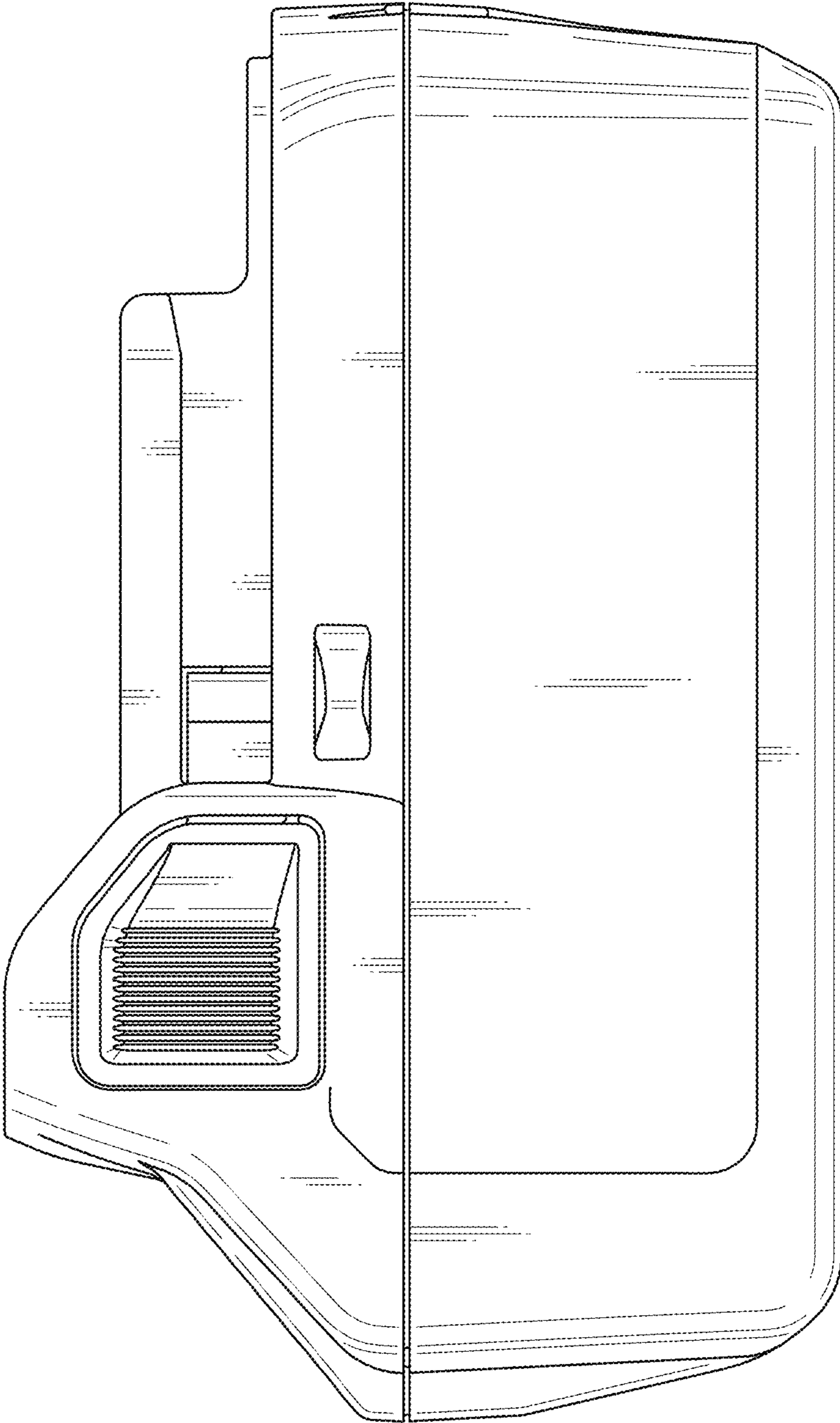


Fig. 4

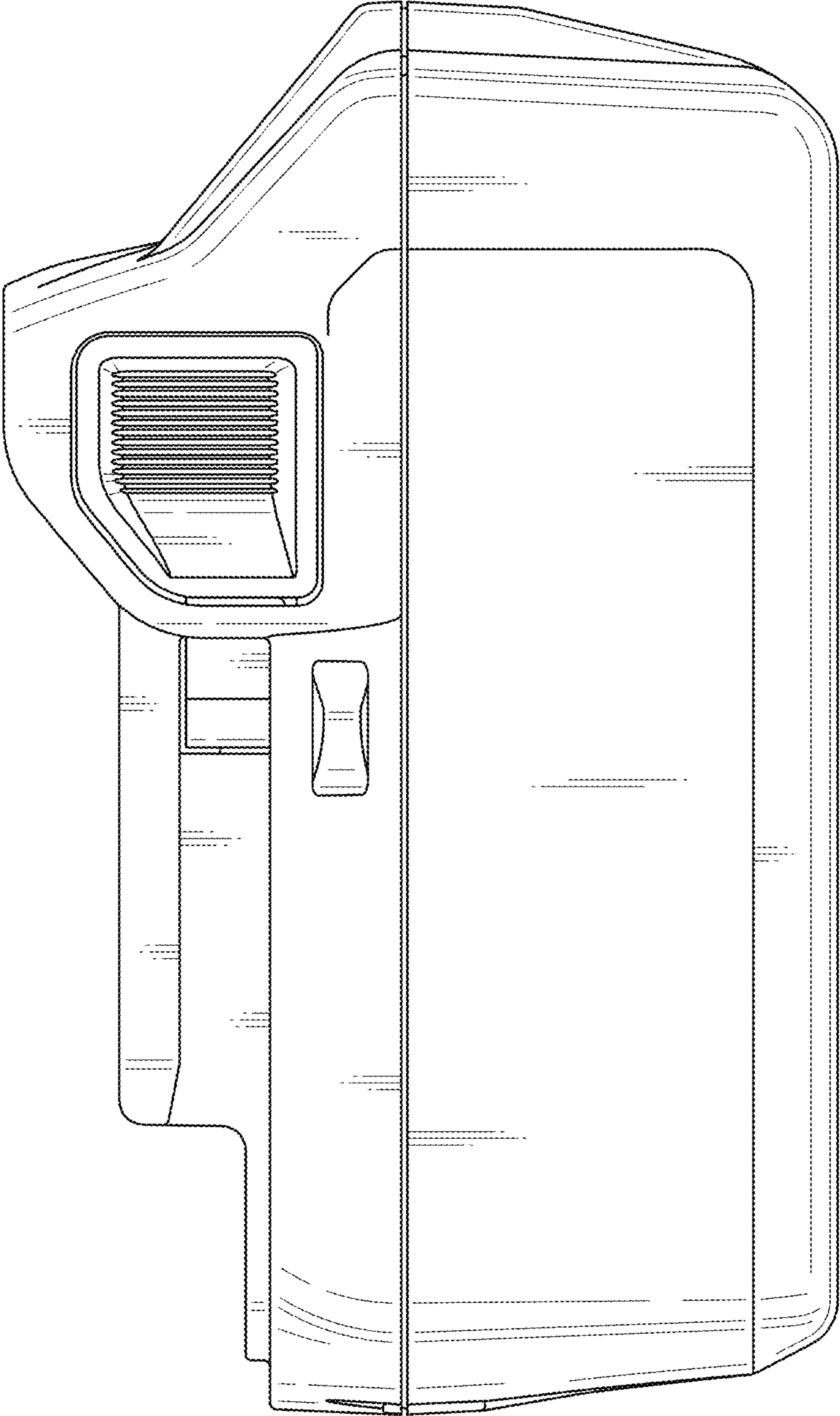


Fig. 5

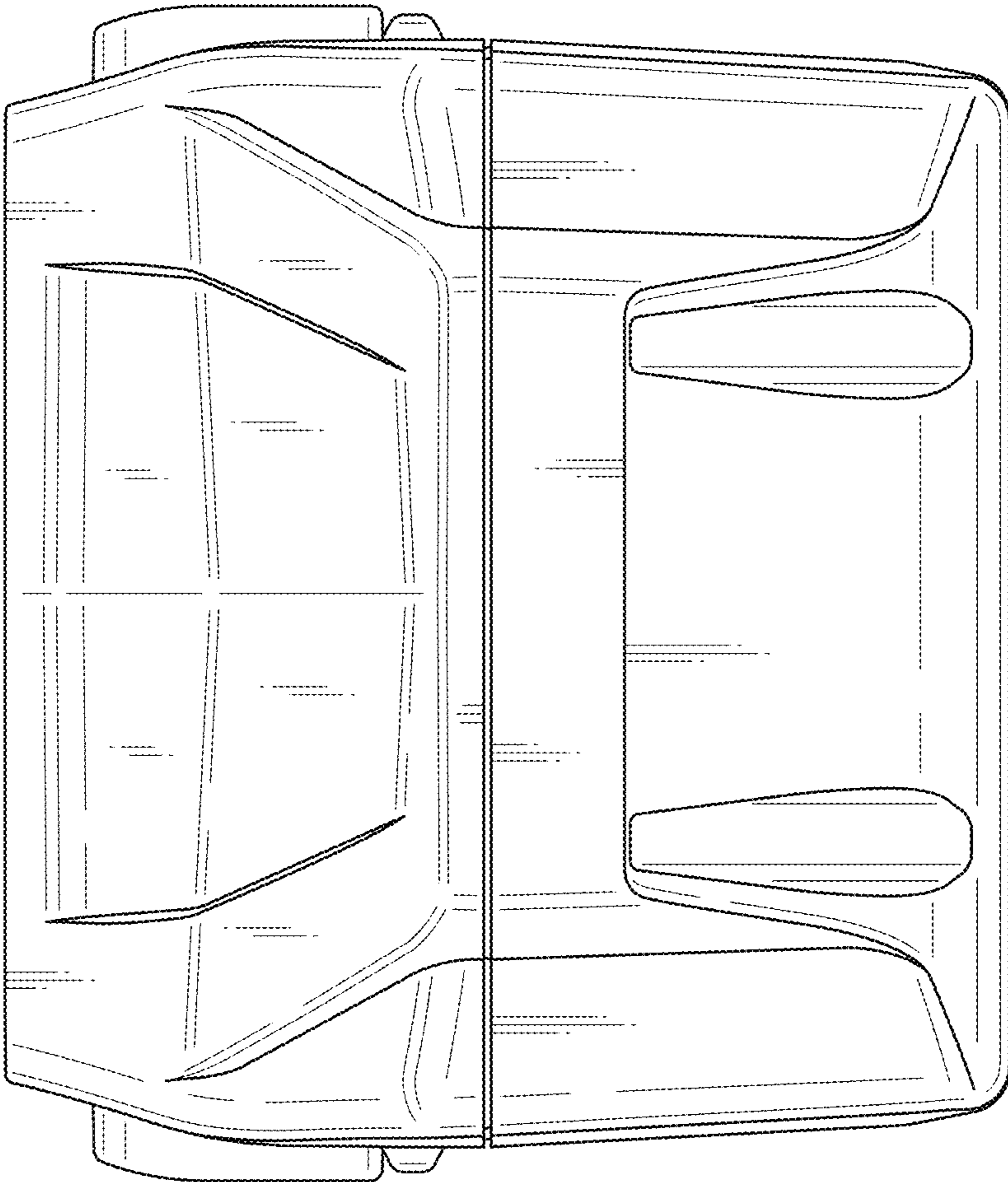


Fig. 6

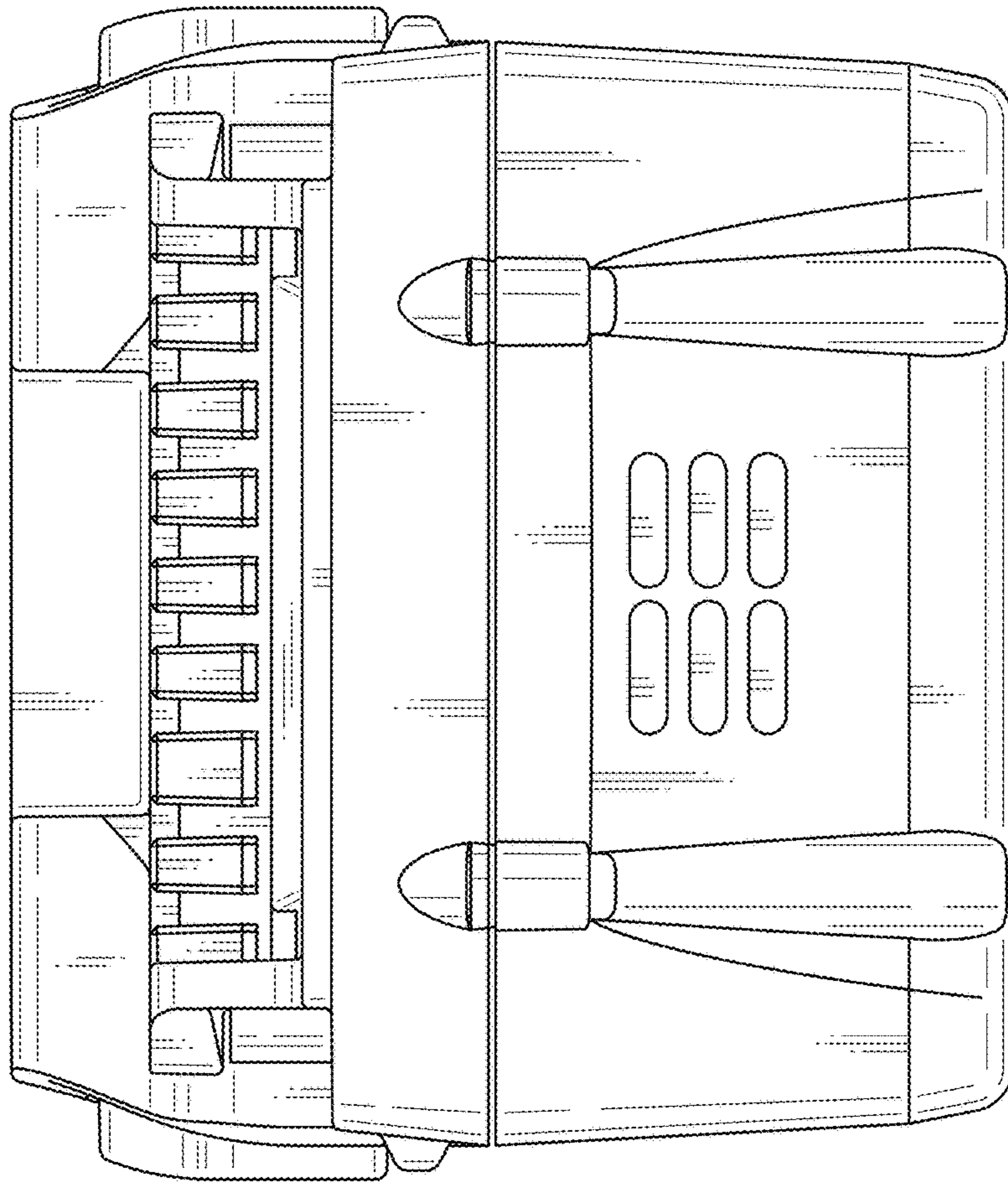


Fig. 7

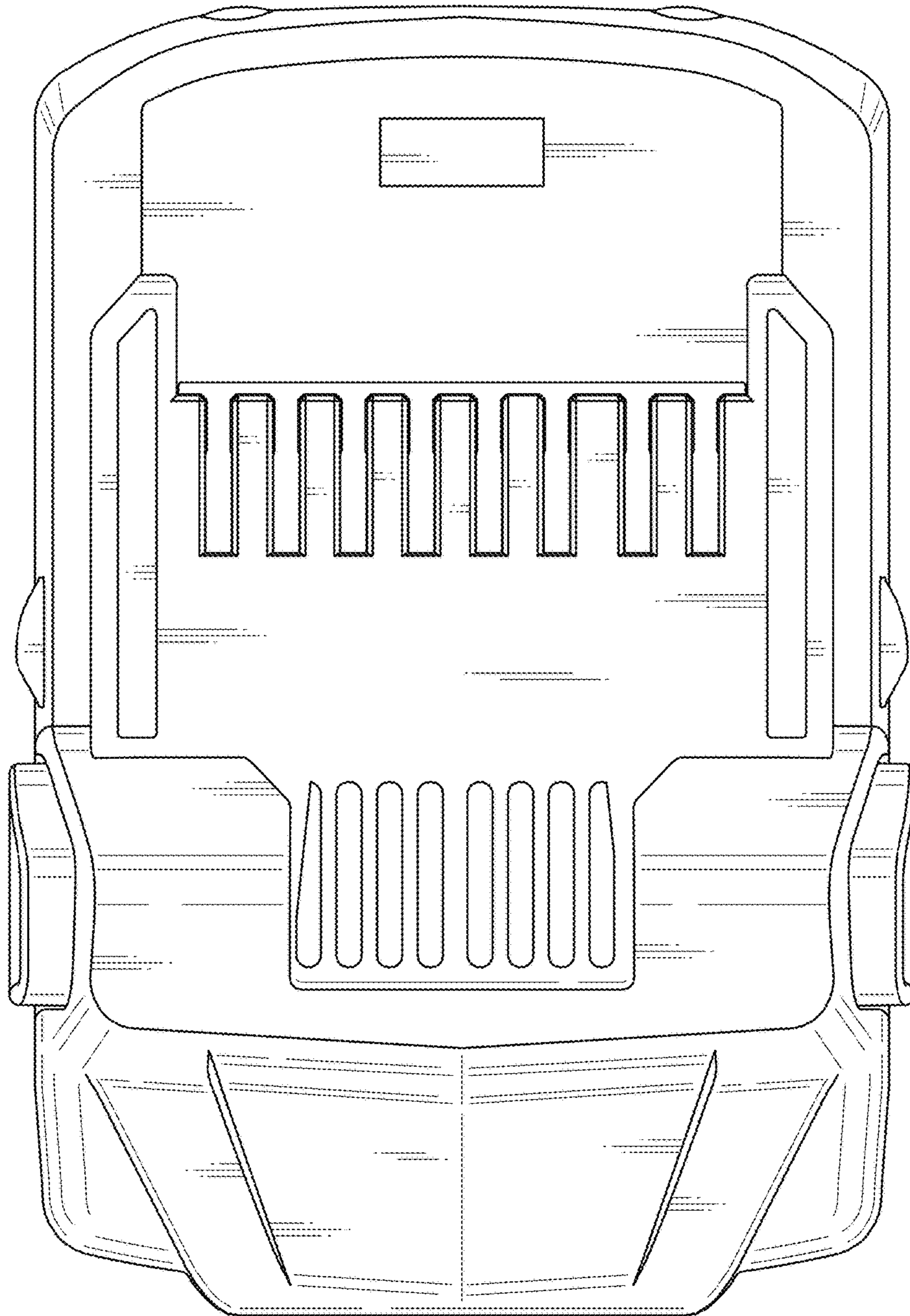


Fig. 8

