



US00D780686S

(12) **United States Design Patent**  
**Glasow**

(10) **Patent No.:** **US D780,686 S**  
(45) **Date of Patent:** **\*\* Mar. 7, 2017**

- (54) **BATTERY PACK**
- (71) Applicant: **Wacker Neuson Produktion GmbH & Co. KG**, Munich (DE)
- (72) Inventor: **Claas Glasow**, Munich (DE)
- (73) Assignee: **Wacker Neuson Produktion GmbH & Co. KG**, Munich (DE)

- D393,446 S \* 4/1998 Bellofatto ..... D13/106
- D401,551 S \* 11/1998 Kim ..... D13/106
- 6,007,937 A \* 12/1999 Ruiz Rodriguez . B60L 11/1874  
429/120
- D418,477 S \* 1/2000 Sunagawa ..... D13/104
- D420,324 S \* 2/2000 Wan ..... D13/107
- D495,994 S \* 9/2004 Arakelian ..... D13/103

(Continued)

- (\*\*) Term: **14 Years**
- (21) Appl. No.: **29/511,511**
- (22) Filed: **Dec. 11, 2014**

(30) **Foreign Application Priority Data**

Aug. 5, 2014 (EP) ..... 002514778

(51) **LOC (10) Cl.** ..... **13-02**

(52) **U.S. Cl.**  
USPC ..... **D13/103**

(58) **Field of Classification Search**  
USPC ..... D13/102, 103, 104, 105, 106, 107, 108,  
D13/110, 119, 184, 199; 307/82, 109,  
307/150, 151; 320/104, 107, 111, 112,  
320/113, 115, 132, 134, 150; 361/600,  
361/601, 623; 429/96, 97, 98, 99, 100,  
429/163, 170, 176; 220/532, 533;  
180/68.5

CPC .. H01M 10/613; H01M 10/06; H01M 10/121;  
H01M 10/125; H01M 10/625; H01M  
10/6551; H01M 10/6557; H01M 10/6567;  
H01M 10/6555; H01M 10/643; H01M  
10/6561; H01M 2/043; H01M 2/1072;  
H01M 2/206; H01M 2/30; H01M 2/345

See application file for complete search history.

(56) **References Cited**

**U.S. PATENT DOCUMENTS**

- D294,484 S \* 3/1988 Kellett ..... D13/106
- D383,434 S \* 9/1997 Hooke ..... D13/103

**OTHER PUBLICATIONS**

“Battery-powered special rammer for pipe gussets.” Accessed: Dec. 16, 2015. Wacker Neuson. <http://www.dk.wackerneuson.com/en/products/pg/battery-rammer/prod/as30e/type/description.html>.\*

(Continued)

*Primary Examiner* — Manpreet Matharu

*Assistant Examiner* — Suzanne Tisdell

(74) *Attorney, Agent, or Firm* — Boyle Fredrickson, S.C.

(57) **CLAIM**

The ornamental design for a battery pack, as shown and described.

**DESCRIPTION**

FIG. 1 is an isometric view of a battery pack incorporating my new design, viewed from above, in front of, and from the right side of the battery pack;

FIG. 2 is a front side elevation view thereof;

FIG. 3 is a rear side elevation view thereof;

FIG. 4 is left side elevation view thereof;

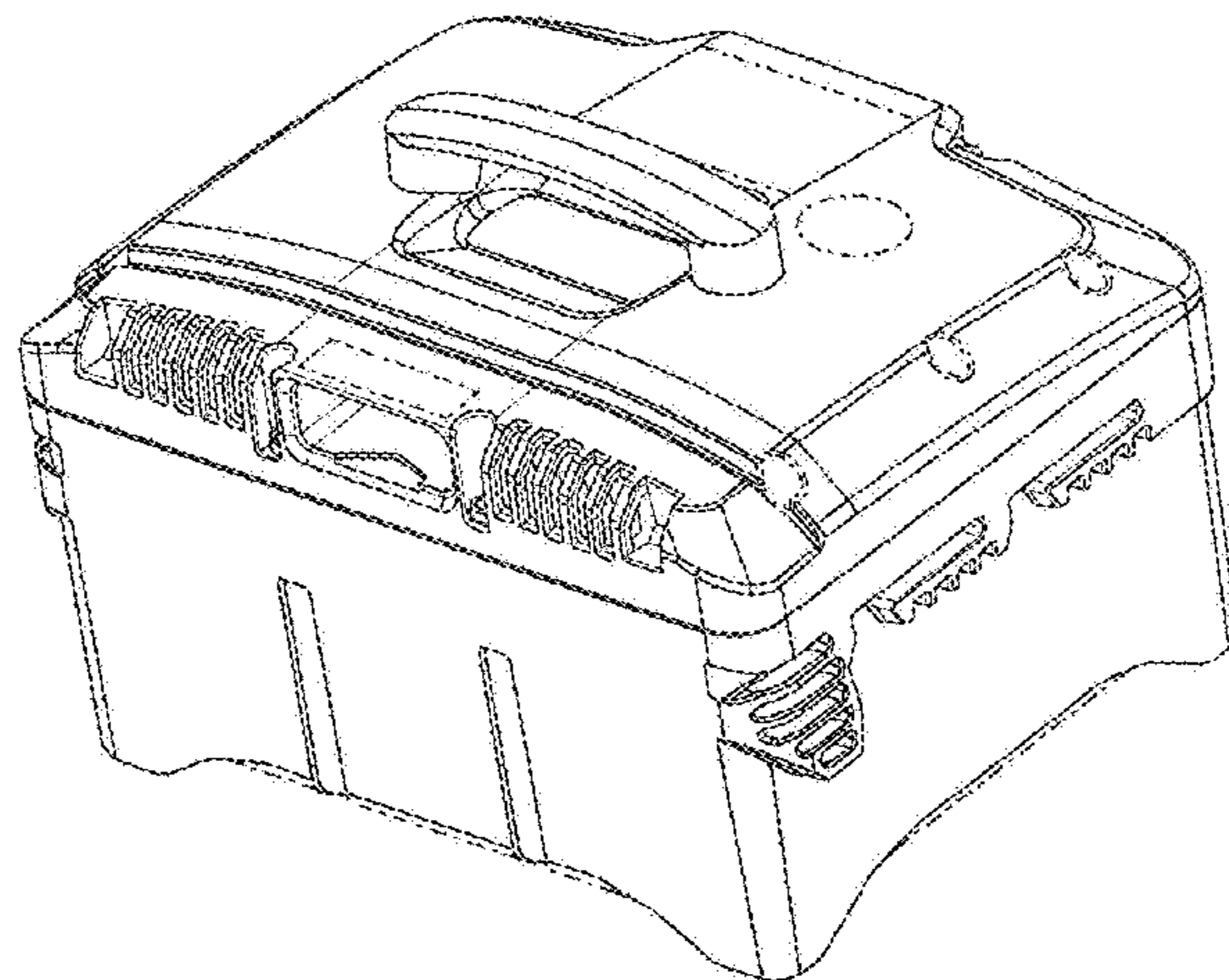
FIG. 5 is a right side elevation view thereof;

FIG. 6 is a top plan view thereof; and,

FIG. 7 is a bottom plan view thereof.

The broken lines represent the environment or the bounds of the claimed design and form no part of the claimed design.

**1 Claim, 7 Drawing Sheets**



(56)

References Cited

U.S. PATENT DOCUMENTS

D517,479 S \* 3/2006 Schemm ..... D13/103  
 D517,987 S \* 3/2006 Castagnola ..... D13/103  
 D517,988 S \* 3/2006 Ihde ..... D13/103  
 D584,684 S \* 1/2009 Aglassinger ..... D13/110  
 D589,443 S \* 3/2009 Aglassinger ..... D13/110  
 D592,134 S \* 5/2009 Brockington ..... D13/119  
 D603,792 S \* 11/2009 Ferro ..... D13/110  
 D610,089 S \* 2/2010 Mack ..... D13/103  
 D616,377 S \* 5/2010 Bussen ..... D13/162.1  
 D629,354 S \* 12/2010 Chang ..... D13/107  
 D660,790 S \* 5/2012 Elison ..... D13/106  
 D660,792 S \* 5/2012 Inskip ..... D13/104  
 D662,053 S \* 6/2012 Inskip ..... D13/110  
 D668,604 S \* 10/2012 Elison ..... D13/106  
 D674,747 S \* 1/2013 Nierescher ..... D13/106  
 D675,562 S \* 2/2013 Qualls ..... D13/106  
 D689,017 S \* 9/2013 Ambrose ..... D13/103  
 D695,680 S \* 12/2013 Workman ..... D13/103  
 D695,682 S \* 12/2013 Nam ..... D13/104  
 D698,724 S \* 2/2014 Palatini ..... D13/110  
 D699,180 S \* 2/2014 Sweere ..... D13/103  
 D718,705 S \* 12/2014 Naksen ..... D13/103  
 D719,088 S \* 12/2014 Koebler ..... D13/104

D719,105 S \* 12/2014 Shin ..... D13/159  
 D728,474 S \* 5/2015 Orlando ..... D13/110  
 D729,178 S \* 5/2015 Kobayashi ..... D13/161  
 D729,747 S \* 5/2015 Suzuki ..... D13/159  
 D730,300 S \* 5/2015 Kobayashi ..... D13/161  
 D733,048 S \* 6/2015 Inskip ..... D13/107  
 D735,701 S \* 8/2015 Maxam ..... D14/240  
 D737,764 S \* 9/2015 Janos ..... D13/110  
 D740,234 S \* 10/2015 Johannessen ..... D13/119  
 D742,307 S \* 11/2015 DeKeuster ..... D13/103

OTHER PUBLICATIONS

“Wacker-Neuson: New Rammers are Emission-Free.” Posted Apr. 30, 2015. bi medien. [http://www.bi-constructionnews.com/en\\_article\\_WackerNeuson\\_new\\_battery\\_rammer.news](http://www.bi-constructionnews.com/en_article_WackerNeuson_new_battery_rammer.news).  
 “Wacker Neuson has introduced a battery-powered rammer for emission-free and cable-free working.” Posted Apr. 29, 2015. The Construction Index. <http://www.theconstructionindex.co.uk/news/view/wackers-battery-powered-rammer>.  
 “Battery-powered rammer for emission-free work.” Posted Jun. 22, 2015. Wacker Neuson. <http://www.wackerneuson.be/news/news-belgium/view/article/3251/Battery-powered-rammer-for-emission-free-work.html>.

\* cited by examiner

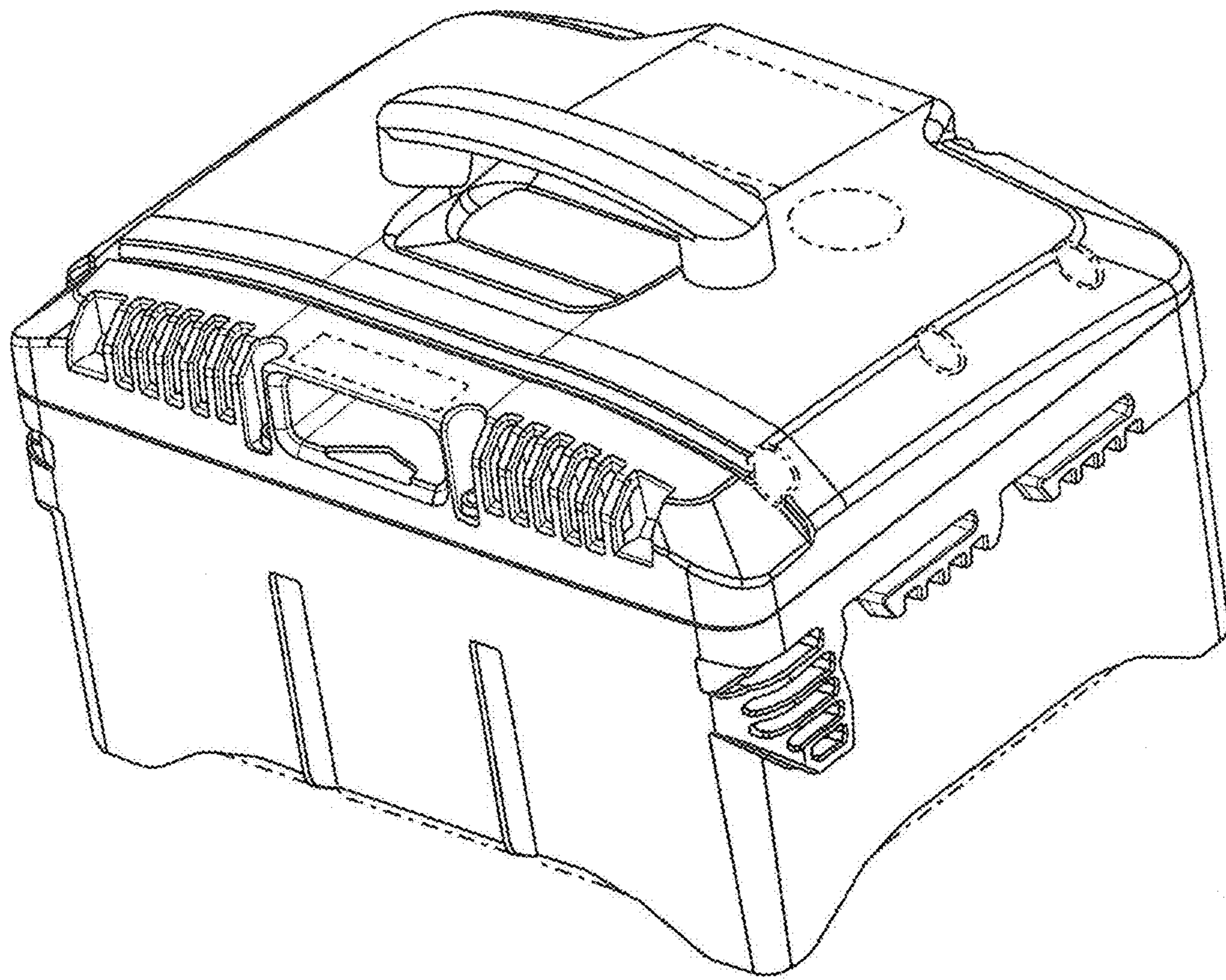


FIG. 1



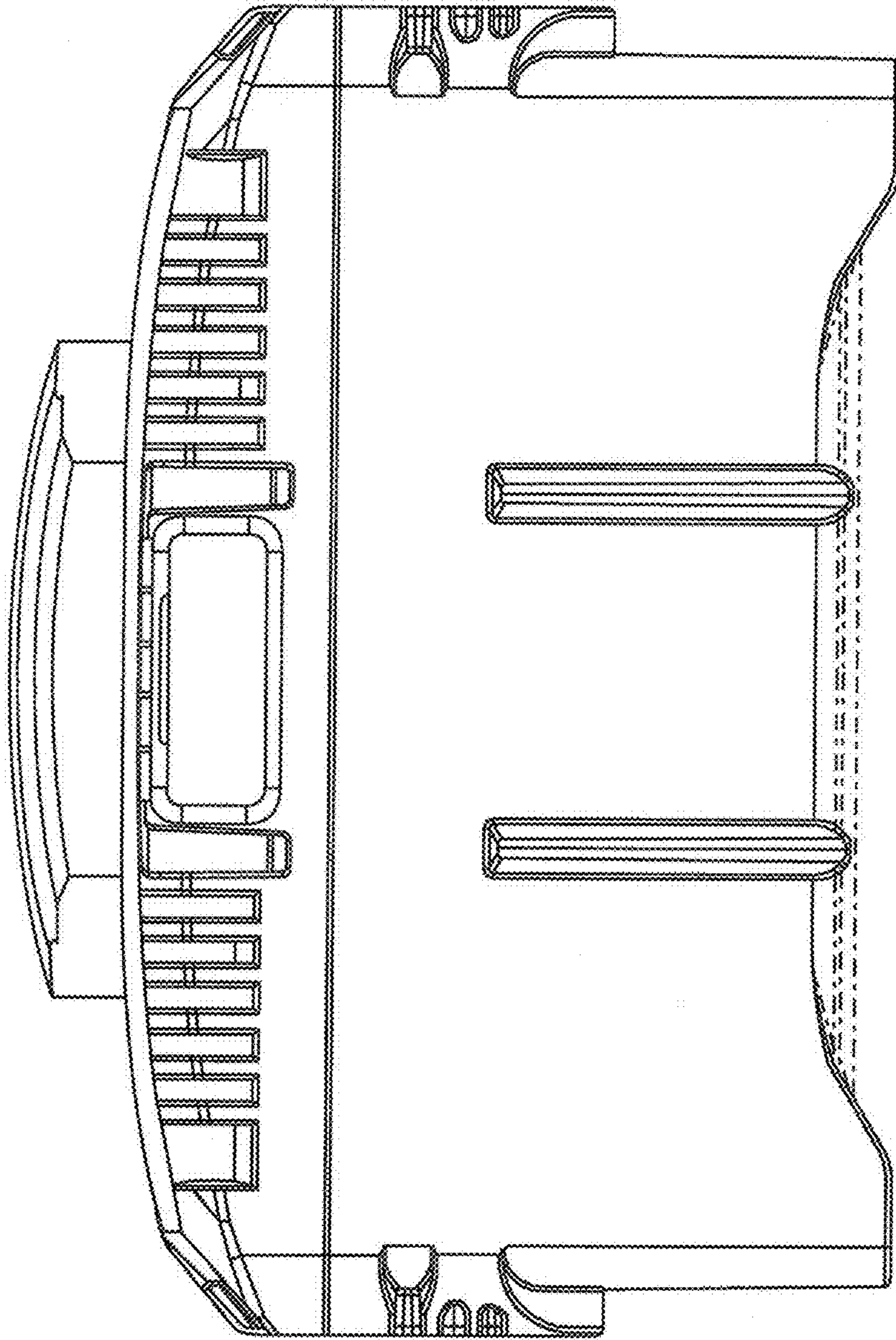


FIG. 2

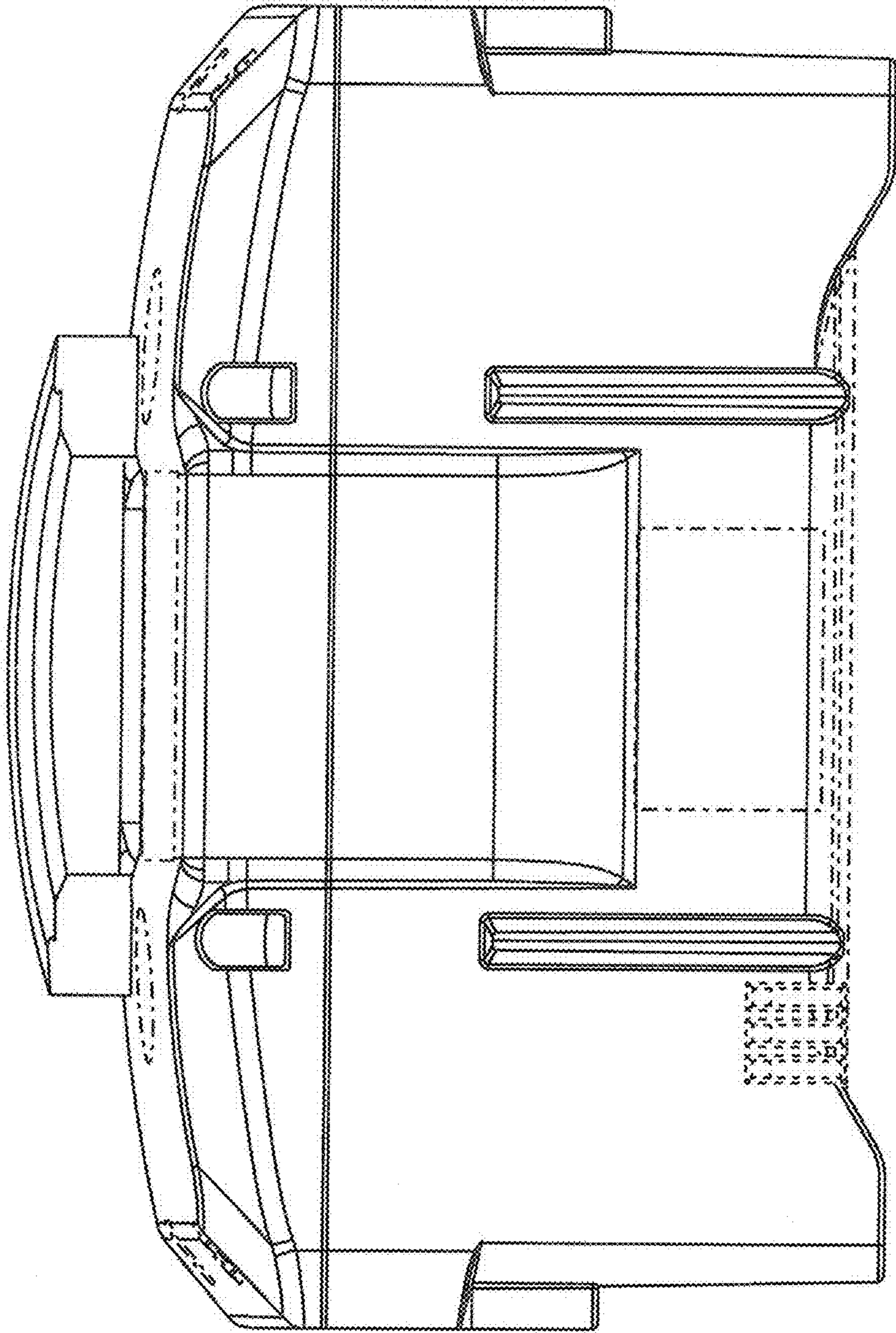


FIG. 3

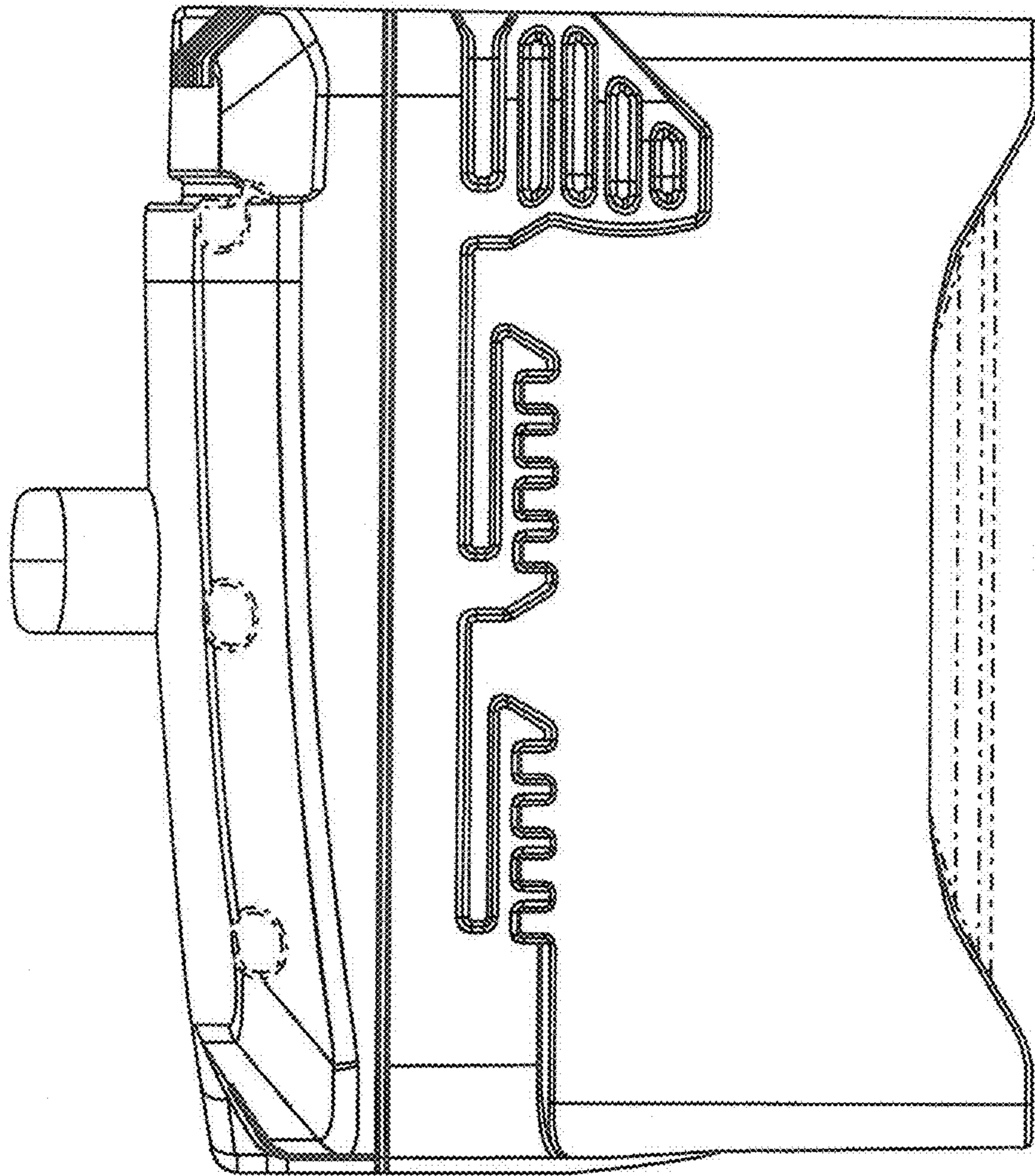
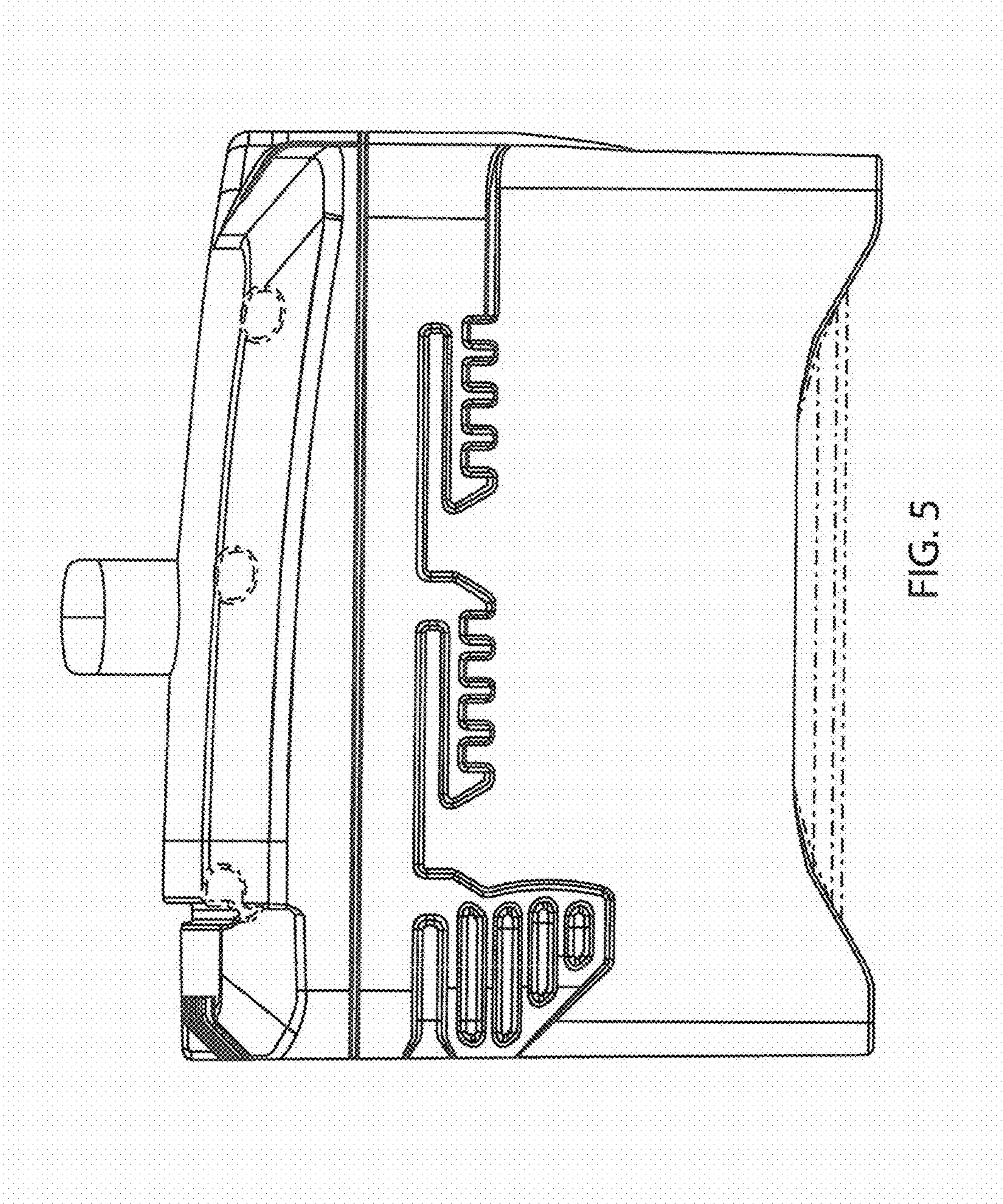


FIG. 4





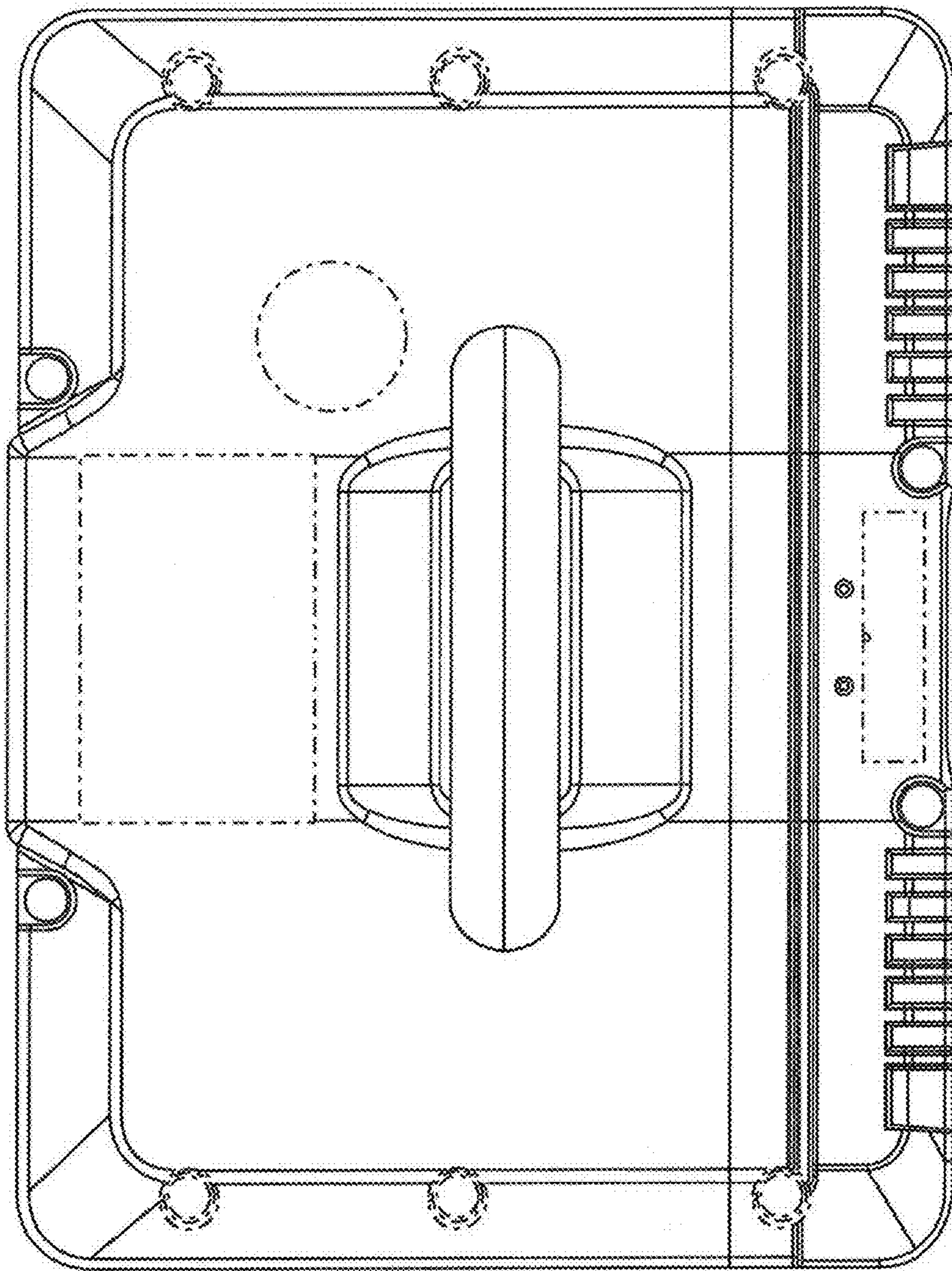


FIG. 6



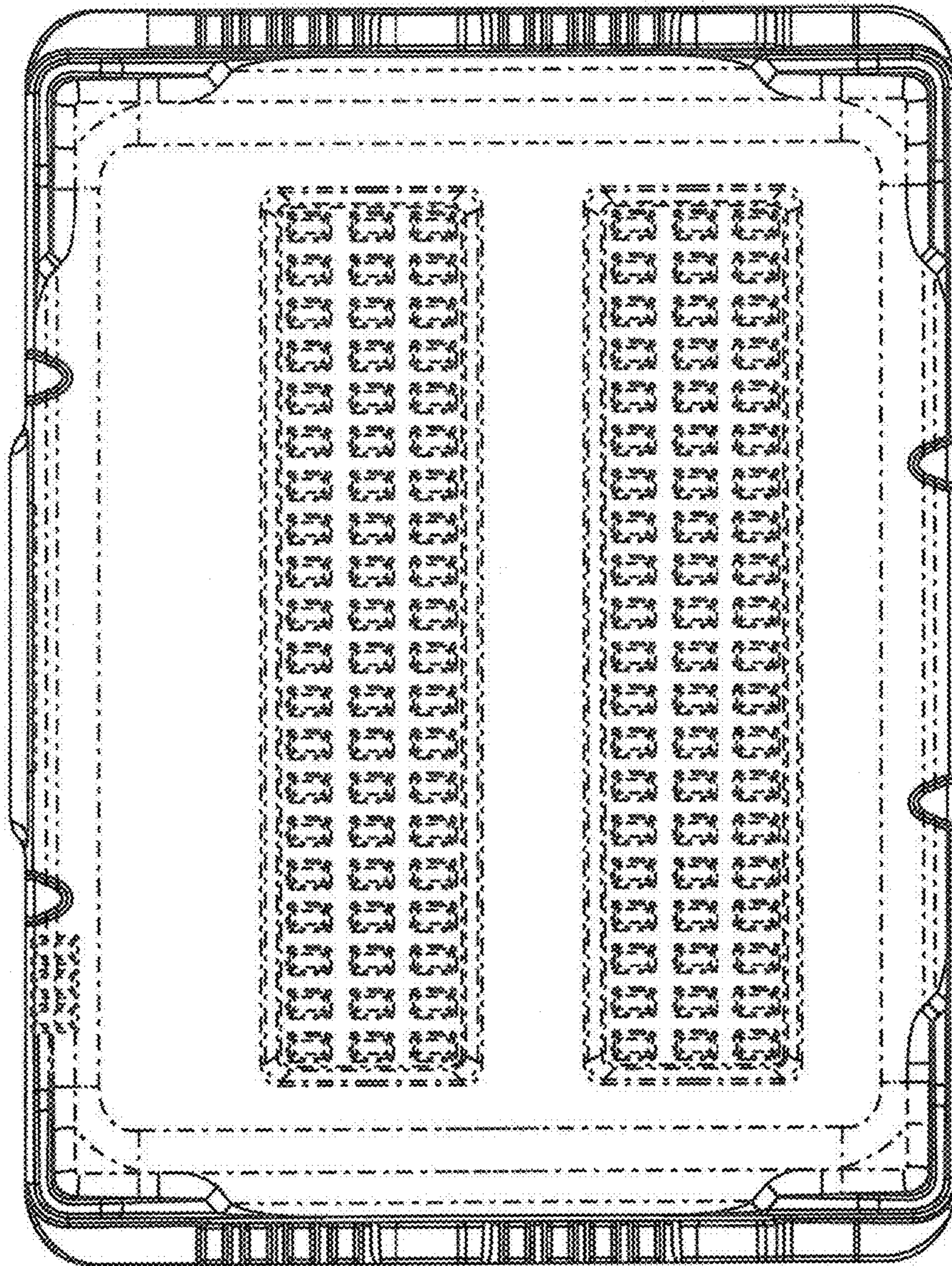


FIG. 7