



US00D780683S

(12) **United States Design Patent**
Hongling et al.

(10) **Patent No.:** **US D780,683 S**
(45) **Date of Patent:** **** Mar. 7, 2017**

(54) **TIRE**

D700,884 S * 3/2014 Herbeuval D12/584
D744,938 S * 12/2015 Wang D12/584
D753,054 S * 4/2016 Fujita D12/585

(71) Applicant: **Davanti Tyres Limited**, St. Helens
(GB)

OTHER PUBLICATIONS

(72) Inventors: **Zhao Hongling**, Qingdao (CN); **Zhang Yixin**, Qingdao (CN); **Wan Junrui**, Qingdao (CN); **Liu Junjie**, Qingdao (CN); **Ge Yingli**, Qingdao (CN)

Davanti DX440 Tire found online [May 25, 2016] <http://www.davanti-tyres.com/tyrerange/tyreDetails?treaduid=c93eed9f-d48f-4e52-aa1b-a62480b73152>.*

* cited by examiner

(73) Assignee: **Davanti Tyres Limited**, St. Helens, Merseyside (GB)

Primary Examiner — Robert M Spear

Assistant Examiner — John Voytek

(**) Term: **15 Years**

(74) *Attorney, Agent, or Firm* — Antoinette M. Tease

(21) Appl. No.: **29/532,590**

(57) **CLAIM**

The design for a tire, as shown and described.

(22) Filed: **Jul. 8, 2015**

DESCRIPTION

(51) **LOC (10) Cl.** **12-15**

FIG. 1 is a perspective view of a tire showing the new design.

(52) **U.S. Cl.**

FIG. 2 is a front view of a tire showing the new design.

USPC **D12/602**

FIG. 3 is a rear view of a tire showing the new design.

(58) **Field of Classification Search**

FIG. 4 is a top view of a tire showing the new design.

USPC D12/568-604, 900

FIG. 5 is a bottom view of a tire showing the new design,

CPC B60C 1/0016; B60C 11/0306; B60C

FIG. 6 is a first side (left) view of a tire showing the new design; and,

11/0302; B60C 3/06; B60C 9/17

FIG. 7 is a second side (right) view of a tire showing the new design.

See application file for complete search history.

In the drawings, the broken lines depict environmental subject matter only and form no part of the claimed design.

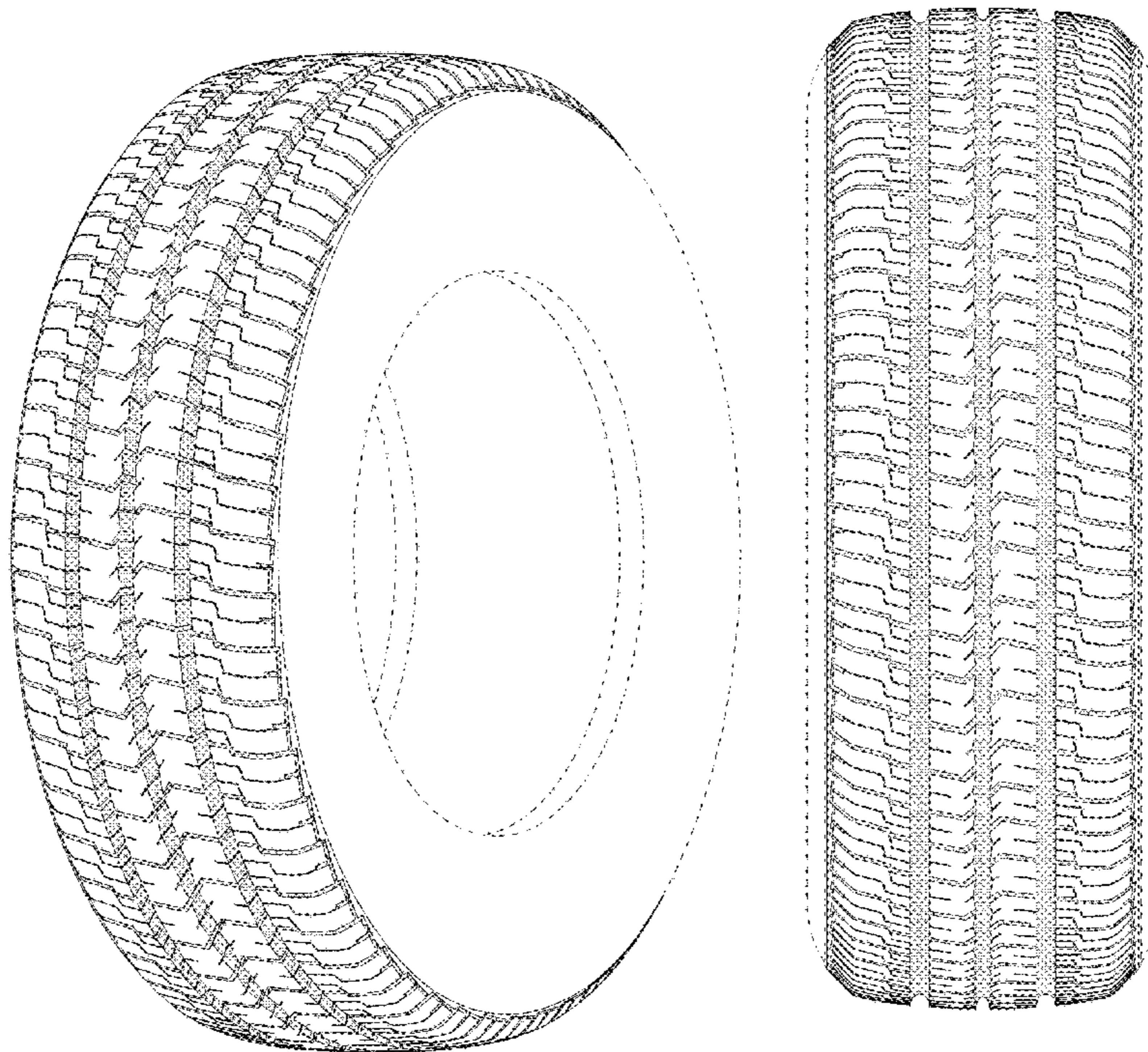
(56) **References Cited**

It is understood that the stippled shading represents grooves having the configuration and depth as shown at the top and bottom of FIGS. 2 through 5.

U.S. PATENT DOCUMENTS

D367,449 S * 2/1996 Chin D12/602
D389,788 S * 1/1998 Galante D12/597
D688,196 S * 8/2013 Fujita D12/585

1 Claim, 4 Drawing Sheets



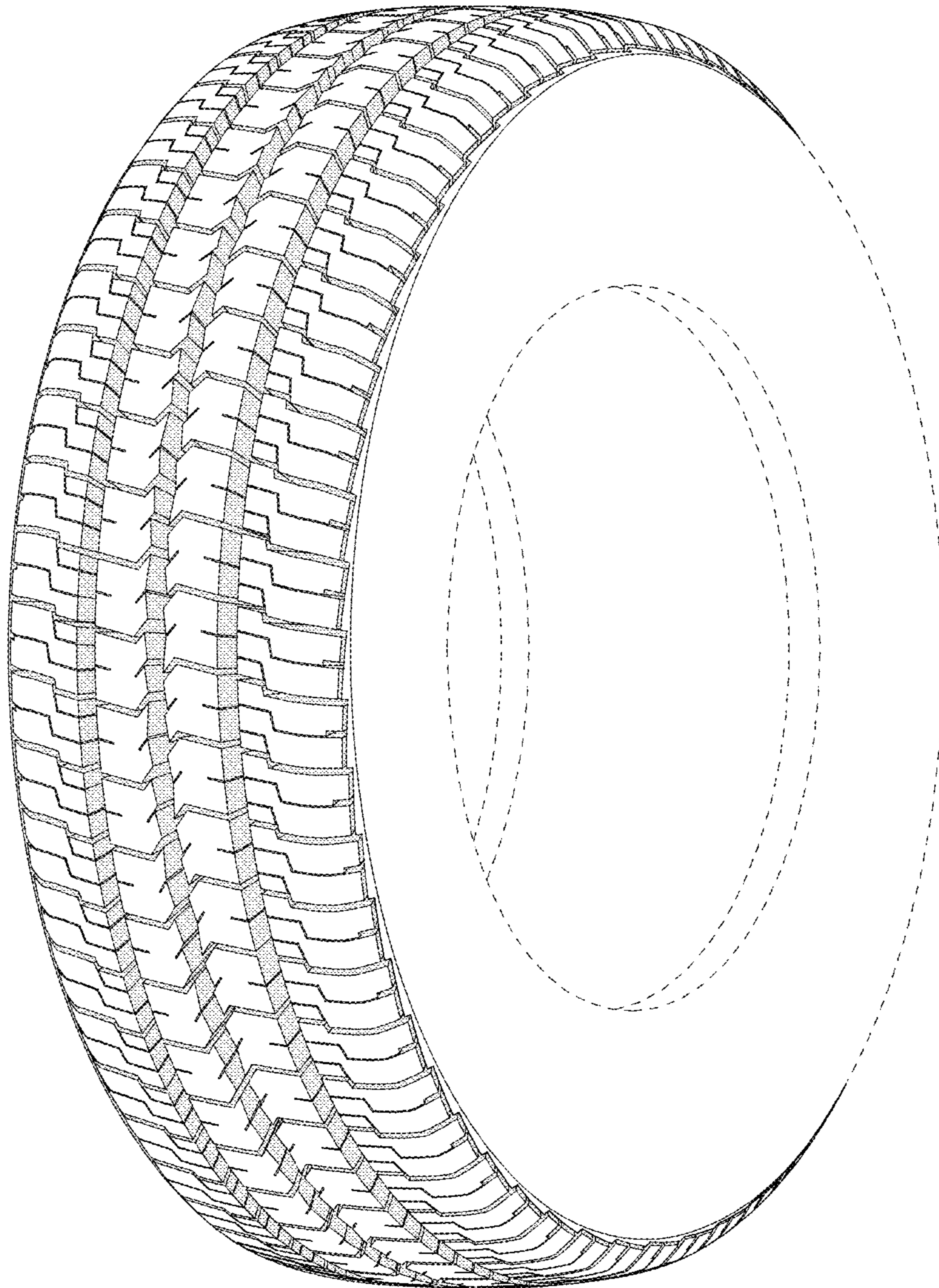


Fig.1

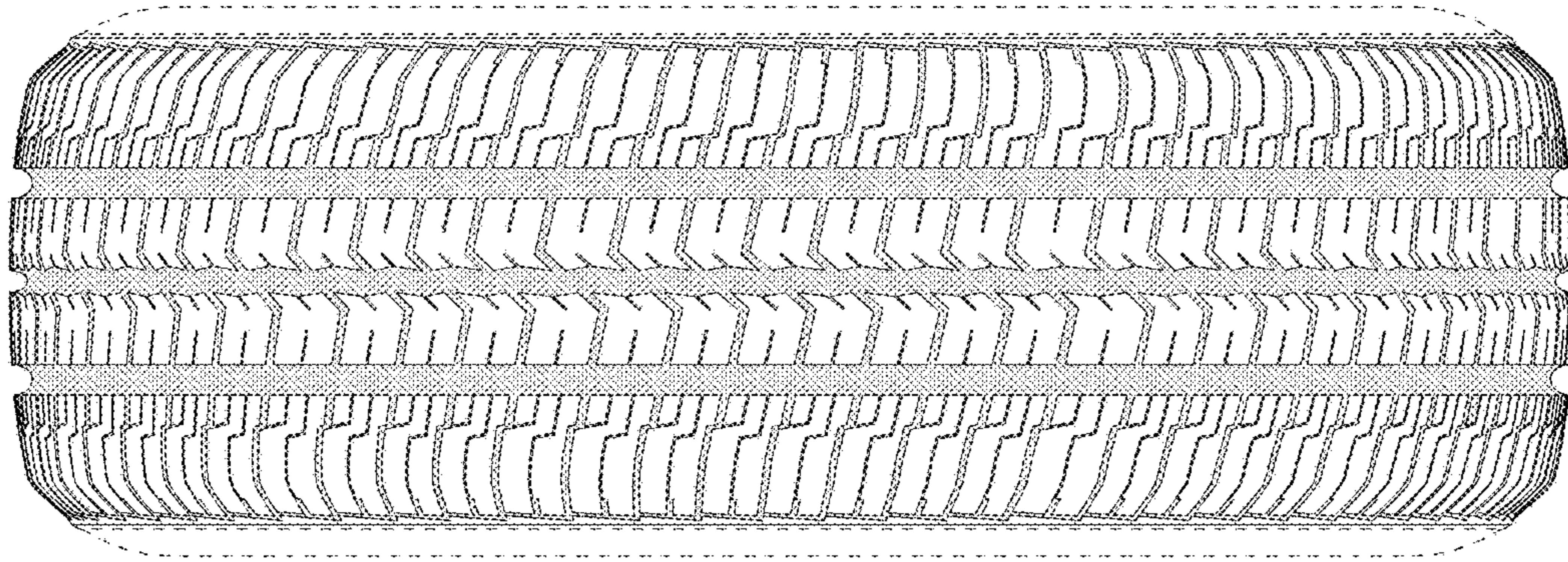


Fig. 5

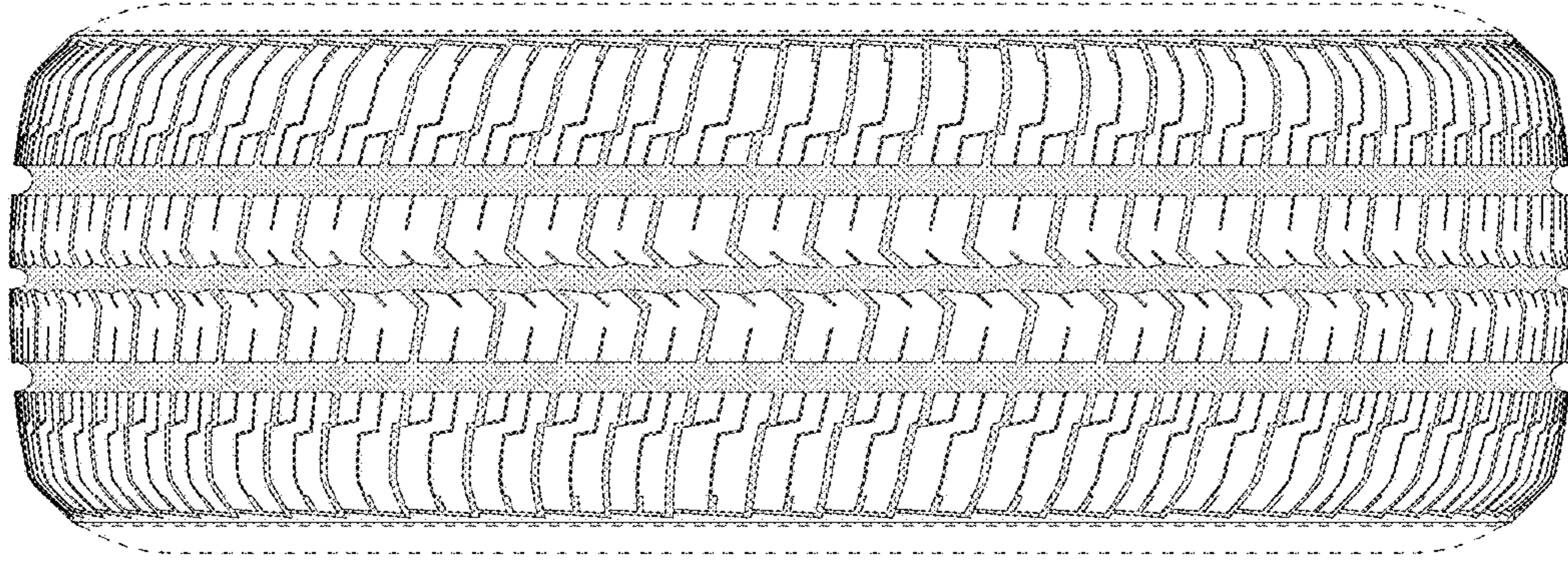


Fig. 4

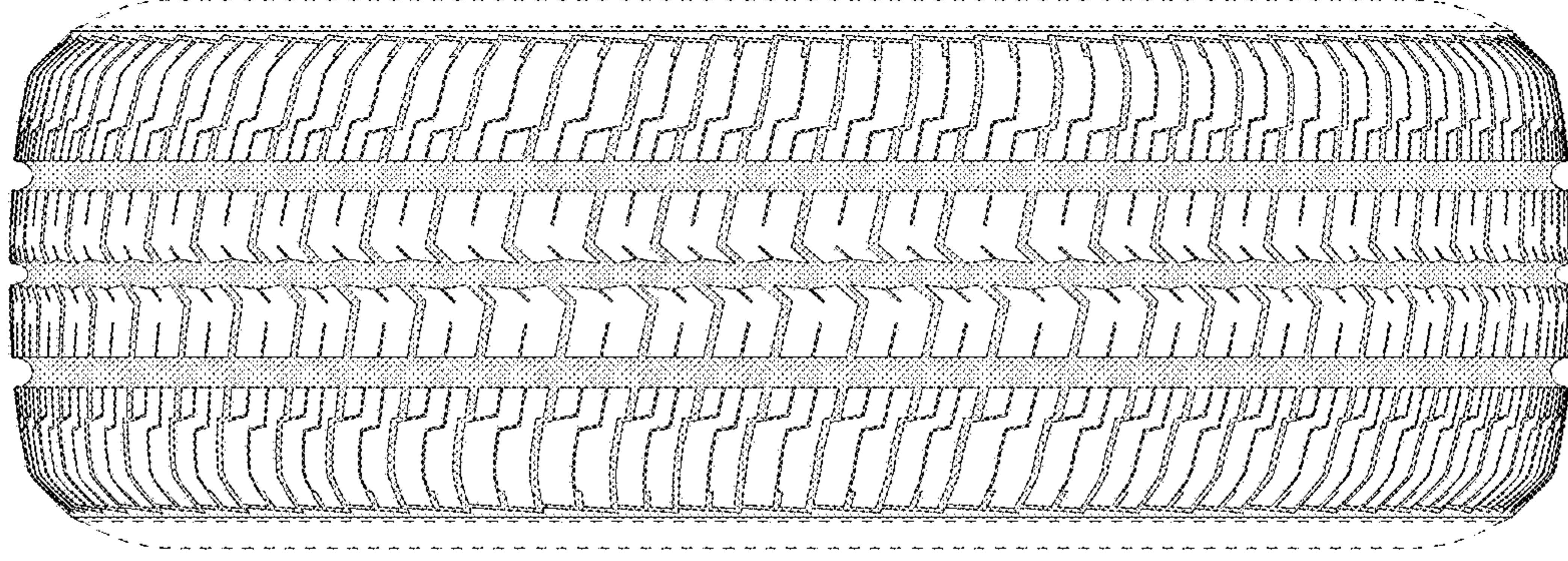


Fig. 3

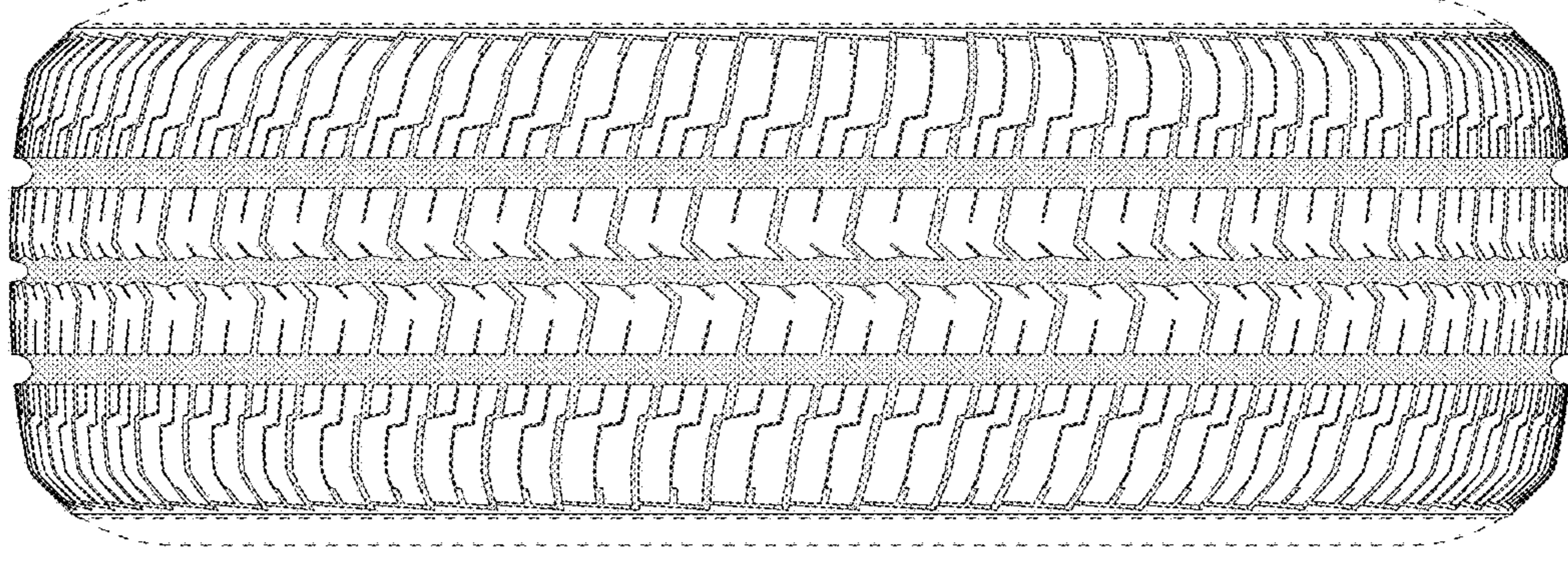


Fig. 2

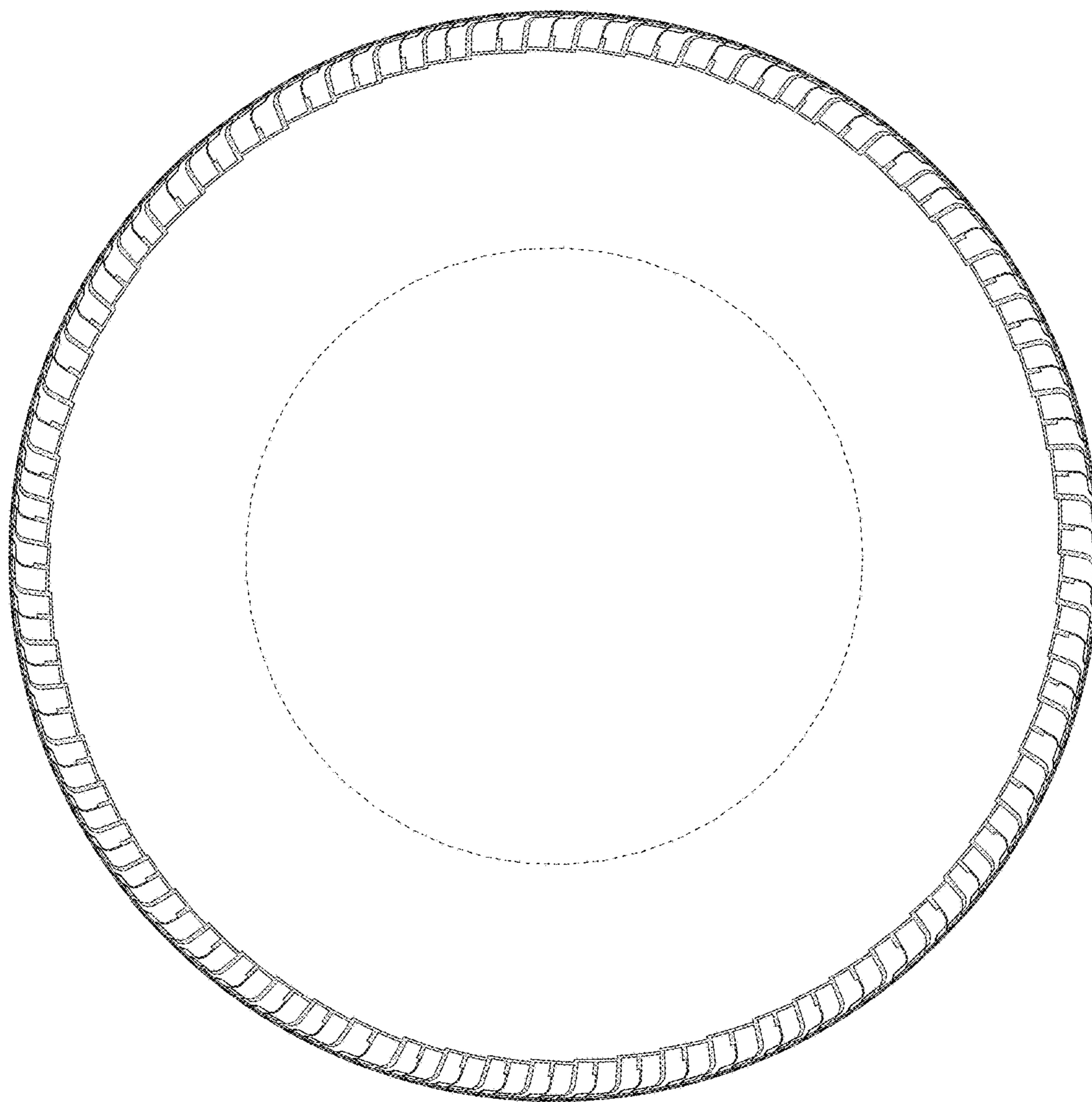


Fig.6

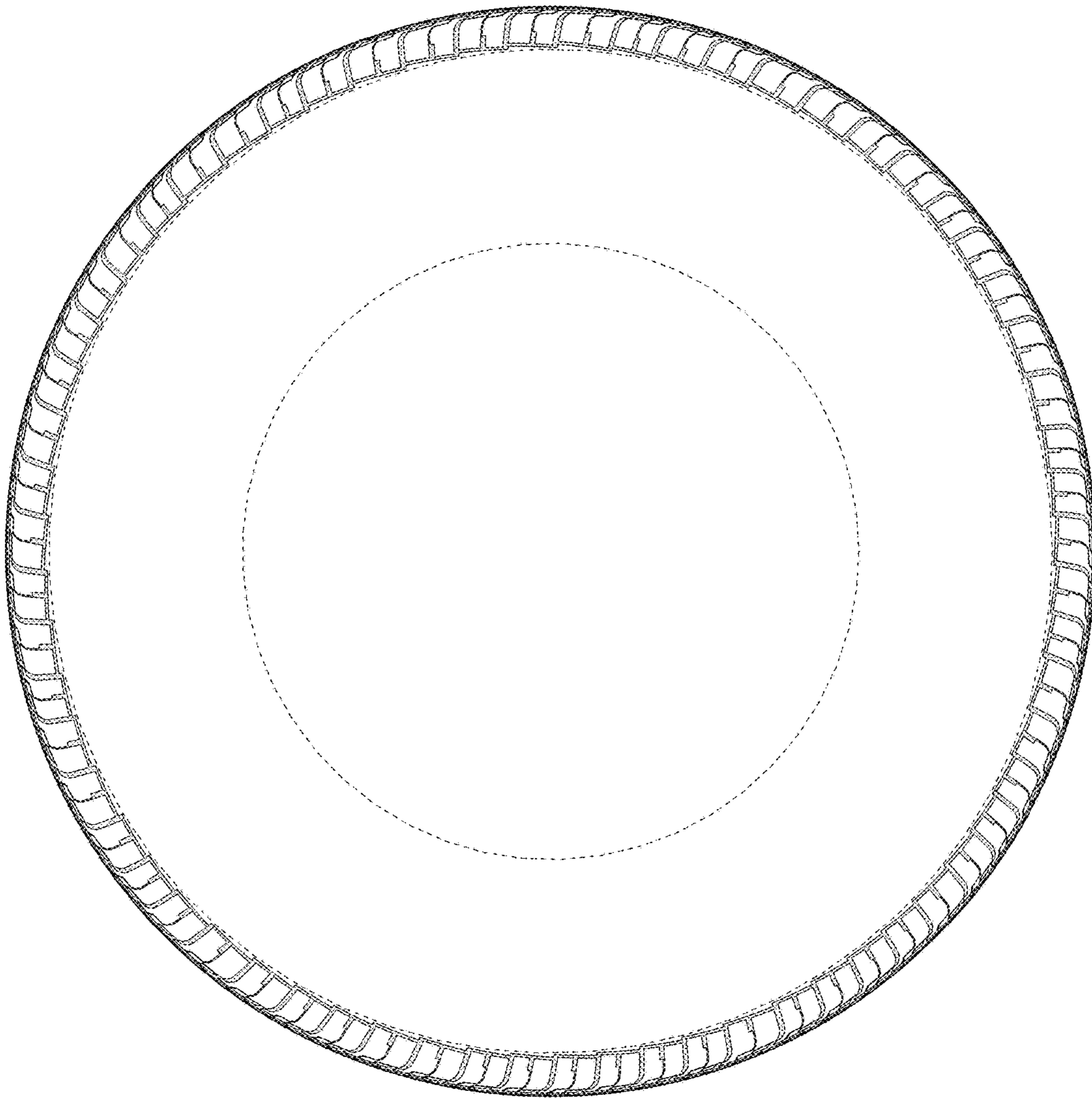


Fig.7