



US00D780678S

(12) **United States Design Patent**
Maxwell et al.

(10) **Patent No.:** **US D780,678 S**
(45) **Date of Patent:** **** Mar. 7, 2017**

- (54) **TIRE**
- (71) Applicant: **The Goodyear Tire & Rubber Company, Akron, OH (US)**
- (72) Inventors: **Paul Bryan Maxwell, Kent, OH (US); Jonathan James Shondel, Massillon, OH (US)**
- (73) Assignee: **The Goodyear Tire & Rubber Company, Akron, OH (US)**
- (**) Term: **14 Years**
- (21) Appl. No.: **29/498,089**
- (22) Filed: **Jul. 31, 2014**
- (51) **LOC (10) Cl.** **12-15**
- (52) **U.S. Cl.**
USPC **D12/595**
- (58) **Field of Classification Search**
USPC D12/500–568, 580–604, 900
CPC B60C 1/0016; B60C 11/0306; B60C 11/0302; B60C 3/06; B60C 9/17
See application file for complete search history.

D581,346 S 11/2008 Shondel et al. D12/521
D584,213 S 1/2009 Shinkai D12/519
D585,364 S 1/2009 Shondel et al. D12/600
(Continued)

OTHER PUBLICATIONS

Goodyear Viva 3 All-Season Tire found online [Feb. 17, 2016] <http://www.walmart.com/ip/Goodyear-Viva-3-All-Season-Tire-225-60R16-98T/42353793>.*

Primary Examiner — Robert M Spear
Assistant Examiner — John Voytek
(74) *Attorney, Agent, or Firm* — Robert N. Lipsik

(57) **CLAIM**

The ornamental design for a tire, as shown and described.

DESCRIPTION

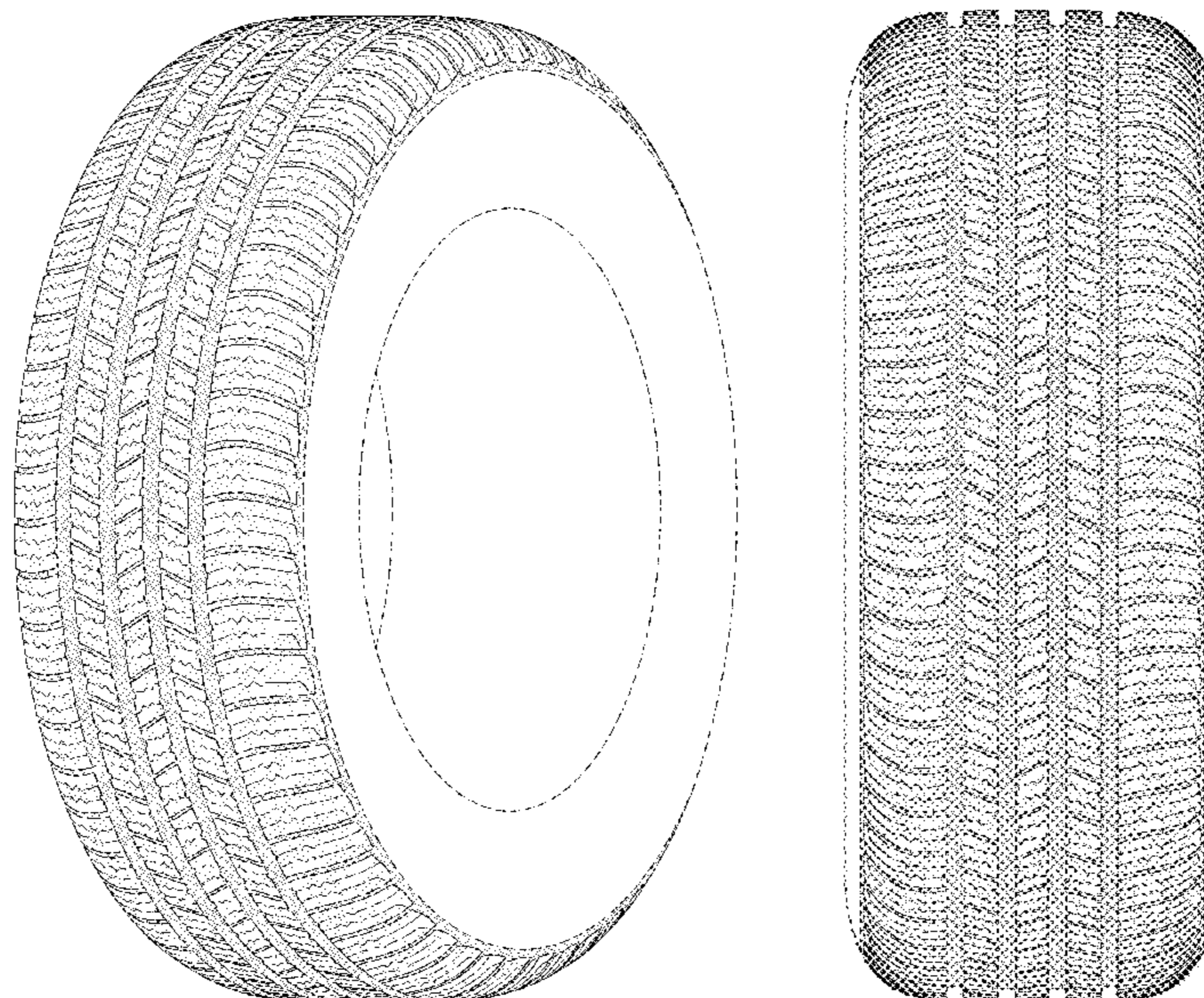
FIG. 1 is a perspective view of a tire showing our new design, it being understood that the pattern repeats uniformly throughout the circumference of the tread;
FIG. 2 is a front elevational view thereof;
FIG. 3 is a right side elevational view thereof; the opposite side elevational view being identical thereto;
FIG. 4 is an enlarged fragmentary front elevational view thereof;
FIG. 5 is a perspective view of a second embodiment of a tire showing our new design, it being understood that the pattern repeats uniformly throughout the circumference of the tread and that the opposite side view is identical thereto; and,
FIG. 6 is a front elevational view of a second embodiment, it being understood that an enlarged fragmentary view thereof would be substantially identical to that shown in FIG. 4, with the exception of the inclusion of the sidewall in solid lines.
In the drawings, the broken lines depict environmental subject matter only and form no part of the claimed design.

(56) **References Cited**

U.S. PATENT DOCUMENTS

D334,360 S	3/1993	Graas et al.	D12/146
D372,008 S *	7/1996	van der Meer	D12/588
D392,922 S	3/1998	Heinen	D12/147
D426,178 S *	6/2000	Weber	D12/588
D451,441 S	12/2001	Weber	D12/146
D490,045 S	5/2004	Delu et al.	D12/519
D512,013 S	11/2005	Delu et al.	D12/521
D558,127 S	12/2007	Shavers et al.	D12/519
D559,767 S	1/2008	Graas et al.	D12/521
D560,595 S	1/2008	Bindner et al.	D12/521
D560,600 S	1/2008	Dixon et al.	D12/588

1 Claim, 6 Drawing Sheets



(56)

References Cited

U.S. PATENT DOCUMENTS

D593,936 S	6/2009	Maxwell	D12/587
D595,220 S	6/2009	Maxwell	D12/590
D599,276 S	9/2009	Fontaine et al.	D12/519
D601,939 S	10/2009	Fontaine et al.	D12/519
D604,692 S	11/2009	Ebiko et al.	D12/587
D609,161 S	2/2010	Fontaine et al.	D12/517
D619,958 S	7/2010	Maxwell	D12/586
D634,699 S	3/2011	Fontaine et al.	D12/517
D639,234 S *	6/2011	Reim	D12/588
D665,336 S	8/2012	Skurich et al.	D12/523
D666,138 S	8/2012	Fontaine et al.	D12/521
D686,974 S *	7/2013	Zhao	D12/589
D709,820 S *	7/2014	Rohweder	D12/586
D712,343 S *	9/2014	Wakishima	D12/588
D713,330 S *	9/2014	Tomida	D12/588
D728,463 S *	5/2015	Lindner	D12/588
D736,144 S *	8/2015	Ebel	D12/588

* cited by examiner

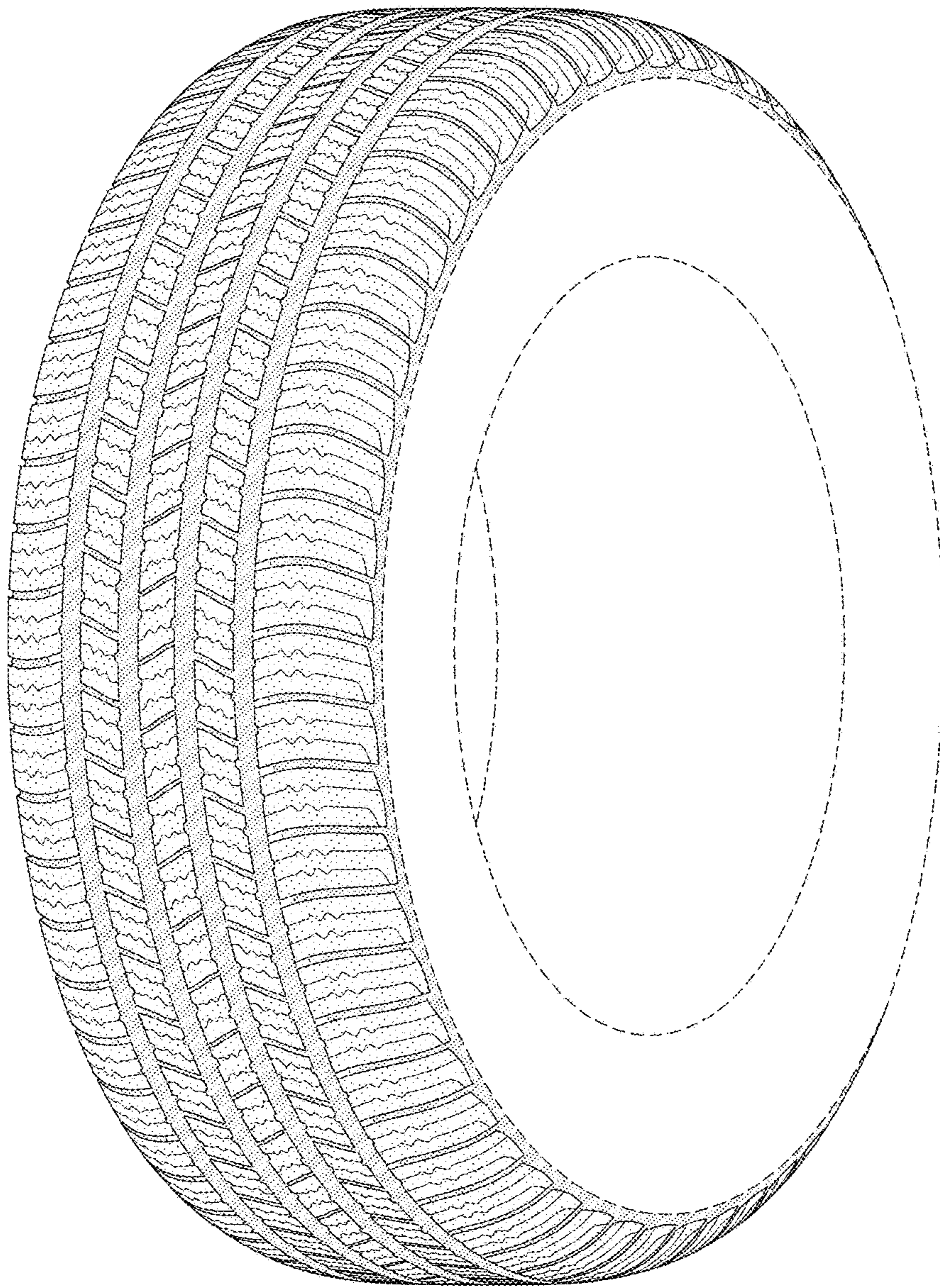


FIG-1

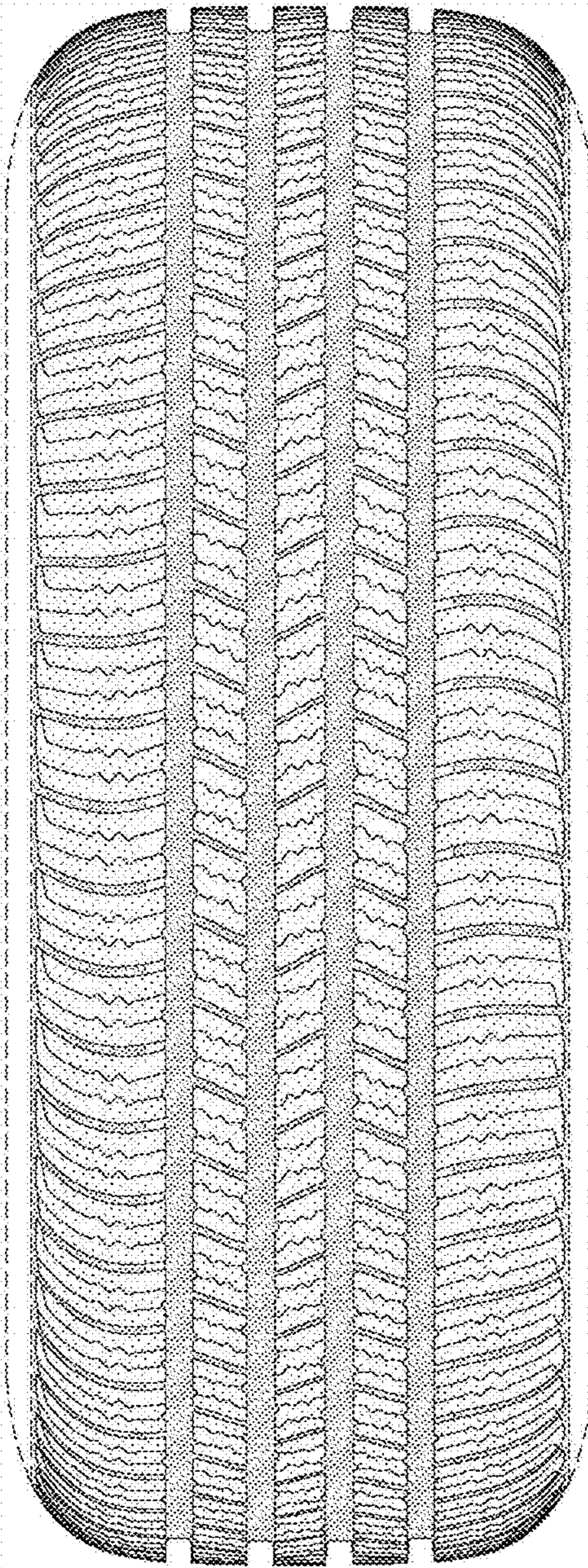


FIG-2

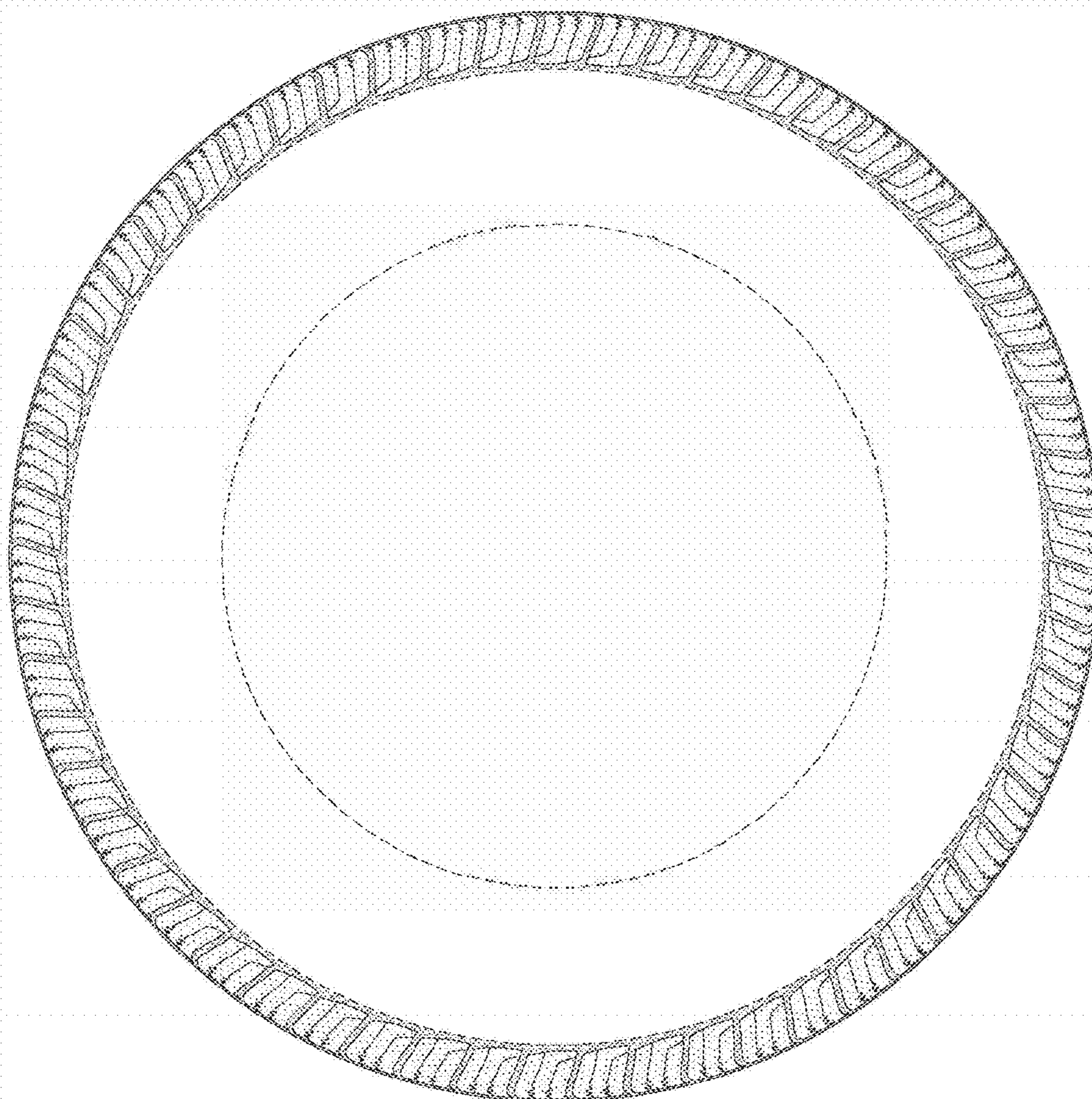


FIG-3

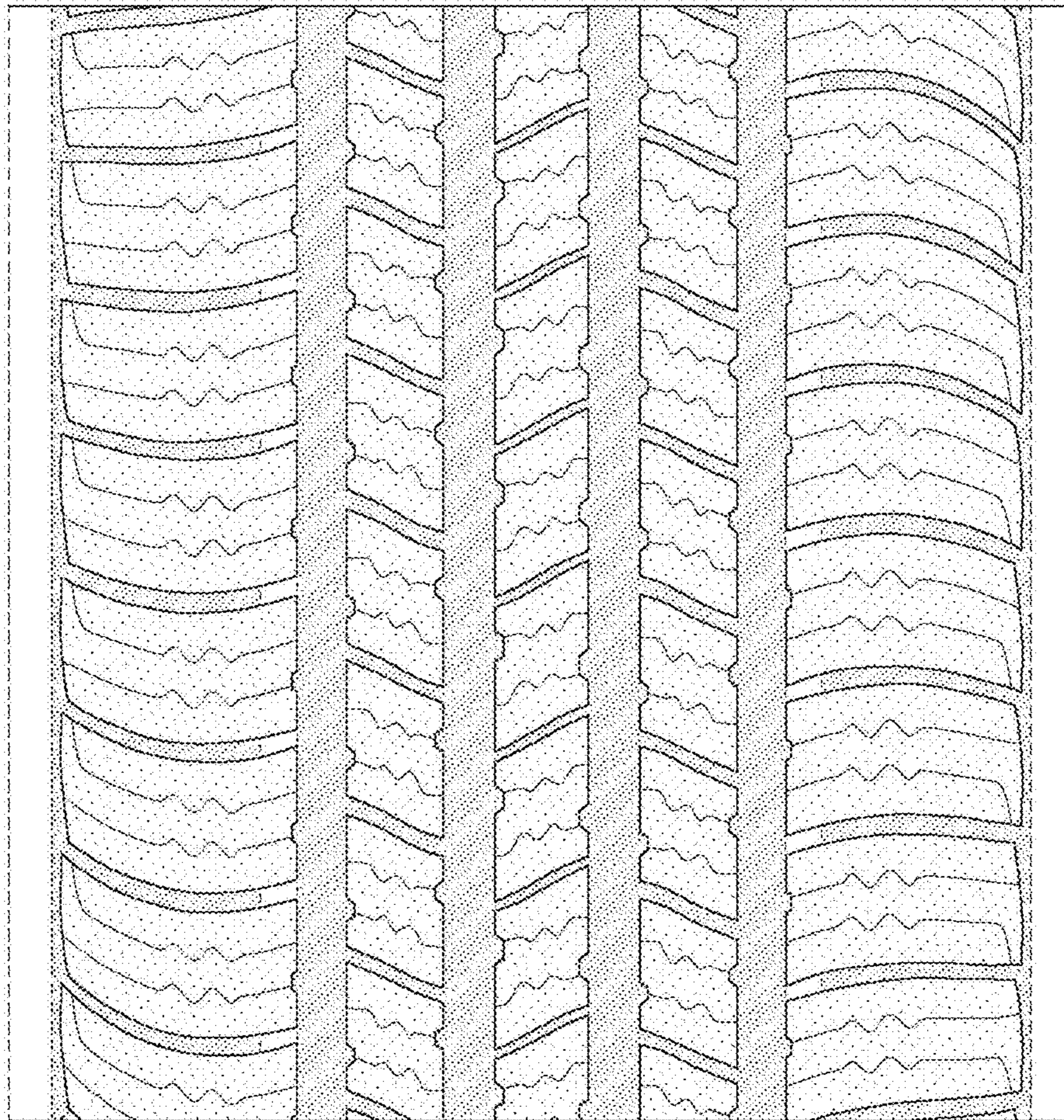


FIG-4

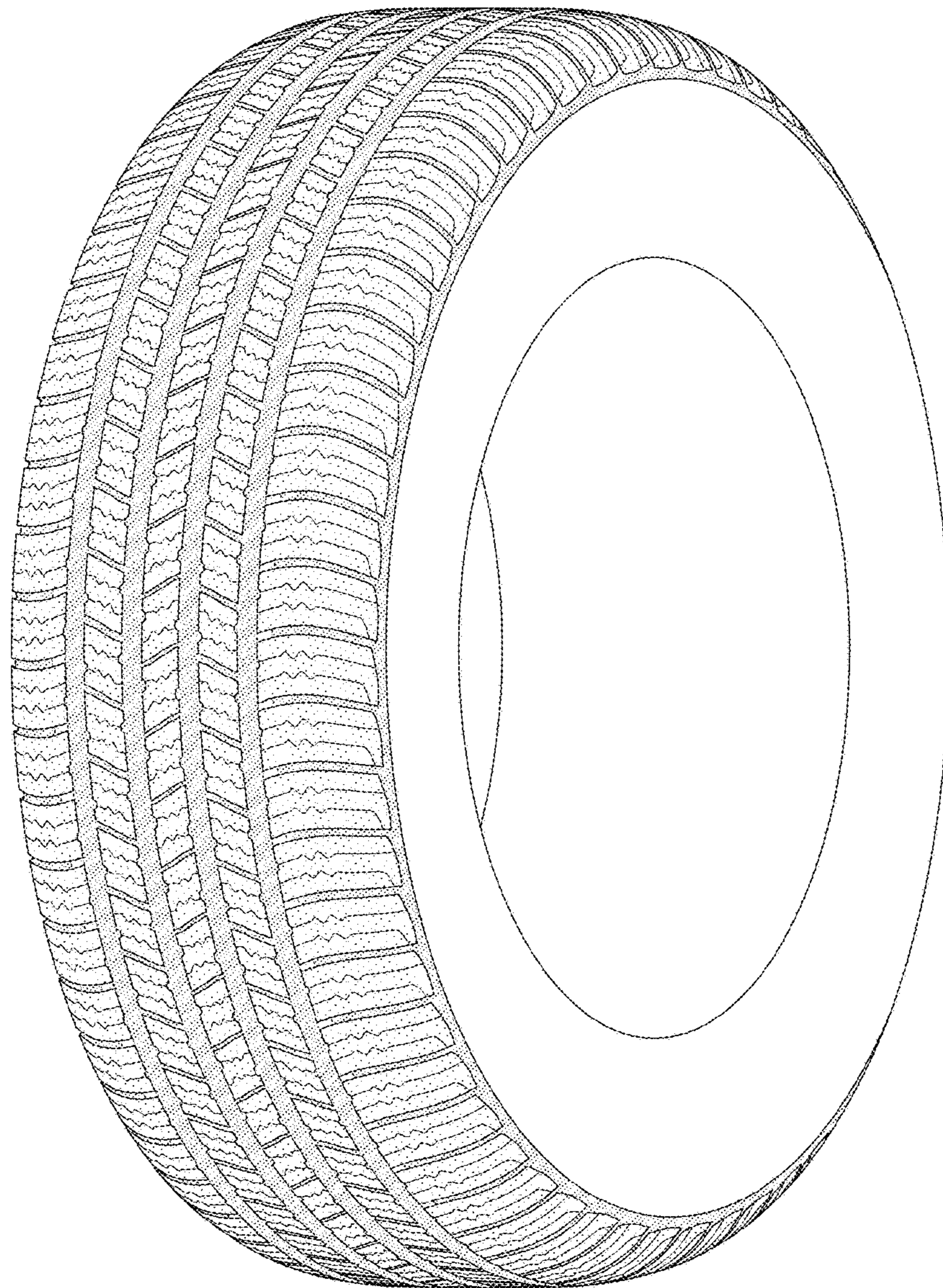


FIG-5

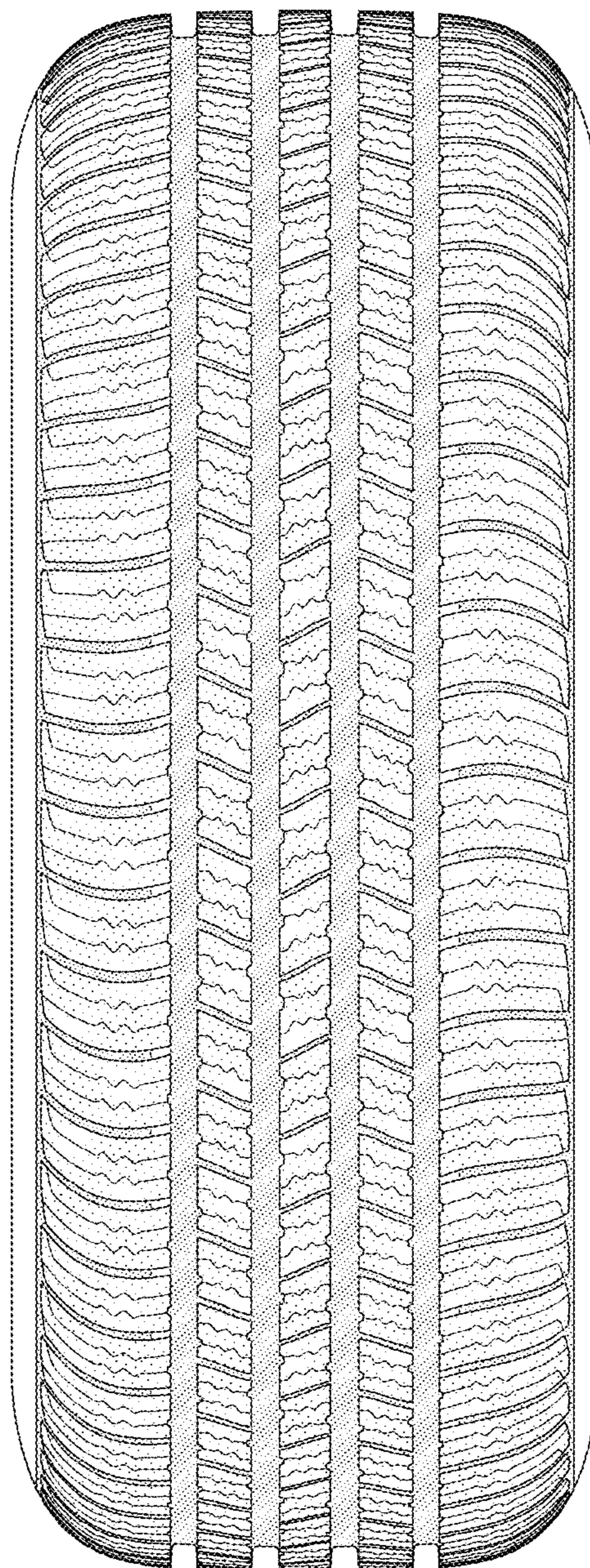


FIG-6