



US00D780673S

(12) **United States Design Patent**
Fujisawa

(10) **Patent No.:** **US D780,673 S**
(45) **Date of Patent:** **** Mar. 7, 2017**

- (54) **TIRE FOR AUTOMOBILE**
- (71) Applicant: **Sumitomo Rubber Industries, Ltd.**,
Kobe-shi, Hyogo (JP)
- (72) Inventor: **Takuya Fujisawa**, Kobe (JP)
- (73) Assignee: **SUMITOMO RUBBER**
INDUSTRIES, LTD., Kobe-Shi (JP)
- (**) Term: **15 Years**
- (21) Appl. No.: **29/550,944**
- (22) Filed: **Jan. 8, 2016**
- (51) **LOC (10) Cl.** **12-15**
- (52) **U.S. Cl.**
USPC **D12/564**
- (58) **Field of Classification Search**
USPC 152/5, 151, 152.1, 167, 208,
152/209.1-209.28, 246, 450, 526, 527,
152/532, 535, 538, 541; D12/145,
D12/500-605, 900-901
CPC B60C 11/00; B60C 2011/0337; B60C
2011/0339; B60C 2011/0386; B60C 3/00;
B60C 3/08; B60C 1/00; B60C 2200/00;
B60C 2200/02; B60C 2200/04; B60C
2200/06; B60C 2200/065; B60C 2200/08;
B60C 2200/10; B60C 2200/12; B60C
2200/14; B60C 7/00; B60C 7/02; B60C
7/04; B60C 7/06; B60C 7/08; B60C 5/00;
B60C 13/00
See application file for complete search history.

(56) **References Cited**
U.S. PATENT DOCUMENTS

D284,364 S	*	6/1986	Nakanishi	D12/565
D287,236 S	*	12/1986	Yonekura	D12/543
D320,772 S	*	10/1991	Hasegawa	D12/555

5,213,641 A	*	5/1993	Tsuda	B60C 11/11 152/209.28
D396,675 S	*	8/1998	Johenning	D12/566
D400,480 S	*	11/1998	Johenning	D12/555
RE37,306 E	*	8/2001	Shirai	B60C 11/03 D12/556
D448,708 S	*	10/2001	Shinoda	D12/544
D452,960 S	*	1/2002	Shinoda	D12/561
D464,613 S	*	10/2002	Weaver	D12/544
D471,151 S	*	3/2003	Otsuji	D12/544
D582,841 S	*	12/2008	Kohara	D12/556
D592,588 S	*	5/2009	Heinen	D12/564
D626,499 S	*	11/2010	Fujita	D12/544
D626,500 S	*	11/2010	Fujita	B60C 11/0311 D12/544
D648,259 S	*	11/2011	Oki	D12/566
D684,922 S	*	6/2013	Scheuren	D12/564
D710,292 S	*	8/2014	Le	D12/564
D724,008 S	*	3/2015	Mathonet	D12/564
D724,009 S	*	3/2015	Niwa	D12/565

(Continued)

Primary Examiner — Manpreet Matharu

Assistant Examiner — Keith Wilson

(74) *Attorney, Agent, or Firm* — Birch, Stewart, Kolasch & Birch, LLP

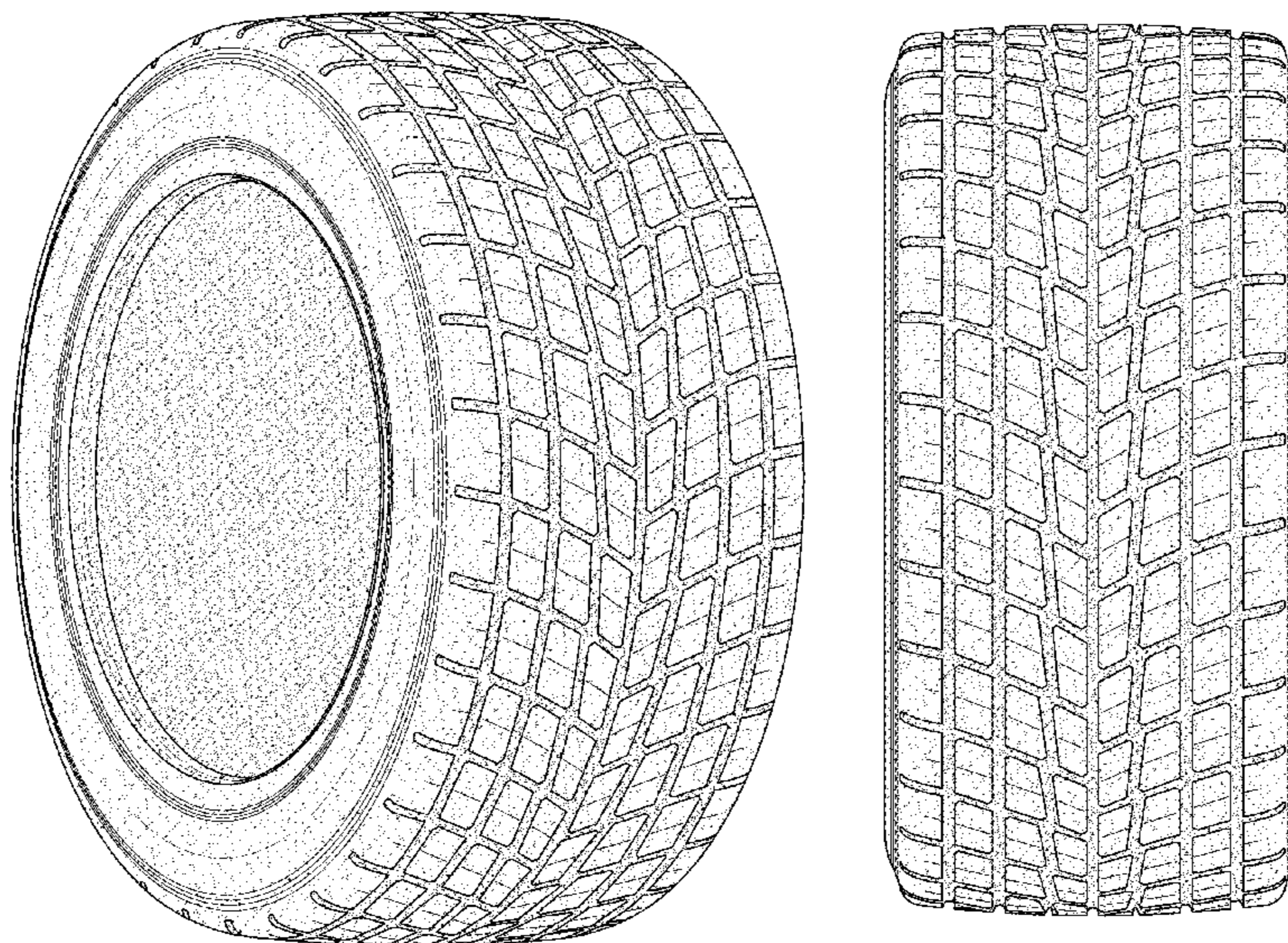
(57) **CLAIM**

The ornamental design for a tire for automobile, as shown and described.

DESCRIPTION

FIG. 1 is a front perspective view of a tire for automobile showing my new design;
 FIG. 2 is a front view thereof;
 FIG. 3 is a left side view thereof;
 FIG. 4 is a rear view thereof;
 FIG. 5 is a right side view thereof; and,
 FIG. 6 is a partial enlarged view of FIG. 2.
 The top view and the bottom view are the same as the front view.

1 Claim, 6 Drawing Sheets



(56)

References Cited

U.S. PATENT DOCUMENTS

D736,143 S * 8/2015 Rizzo D12/536
D756,293 S * 5/2016 Mathonet D12/566
2011/0088821 A1* 4/2011 Imakita B60C 11/1315
152/209.15
2013/0263988 A1* 10/2013 Minoli B60C 11/0316
152/209.19

* cited by examiner

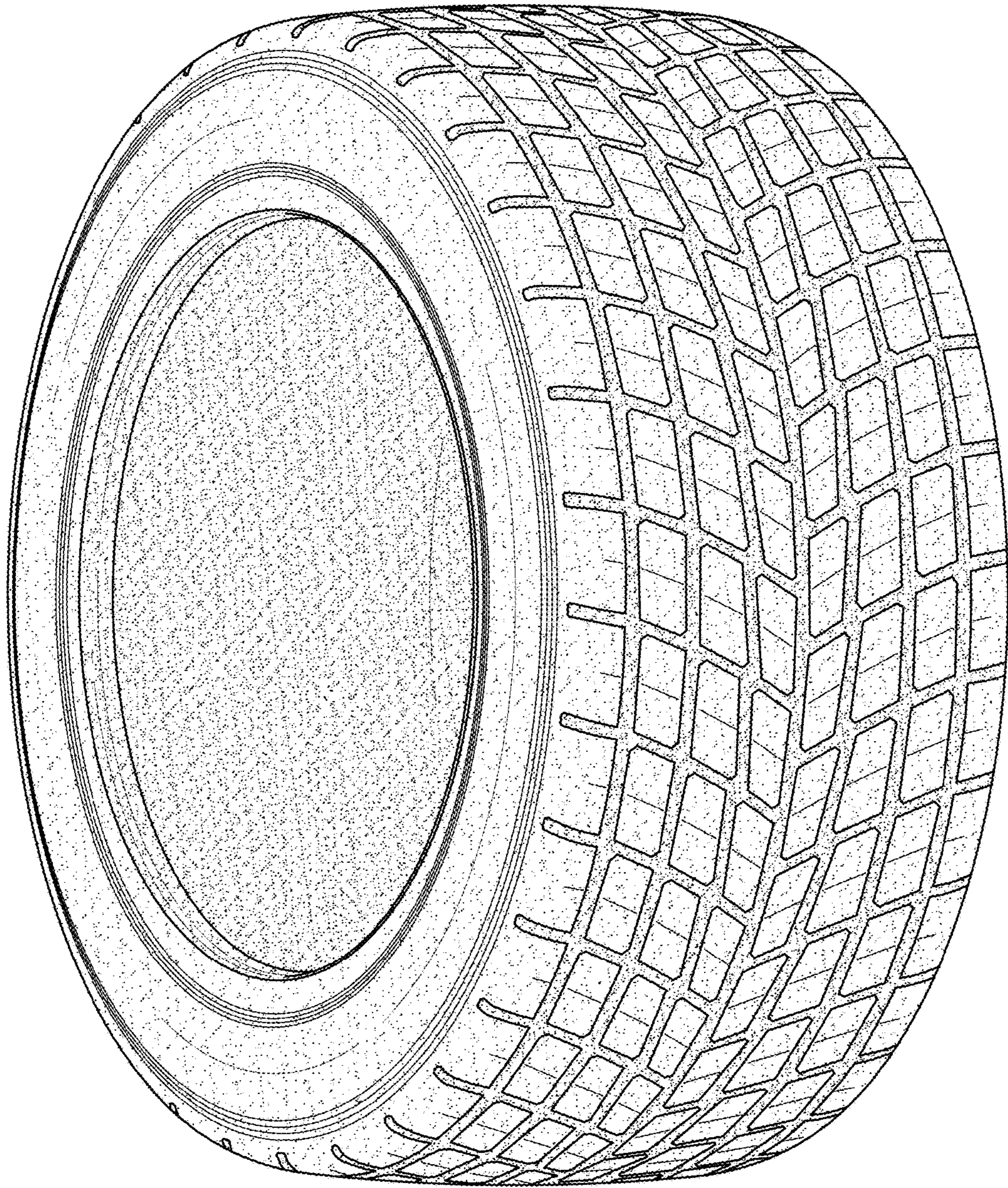


FIG.1

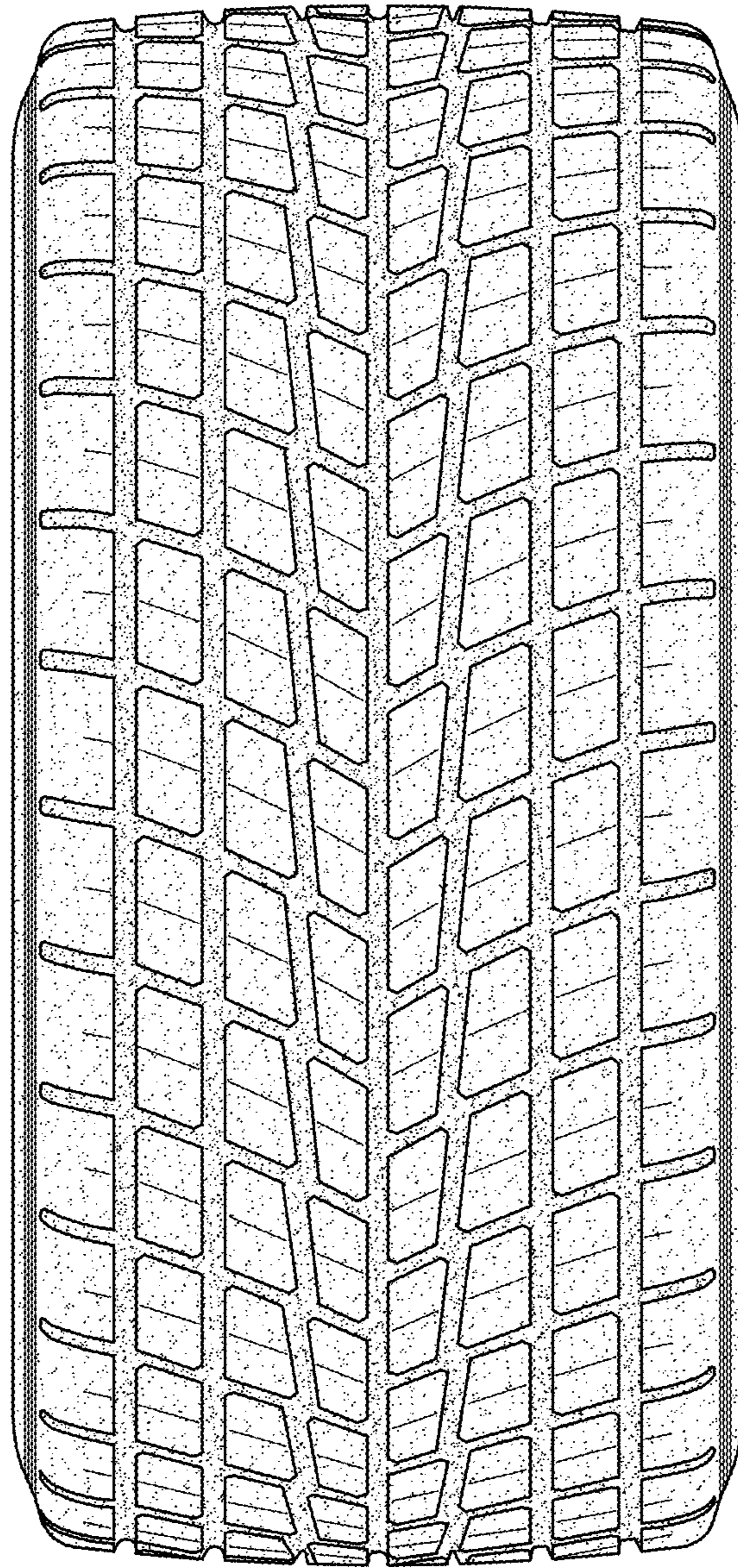


FIG.2

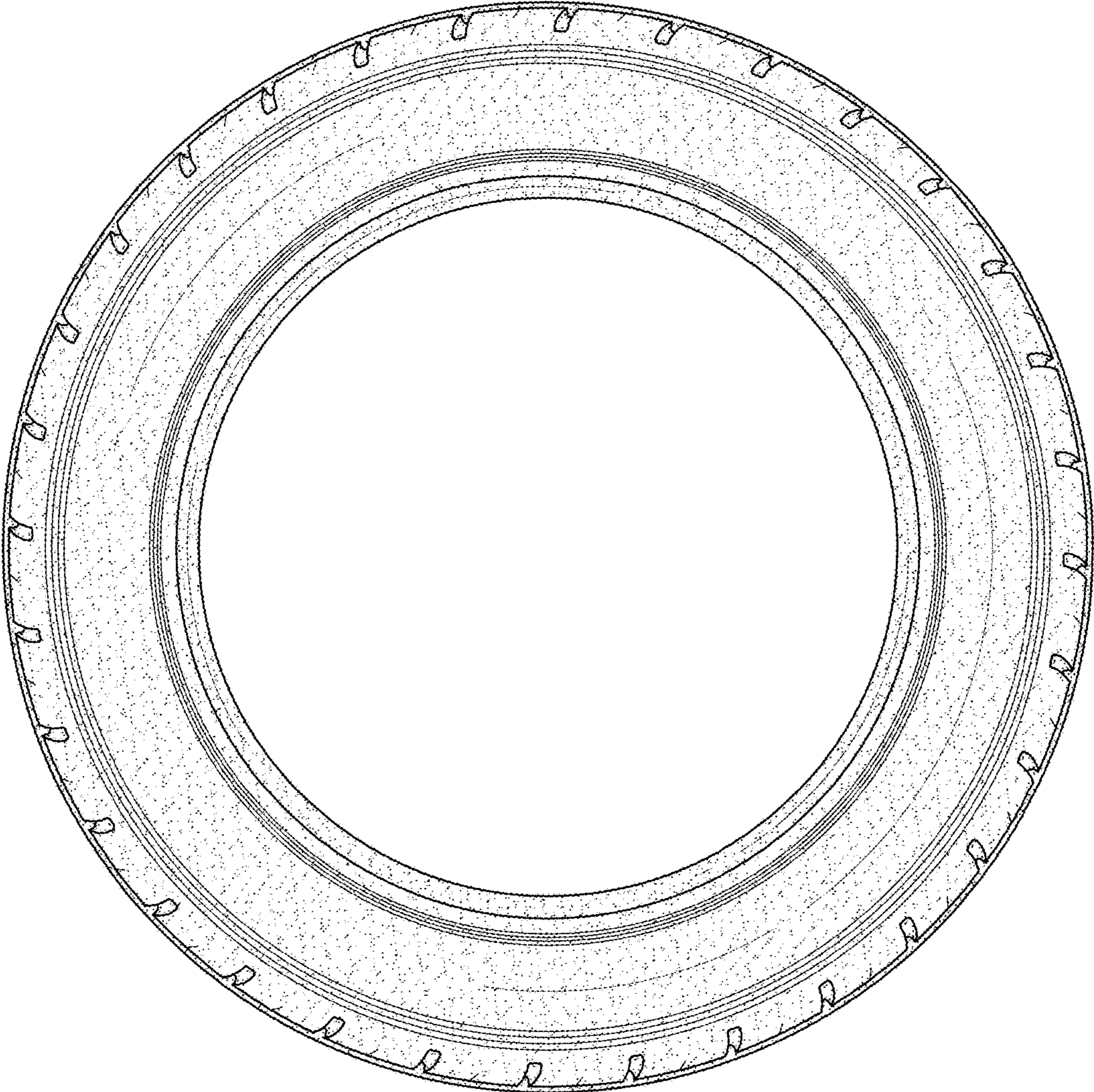


FIG.3

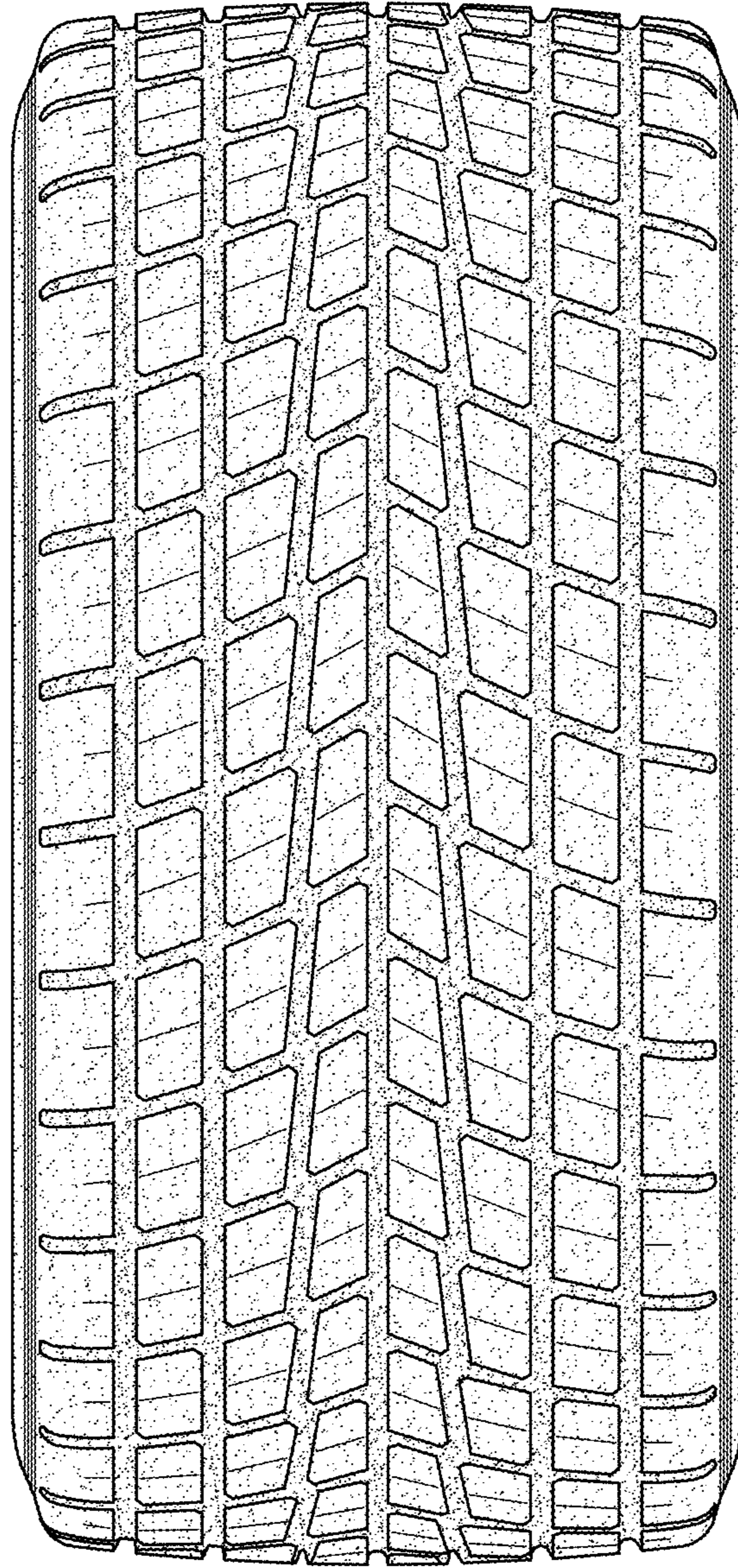


FIG.4

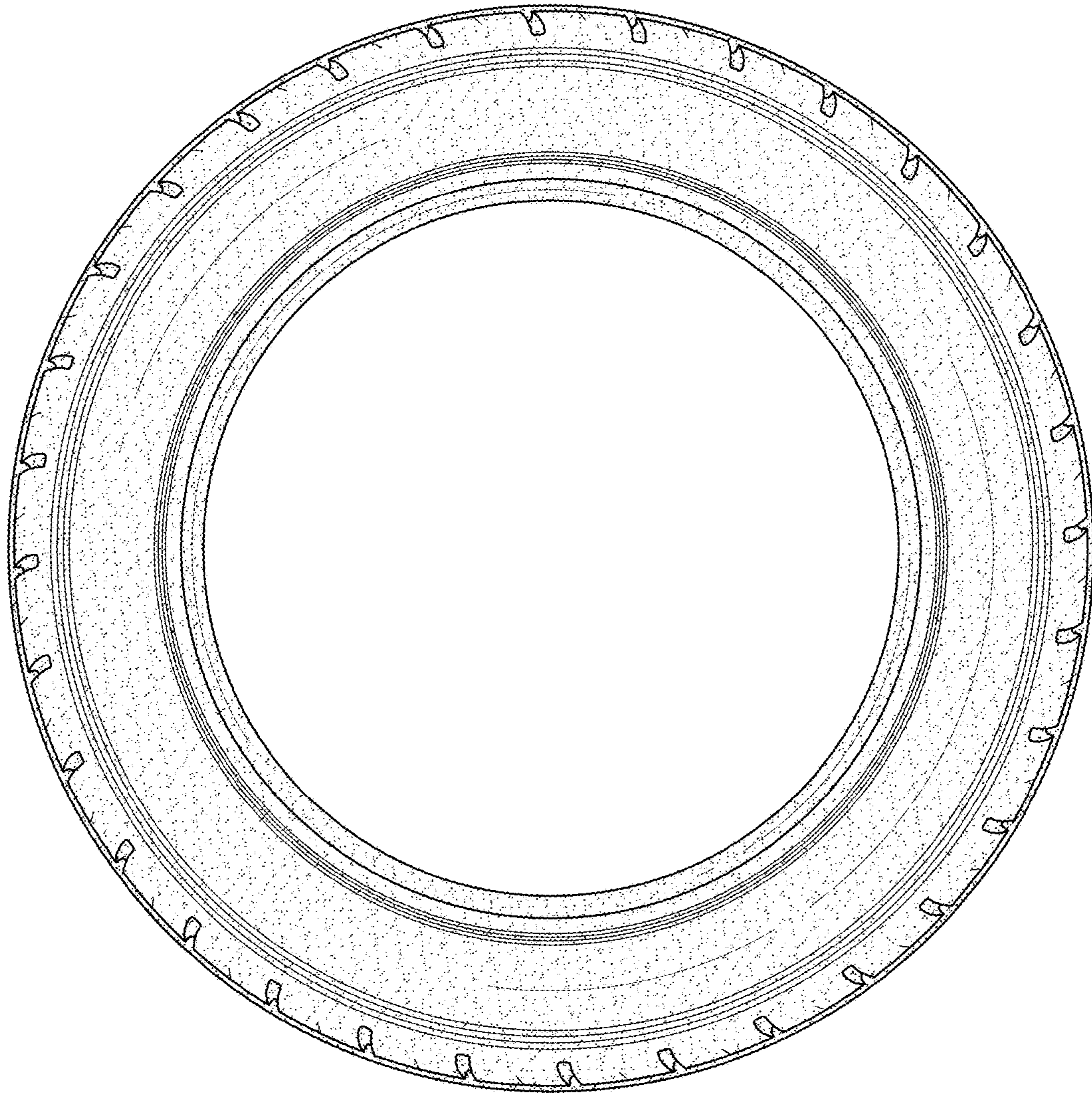


FIG.5

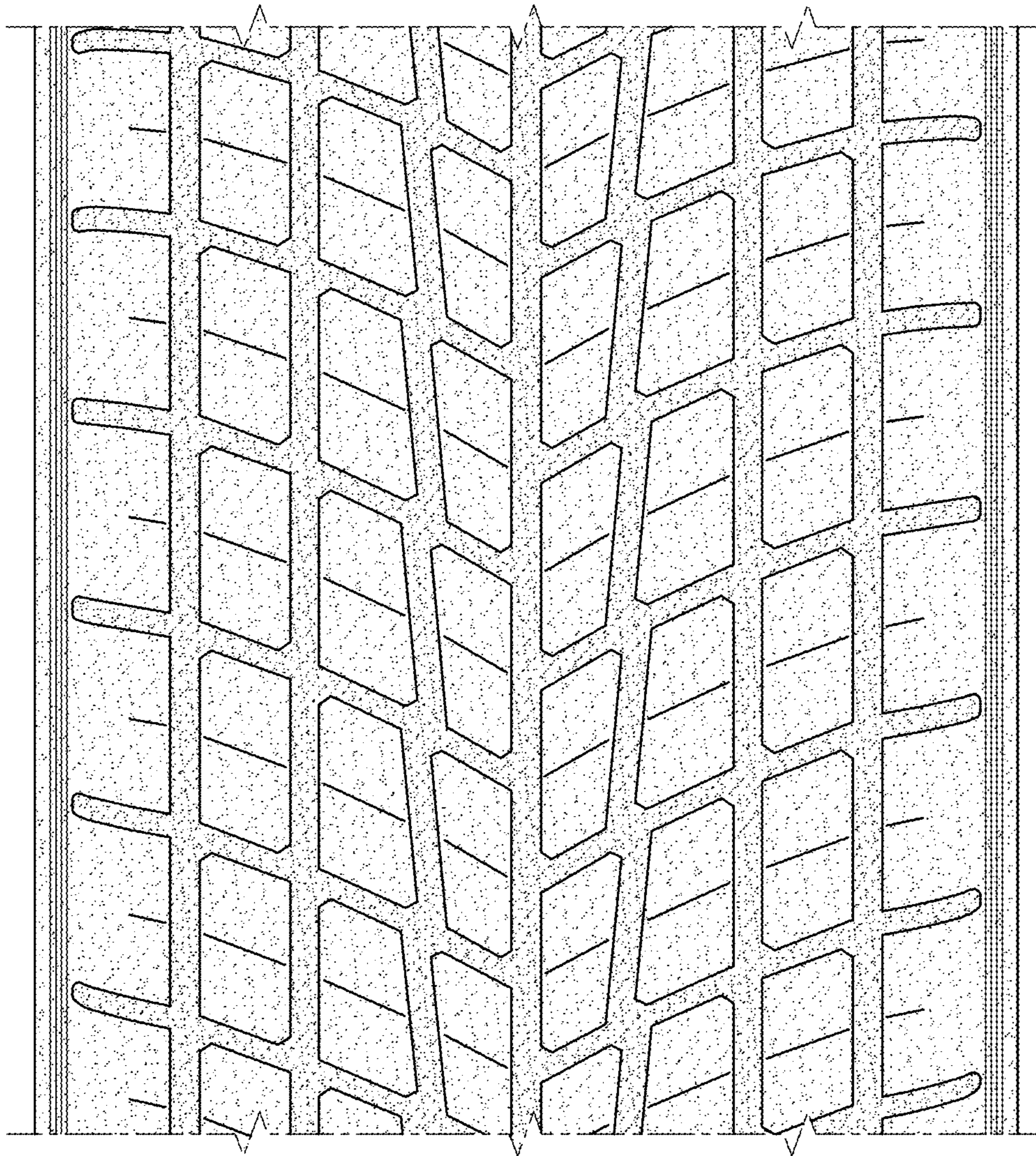


FIG.6