



US00D780665S

(12) **United States Design Patent**  
**Blincow**

(10) **Patent No.:** **US D780,665 S**  
(45) **Date of Patent:** **\*\* Mar. 7, 2017**

- (54) **SPACE STATION**
- (71) Applicant: **John Jeffrey Blincow**, Alta Loma, CA (US)
- (72) Inventor: **John Jeffrey Blincow**, Alta Loma, CA (US)
- (\*\*) Term: **14 Years**
- (21) Appl. No.: **29/517,698**
- (22) Filed: **Feb. 16, 2015**
- (51) **LOC (10) Cl.** ..... **12-07**
- (52) **U.S. Cl.**  
USPC ..... **D12/320**
- (58) **Field of Classification Search**  
USPC ..... D25/1, 4, 12, 15, 16-18, 21, 31-34, 56, D25/10, 22, 61, 19, 30; D21/837; 52/86, 52/73-78, 79.1, 79.5; D12/320; 244/172.4, 159.4, 158.4, 12.2  
CPC ..... E04B 7/08; E04B 1/3205; E04B 1/3416; E04B 1/3408; E04H 15/36; E04H 1/1205-1/14; E04H 1/02; E04H 3/08; E04H 3/04; E04H 3/02; E04H 1/005; E04H 1/12; E04H 15/008; B64G 1/646; B64G 1/12; B64G 1/1078; B64G 1/1092  
See application file for complete search history.

- 3,332,640 A \* 7/1967 Nesheim ..... B64G 1/12 244/159.5
- 3,478,986 A \* 11/1969 Fogarty ..... B64G 1/12 244/1 R
- 3,744,739 A \* 7/1973 Weaver ..... B64G 1/646 244/172.4
- 4,068,419 A \* 1/1978 Decoppet ..... E04H 7/14 182/128
- 4,156,994 A \* 6/1979 Steuer ..... E04H 6/005 312/202
- D253,781 S \* 12/1979 Engalitcheff, Jr. .... D25/18
- 4,735,382 A \* 4/1988 Pinson ..... B64G 1/426 244/172.7
- 4,807,830 A \* 2/1989 Horton ..... B64C 39/001 244/12.2
- 5,152,478 A \* 10/1992 Cycon ..... B64C 27/10 244/12.2
- 5,305,970 A \* 4/1994 Porter ..... B64G 1/402 244/135 R
- 5,653,404 A \* 8/1997 Ploshkin ..... B63G 8/00 244/12.2
- 6,045,094 A \* 4/2000 Rivera ..... B64G 1/12 244/159.4
- D430,530 S \* 9/2000 Milde, Jr. .... D12/320

(Continued)

*Primary Examiner* — Susan Bennett Hattan  
*Assistant Examiner* — Brett Miller

(57) **CLAIM**

The ornamental design for a space station, as shown and described.

**DESCRIPTION**

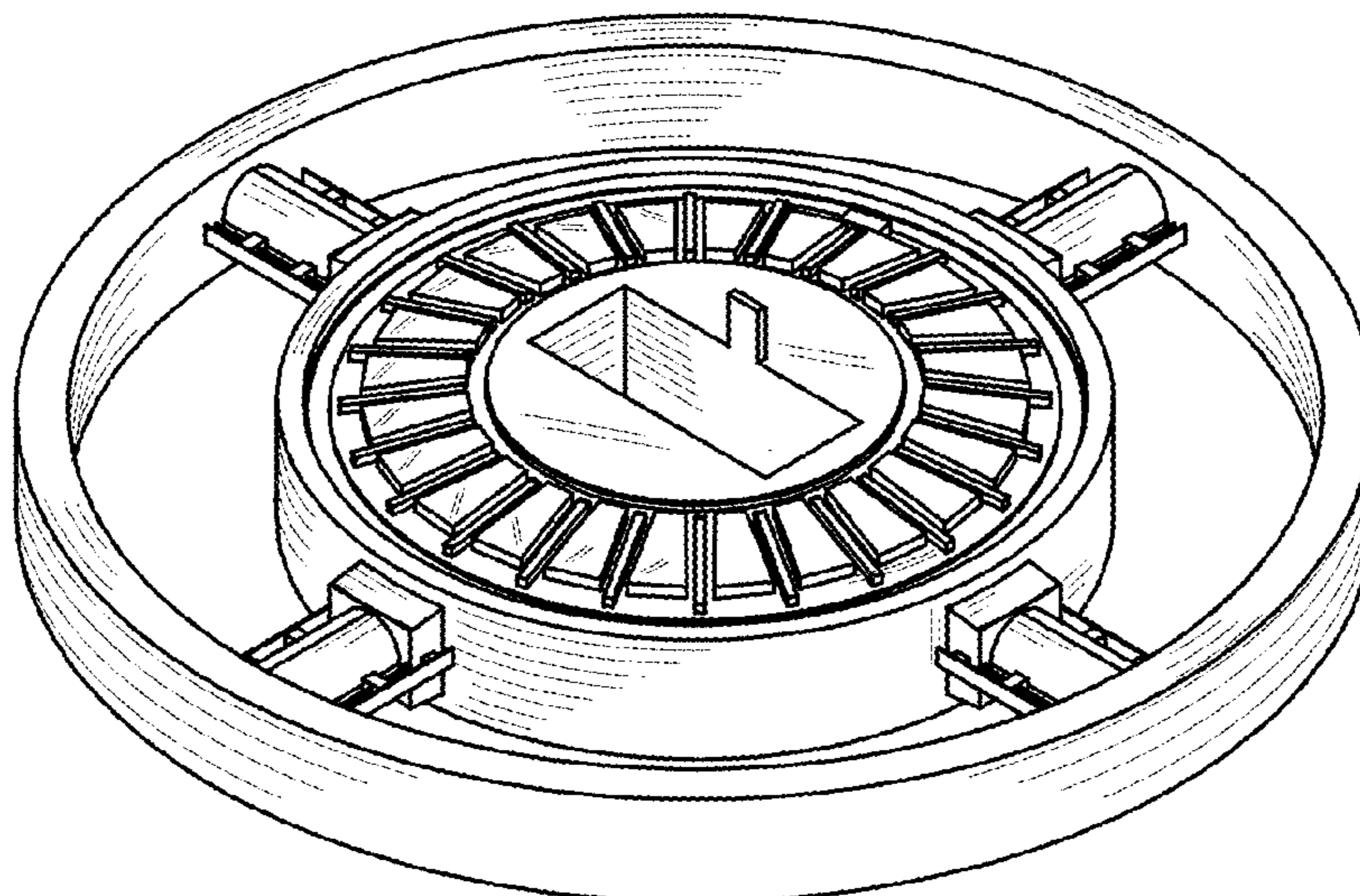
FIG. 1 is a front view of a space station;  
FIG. 2 is a rear view thereof;  
FIG. 3 is a left-side view thereof;  
FIG. 4 is a right-side view thereof;  
FIG. 5 is a top plan view thereof;  
FIG. 6 is a bottom plan view thereof; and,  
FIG. 7 is a perspective view thereof.

**1 Claim, 7 Drawing Sheets**

(56) **References Cited**

U.S. PATENT DOCUMENTS

- 3,144,219 A \* 8/1964 Schnitzer ..... B64G 1/16 244/158.3
- 3,169,725 A \* 2/1965 Berglund ..... B64G 1/12 244/155 R
- 3,246,431 A \* 4/1966 Faerber ..... E04B 1/346 52/236.2
- 3,300,162 A \* 1/1967 Maynard ..... B64G 1/12 244/1 R



(56)

**References Cited**

U.S. PATENT DOCUMENTS

6,206,328	B1 *	3/2001	Taylor	.....	B64G 1/12 244/159.6
D471,507	S *	3/2003	Brunner	.....	D12/325
6,857,245	B2 *	2/2005	Choi	.....	E04H 3/02 52/79.1
7,536,831	B2 *	5/2009	Ratliff	.....	E04B 1/3465 52/234
7,856,772	B1 *	12/2010	Culp	.....	A47B 47/042 52/79.5
9,074,364	B2 *	7/2015	Fisher	.....	E04H 1/04
2015/0108280	A1 *	4/2015	Willard, Jr.	.....	B64G 1/12 244/171.9
2015/0329223	A1 *	11/2015	Biddlecom	.....	B64G 1/12 244/171.9

\* cited by examiner

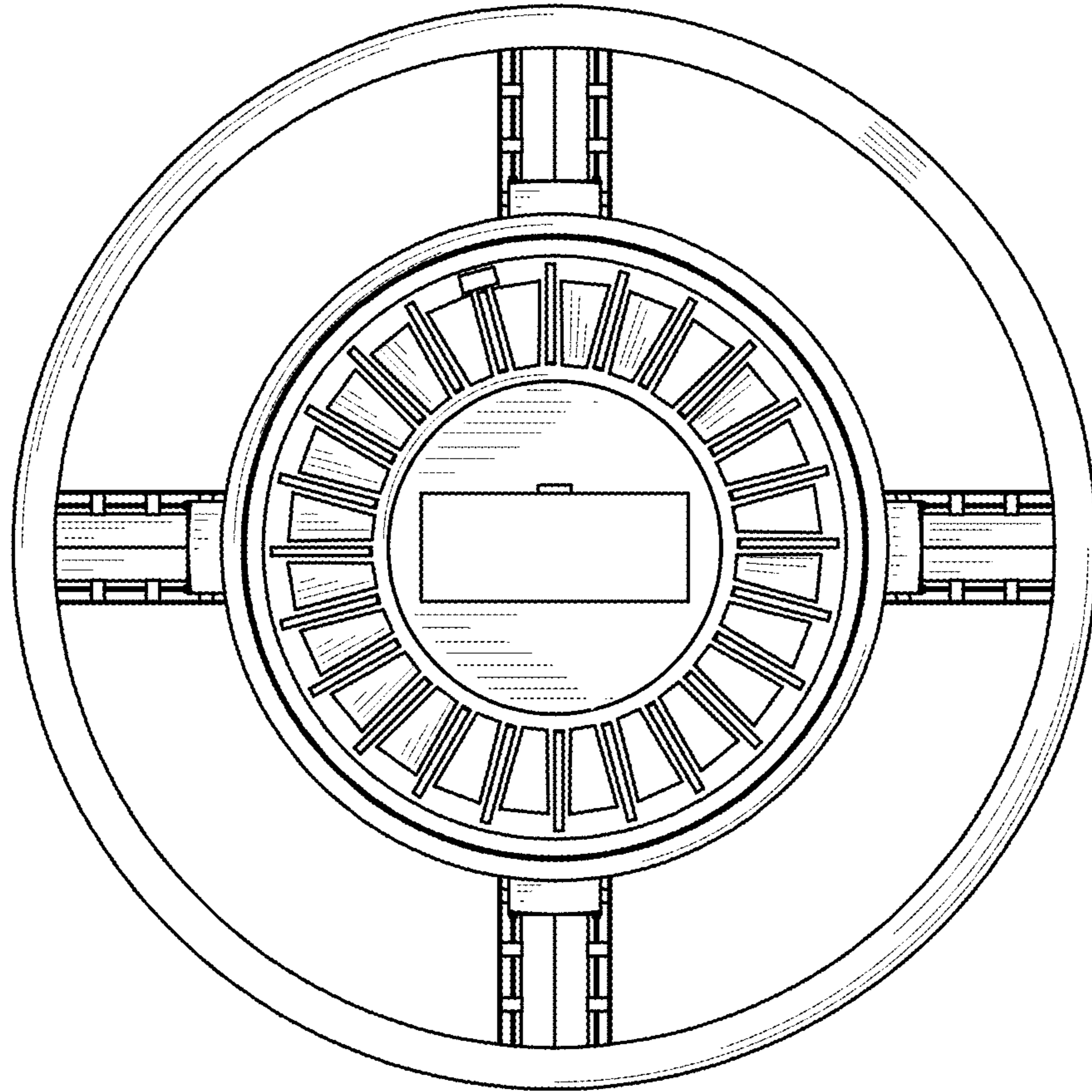


FIG.1

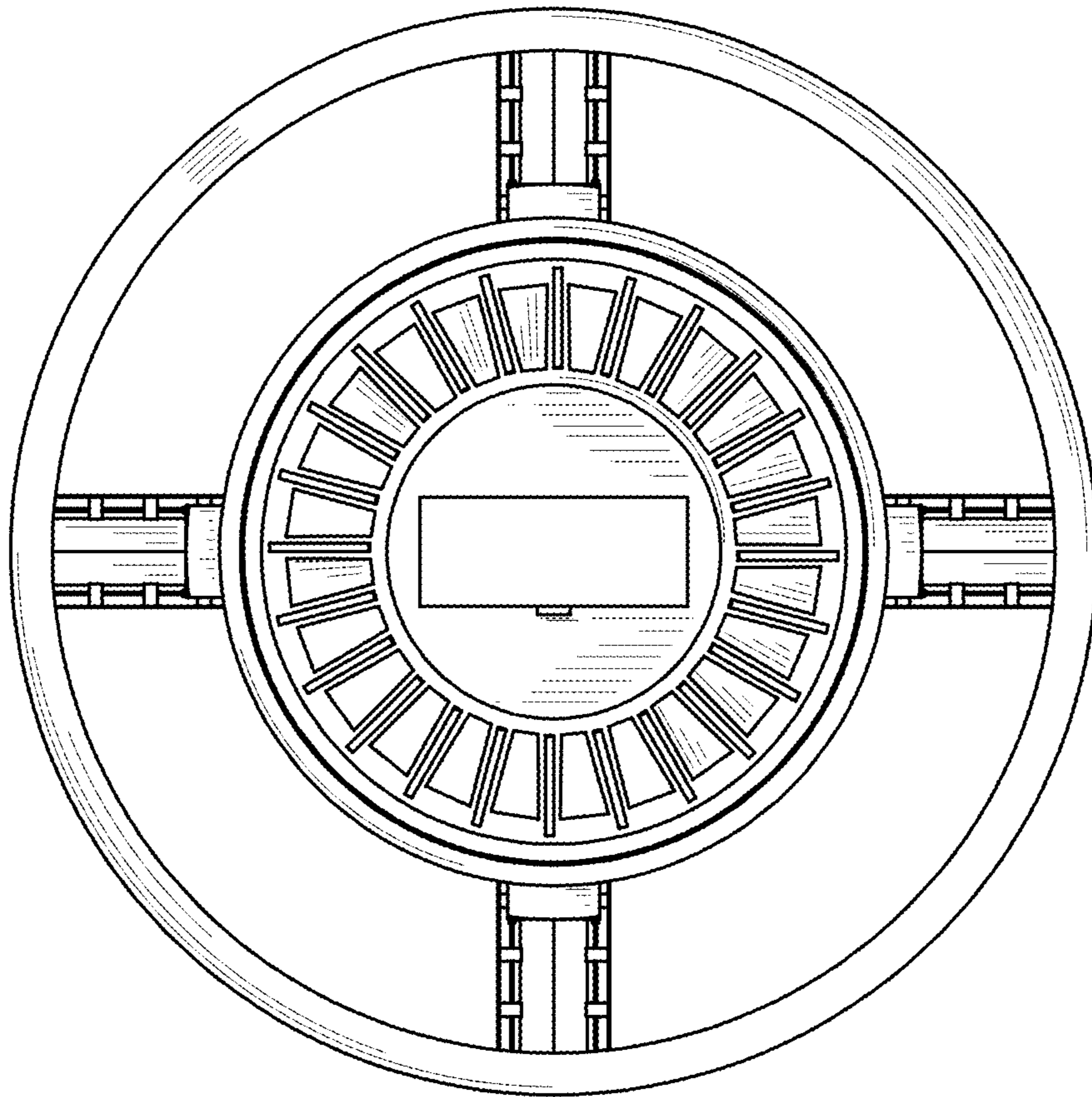


FIG.2



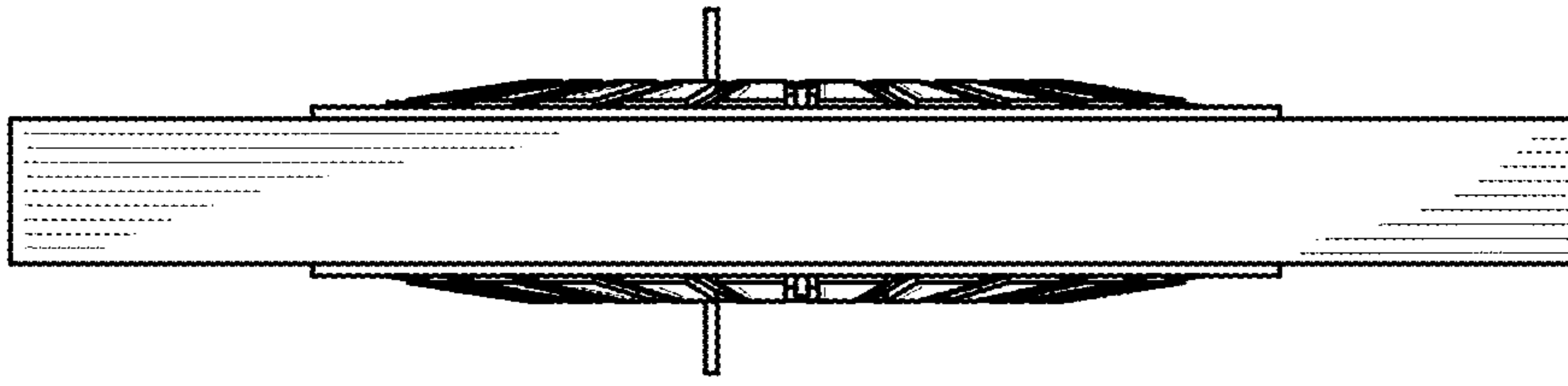


FIG.3

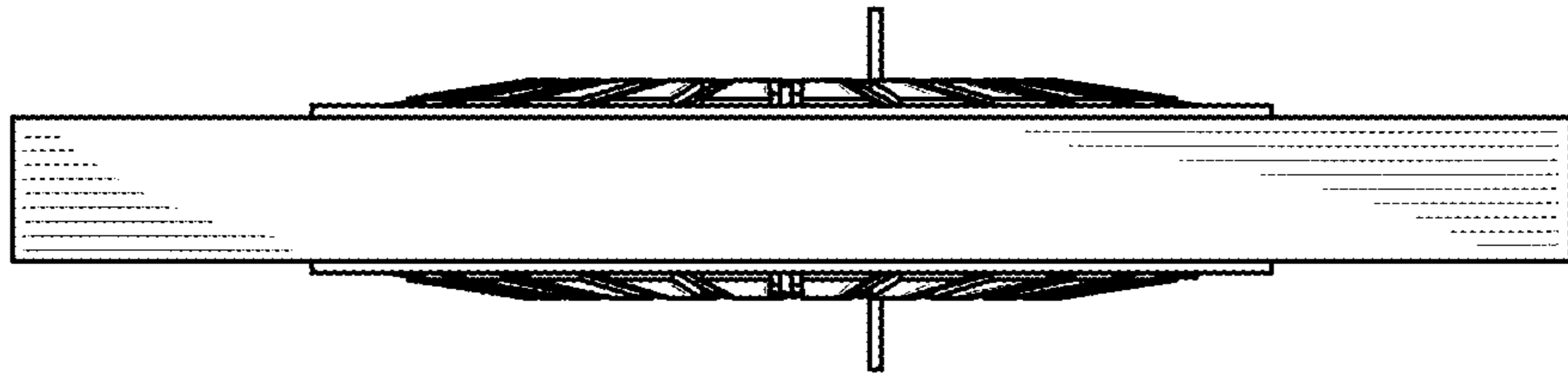


FIG.4

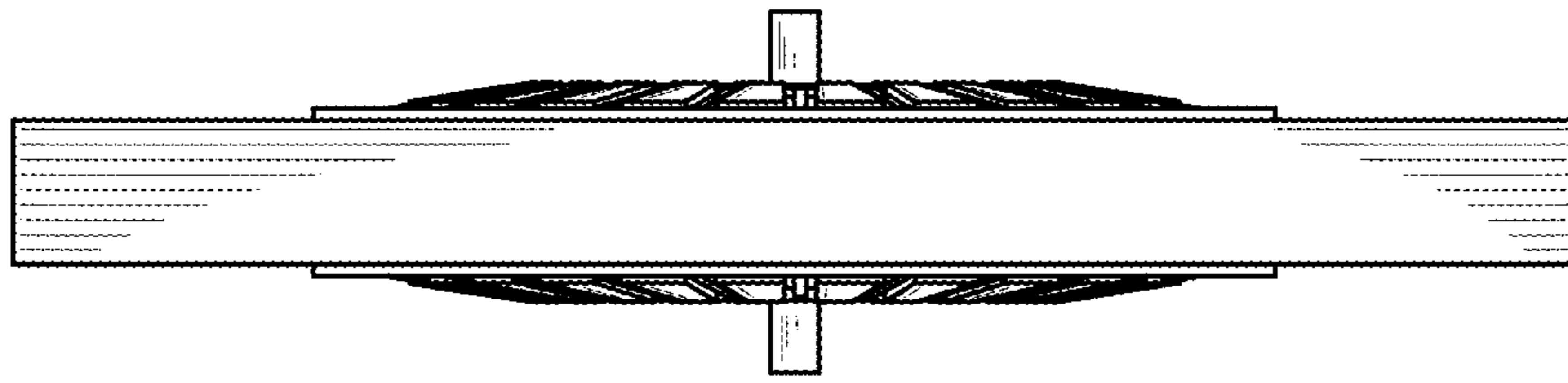


FIG.5

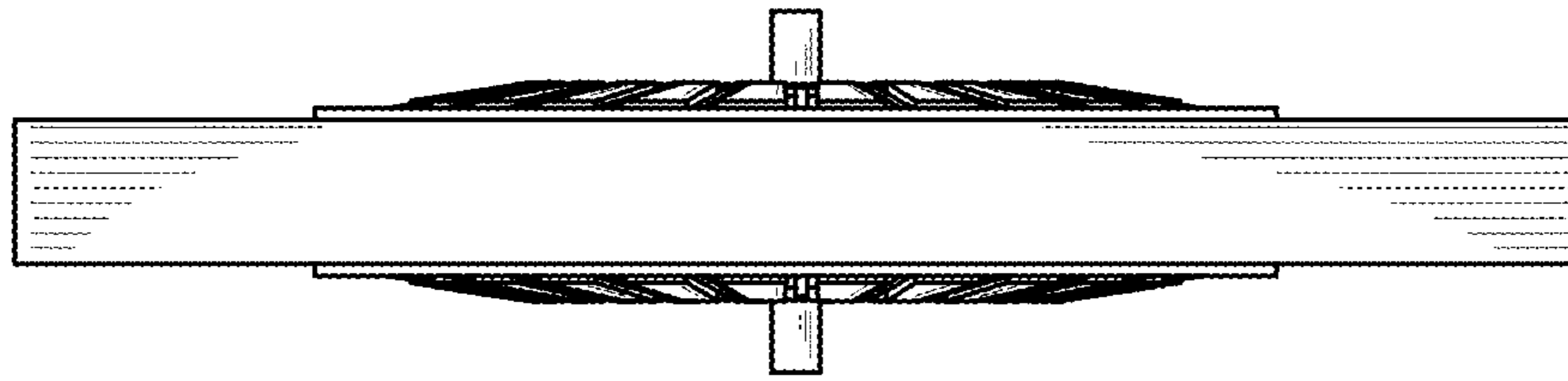


FIG.6



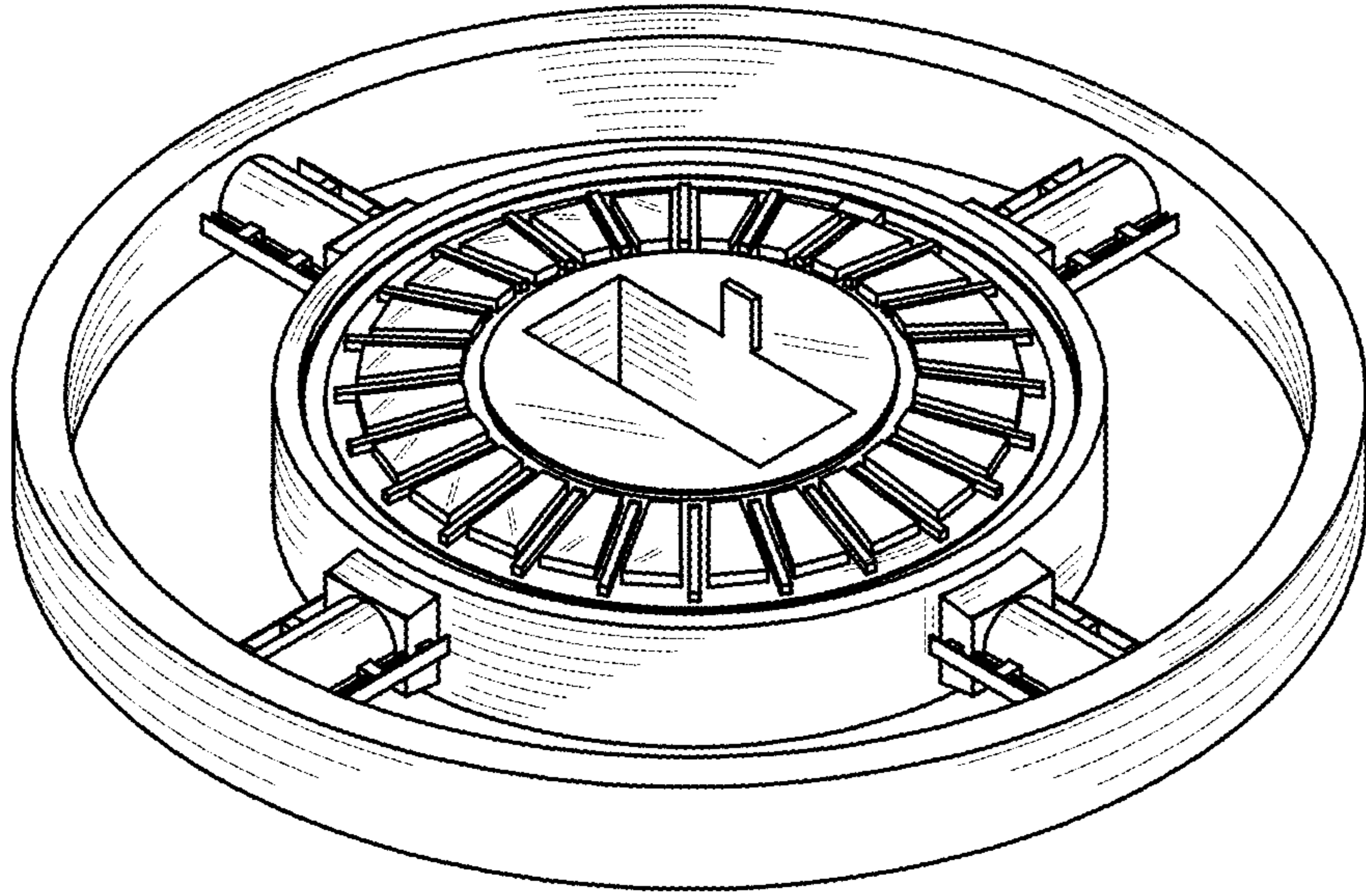


FIG.7