



US00D780664S

(12) **United States Design Patent**
Gallert

(10) **Patent No.:** **US D780,664 S**
(45) **Date of Patent:** **** Mar. 7, 2017**

- (54) **WHEEL FOR MOTOR VEHICLE**
- (71) Applicant: **Dr. Ing. h.c. F. Porsche**
Aktiengesellschaft, Stuttgart (DE)
- (72) Inventor: **Michael Gallert, Stuttgart (DE)**
- (73) Assignee: **Dr. Ing. h.c. F. Porsche**
Aktiengesellschaft, Stuttgart (DE)
- (**) Term: **15 Years**
- (21) Appl. No.: **29/561,549**
- (22) Filed: **Apr. 18, 2016**

- D656,879 S 4/2012 Gallert
- D664,910 S 8/2012 Gallert
- D684,517 S 6/2013 Scheinhütte
- D684,912 S 6/2013 Yamashita
- D685,708 S 7/2013 Gallert
- D686,132 S 7/2013 Truebsbach
- D686,135 S 7/2013 Borkert
- D686,554 S 7/2013 Pollmann
- D688,181 S 8/2013 Gotschke
- D691,081 S 10/2013 Watkin
- D697,859 S 1/2014 Borkert
- D697,860 S 1/2014 Borkert
- D698,719 S 2/2014 Saracoglu
- D700,124 S 2/2014 Gallert
- D702,613 S 4/2014 Scheinhütte
- D703,124 S 4/2014 Gallert
- D705,151 S 5/2014 Scheinhütte
- D708,110 S 7/2014 Borkert
- D710,780 S 8/2014 Borkert

Related U.S. Application Data

- (63) Continuation of application No. 29/502,163, filed on Sep. 12, 2014, now abandoned.

Foreign Application Priority Data

- Mar. 14, 2014 (DE) 40 2014 100 244

- (51) **LOC (10) Cl.** **12-16**
- (52) **U.S. Cl.**
USPC **D12/211**

- (58) **Field of Classification Search**
USPC D12/204-213; 301/37.101, 64.101, 65
See application file for complete search history.

(56) **References Cited**

U.S. PATENT DOCUMENTS

- D428,846 S 8/2000 Yoshida
- D604,220 S 11/2009 Penano
- D604,223 S 11/2009 Dilber
- D620,417 S 7/2010 Gallert
- D634,688 S 3/2011 Saracogiu
- D648,255 S 11/2011 Scheinhütte

(Continued)

OTHER PUBLICATIONS

Notice of Allowance for U.S. Appl. No. 29/502,163, dated Apr. 20, 2016, 14 pages.

Primary Examiner — Ian Simmons
Assistant Examiner — Samantha Q Lawrence
(74) *Attorney, Agent, or Firm* — RatnerPrestia

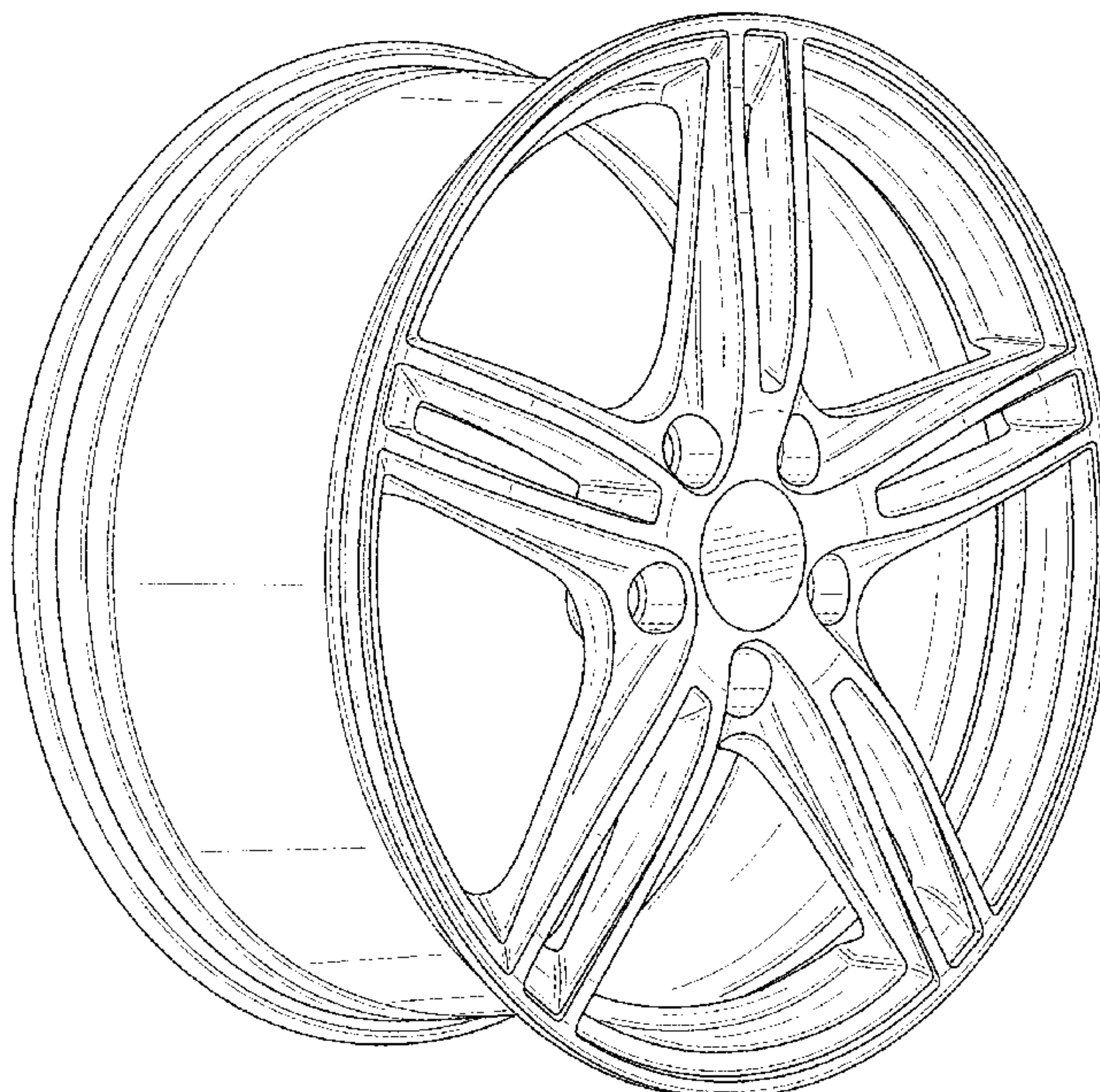
(57) **CLAIM**

The ornamental design for a wheel for a motor vehicle, as shown and described.

DESCRIPTION

FIG. 1 is a perspective view of a wheel for a motor vehicle; FIG. 2 is a side elevation view of the wheel; and, FIG. 3 is a front elevation view of the wheel.

1 Claim, 3 Drawing Sheets



(56)

References Cited

U.S. PATENT DOCUMENTS

D712,329 S	9/2014	Borkert	
D726,623 S	4/2015	Alfonso	
D731,389 S	6/2015	Gotschke	
D764,371 S *	8/2016	Zhao	D12/211

* cited by examiner

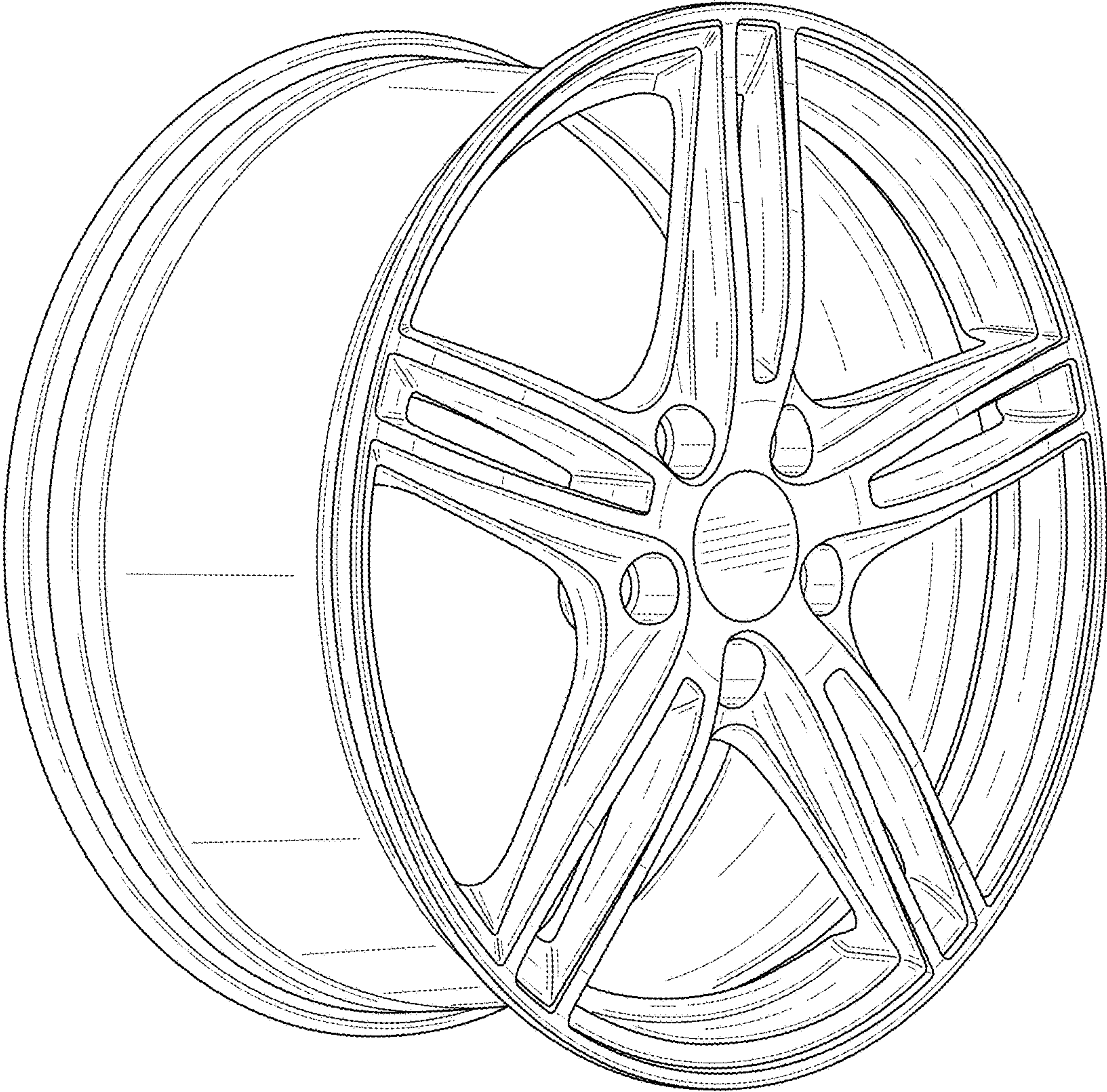


FIG. 1

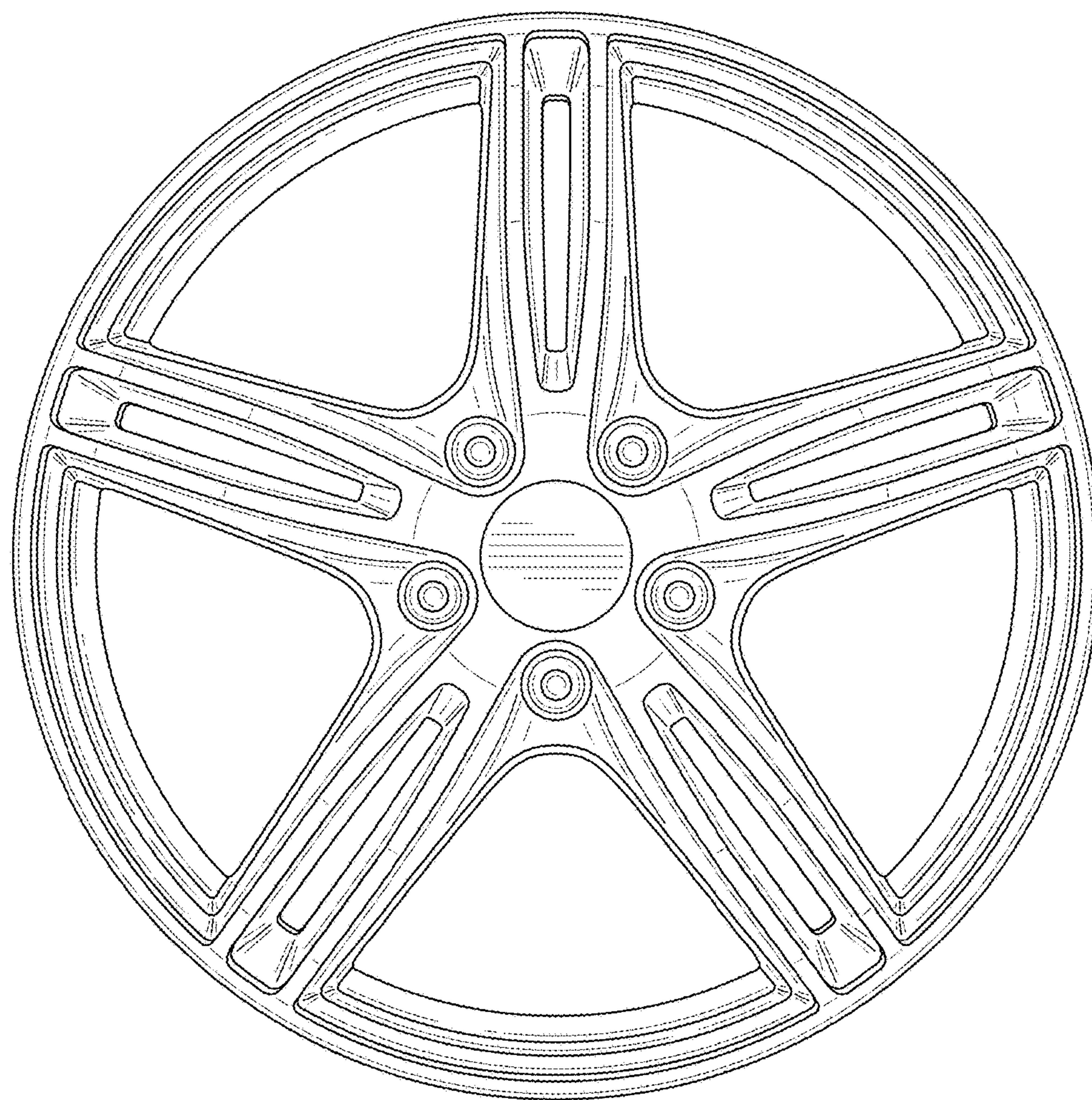


FIG. 2

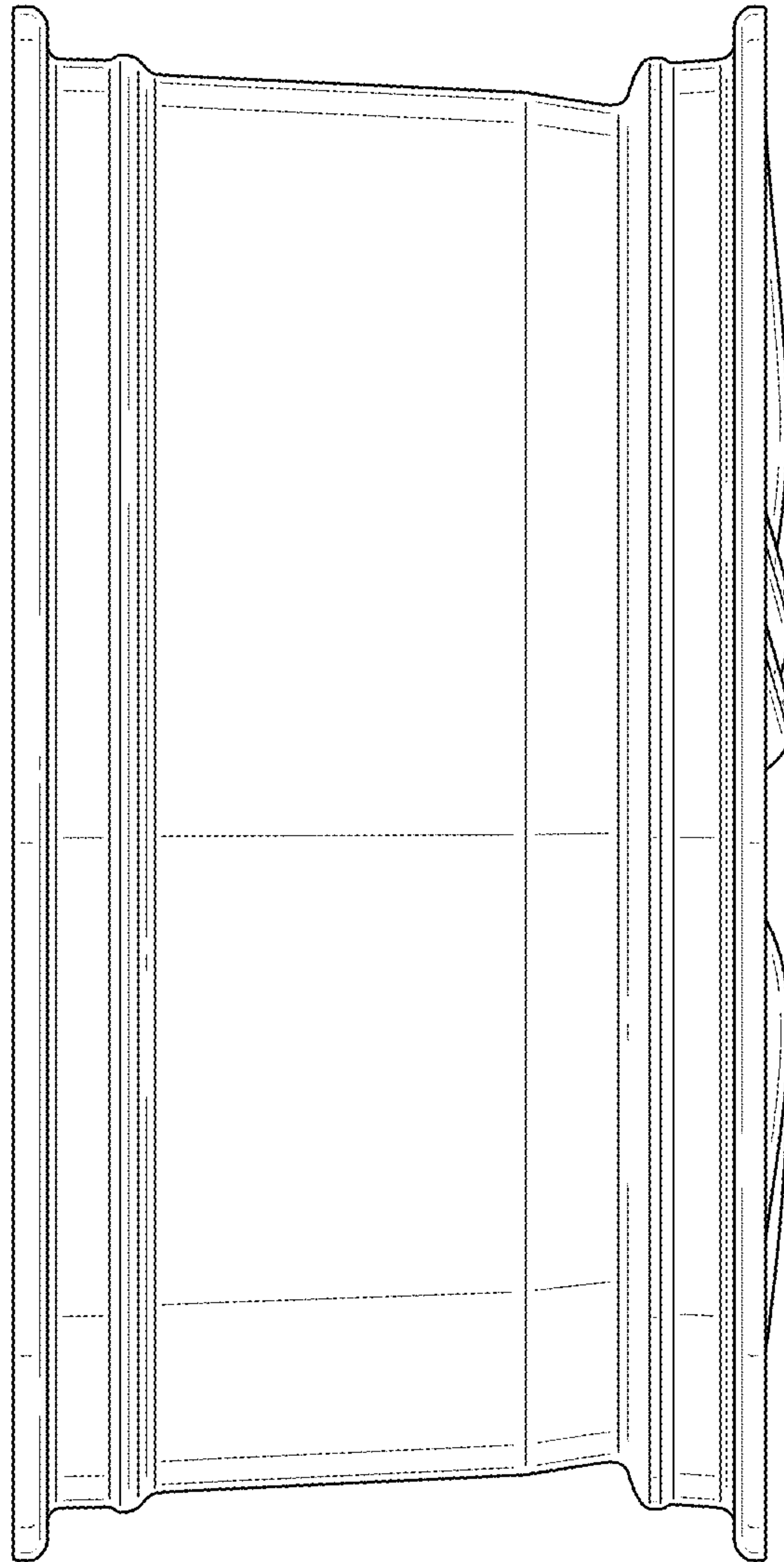


FIG. 3