



US00D780662S

(12) **United States Design Patent**  
**Zhao**

(10) **Patent No.:** **US D780,662 S**

(45) **Date of Patent:** **\*\* Mar. 7, 2017**

(54) **AUTOMOBILE WHEEL**

(71) Applicant: **John Zhao**, Monterey Park, CA (US)

(72) Inventor: **John Zhao**, Monterey Park, CA (US)

(73) Assignee: **WAH HUNG GROUP INC.**, Monterey Park, CA (US)

(\*\*) Term: **15 Years**

(21) Appl. No.: **29/559,403**

(22) Filed: **Mar. 28, 2016**

(51) **LOC (10) Cl.** ..... **12-16**

(52) **U.S. Cl.**  
USPC ..... **D12/211**

(58) **Field of Classification Search**  
USPC ..... D12/204–213  
CPC .... B60B 7/00; B60B 7/02; B60B 7/04; B60B 7/01; B60B 7/06; B60B 3/02; B60B 3/04; B60B 3/06; B60B 3/10; B60B 1/00; B60B 1/08; B60B 1/10; B60B 1/12  
See application file for complete search history.

(56) **References Cited**

**U.S. PATENT DOCUMENTS**

D597,920 S	*	8/2009	Idei	.....	D12/211
D626,489 S	*	11/2010	Laengerer	.....	D12/211
D644,156 S	*	8/2011	Johnson	.....	D12/209
D659,069 S	*	5/2012	Johnson	.....	D12/211

D680,940 S	*	4/2013	Hale, Jr.	.....	D12/211
D686,963 S	*	7/2013	Hale, Jr.	.....	D12/211
D691,542 S	*	10/2013	Chan	.....	D12/209
D691,545 S	*	10/2013	Gordon	.....	D12/211
D706,196 S	*	6/2014	Lee	.....	D12/211
D712,334 S	*	9/2014	Hale, Jr.	.....	D12/211
D717,224 S	*	11/2014	Kim	.....	D12/211
D719,496 S	*	12/2014	Johnson	.....	D12/209
D722,937 S	*	2/2015	Johnson	.....	D12/209
D751,966 S	*	3/2016	Zhao	.....	D12/211
D763,769 S	*	8/2016	Johnson	.....	D12/211
D769,168 S	*	10/2016	Valencia Pollex	.....	D12/211

\* cited by examiner

*Primary Examiner* — Stacia Cadmus

(74) *Attorney, Agent, or Firm* — Adli Law Group P.C.

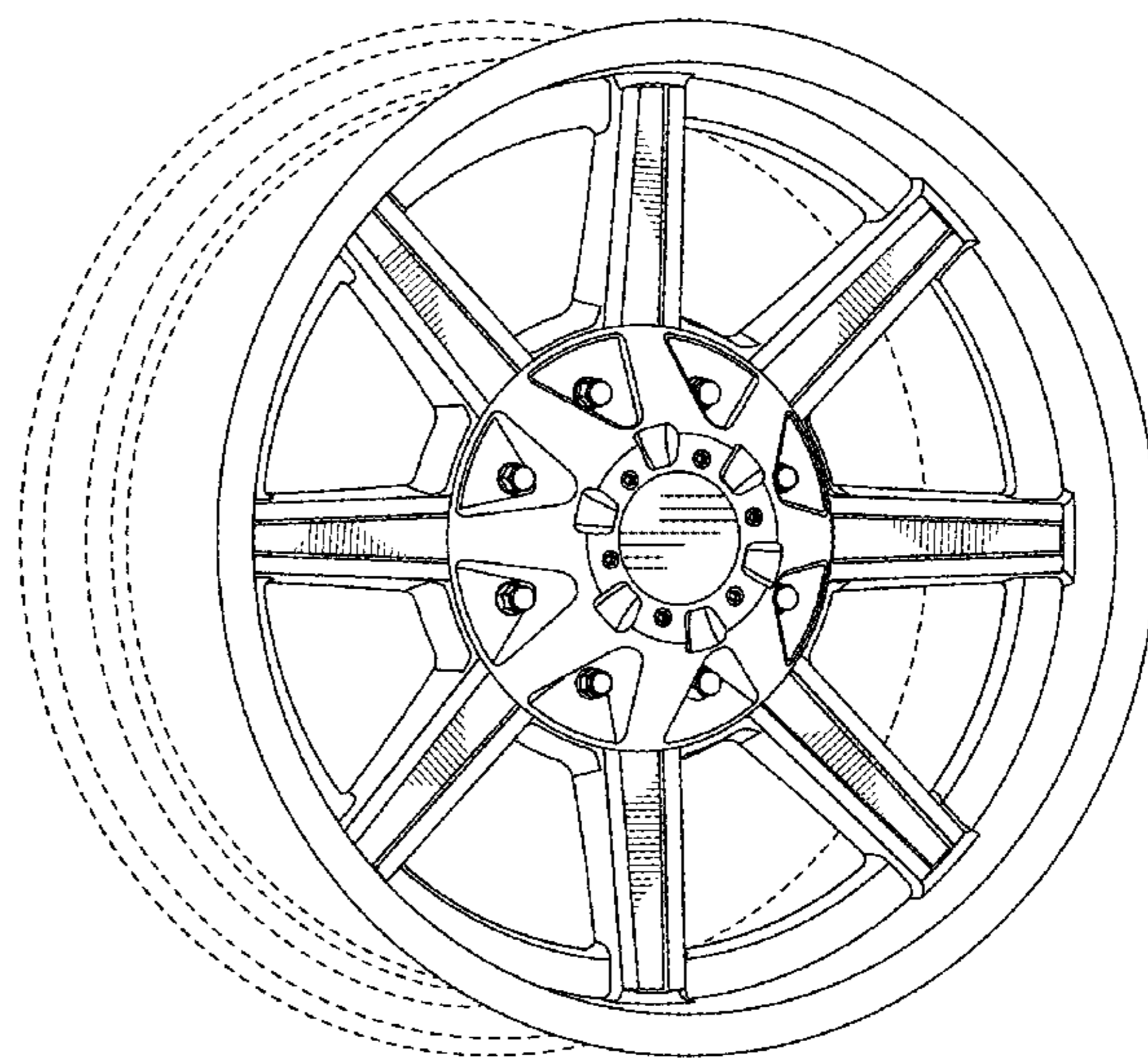
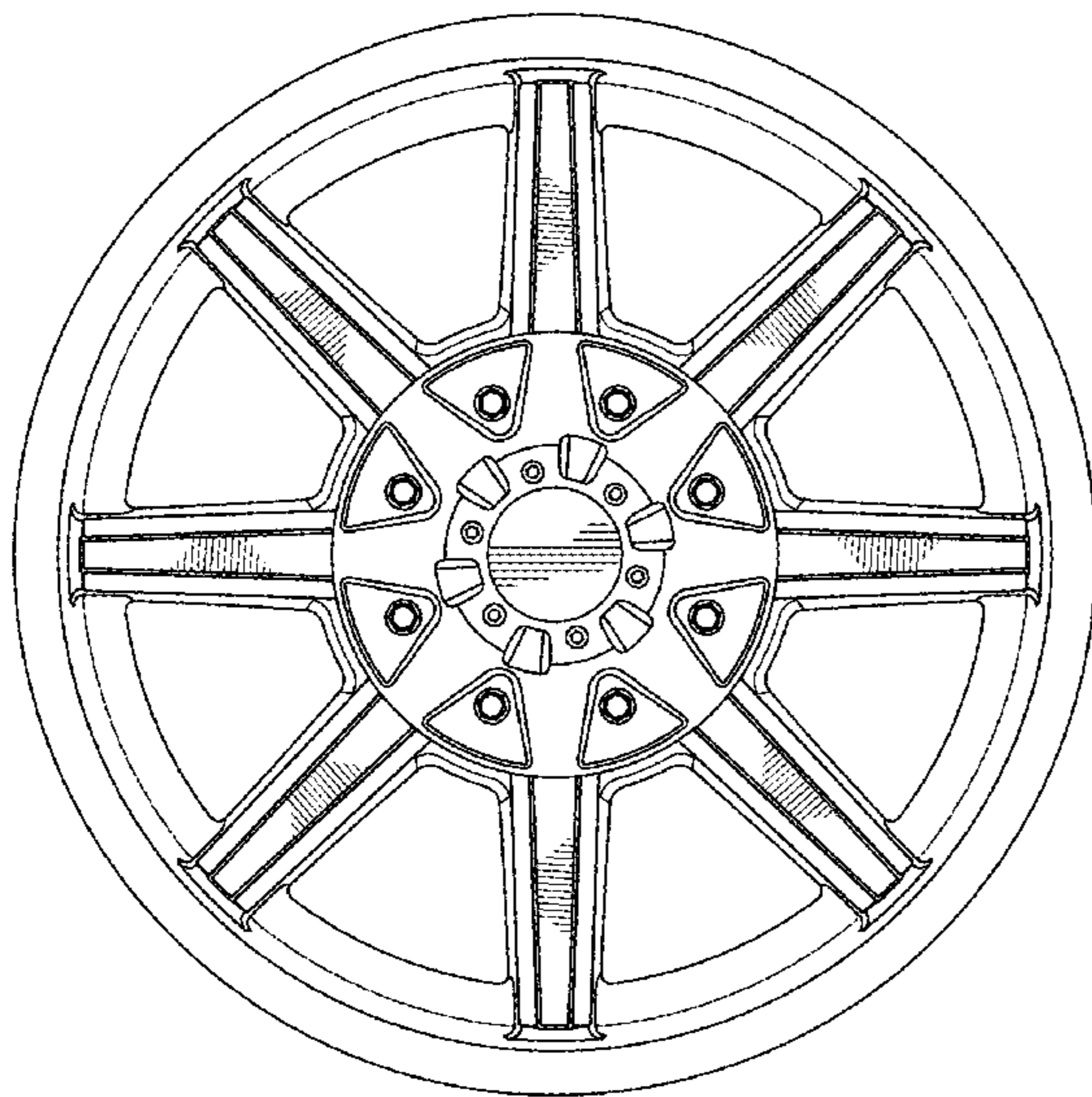
(57) **CLAIM**

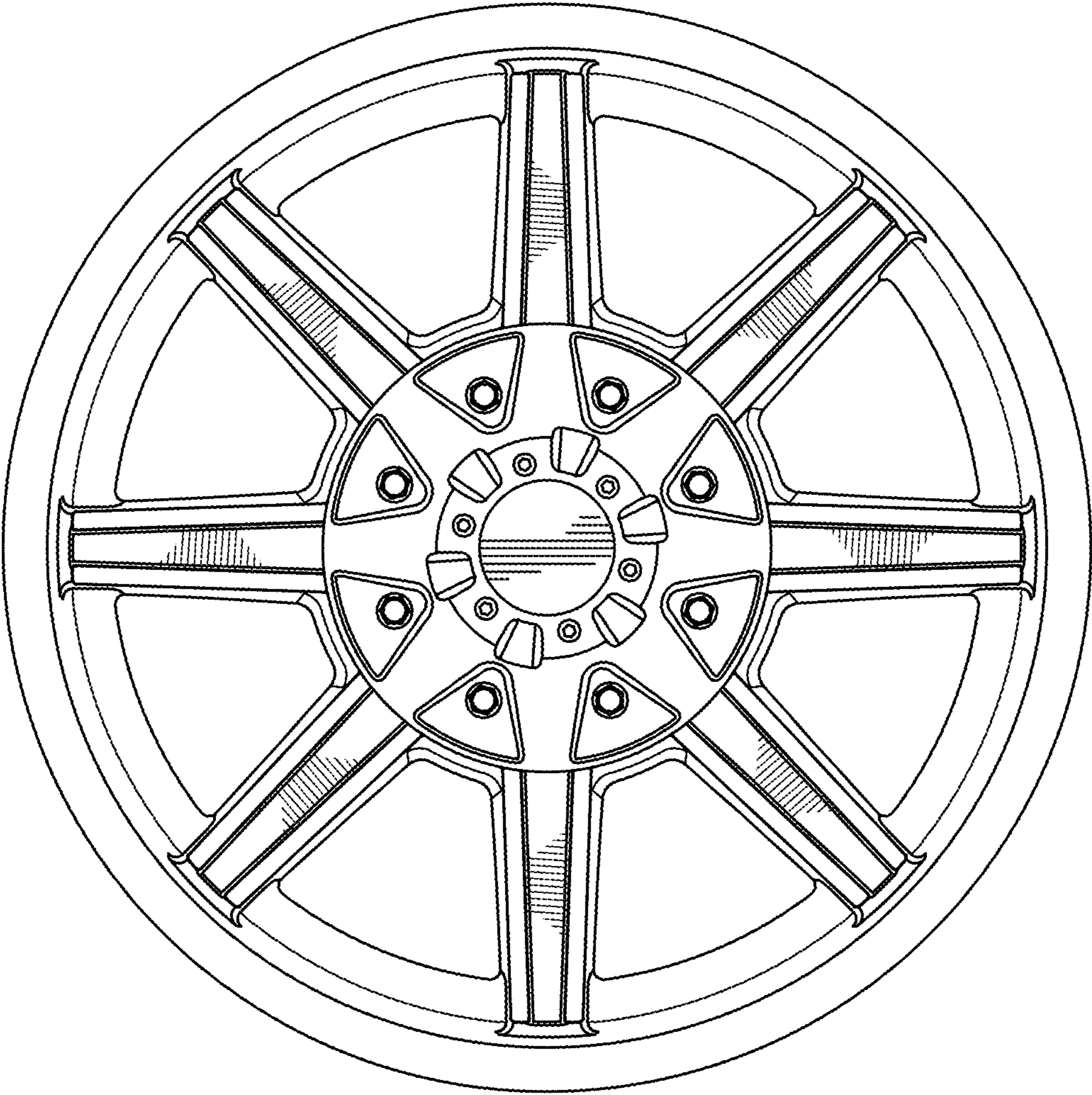
I claim the ornamental design for an automobile wheel, as shown and described.

**DESCRIPTION**

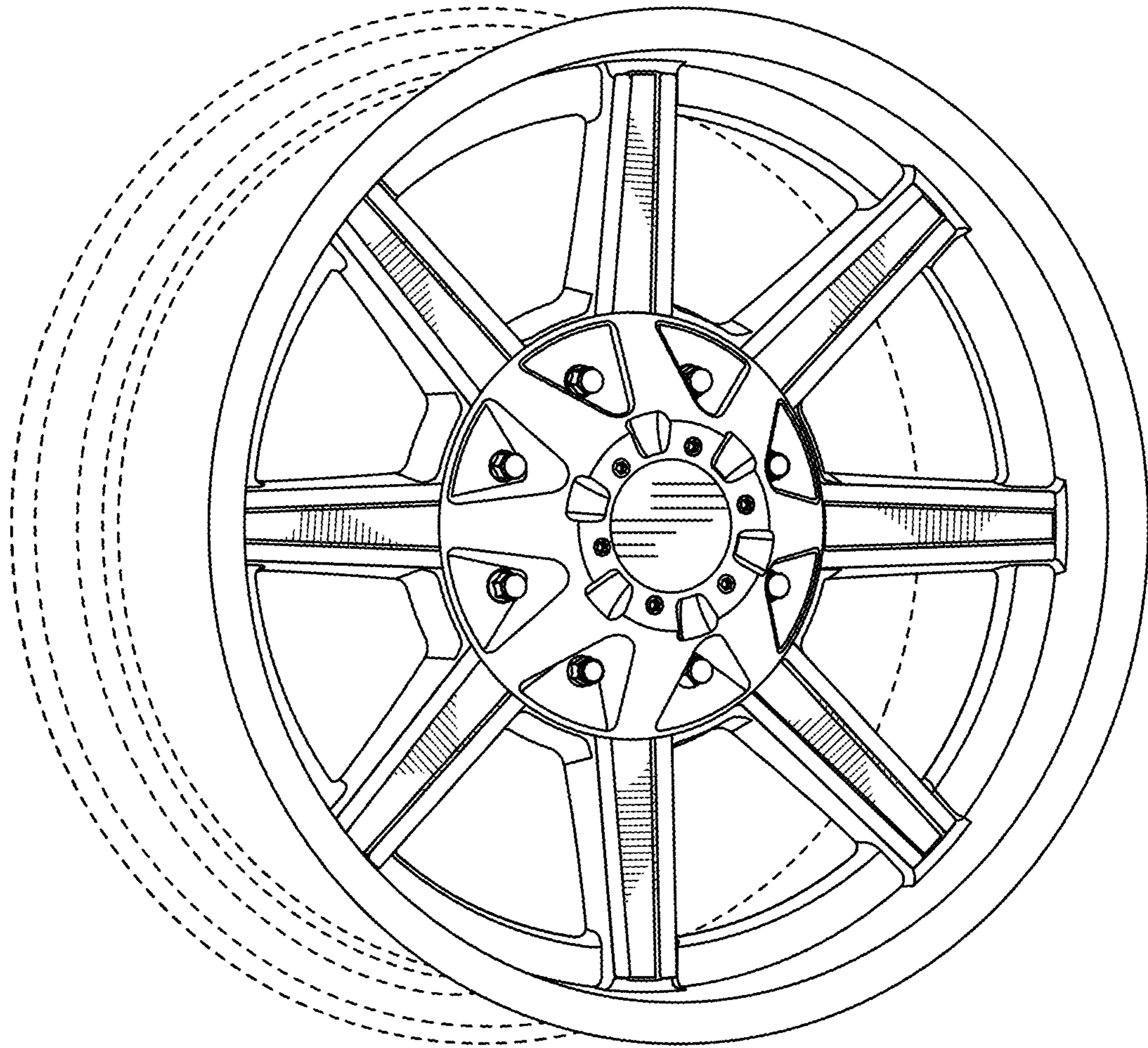
FIG. 1 is a front elevational view of an automobile wheel according to the claimed design; and, FIG. 2 is a perspective view of the automobile wheel according to the claimed design. The broken line showing of the rear of the rim is included for the purpose of illustrating environmental subject matter and forms no part of the claimed design.

**1 Claim, 2 Drawing Sheets**





*FIG. 1*



*FIG.2*