



US00D780661S

(12) **United States Design Patent**  
**Zhao**

(10) **Patent No.:** **US D780,661 S**

(45) **Date of Patent:** **\*\* Mar. 7, 2017**

(54) **AUTOMOBILE WHEEL**

(71) Applicant: **John Zhao**, Monterey Park, CA (US)

(72) Inventor: **John Zhao**, Monterey Park, CA (US)

(73) Assignee: **WAH HUNG GROUP INC.**, Monterey Park, CA (US)

(\*\*) Term: **15 Years**

(21) Appl. No.: **29/559,396**

(22) Filed: **Mar. 28, 2016**

(51) **LOC (10) Cl.** ..... **12-16**

(52) **U.S. Cl.**  
USPC ..... **D12/211**

(58) **Field of Classification Search**  
USPC ..... D12/204–213  
CPC .... B60B 7/00; B60B 7/02; B60B 7/04; B60B 7/01; B60B 7/06; B60B 3/02; B60B 3/04; B60B 3/06; B60B 3/10; B60B 1/00; B60B 1/08; B60B 1/10; B60B 1/12

See application file for complete search history.

(56) **References Cited**

**U.S. PATENT DOCUMENTS**

D527,332 S	*	8/2006	Khan	.....	D12/211
D532,739 S	*	11/2006	Ettensberger	.....	D12/211
D571,704 S	*	6/2008	Kahn	.....	D12/211
D590,318 S	*	4/2009	Theiss	.....	D12/211
D593,022 S	*	5/2009	Forster	.....	D12/211

D613,658 S	*	4/2010	Cortes	.....	D12/209
D622,202 S	*	8/2010	Zhao	.....	D12/211
D662,025 S	*	6/2012	Ettensberger	.....	D12/209
D668,197 S	*	10/2012	Gotschke	.....	D12/211
D671,482 S	*	11/2012	Nakamura	.....	D12/211
D673,103 S	*	12/2012	Song	.....	D12/211
D718,696 S	*	12/2014	Gotschke	.....	D12/209
D723,990 S	*	3/2015	Muntada Roura	.....	D12/209
D723,996 S	*	3/2015	Zhao	.....	D12/211
D727,828 S	*	4/2015	Amezketta	.....	D12/211
D741,773 S	*	10/2015	Juergens	.....	D12/211
D760,636 S	*	7/2016	Kolb	.....	D12/211
D769,167 S	*	10/2016	Muntada Roura	.....	D12/211

\* cited by examiner

*Primary Examiner* — Stacia Cadmus

(74) *Attorney, Agent, or Firm* — Adli Law Group P.C.

(57) **CLAIM**

I claim the ornamental design for an automobile wheel, as shown and described.

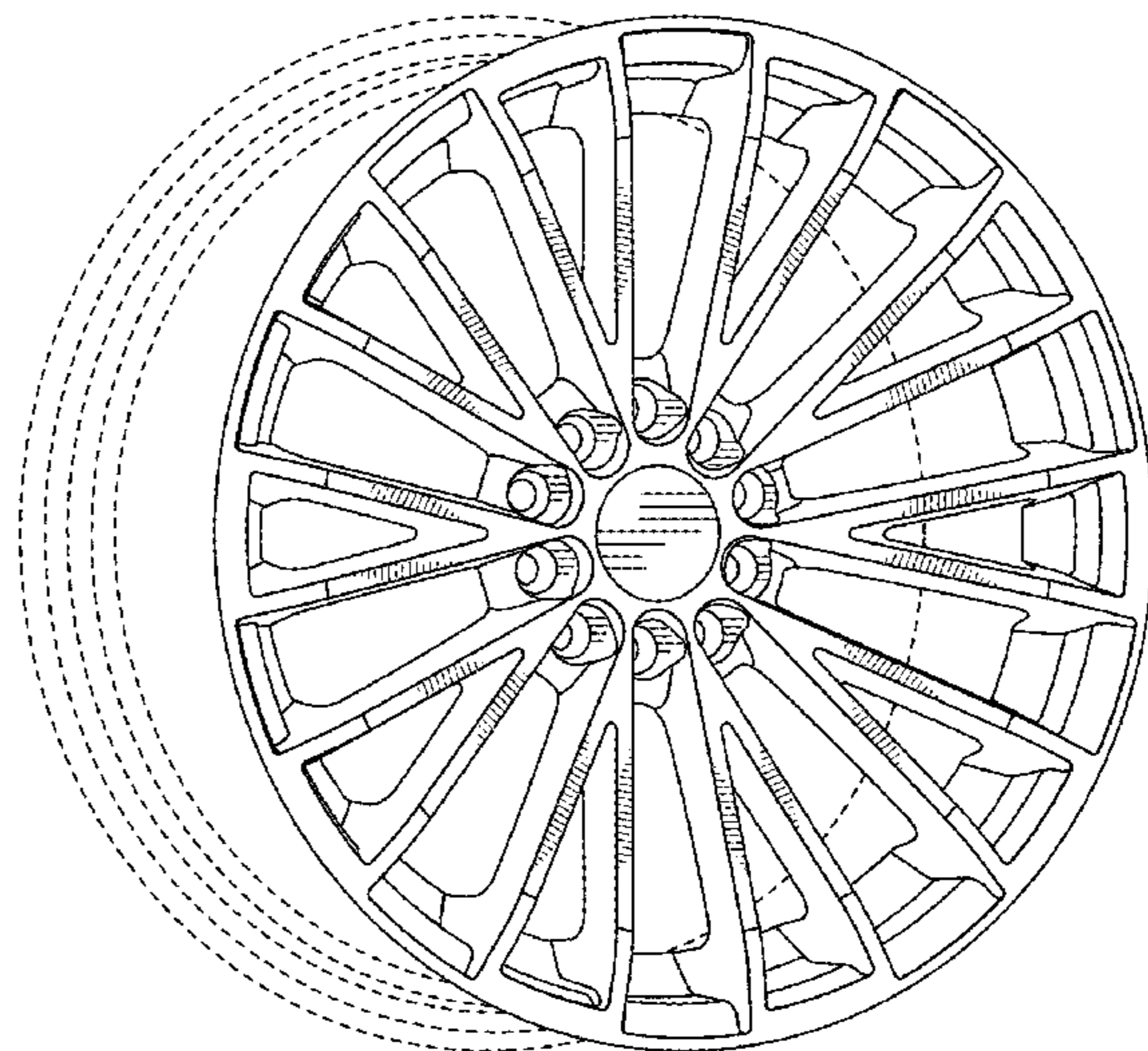
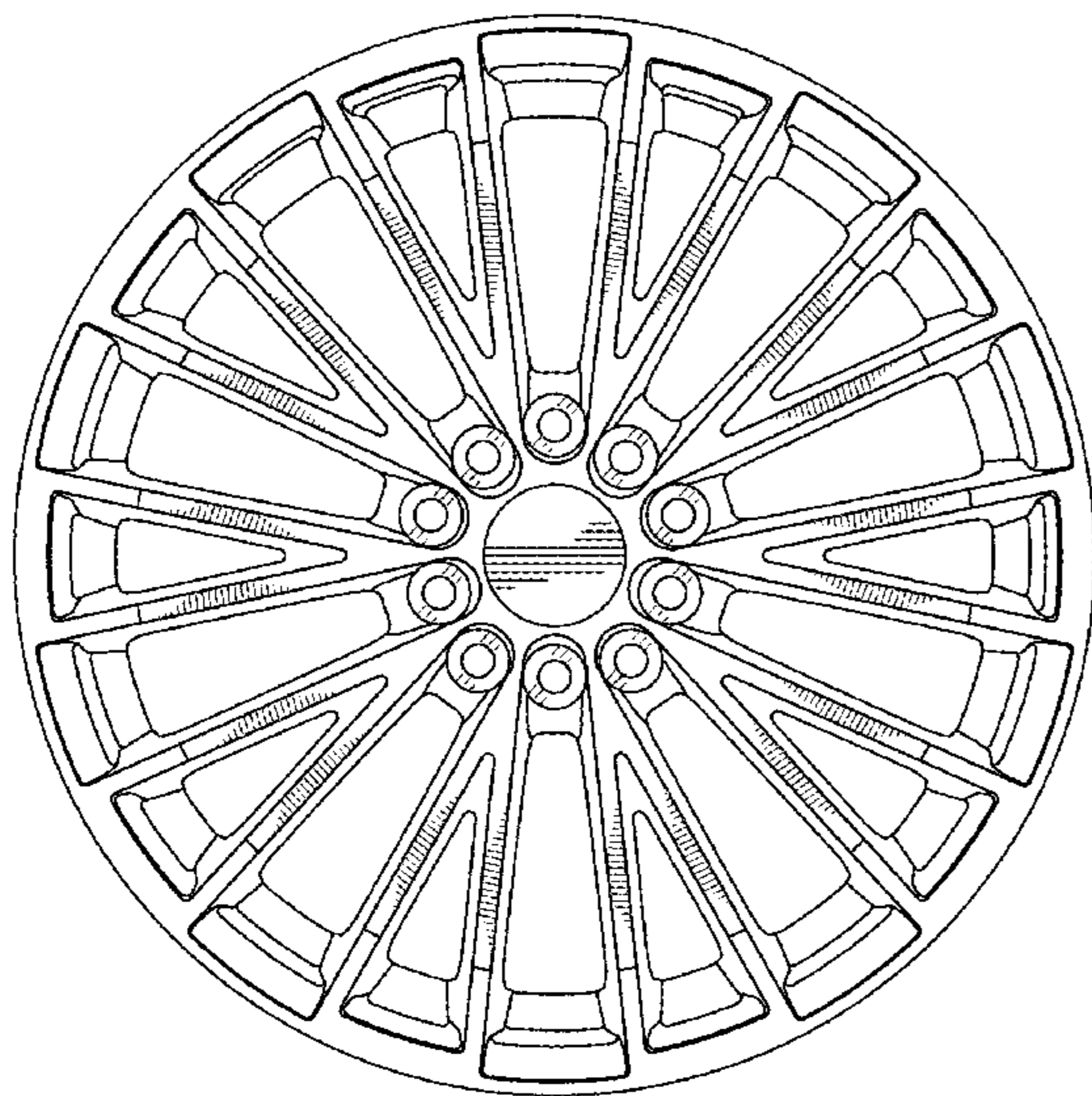
**DESCRIPTION**

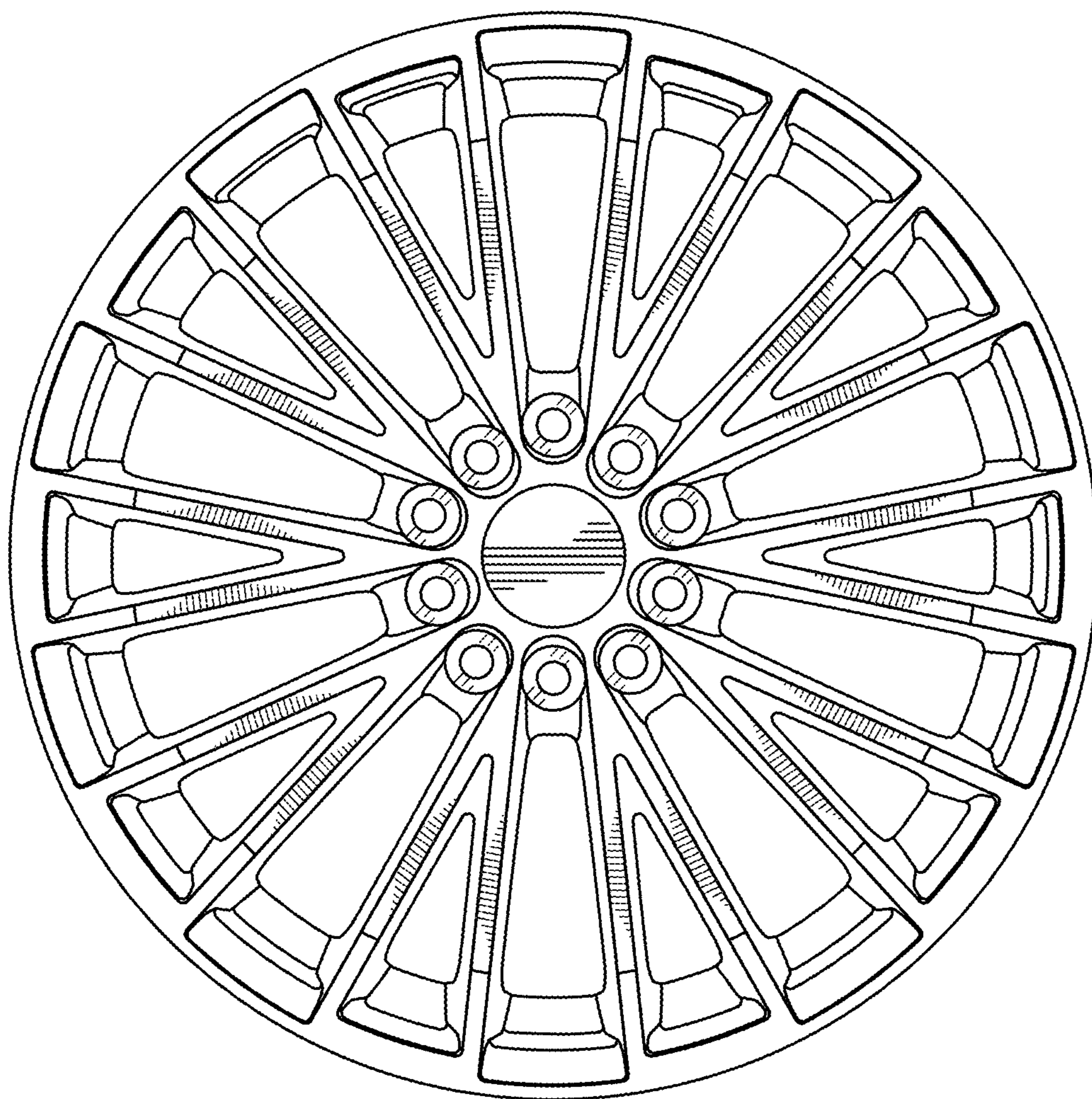
FIG. 1 is a front elevational view of an automobile wheel according to the claimed design; and,

FIG. 2 is a perspective view of the automobile wheel according to the claimed design.

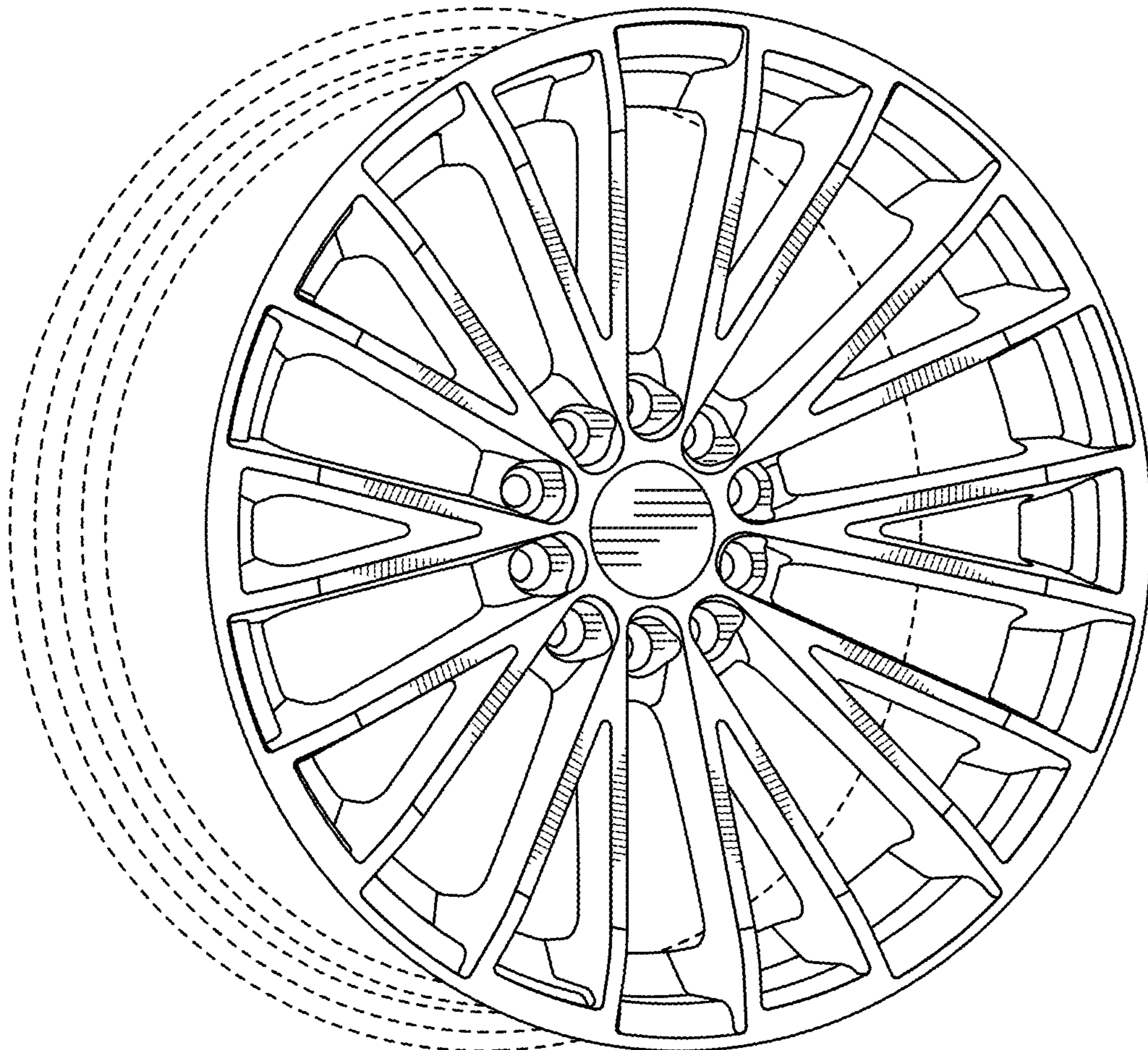
The broken line showing of the rear of the rim is included for the purpose of illustrating environmental subject matter and forms no part of the claimed design.

**1 Claim, 2 Drawing Sheets**





**FIG. 1**



**FIG.2**