



US00D780658S

(12) **United States Design Patent**
Welte

(10) **Patent No.:** **US D780,658 S**

(45) **Date of Patent:** **** Mar. 7, 2017**

(54) **VEHICLE WHEEL**

(71) Applicant: **BBS Motorsport GmbH**, Haslach i.K.
(DE)

(72) Inventor: **Thorsten Welte**, Hausach (DE)

(73) Assignee: **BBS Motorsport GmbH**, Haslach i.K.
(DE)

(**) Term: **14 Years**

(21) Appl. No.: **29/524,535**

(22) Filed: **Apr. 21, 2015**

(30) **Foreign Application Priority Data**

Oct. 21, 2014 (EM) 002561662-0003

Oct. 21, 2014 (EM) 002561662-0004

(51) **LOC (10) Cl.** **12-16**

(52) **U.S. Cl.**

USPC **D12/211**

(58) **Field of Classification Search**

USPC D12/204–213

CPC B60B 7/00; B60B 7/02; B60B 7/04; B60B
7/01; B60B 7/06; B60B 3/02; B60B 3/04;
B60B 3/06; B60B 3/10; B60B 1/00;
B60B 1/08; B60B 1/10; B60B 1/12

See application file for complete search history.

(56) **References Cited**

U.S. PATENT DOCUMENTS

D417,646 S	*	12/1999	Baumgartner	D12/211
D427,558 S	*	7/2000	Neeper	D12/211
D606,921 S	*	12/2009	Thorsten	D12/211
D649,103 S	*	11/2011	Gallert	D12/211
D675,143 S	*	1/2013	Gebert	D12/209
D715,720 S	*	10/2014	Ender	D12/211
D734,704 S	*	7/2015	Juergens	D12/211
D747,254 S	*	1/2016	Liu	D12/211
D748,558 S	*	2/2016	Hans	D12/211
D756,876 S	*	5/2016	Rueckheim	D12/209

* cited by examiner

Primary Examiner — Stacia Cadmus

(74) *Attorney, Agent, or Firm* — Meunier Carlin &
Curfman LLC

(57) **CLAIM**

The ornamental design for a vehicle wheel, as shown and described.

DESCRIPTION

FIG. 1 is a side view of a vehicle wheel, showing my new design;

FIG. 2 is a top view thereof;

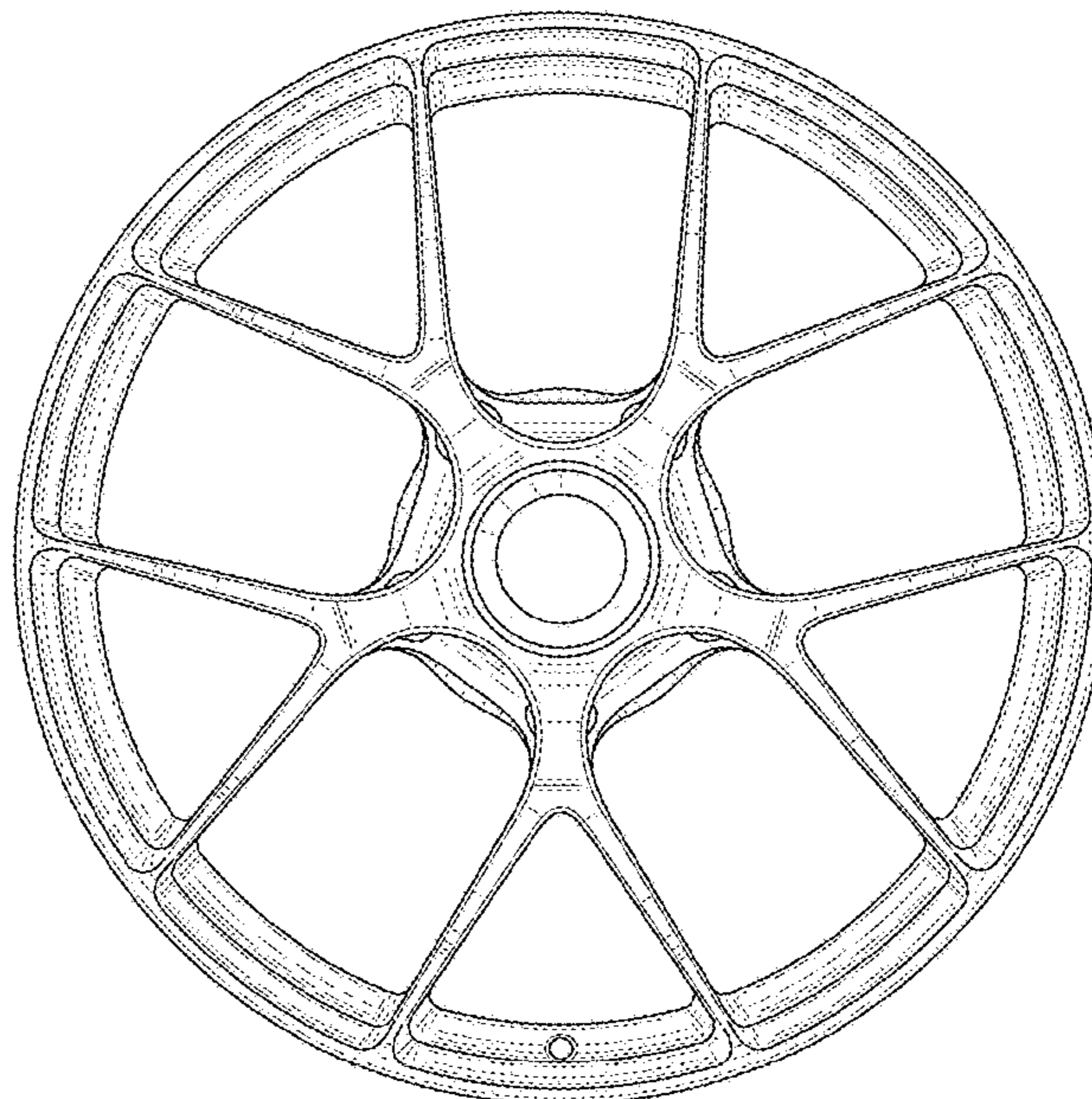
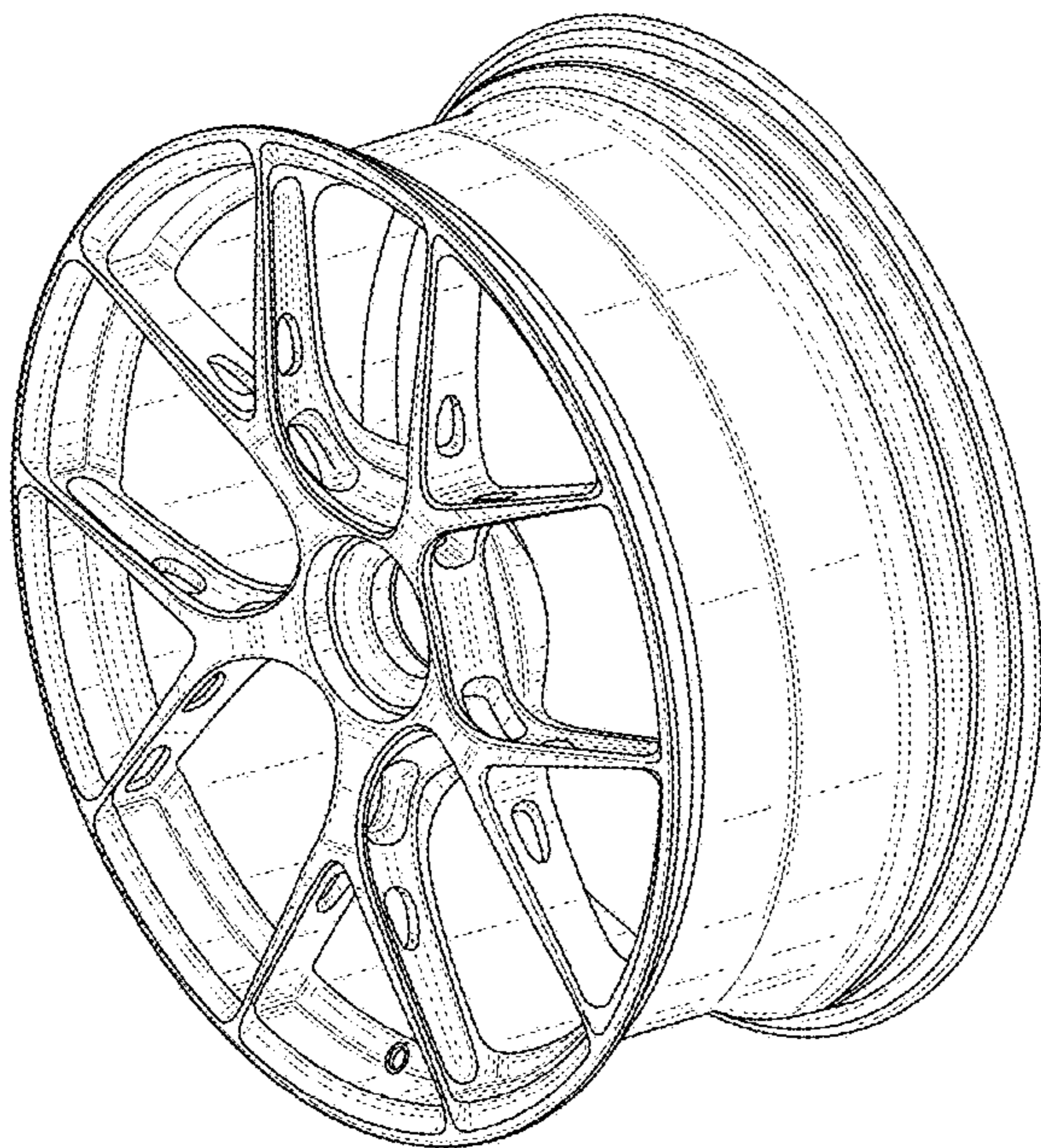
FIG. 3 is a front, right-side perspective view thereof;

FIG. 4 is another front, right-side perspective view thereof;

FIG. 5 is a bottom view thereof; and,

FIG. 6 is a front view thereof.

1 Claim, 6 Drawing Sheets



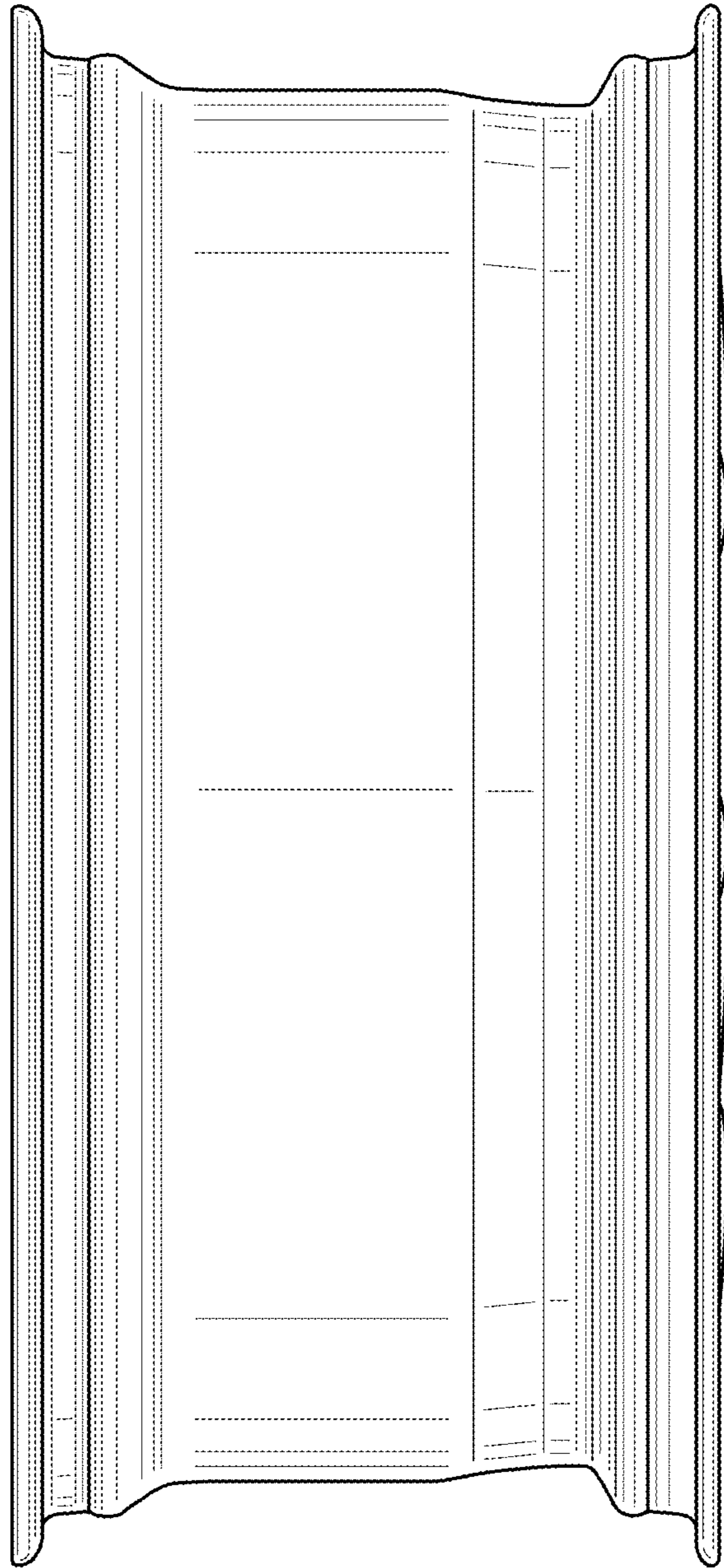


FIG. 1

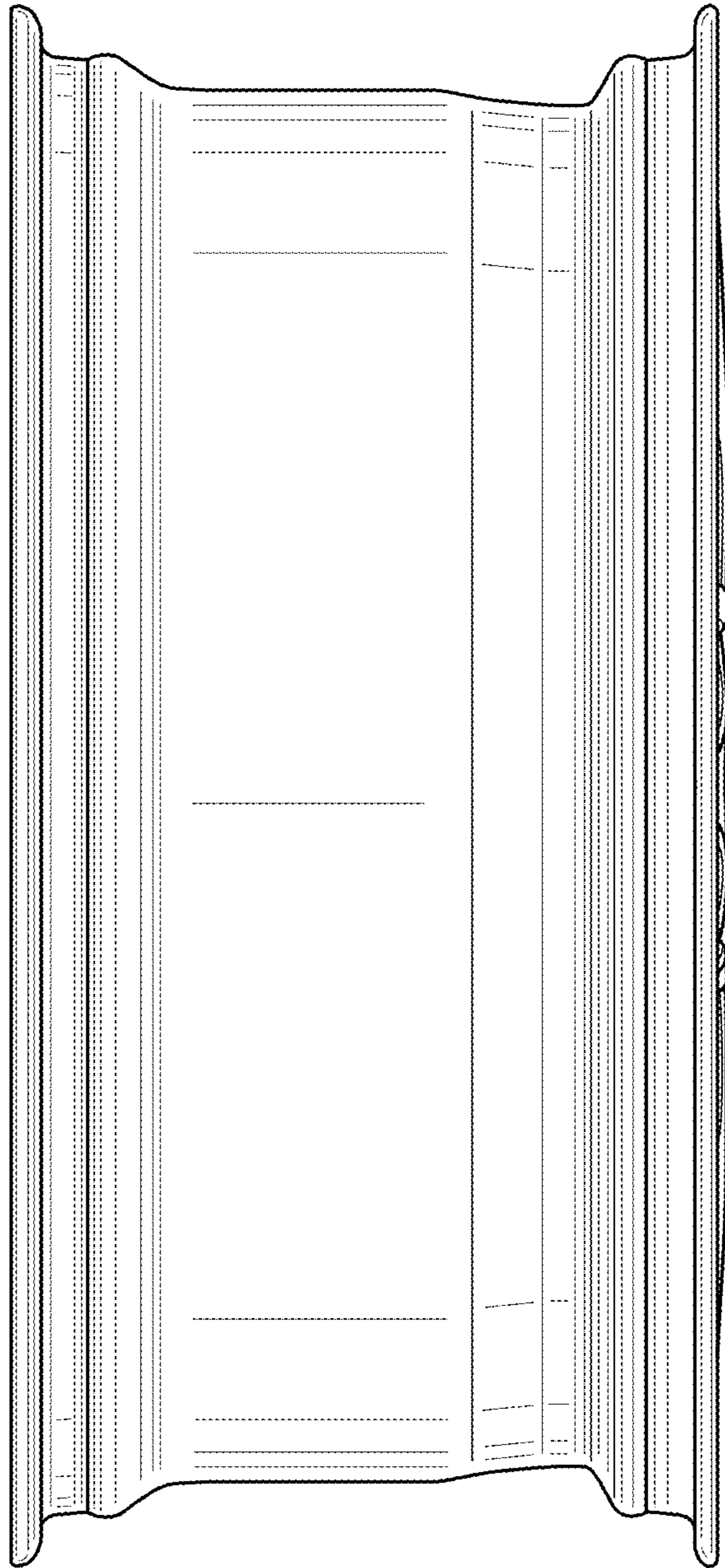


FIG. 2

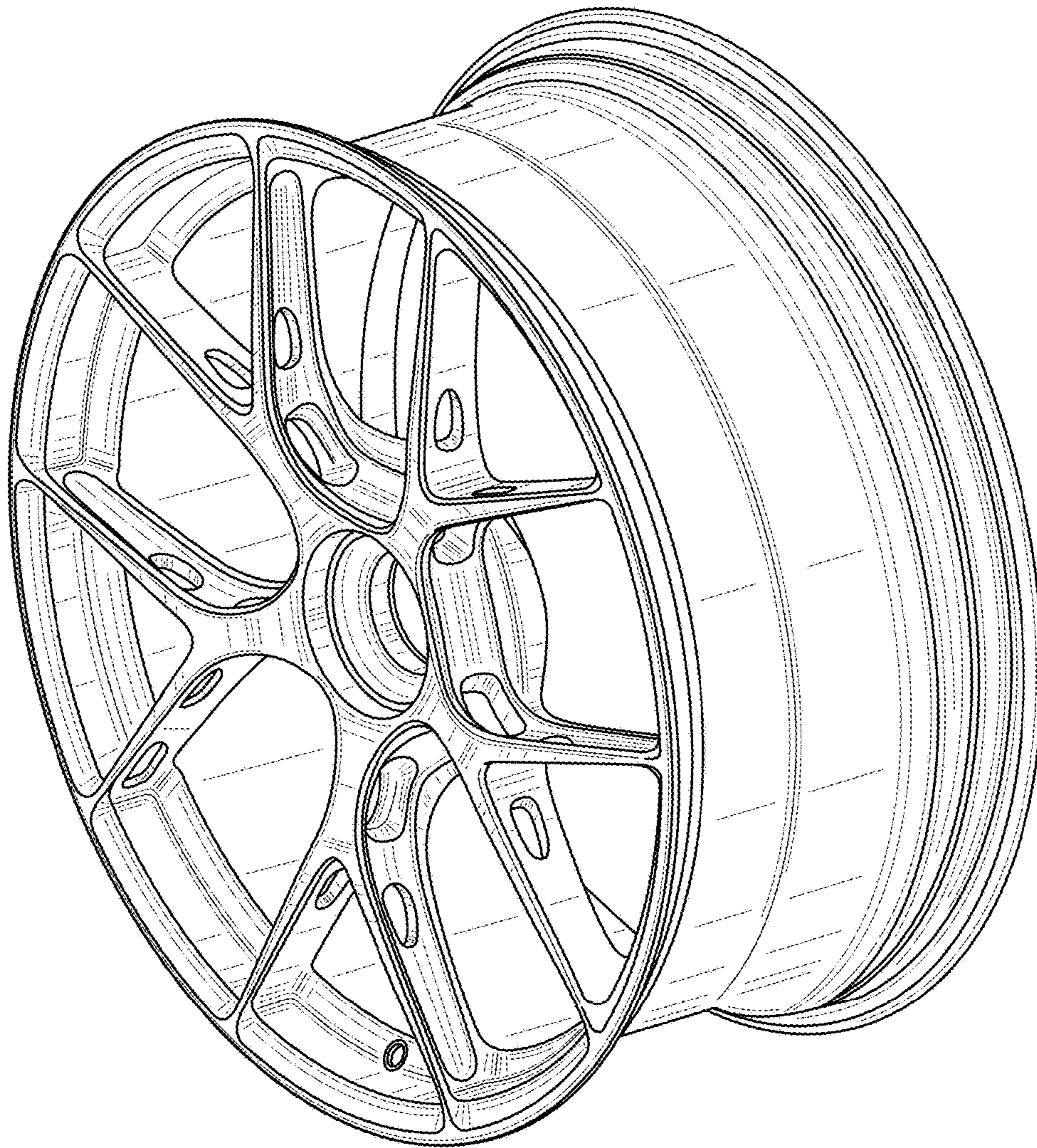


FIG. 3

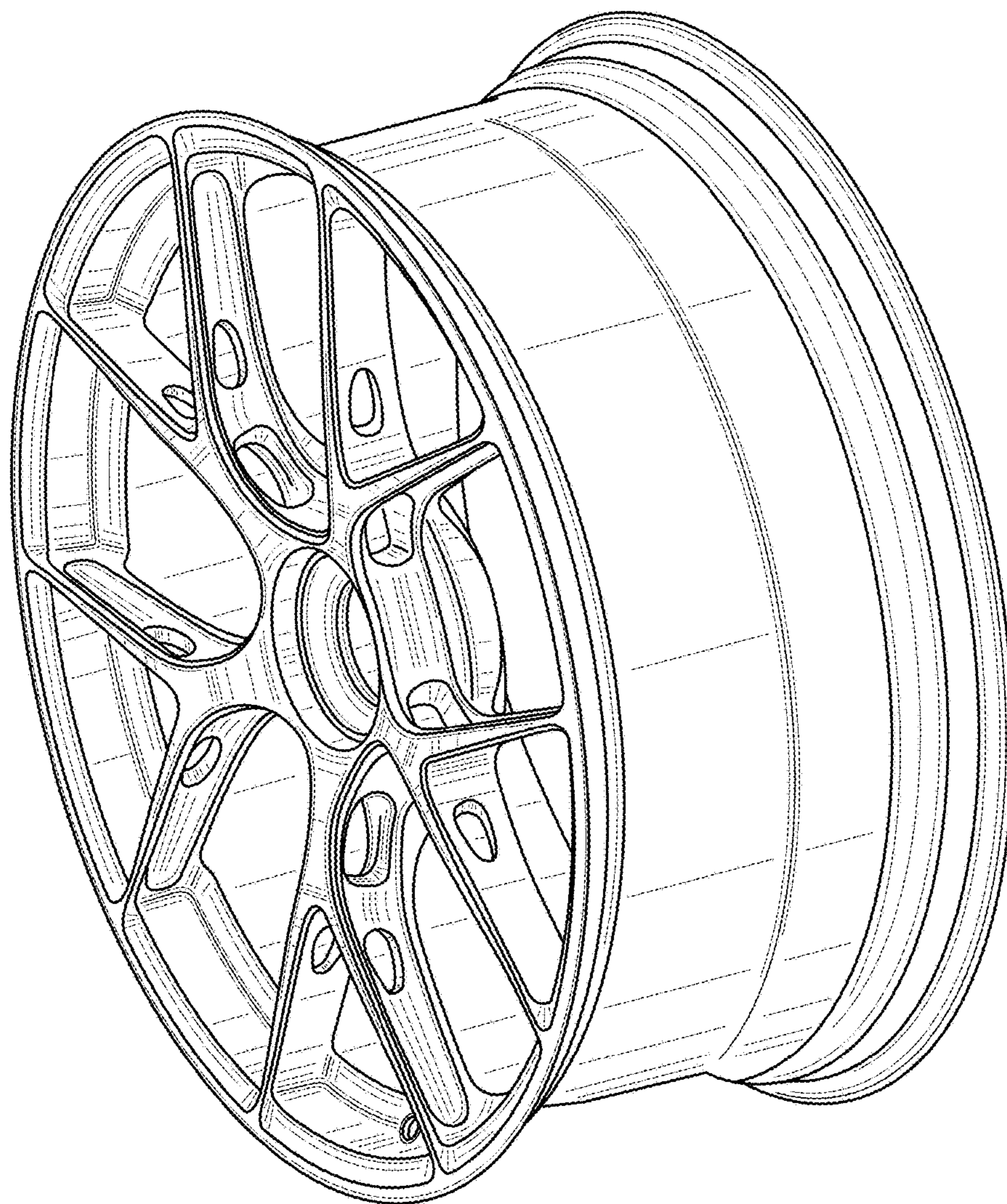


FIG. 4

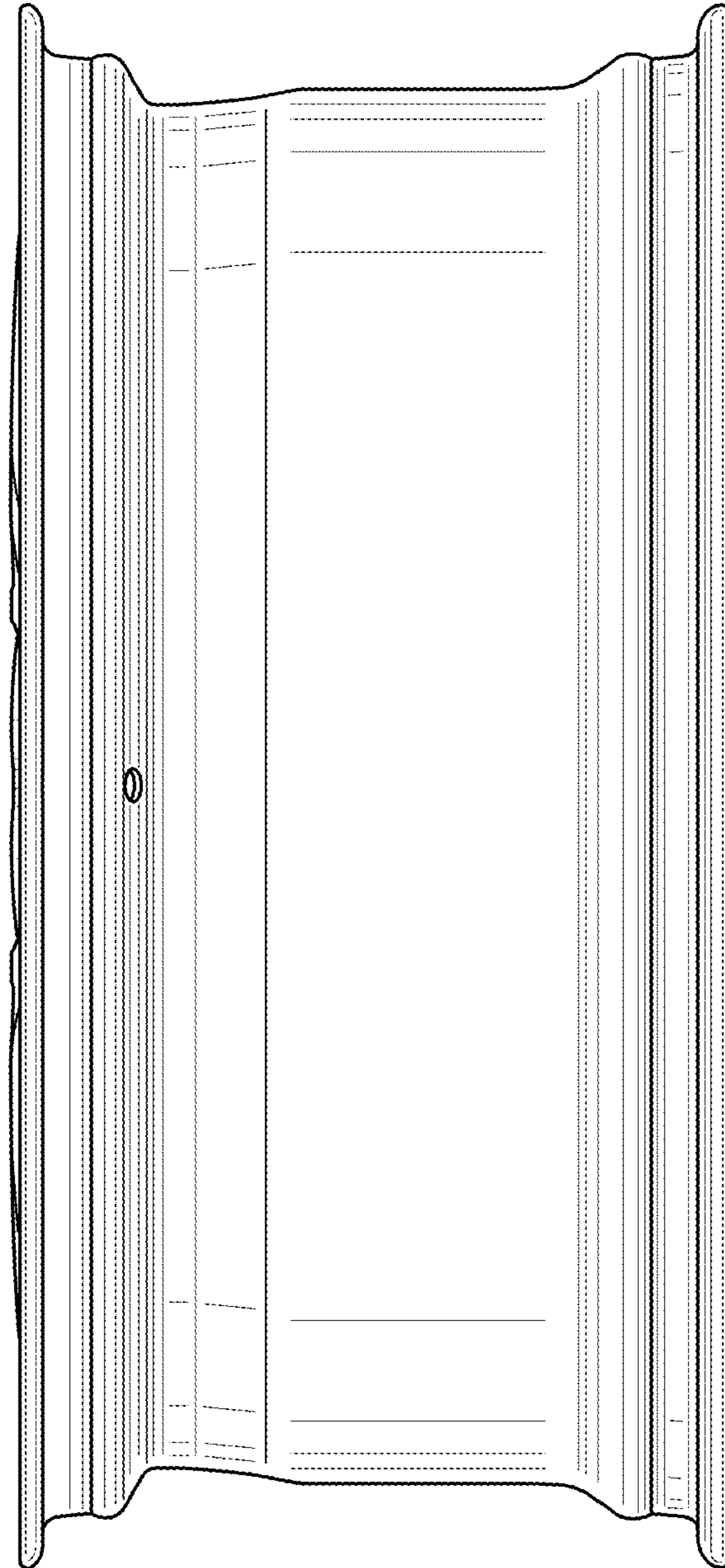


FIG. 5

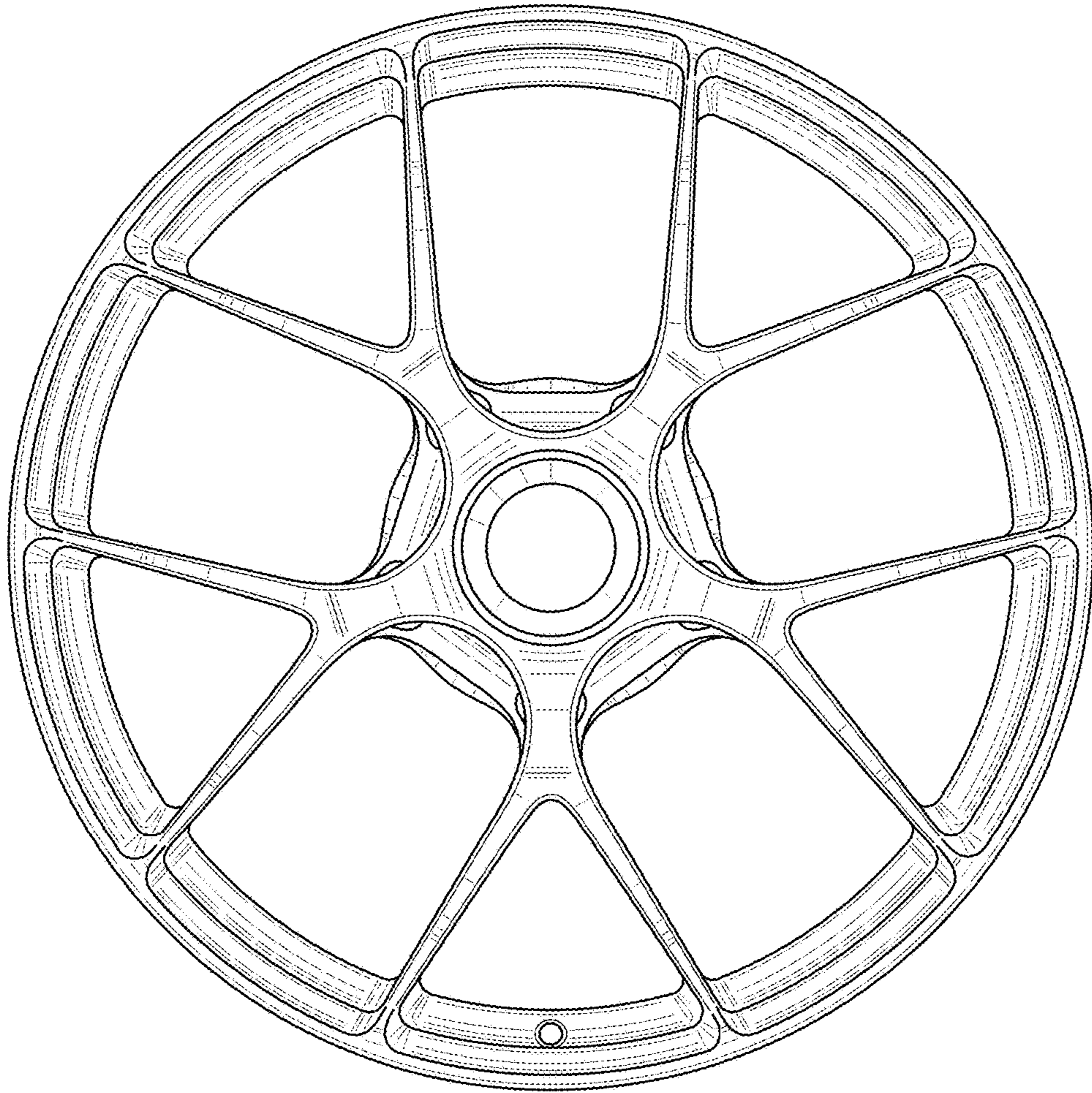


FIG. 6