



US00D780652S

(12) **United States Design Patent**  
**Cranstone et al.**

(10) **Patent No.:** **US D780,652 S**  
(45) **Date of Patent:** **\*\* Mar. 7, 2017**

- (54) **X-FLOWPATH MUFFLER**
- (71) Applicant: **K&N Engineering, Inc.**, Riverside, CA (US)
- (72) Inventors: **Colin Arthur Cranstone**, Palm Springs, CA (US); **Steve E. Williams**, Beaumont, CA (US); **Kevin McClelland**, Rancho Cucamonga, CA (US)
- (73) Assignee: **K&N Engineering, Inc.**, Riverside, CA (US)

- 7,918,311 B2 \* 4/2011 Matsueda ..... F01N 1/083 181/251
- 8,220,442 B2 \* 7/2012 Caldwell ..... F02M 35/10222 123/568.12
- 8,733,086 B2 \* 5/2014 Han ..... B60K 13/04 181/221
- 8,794,586 B2 \* 8/2014 Rodecker ..... F01N 13/1805 180/296
- 8,813,900 B2 \* 8/2014 Poulin ..... B60K 5/00 180/309
- 8,820,475 B2 \* 9/2014 Pradhan ..... F01N 1/04 181/266
- 8,869,932 B2 \* 10/2014 Butler ..... F01N 13/1805 181/228

(\*\*) Term: **15 Years**

(21) Appl. No.: **29/529,499**

(22) Filed: **Jun. 8, 2015**

(51) **LOC (10) Cl.** ..... **12-16**

(52) **U.S. Cl.**  
USPC ..... **D12/194**

(58) **Field of Classification Search**  
USPC ..... D15/5; D12/194  
CPC ..... F01N 13/082; F01N 13/1805; F01N 13/20  
See application file for complete search history.

(56) **References Cited**

**U.S. PATENT DOCUMENTS**

- 4,949,807 A \* 8/1990 Hirata ..... F01N 1/084 181/238
- 5,216,809 A \* 6/1993 Abbott ..... F01N 1/02 29/506
- 5,773,770 A \* 6/1998 Jones ..... F01N 1/02 181/239
- 7,527,774 B2 \* 5/2009 Galligan ..... F01N 1/081 181/212

\* cited by examiner

*Primary Examiner* — Michael A Pratt

(74) *Attorney, Agent, or Firm* — Rutan & Tucker LLP; Hani Z. Sayed

(57) **CLAIM**

The ornamental design for an X-flowpath muffler, as shown and described.

**DESCRIPTION**

FIG. 1 is a top, front, right side perspective view of the X-flowpath muffler present invention; FIG. 2 is a front elevation view; FIG. 3 is rear elevation view; FIG. 4 is a right side elevation view, the left side elevation view being a mirror image; FIG. 5 is a top plan view; and, FIG. 6 is a bottom plan view.

The broken line showing in all drawings views is for the purpose of illustrating portions of the X-flow path muffler that forms no part of the claimed design.

**1 Claim, 4 Drawing Sheets**

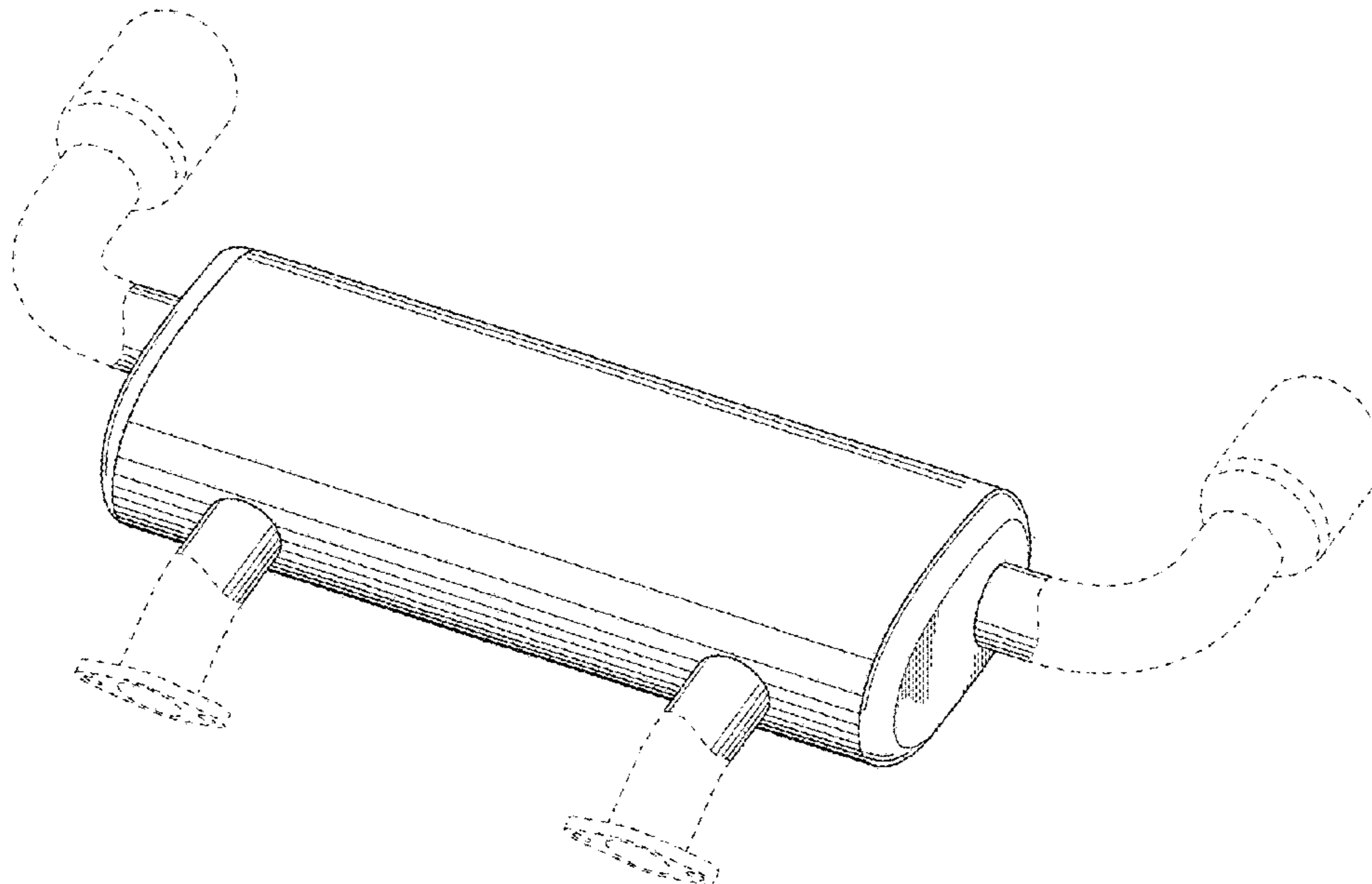
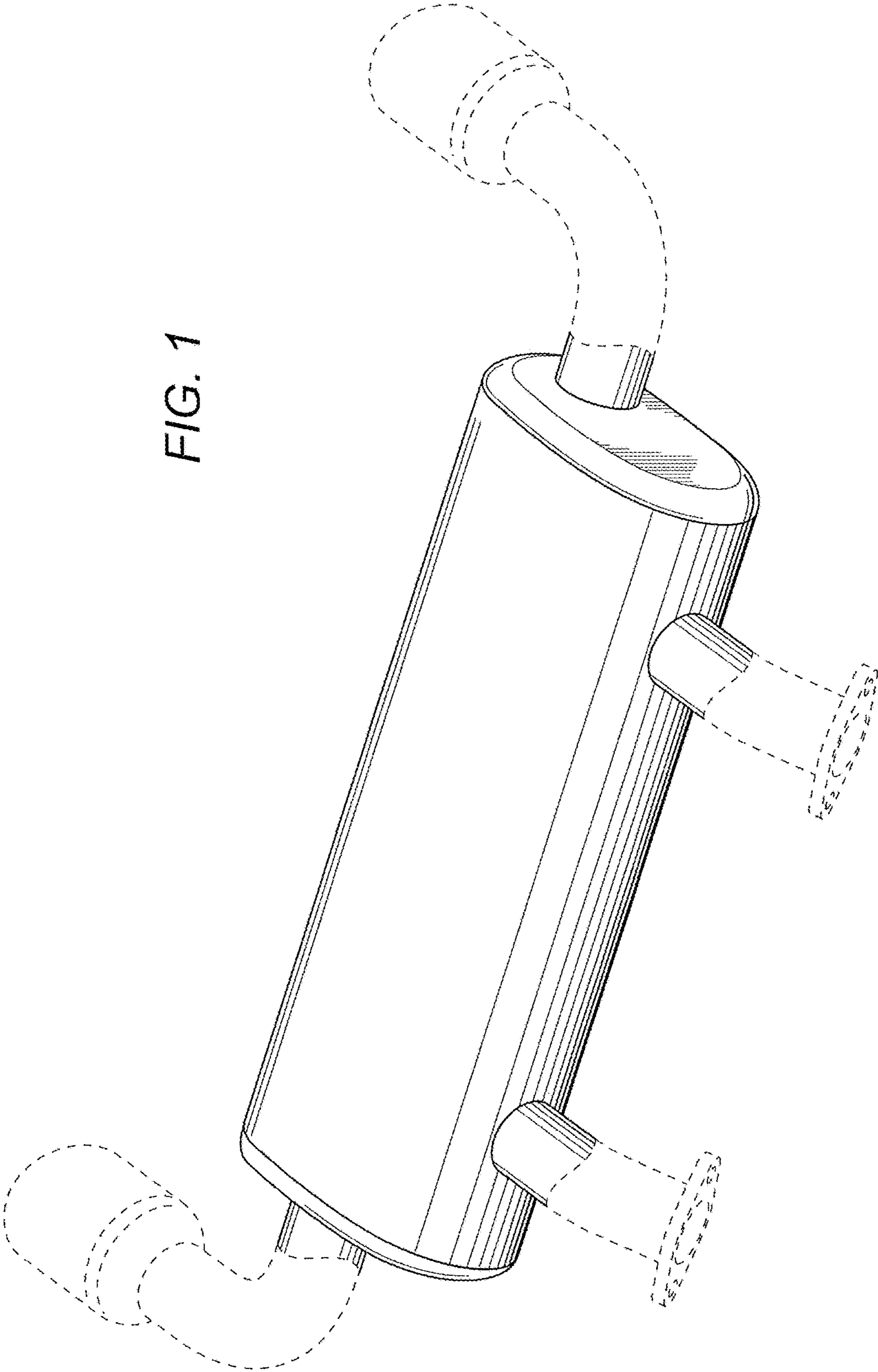


FIG. 1



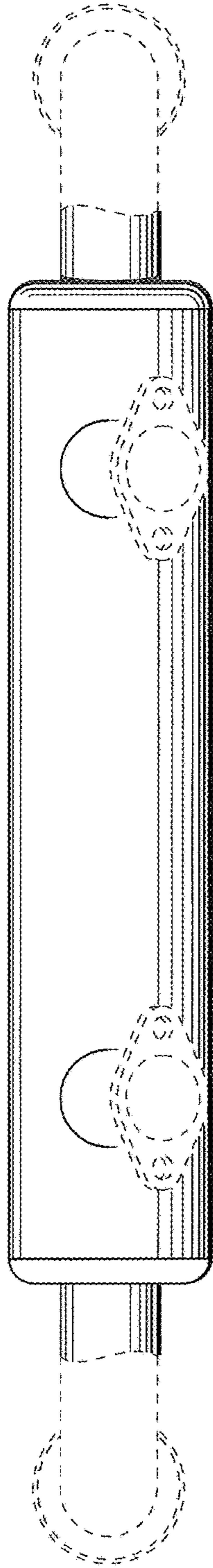


FIG. 2

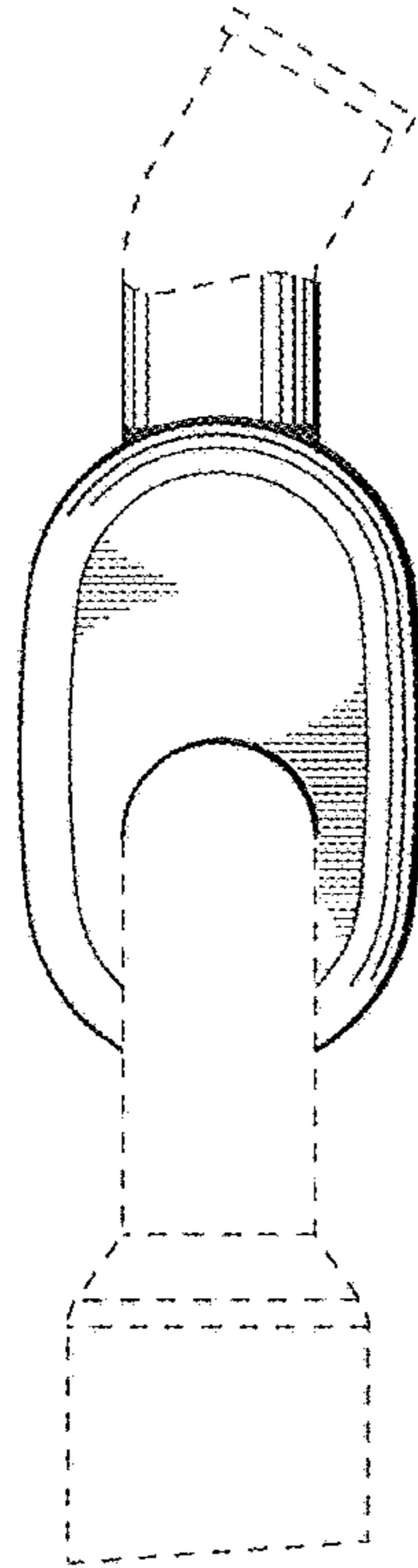


FIG. 4

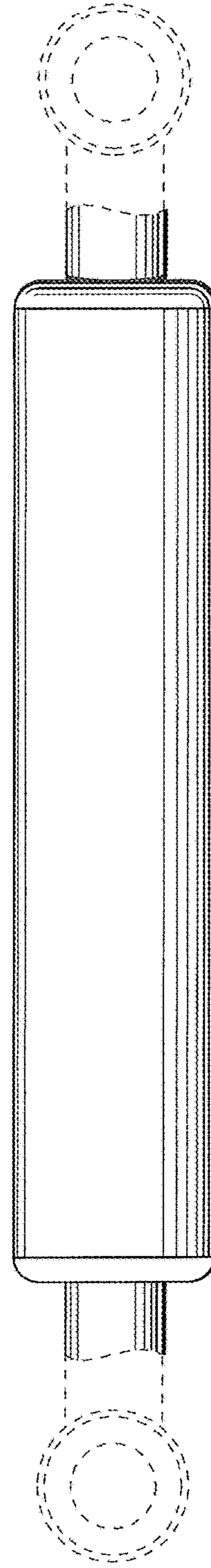


FIG. 3

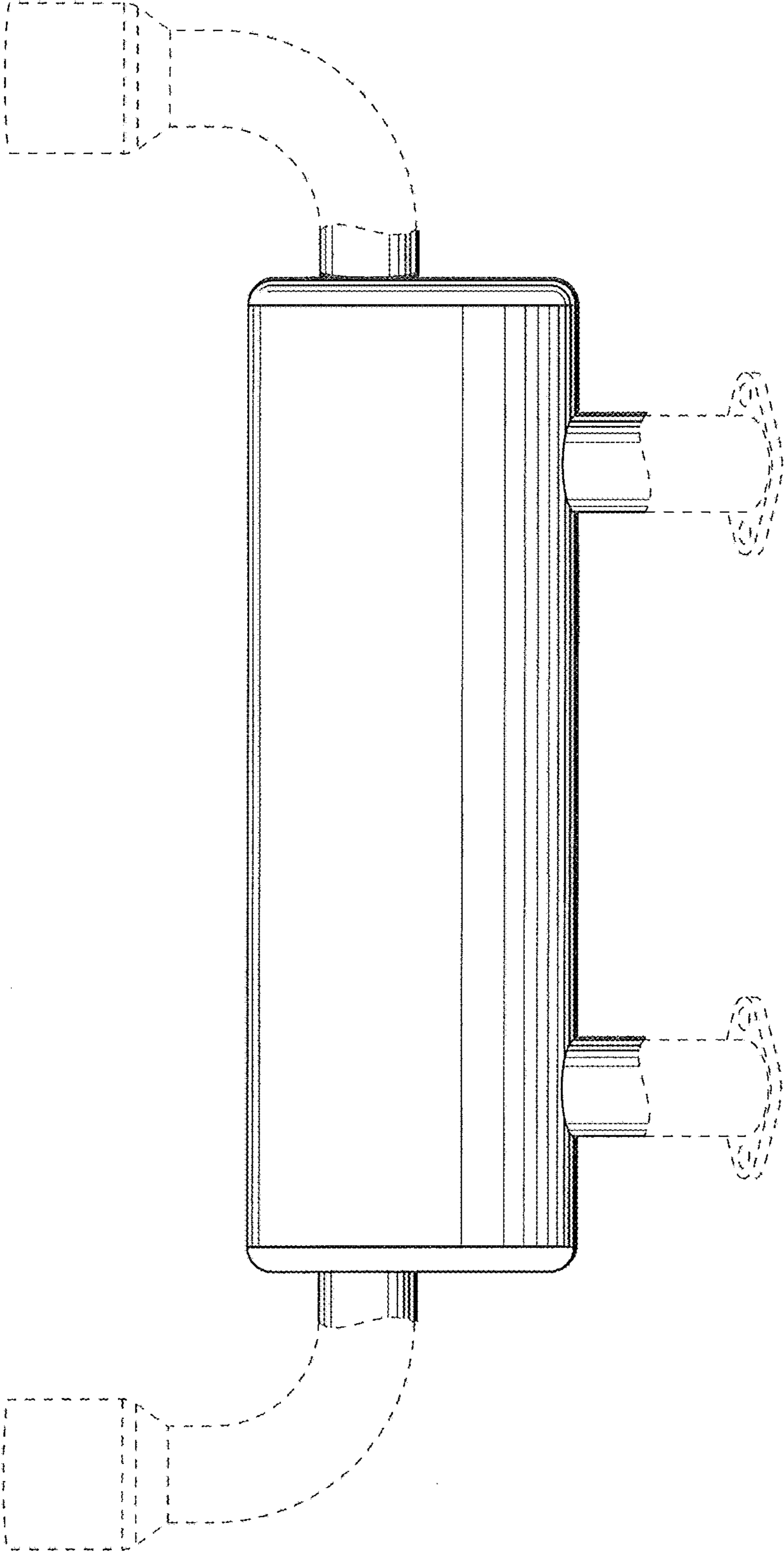


FIG. 5

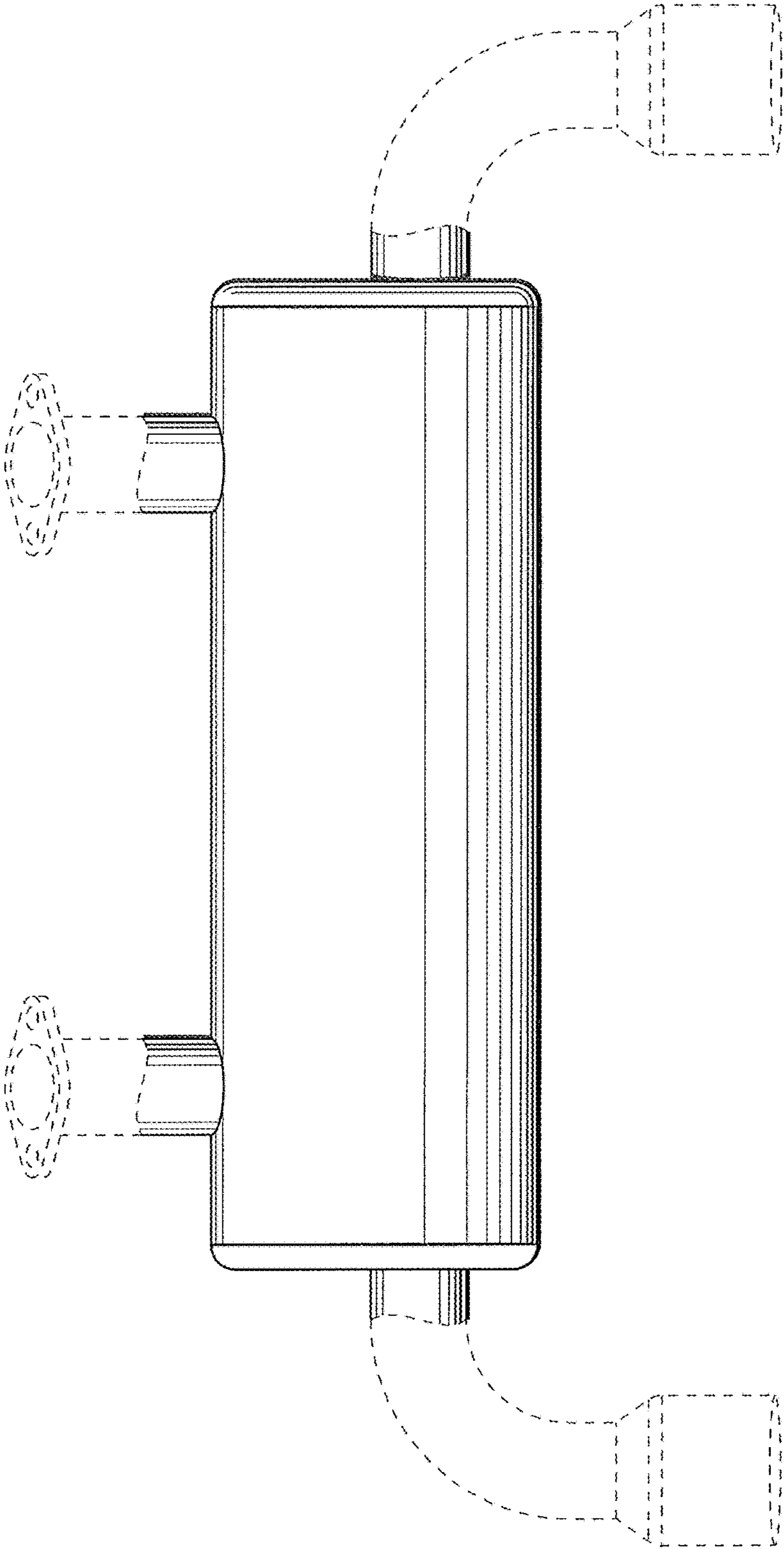


FIG. 6