



US00D780651S

(12) **United States Design Patent**
Spencer et al.

(10) **Patent No.:** **US D780,651 S**

(45) **Date of Patent:** **** Mar. 7, 2017**

(54) **LICENSE PLATE FRAME**

(71) Applicant: **Cruiser Accessories, LLC**, Monument, CO (US)

(72) Inventors: **Todd Spencer**, Monument, CO (US);
Michael J. Schwartz, Colorado Springs, CO (US); **Eldon Goates**, Colorado Springs, CO (US); **Bret Zelenka**, Cave Spring, GA (US)

(73) Assignee: **Cruiser Accessories, LLC**, Monument, CO (US)

(**) Term: **15 Years**

(21) Appl. No.: **29/531,867**

(22) Filed: **Jun. 30, 2015**

(51) **LOC (10) Cl.** **12-16**

(52) **U.S. Cl.**
USPC **D12/193**

(58) **Field of Classification Search**
USPC D12/163-172, 193; D6/300, 301, 302,
D6/310, 313; D14/450; 40/209;
361/679.01
CPC B60R 13/105; B60R 13/10; B60R 19/24;
B60R 19/52; G09F 7/18
See application file for complete search history.

(56) **References Cited**

U.S. PATENT DOCUMENTS

2,865,123	A	*	12/1958	Glowzinski	B60R 13/105 40/209
D393,636	S	*	4/1998	Jones	D14/450
D424,992	S	*	5/2000	Faurote	D12/163
D521,424	S	*	5/2006	Sackley	D12/163
D542,192	S	*	5/2007	Renkert	D12/163
D566,025	S	*	4/2008	Hu	D12/193
D596,545	S	*	7/2009	Son	D12/193
D689,803	S	*	9/2013	Spencer	D12/193
D689,805	S	*	9/2013	Spencer	D12/193
D715,203	S	*	10/2014	Spencer	D12/193

D733,619	S	*	7/2015	Glover	D12/163
D746,731	S	*	1/2016	Quezada	D12/163
2012/0327575	A1	*	12/2012	Eiland	B60R 13/105 361/679.01

OTHER PUBLICATIONS

“Chroma 42517 Jeep Grill and Bumper Chrome Frame” Dec. 8, 2014, Amazon, site visited Sep. 12, 2016 <https://www.amazon.com/Chroma-42517-Grill-Bumper-Chrome/dp/B00N7KNI1S/ref=sr_1_36?s=automotive&ie=UTF8&qid=1456242976&sr=1-36&keywords=license+plate+frame&tag=bp_links-20>.*

* cited by examiner

Primary Examiner — Kevin Rudzinski

Assistant Examiner — Paul Bohannon

(74) *Attorney, Agent, or Firm* — Linda Flewellen Gould

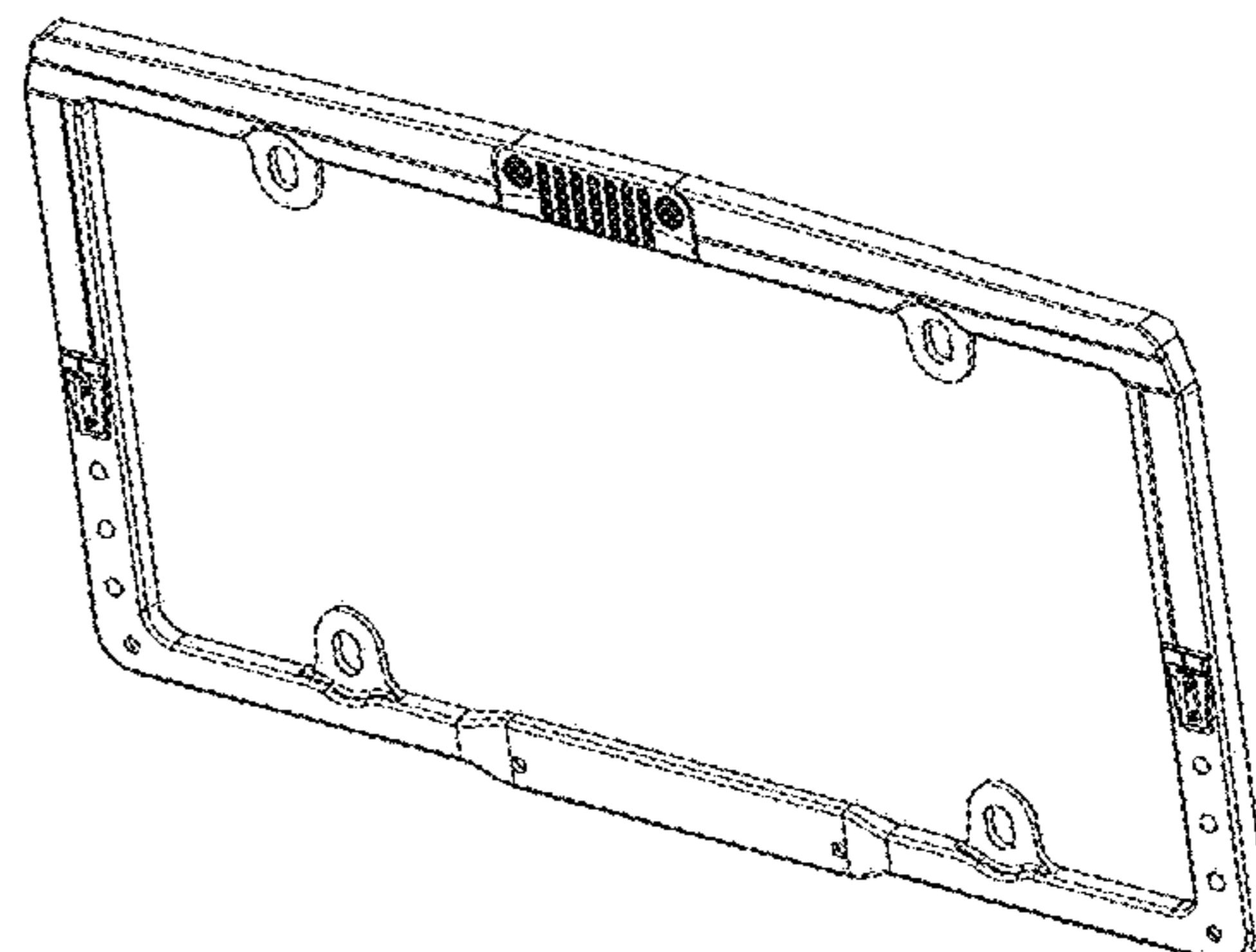
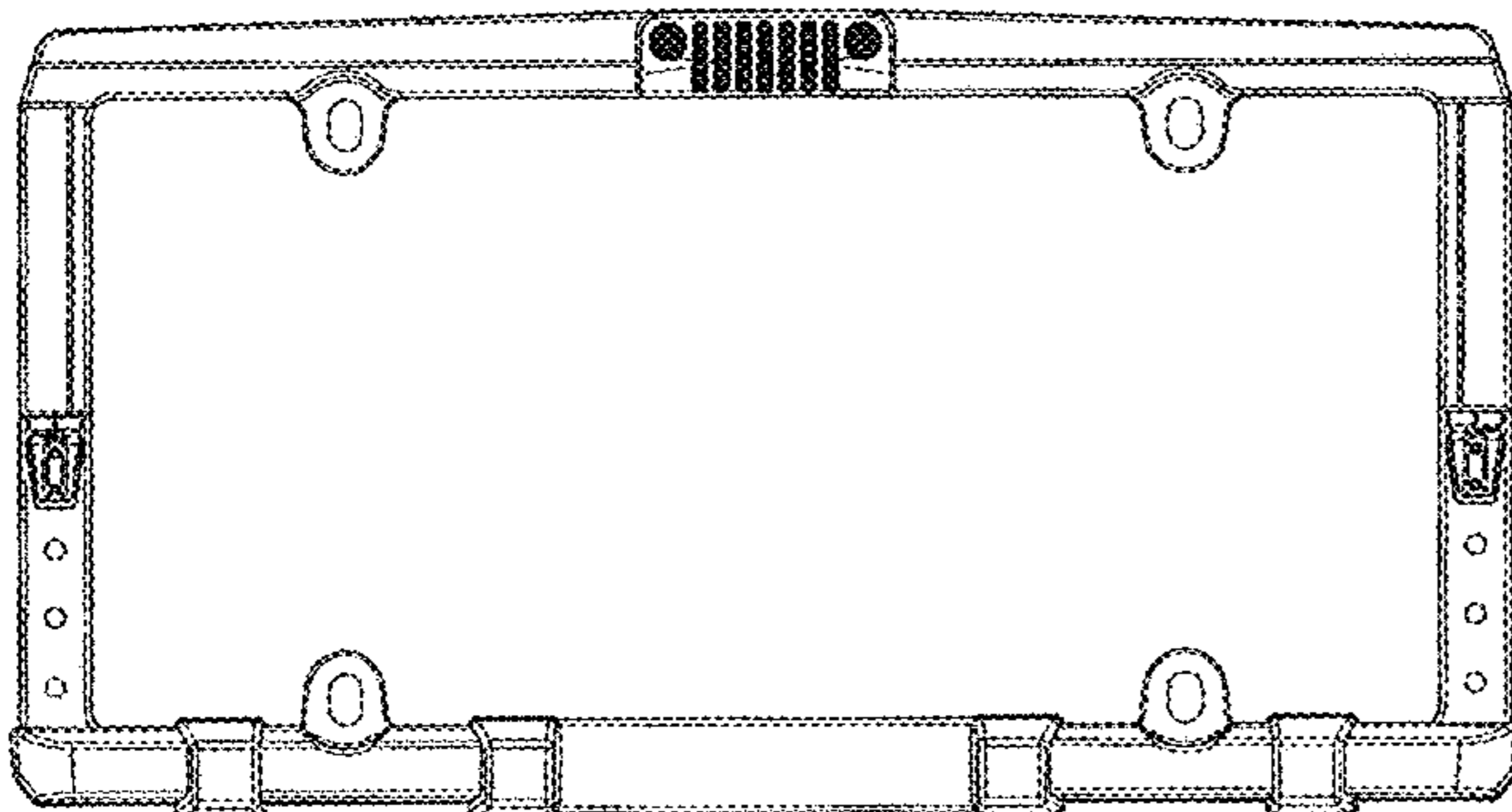
(57) **CLAIM**

The ornamental design for a license plate frame, as shown and described.

DESCRIPTION

FIG. 1 is a front view showing our new design for a license plate frame.
FIG. 2 is a left side view of the license plate frame of the present invention, the right side view being the mirror image thereof.
FIG. 3 is a magnified view of a portion of the license plate frame shown in FIG. 1.
FIG. 4 is a back view of the license plate frame of the present invention.
FIG. 5 is a magnified view of a portion of the license plate frame shown in FIG. 4.
FIG. 6 is a top view of the license plate frame of the present invention.
FIG. 7 is a front perspective view of the license plate frame of the present invention; and,
FIG. 8 is a magnified view of a portion of the license plate frame shown in FIG. 7.

1 Claim, 3 Drawing Sheets



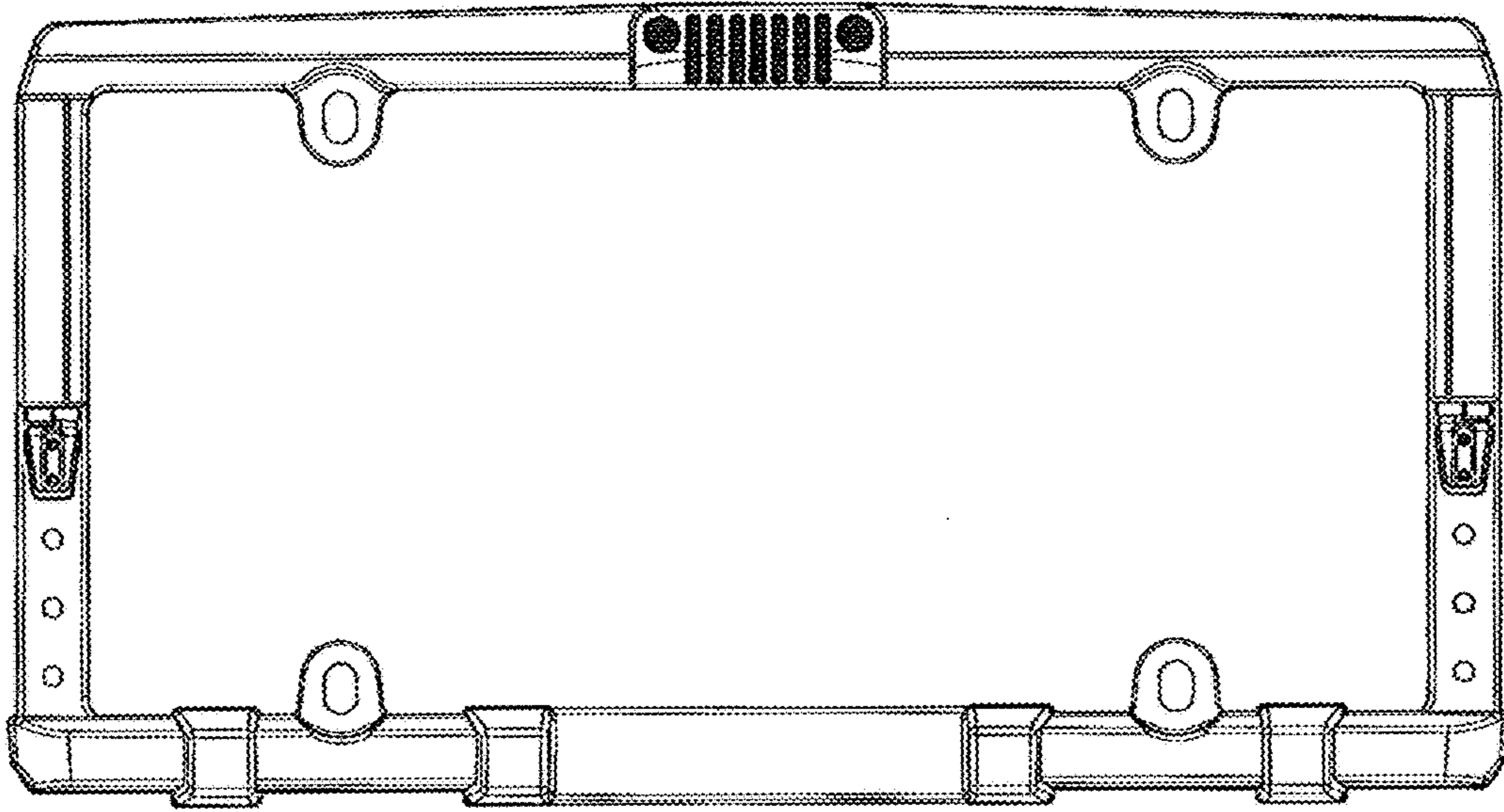


Figure 1

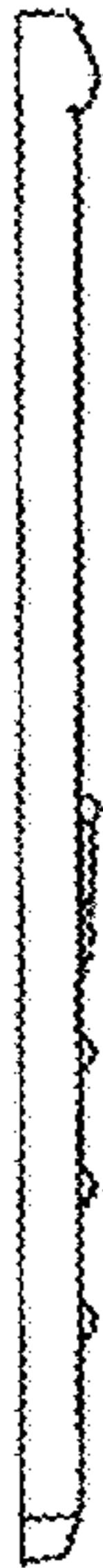


Figure 2

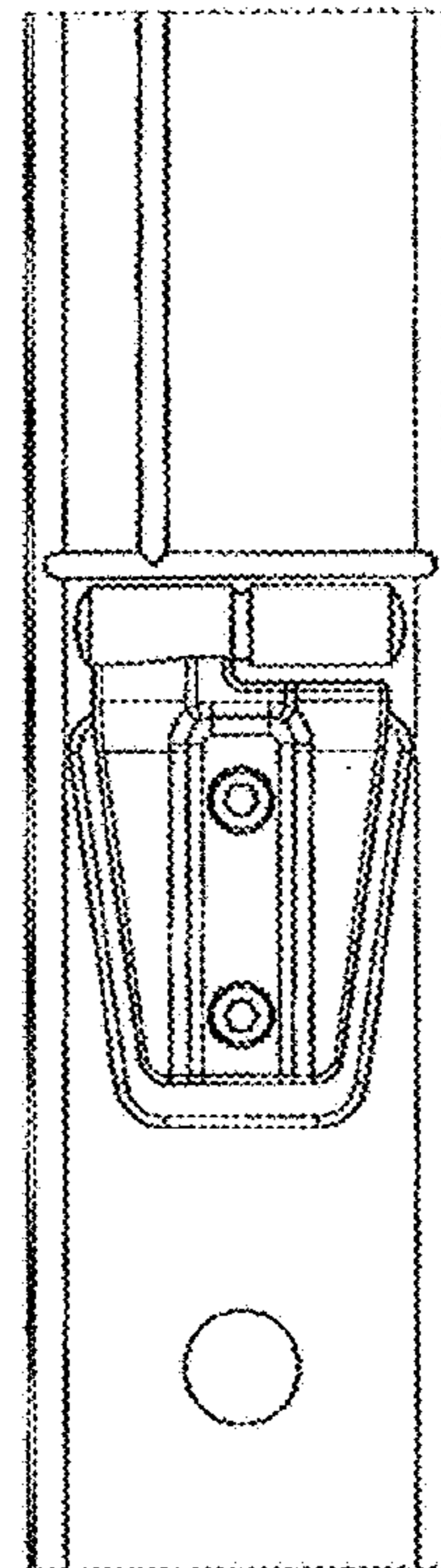


Figure 3

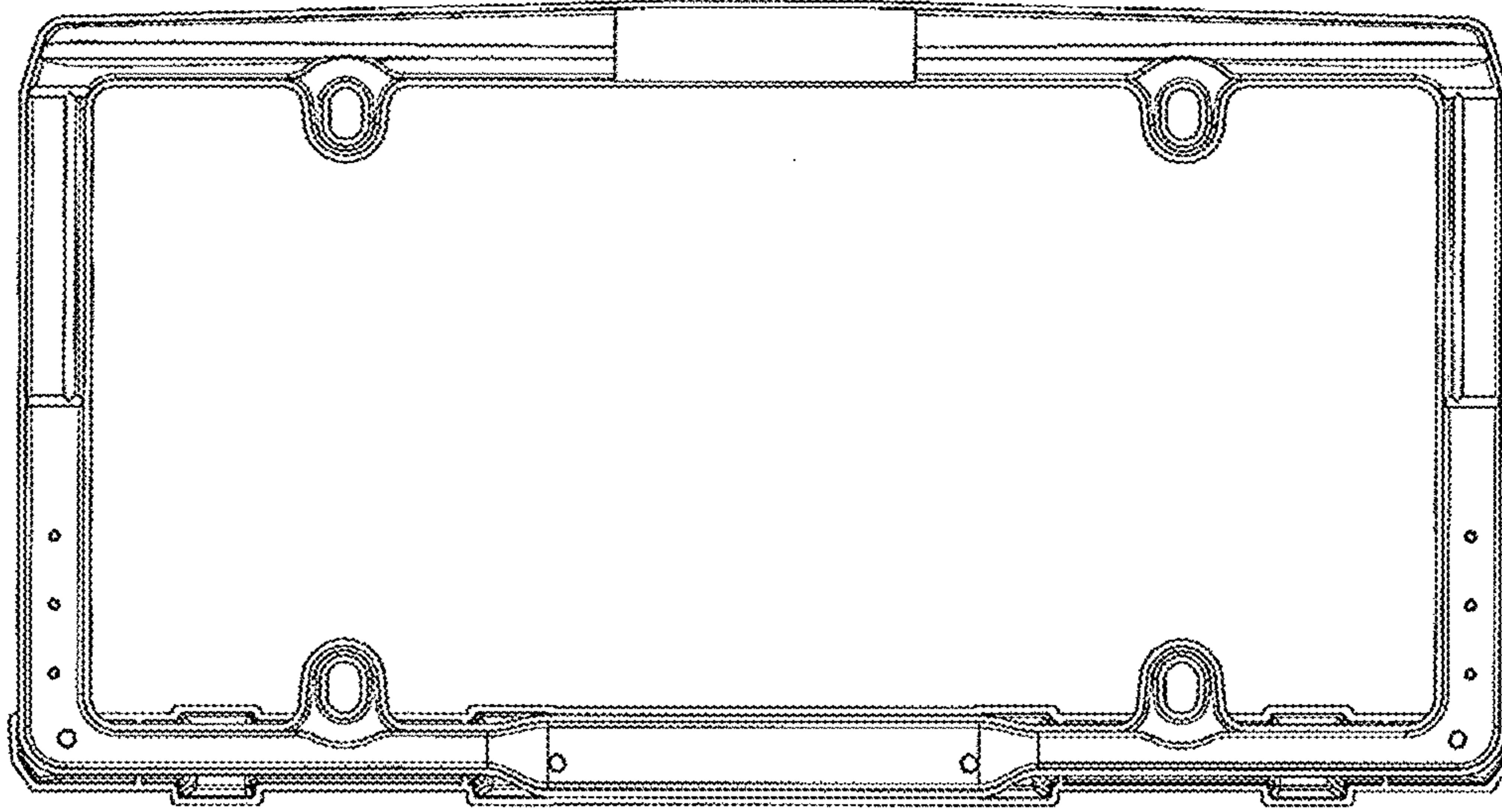


Figure 4

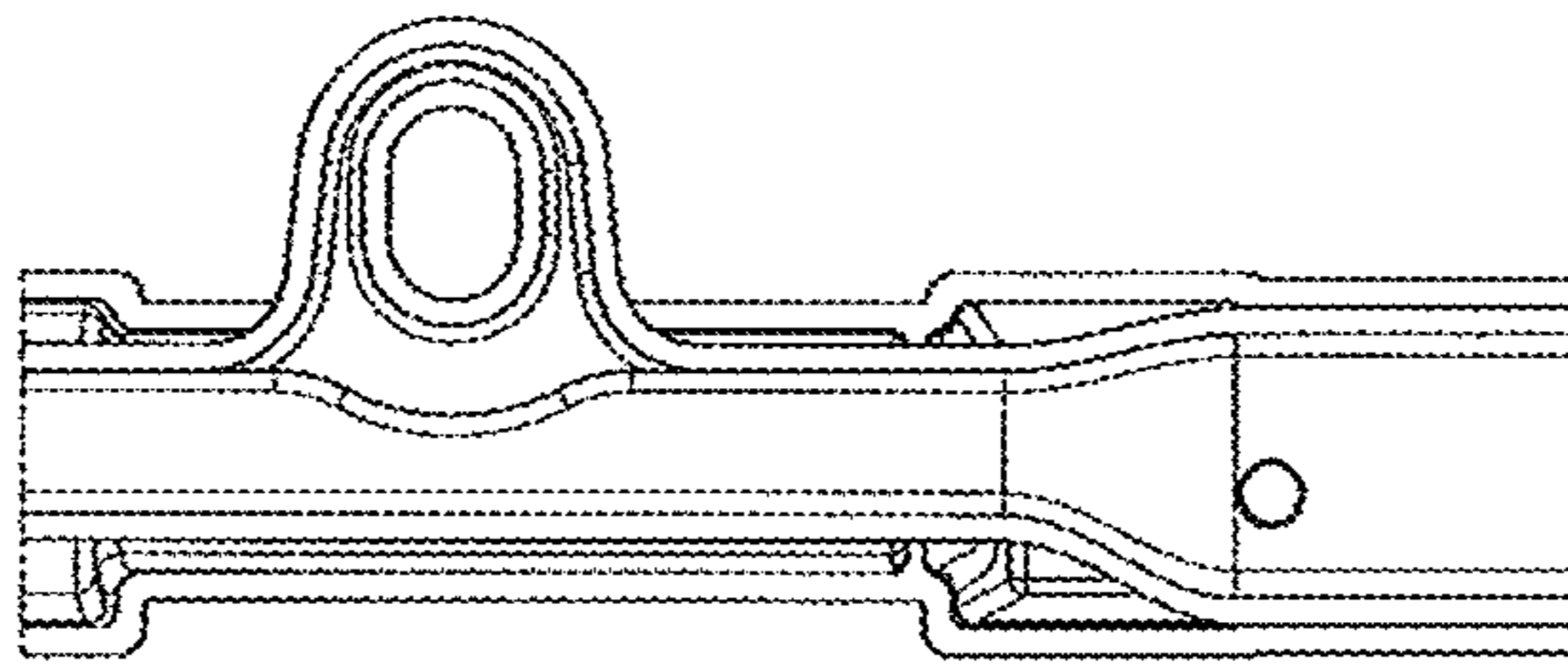


Figure 5

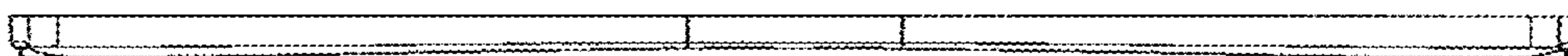


Figure 6

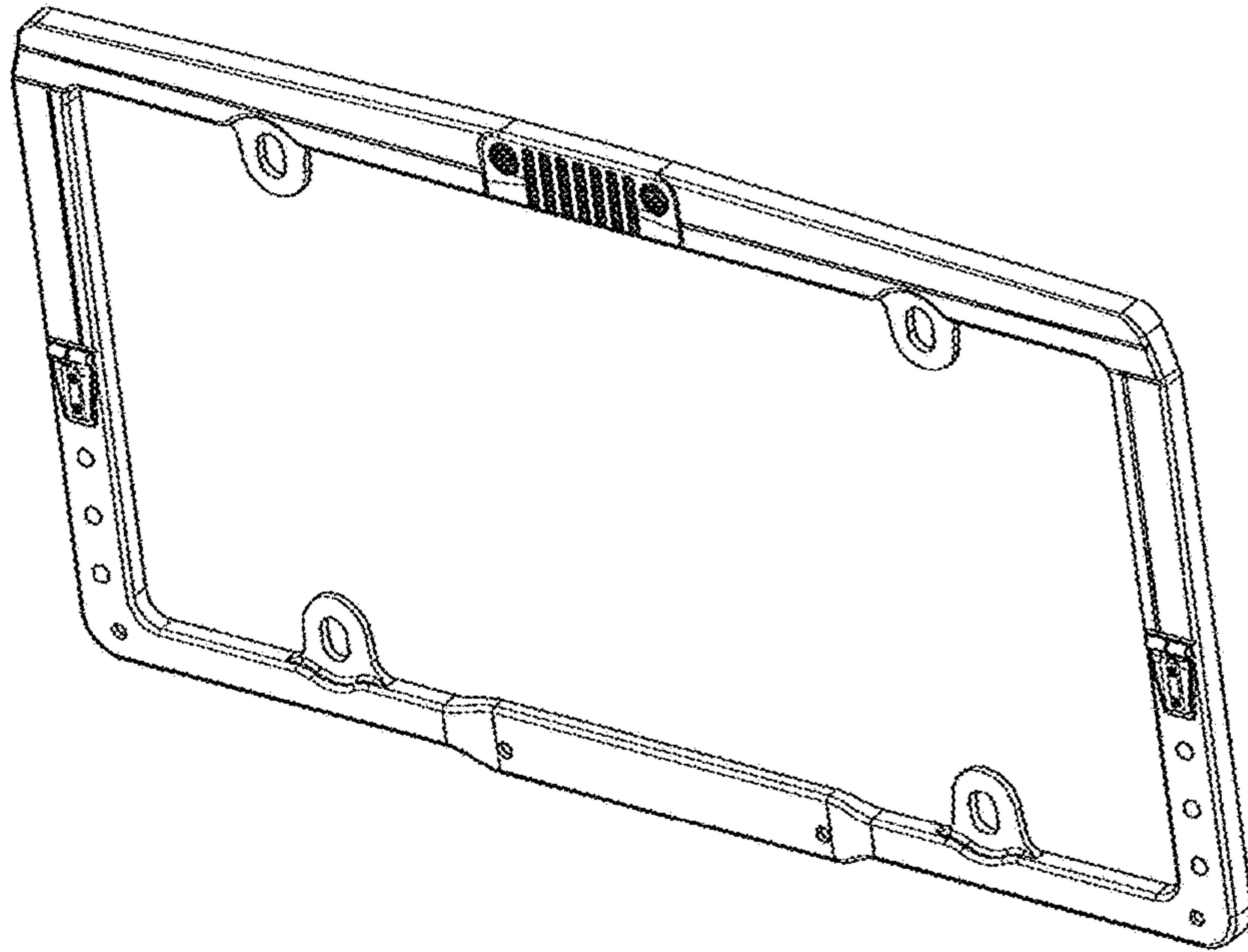


Figure 7

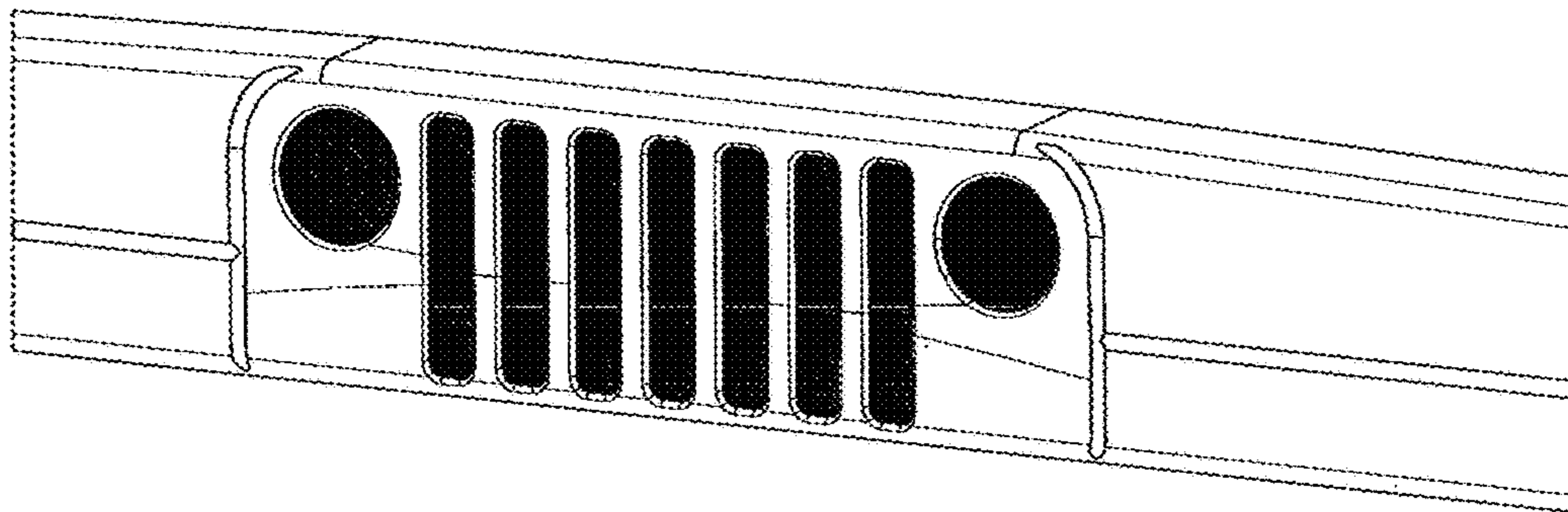


Figure 8