



US00D780650S

(12) **United States Design Patent** (10) **Patent No.:** **US D780,650 S**
Spencer et al. (45) **Date of Patent:** **** Mar. 7, 2017**

(54) **LICENSE PLATE FRAME**

FOREIGN PATENT DOCUMENTS

(71) Applicant: **Cruiser Accessories, LLC**, Monument, CO (US)

CN 203692672 U * 4/2013
CN 203776247 U * 8/2014

(Continued)

(72) Inventors: **Todd Spencer**, Monument, CO (US);
Timothy J. Nevin, Monument, CO (US); **Michael J. Schwartz**, Colorado Springs, CO (US)

OTHER PUBLICATIONS

“Stiletto, White” Jul. 16, 2013, Cruiser Accessories, site visited Aug. 25, 2016 <<https://www.cruiserframes.com/license-plate-frames/stiletto.asp?catid=ED9D72E6729D43D883F1AD60D6C299D0>>.*

(Continued)

(73) Assignee: **Cruiser Accessories, LLC**, Monument, CO (US)

(**) Term: **15 Years**

Primary Examiner — Kevin Rudzinski
Assistant Examiner — Paul Bohannon

(21) Appl. No.: **29/528,459**

(74) *Attorney, Agent, or Firm* — Linda Flewellen Gould

(22) Filed: **May 28, 2015**

(51) **LOC (10) Cl.** **12-16**

(52) **U.S. Cl.**

USPC **D12/193**

(58) **Field of Classification Search**

USPC D12/193, 223; D2/965; 36/34 R, 24.5; 280/14; D6/661, 657, 674, 300

CPC A43B 21/00; A43B 21/52; A43B 21/265; A43B 21/26; A43B 21/144; A43B 13/34; A63C 10/06; A63C 10/24; A63C 10/106

See application file for complete search history.

(57) **CLAIM**

The ornamental design for a license plate frame, as shown and described.

DESCRIPTION

FIG. 1 is a front view showing our new design for a license plate frame.

FIG. 2 is a back view of the license plate frame of the present invention.

FIG. 3 is a right side view of the license plate frame of the present invention, the left side view being the mirror image thereof.

FIG. 4 is a bottom view of the license plate frame of the present invention.

FIG. 5 is a front perspective view of the license plate frame of the present invention; and,

FIG. 6 is a back perspective view of the license plate frame of the present invention.

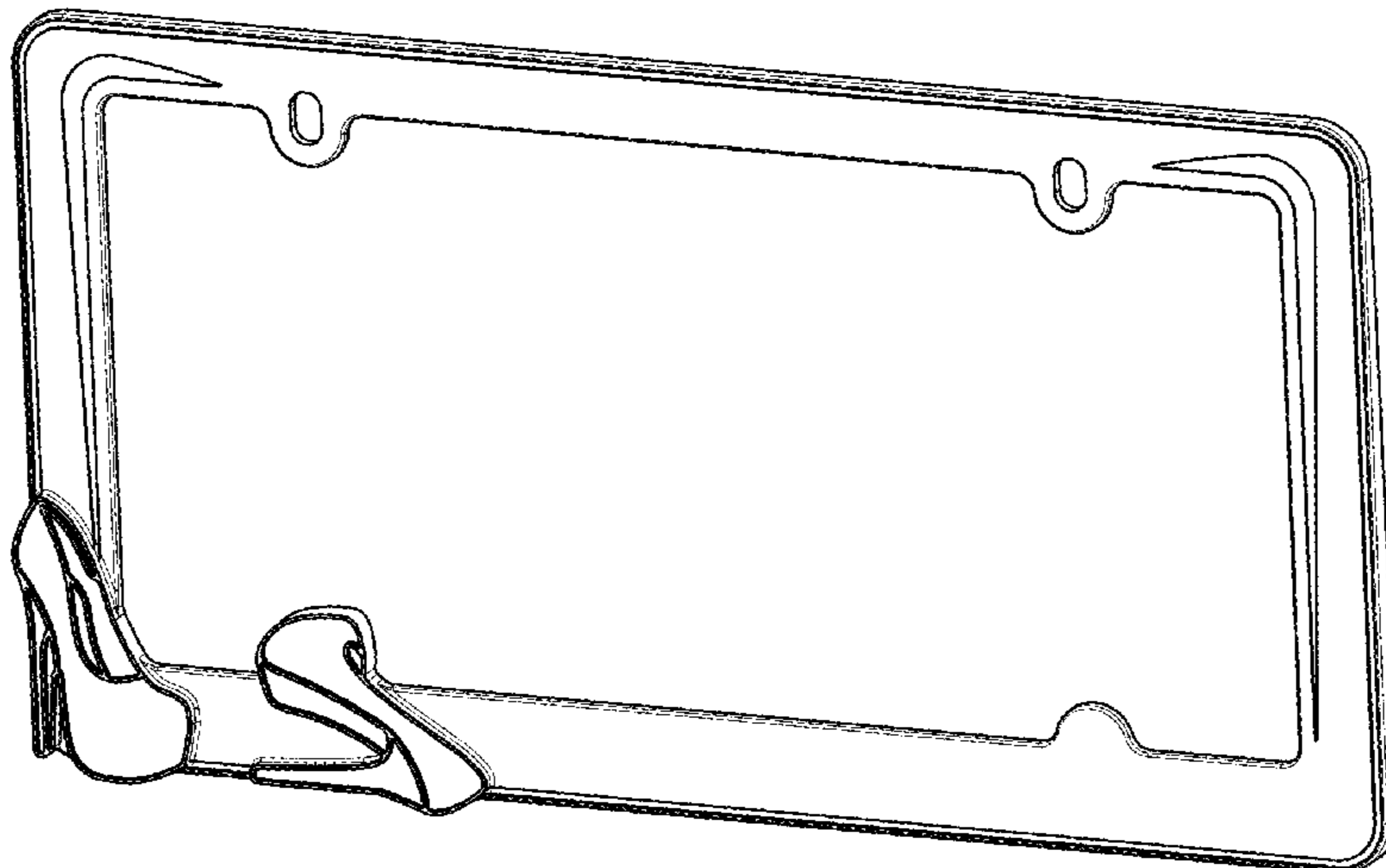
(56) **References Cited**

U.S. PATENT DOCUMENTS

2,752,698	A *	7/1956	Levine	A43B 21/00 36/34 R
2,795,866	A *	6/1957	Perugia	A43B 13/34 36/24.5
2,795,867	A *	6/1957	Zuckerman	A43B 13/34 36/24.5
D416,527	S *	11/1999	Steinhagen	D12/193
D580,642	S *	11/2008	Guers-Neyraud	D2/965
7,520,526	B2 *	4/2009	Muscatelli	A63C 10/06 280/14.22
D659,061	S *	5/2012	Krankkala	D12/193
D705,712	S *	5/2014	Spencer	D12/193

(Continued)

1 Claim, 3 Drawing Sheets



(56)

References Cited

U.S. PATENT DOCUMENTS

9,301,575 B2 * 4/2016 Hwang A43B 21/265
9,326,565 B1 * 5/2016 Davis A43B 21/52

FOREIGN PATENT DOCUMENTS

DE 202010008174 U1 * 7/2011
KR 2014031043 A * 9/2012

OTHER PUBLICATIONS

“License Plates And Frames On Sale” Feb. 18, 2014, Sears, site visited Sep. 7, 2016 <<http://www.sears.com/automotive-basics-emergency-travel-general-items-license-plates-and-frames/b-1289771665?Brand=Cruiser%20Accessories&offer=All%20Items%20On%20Sale&filterList=Brand%7Coffer&pageNum=3>>.*

* cited by examiner

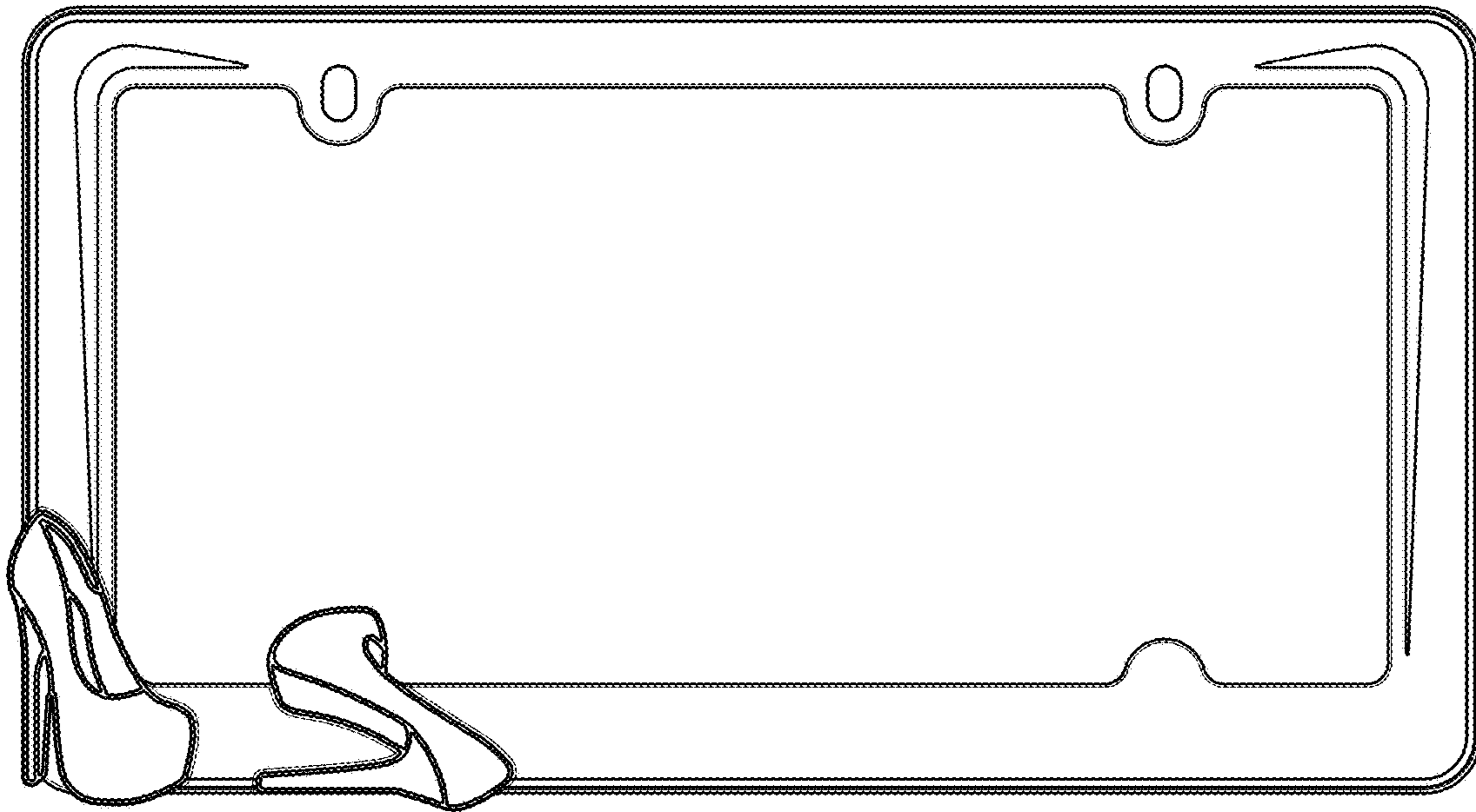


Figure 1

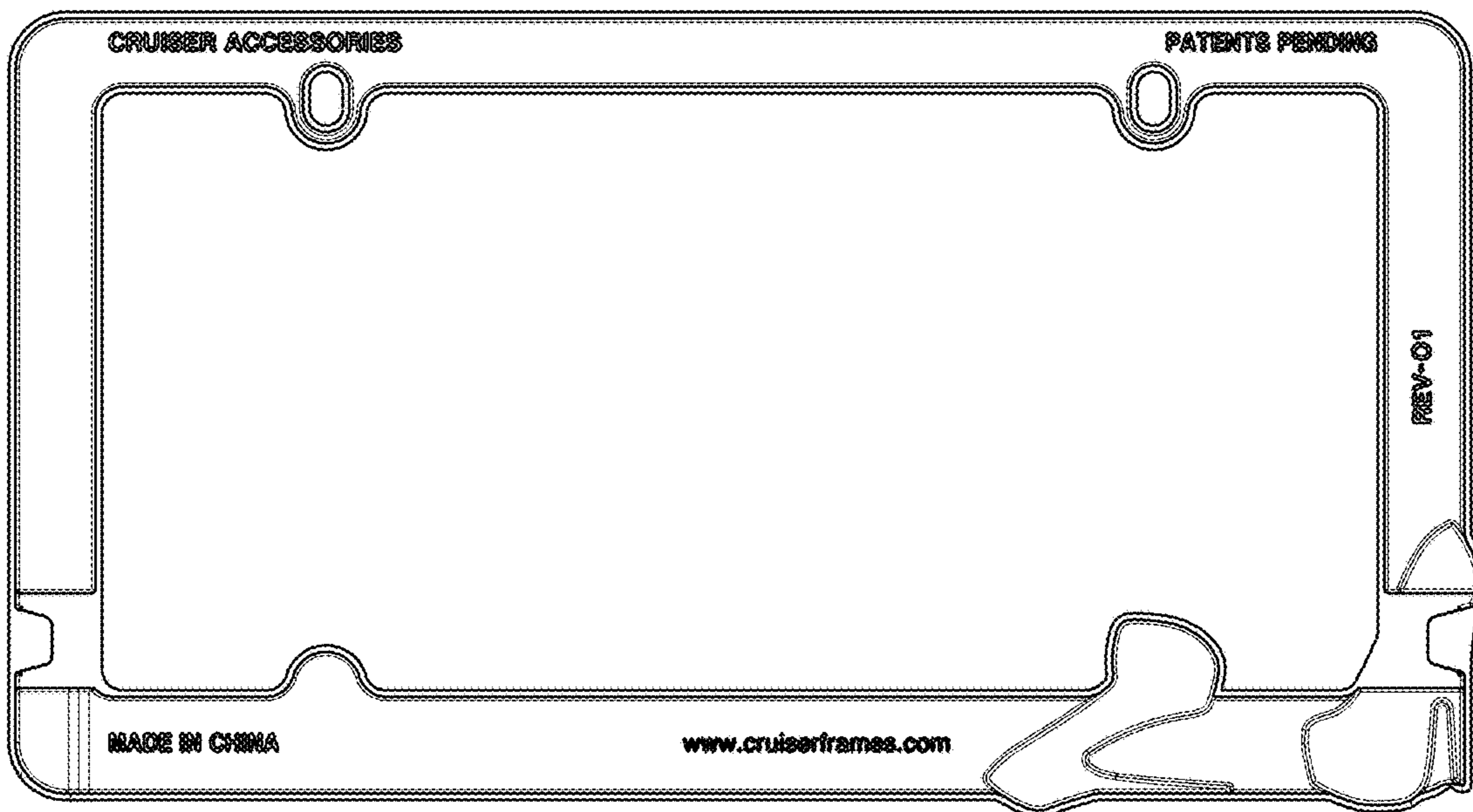


Figure 2

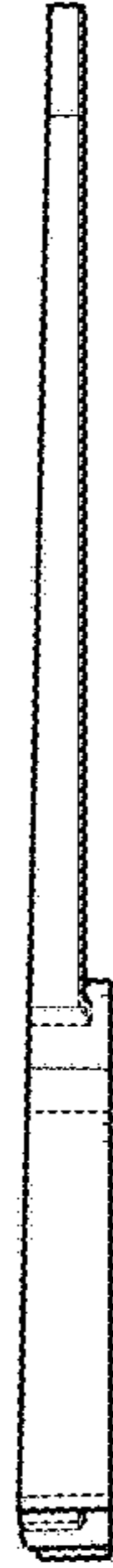


Figure 3

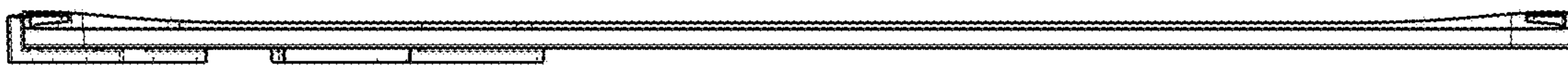


Figure 4

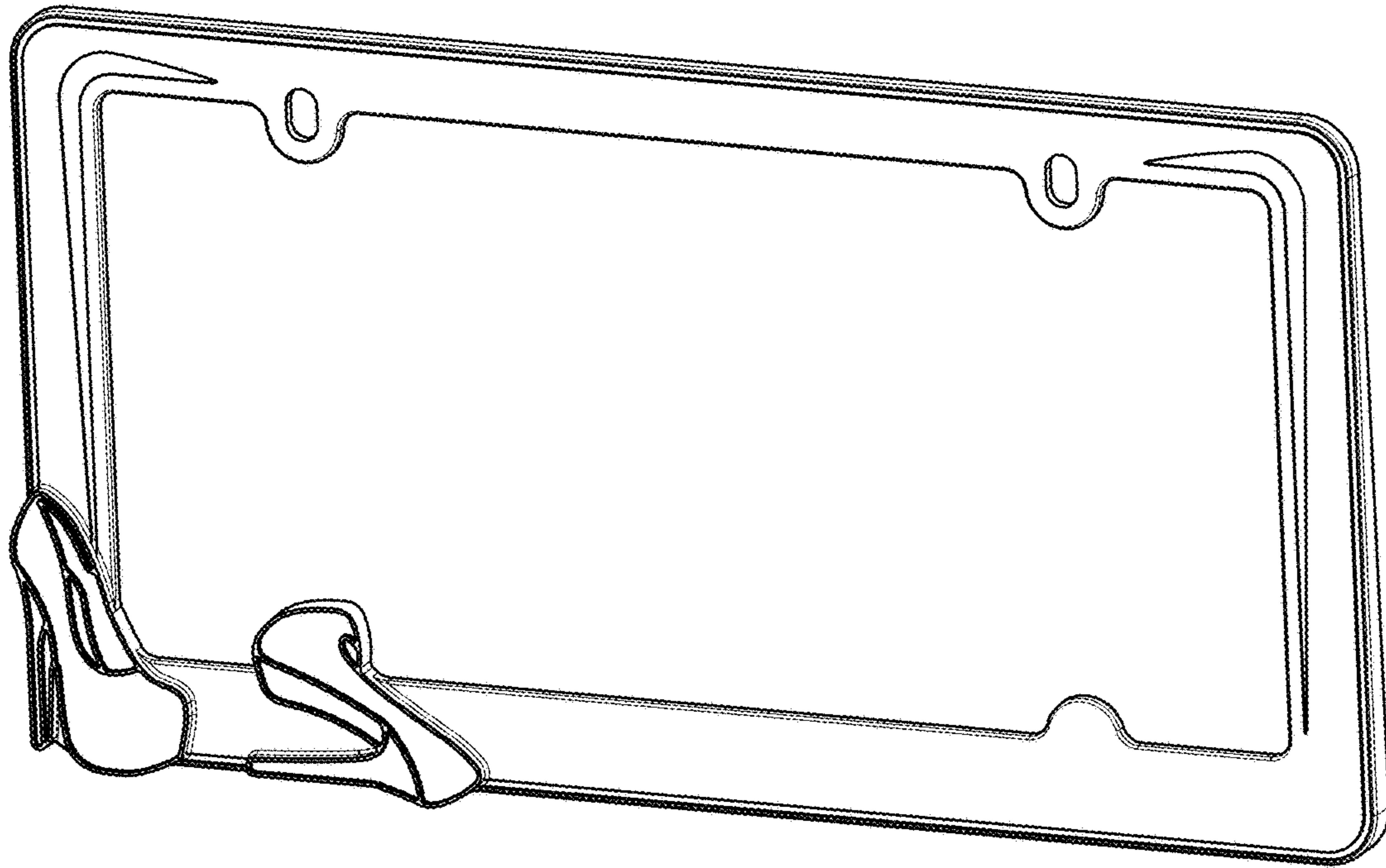


Figure 5

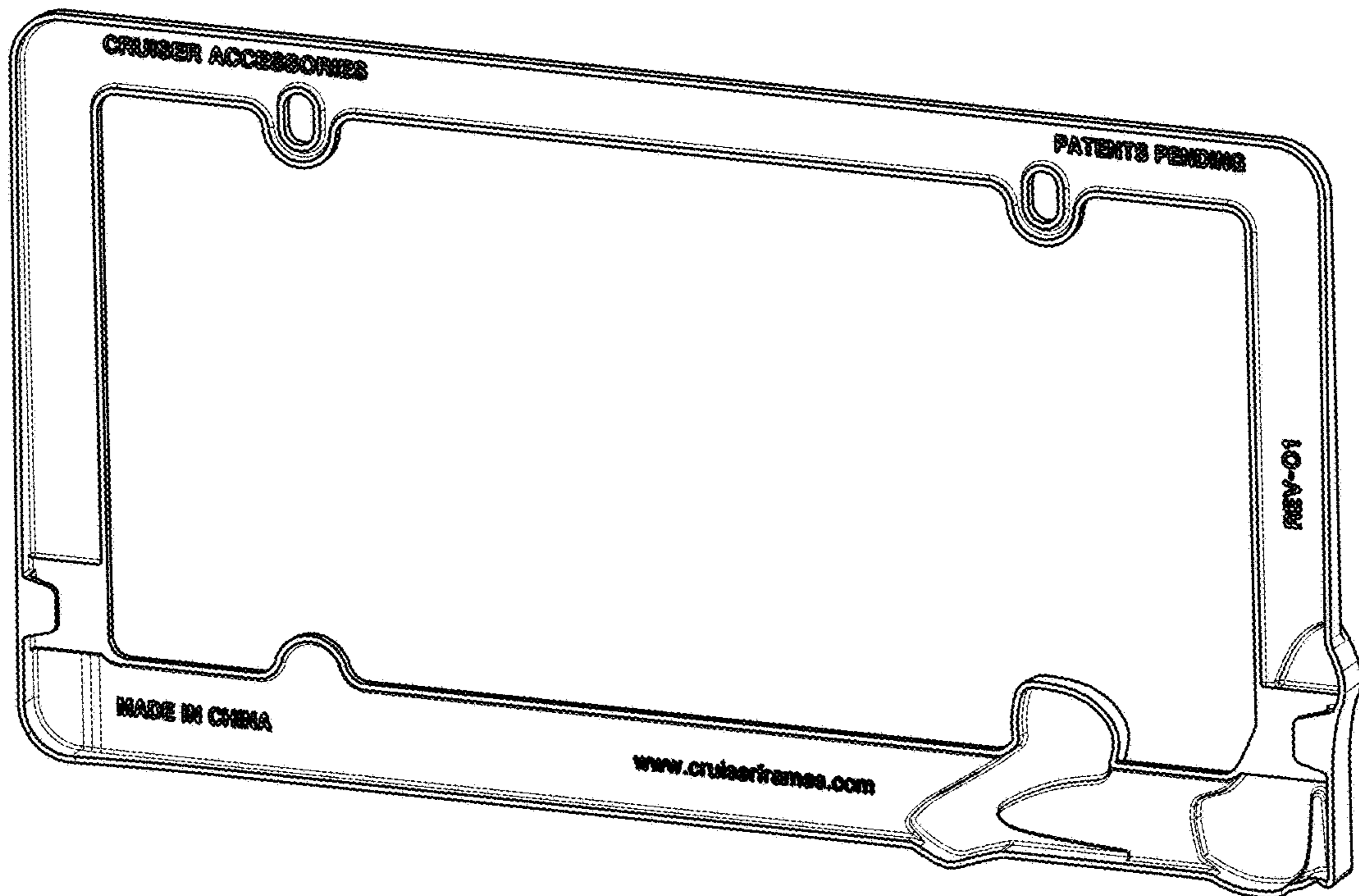


Figure 6