



US00D780649S

(12) **United States Design Patent** (10) **Patent No.:** **US D780,649 S**
Tanaka et al. (45) **Date of Patent:** **** Mar. 7, 2017**

(54) **INSTRUMENT PANEL FOR A MOTOR VEHICLE**

(71) Applicants: **Shunsuke Tanaka**, Nisshin (JP);
William Luther Chergosky, Newport Beach, CA (US)

(72) Inventors: **Shunsuke Tanaka**, Nisshin (JP);
William Luther Chergosky, Newport Beach, CA (US)

(73) Assignee: **Toyota Jidosha Kabushiki Kaisha**,
Toyota-shi, Aichi-ken (JP)

(**) Term: **15 Years**

(21) Appl. No.: **29/552,345**

(22) Filed: **Jan. 21, 2016**

(30) **Foreign Application Priority Data**

Jul. 23, 2015 (JP) 2015-016432

(51) **LOC (10) Cl.** **12-16**

(52) **U.S. Cl.**
USPC **D12/192**

(58) **Field of Classification Search**
USPC D12/192, 415, 110, 114; D15/17, 28;
D10/46.98, 102-103, 122-127
CPC ... G08G 1/096883; G01C 21/30; G01C 21/16;
G01C 21/3688
See application file for complete search history.

(56) **References Cited**

U.S. PATENT DOCUMENTS

D705,711 S * 5/2014 Yamamoto D12/192
D726,612 S * 4/2015 Wiedeman D12/192
D727,231 S * 4/2015 Narita D12/192
D730,793 S * 6/2015 Ishikawa D12/192
D731,940 S * 6/2015 Okabe D12/192

D733,021 S * 6/2015 Takagi D12/192
D737,186 S * 8/2015 Nakao D12/192
D762,152 S * 7/2016 Inagaki D12/192
D763,154 S * 8/2016 Chang D12/192
D763,155 S * 8/2016 Sahs D12/192

OTHER PUBLICATIONS

Catalog of SAI; Publisher: TOYOTA; Model: Toyota SAI; Mfg.: TOYOTA; Publication Date: Sep. 1, 2009.
Netcarshow.com, URL: http://www.netcarshow.com/nissan/2014-leaf/1024x768/wallpaper_46.htm; Model: Nissan Leaf (2014); Mfg.: Nissan; available on at least Jul. 1, 2014.
Netcarshow.com, URL: http://www.netcarshow.com/renault/2013-clio/1024x768/wallpaper_4f.htm; Model: Renault Clio (2013); Mfg. Renault available on at least Jul. 1, 2014.

* cited by examiner

Primary Examiner — Katrina A Betton
(74) *Attorney, Agent, or Firm* — Finnegan, Henderson, Farabow, Garrett & Dunner, L.L.P.

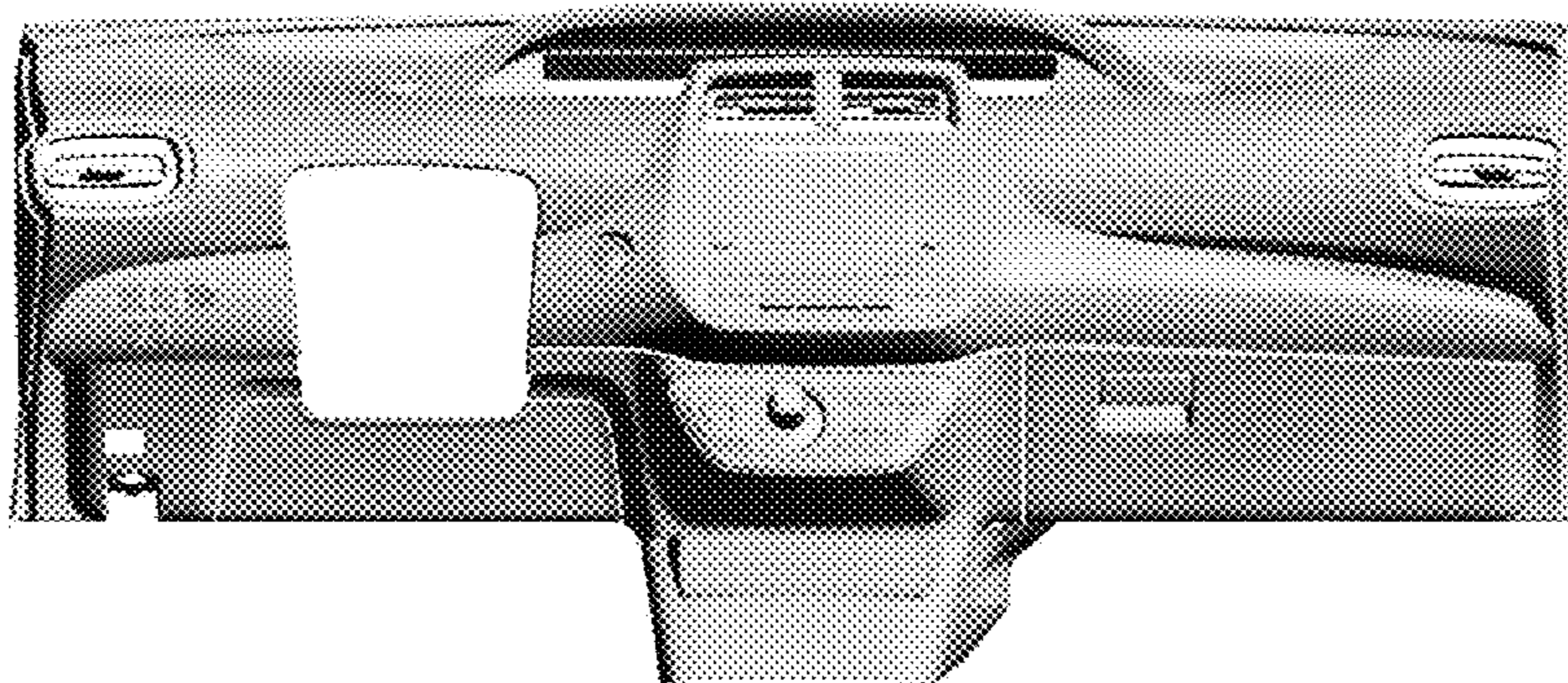
(57) **CLAIM**

The ornamental design for an instrument panel for a motor vehicle, as shown and described.

DESCRIPTION

FIG. 1 is a front perspective view of an instrumental panel for a motor vehicle showing our new design;
FIG. 2 is a front view thereof;
FIG. 3 is a rear view thereof;
FIG. 4 is a right side view thereof;
FIG. 5 is a left side view thereof;
FIG. 6 is a top view thereof; and,
FIG. 7 is a bottom view thereof.
Our design includes a mirror image of the embodiment depicted.

1 Claim, 7 Drawing Sheets



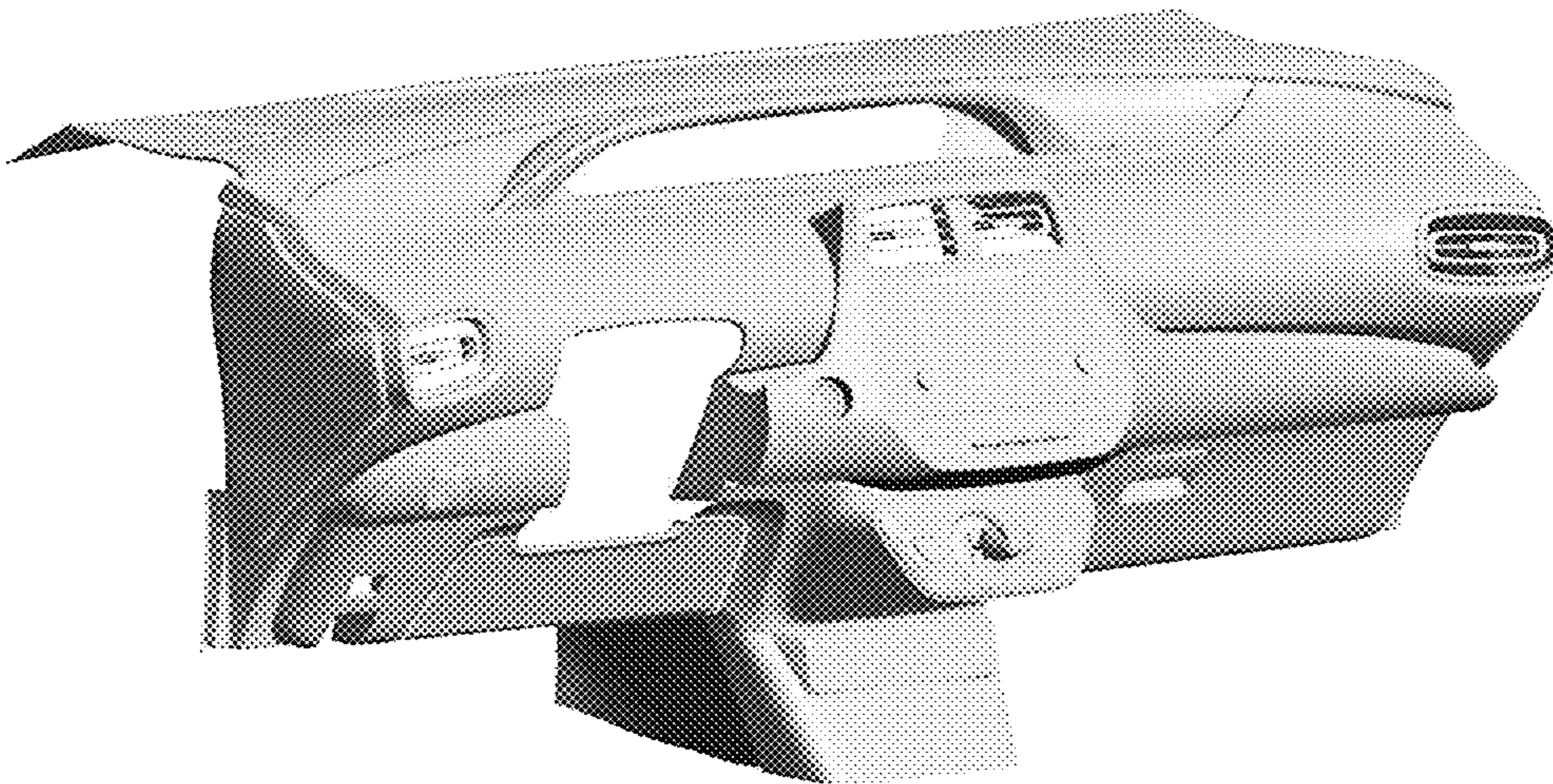


FIG. 1

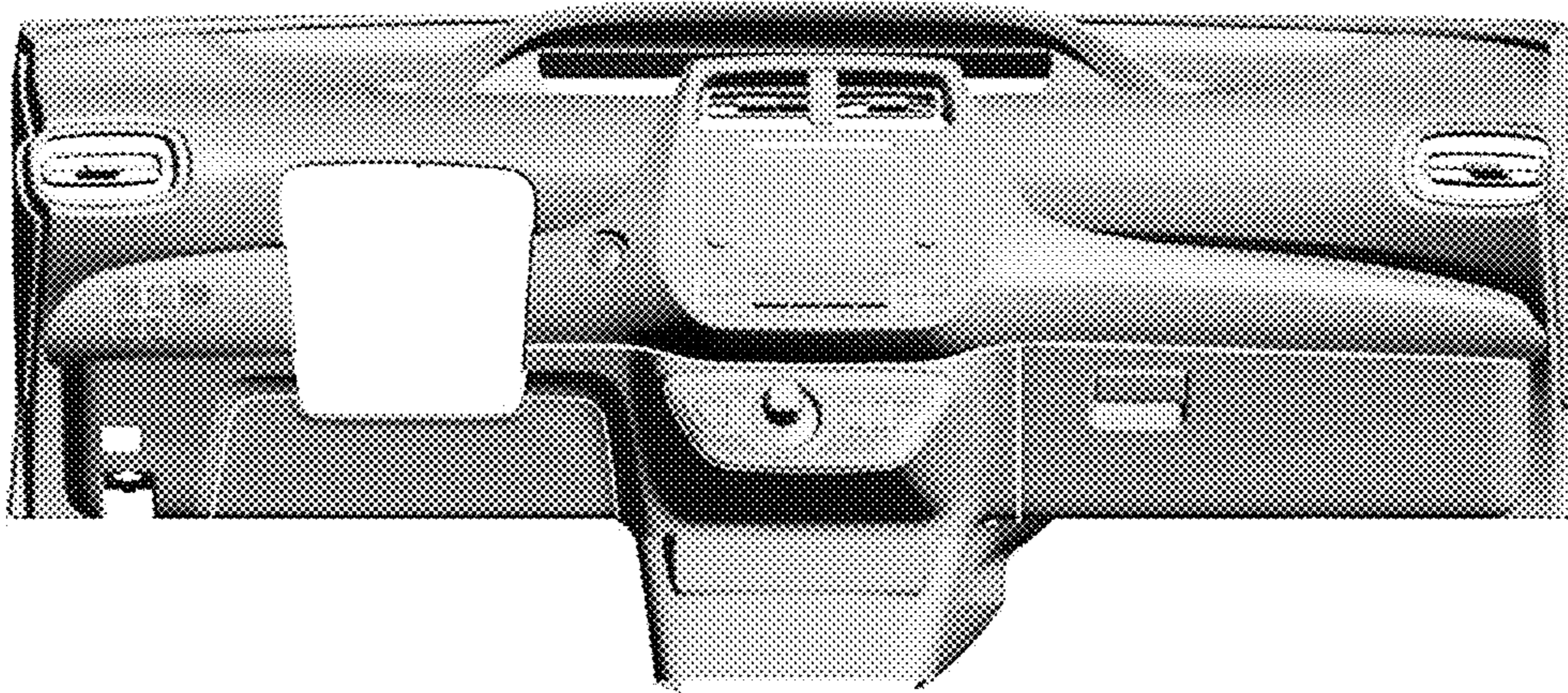


FIG. 2

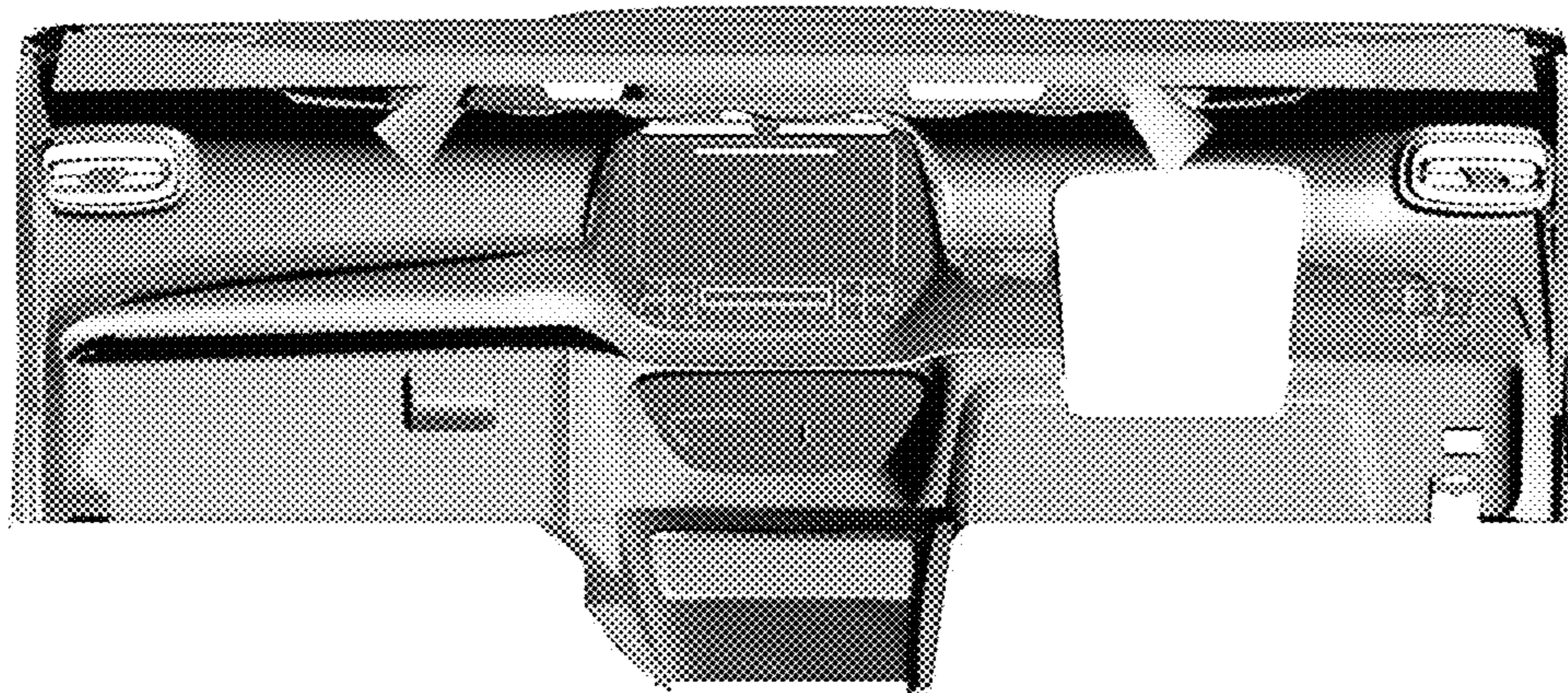


FIG. 3

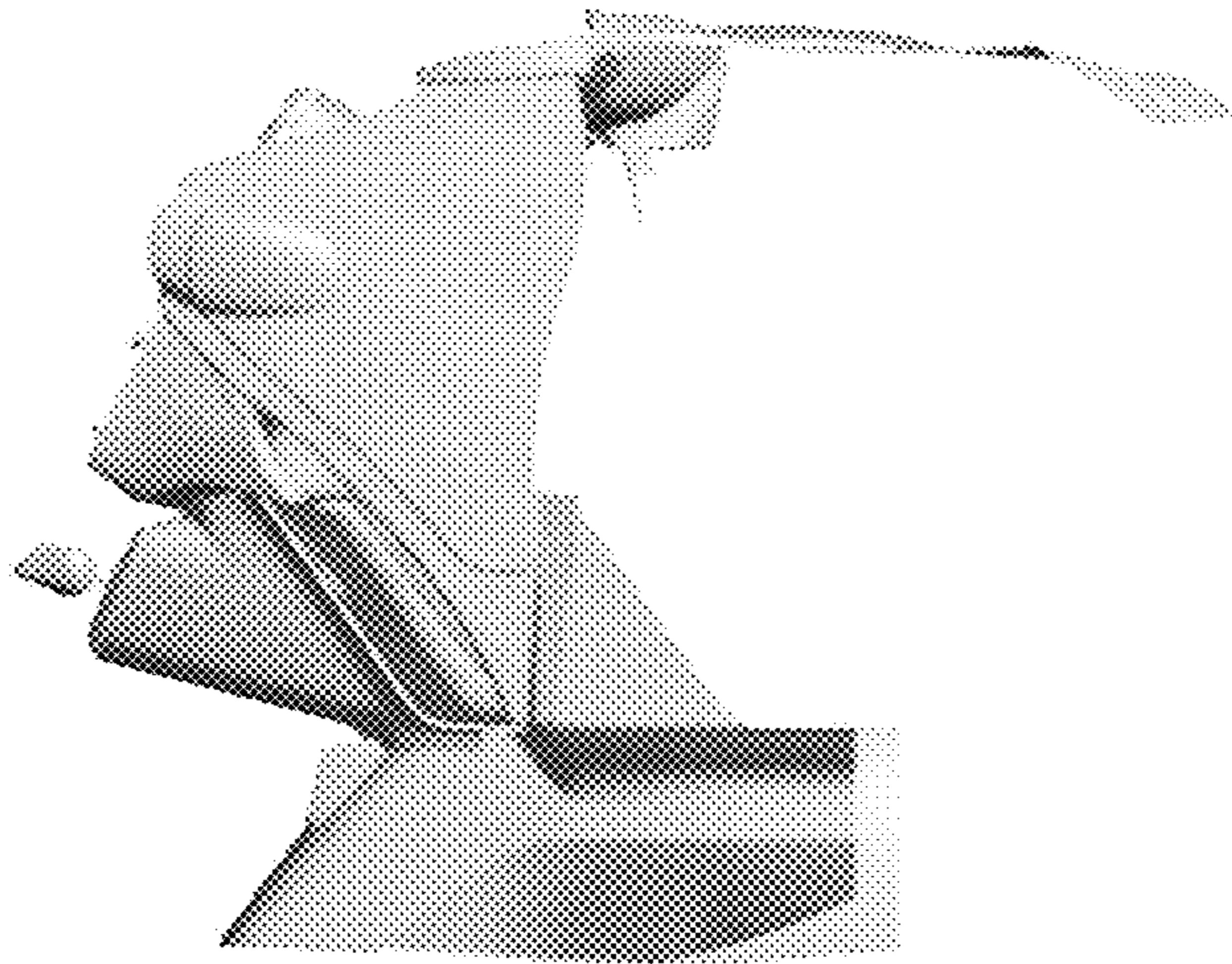


FIG. 4

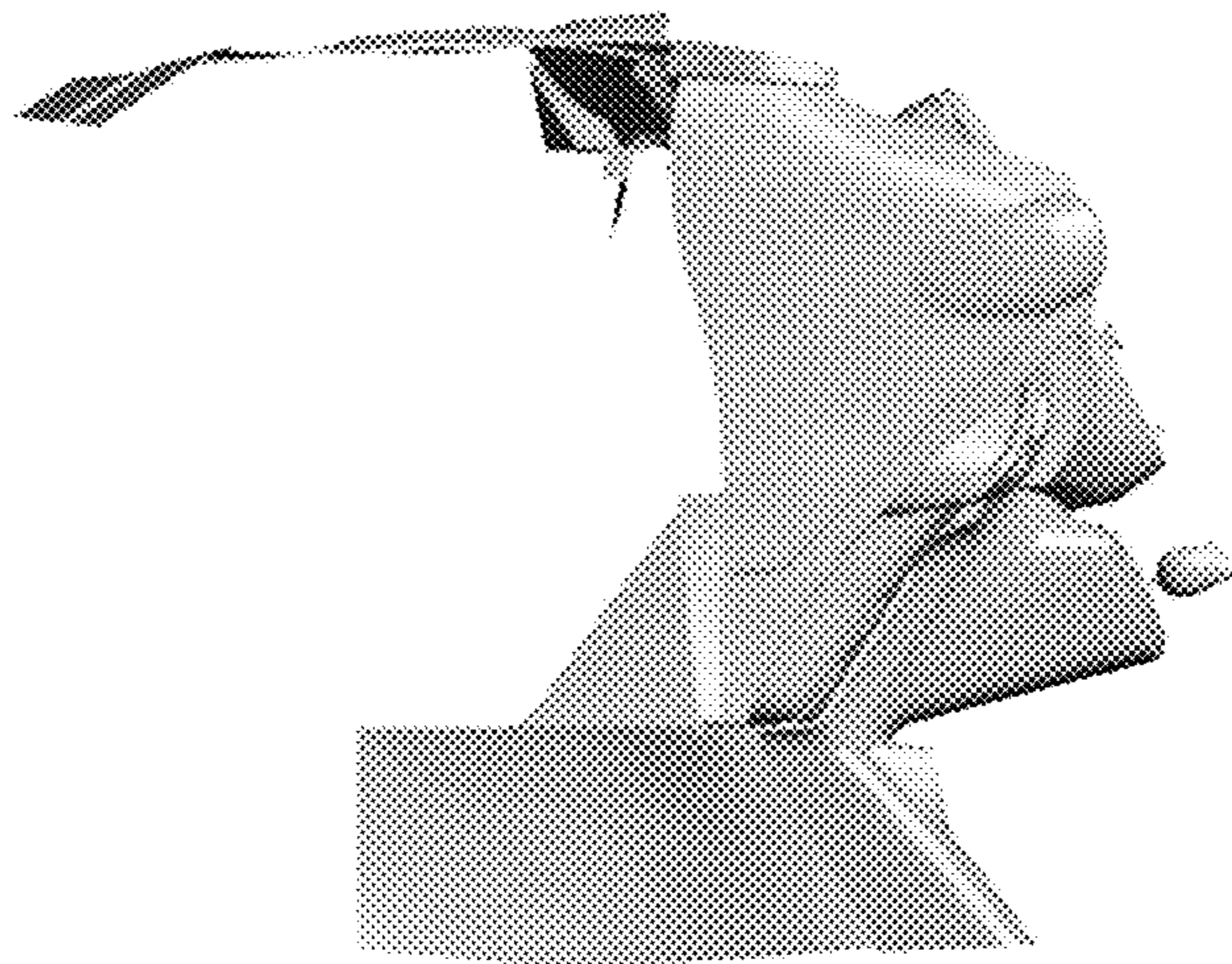


FIG. 5

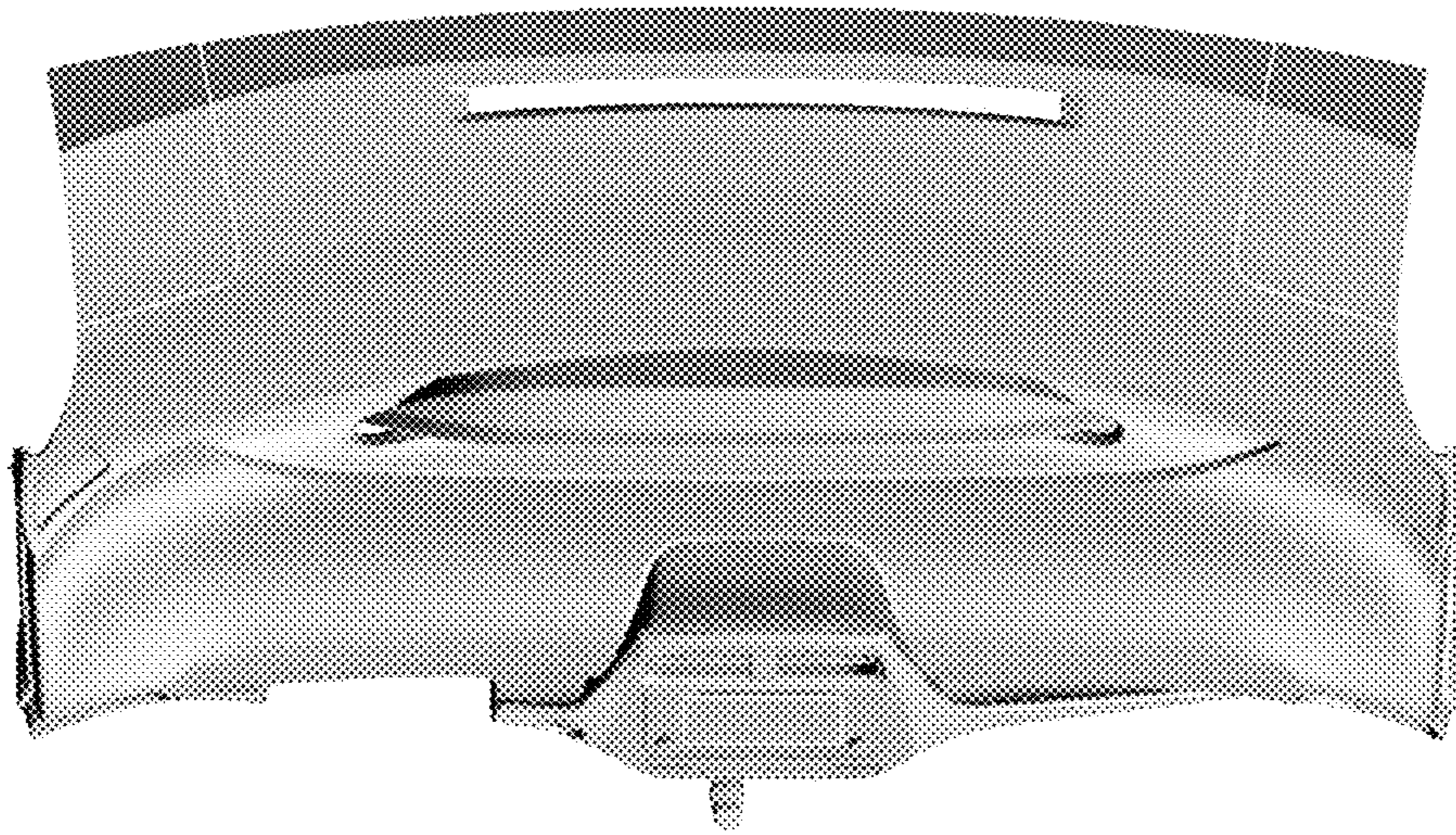


FIG. 6

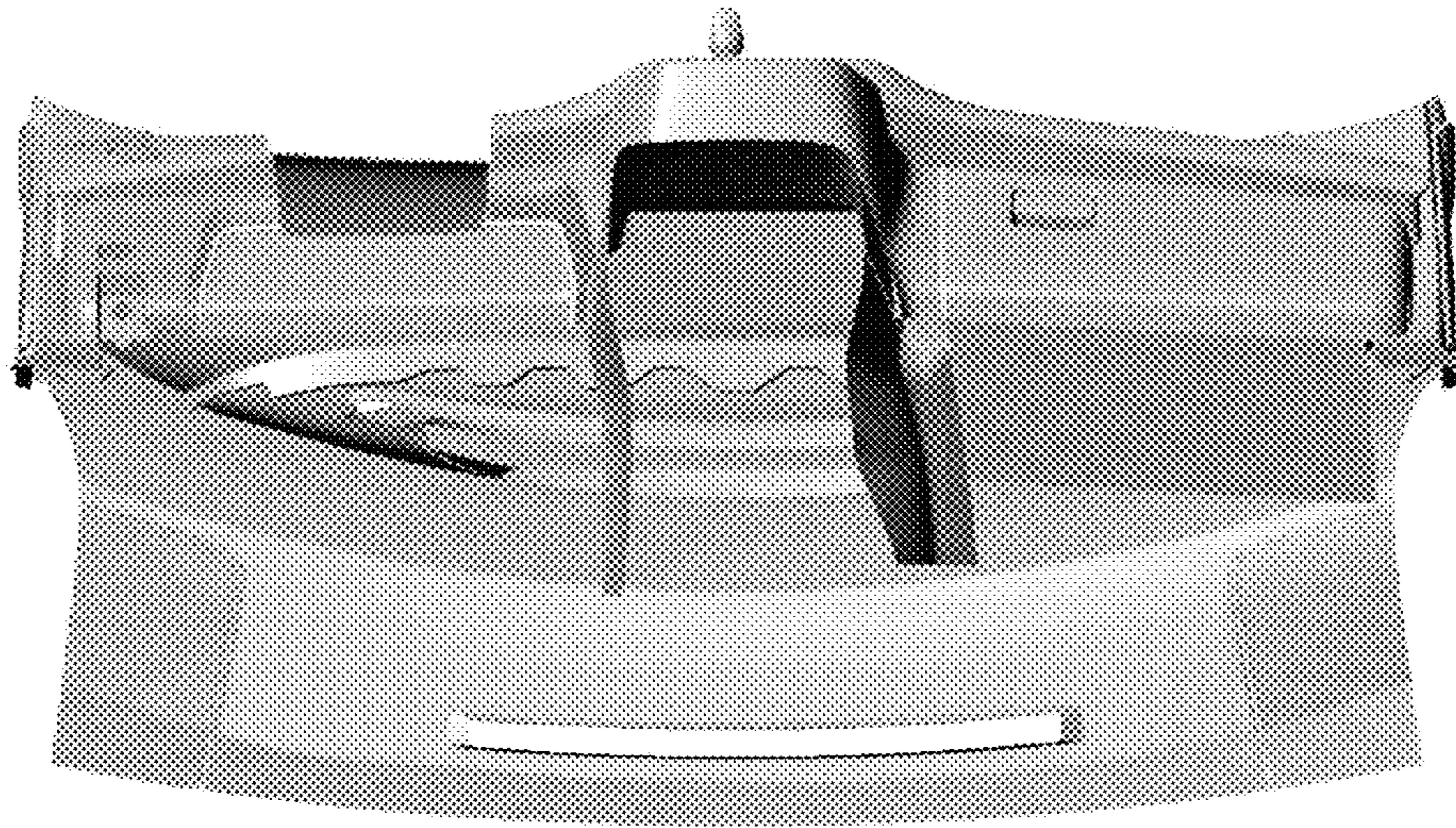


FIG. 7