



US00D780648S

(12) **United States Design Patent** (10) **Patent No.:** **US D780,648 S**
Pereira et al. (45) **Date of Patent:** **** Mar. 7, 2017**

(54) **ROOF COMPONENT FOR A MOTOR VEHICLE**

(71) Applicant: **SABIC Global Technologies B.V.**,
Bergen op Zoom (NL)

(72) Inventors: **Carlos Pereira**, Putnam Valley, NY
(US); **Geert Jan Schellekens**, Gilze
(NL)

(73) Assignee: **SABIC GLOBAL TECHNOLOGIES
B.V.** (NL)

(**) Term: **14 Years**

(21) Appl. No.: **29/521,548**

(22) Filed: **Mar. 24, 2015**

(51) **LOC (10) Cl.** **12-08**

(52) **U.S. Cl.**
USPC **D12/181**

(58) **Field of Classification Search**
USPC D12/181, 191, 196, 400, 190, 88
(Continued)

(56) **References Cited**

U.S. PATENT DOCUMENTS

D436,894 S * 1/2001 Barraclough D12/96
D475,657 S * 6/2003 Wong D12/401
(Continued)

Primary Examiner — Katrina A Betton

(74) *Attorney, Agent, or Firm* — Cantor Colburn LLP

(57) **CLAIM**

The ornamental design for an roof component for a motor vehicle, as shown and described.

DESCRIPTION

FIG. 1 is a front perspective view of a roof component for a motor vehicle, showing our new design in a first embodiment;

FIG. 2 is a rear perspective view of the embodiment shown in FIG. 1;

FIG. 3 is a front elevation view of the embodiment shown in FIG. 1;

FIG. 4 is a rear elevation view of the embodiment shown in FIG. 1;

FIG. 5 is a side elevation view of the embodiment shown in FIG. 1;

FIG. 6 is another side elevation view of the embodiment shown in FIG. 1;

FIG. 7 is a top plan view of the embodiment shown in FIG. 1;

FIG. 8 is a bottom plan view of the embodiment shown in FIG. 1;

FIG. 9 is another perspective view of the embodiment shown in FIG. 1, as shown in a motor vehicle environment;

FIG. 10 is a front perspective view of a roof component for a motor vehicle, showing our new design in another embodiment;

FIG. 11 is a rear perspective view of the embodiment shown in FIG. 10;

FIG. 12 is a front elevation view of the embodiment shown in FIG. 10;

FIG. 13 is a rear elevation view of the embodiment shown in FIG. 10;

FIG. 14 is a side elevation view of the embodiment shown in FIG. 10;

FIG. 15 is another side elevation view of the embodiment shown in FIG. 10;

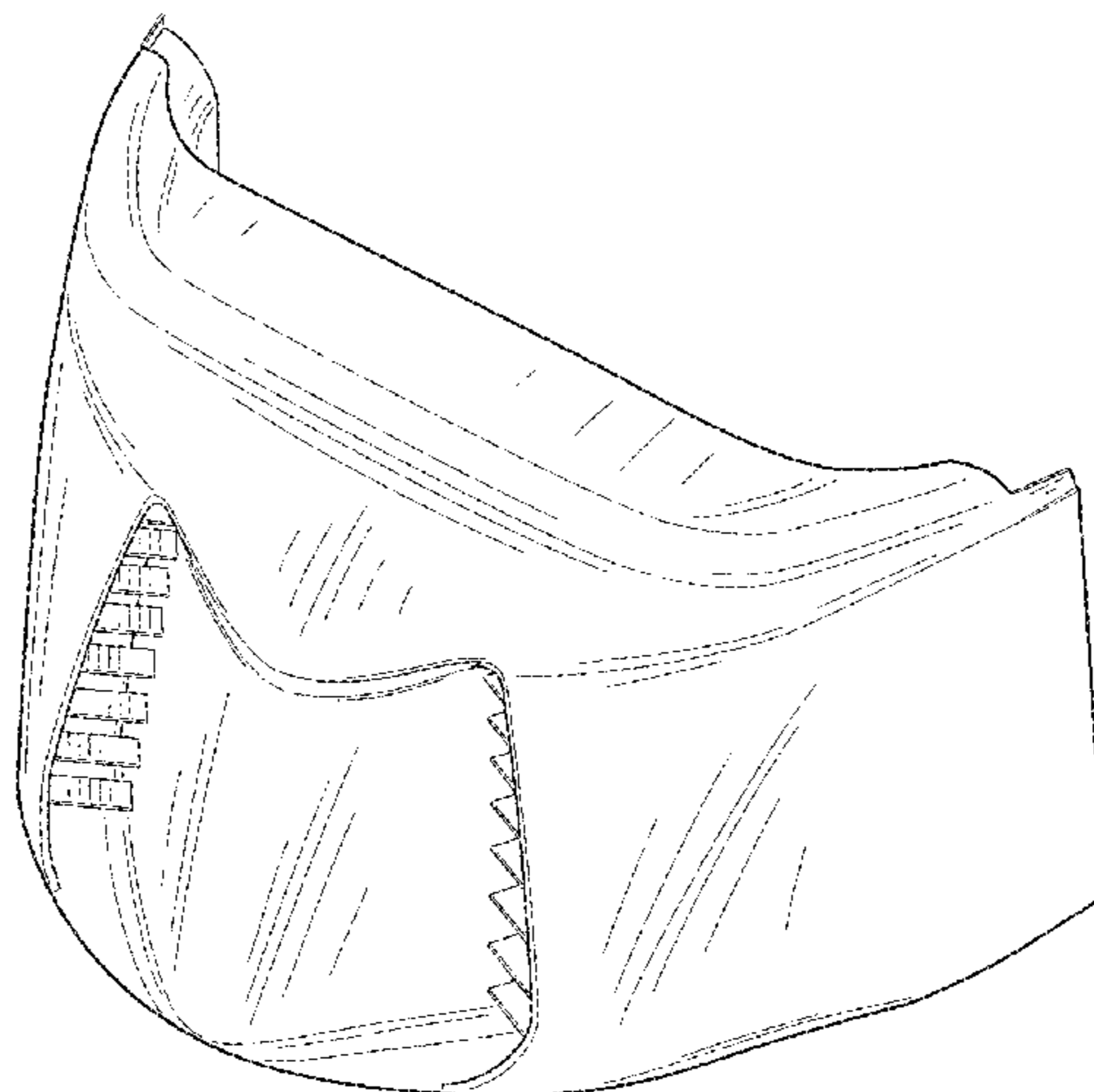
FIG. 16 is a top plan view of the embodiment shown in FIG. 10;

FIG. 17 is a bottom plan view of the embodiment shown in FIG. 10; and,

FIG. 18 is another perspective view of the embodiment shown in FIG. 10, as shown in a motor vehicle environment. The broken lines are for environmental purpose only and form no part of the claimed design.

The dash dot lines are boundary lines intended to define claimed and unclaimed areas of the design.

1 Claim, 12 Drawing Sheets



(58) **Field of Classification Search**

CPC B60R 13/04
See application file for complete search history.

(56) **References Cited**

U.S. PATENT DOCUMENTS

D555,597 S	*	11/2007	Phung	D13/133
D595,628 S	*	7/2009	Boyd	D12/181
D666,541 S	*	9/2012	Stimel, Jr.	D12/181
D687,359 S	*	8/2013	Peltola	D12/181
D710,773 S	*	8/2014	Ito	D12/181
D752,488 S	*	3/2016	Peltola	D12/181
D760,633 S	*	7/2016	Peltola	D12/181

* cited by examiner

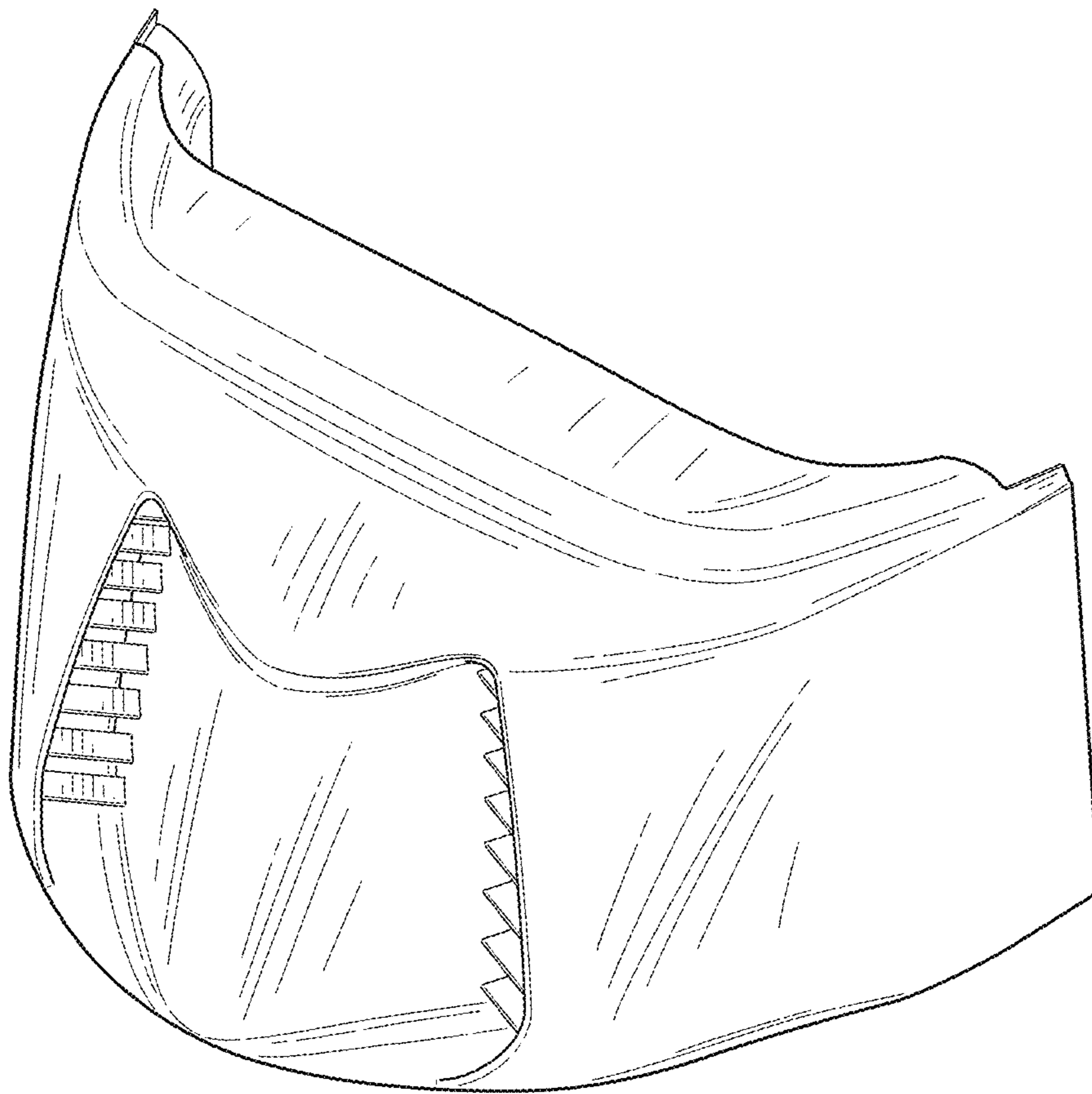


FIG. 1

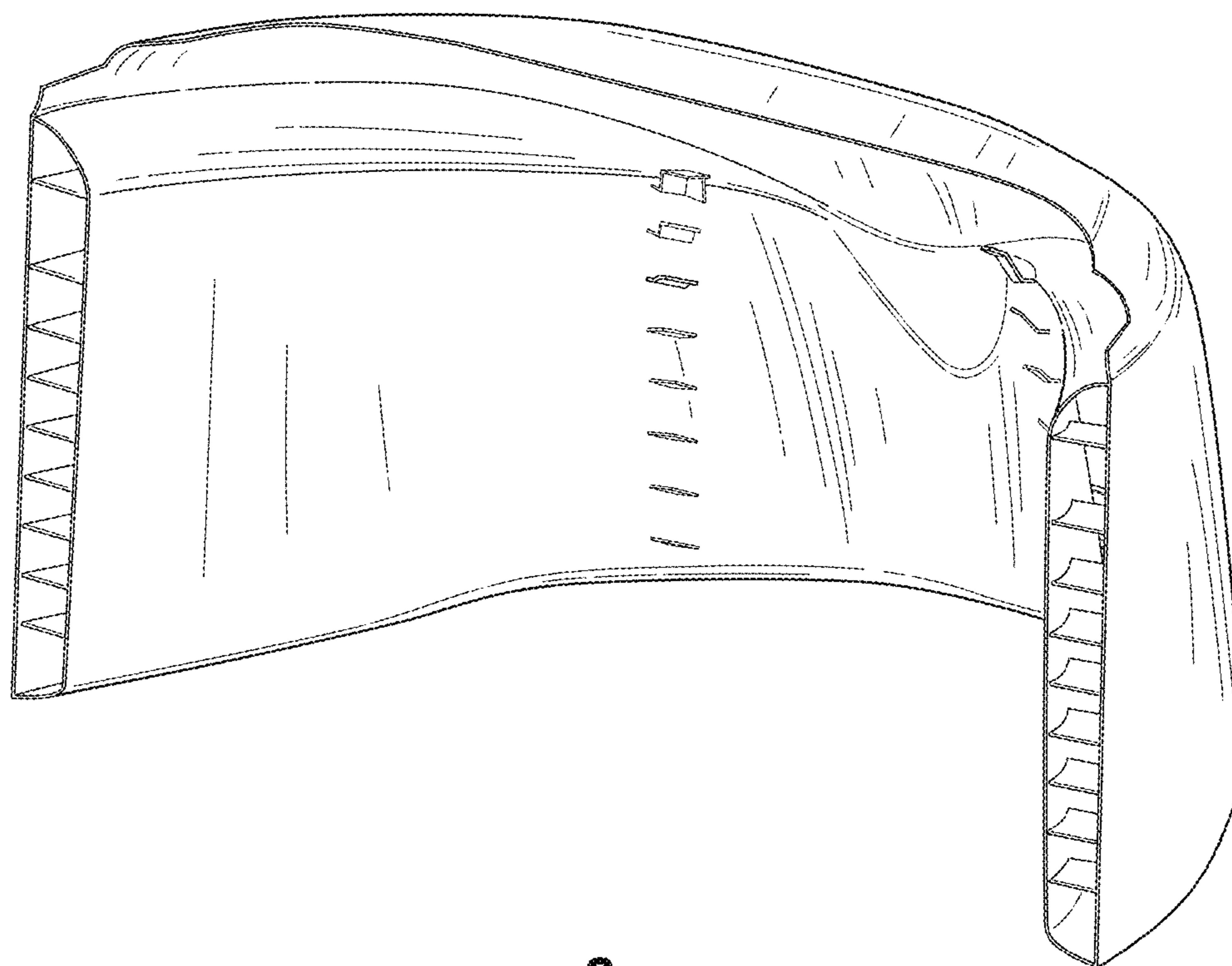


FIG. 2

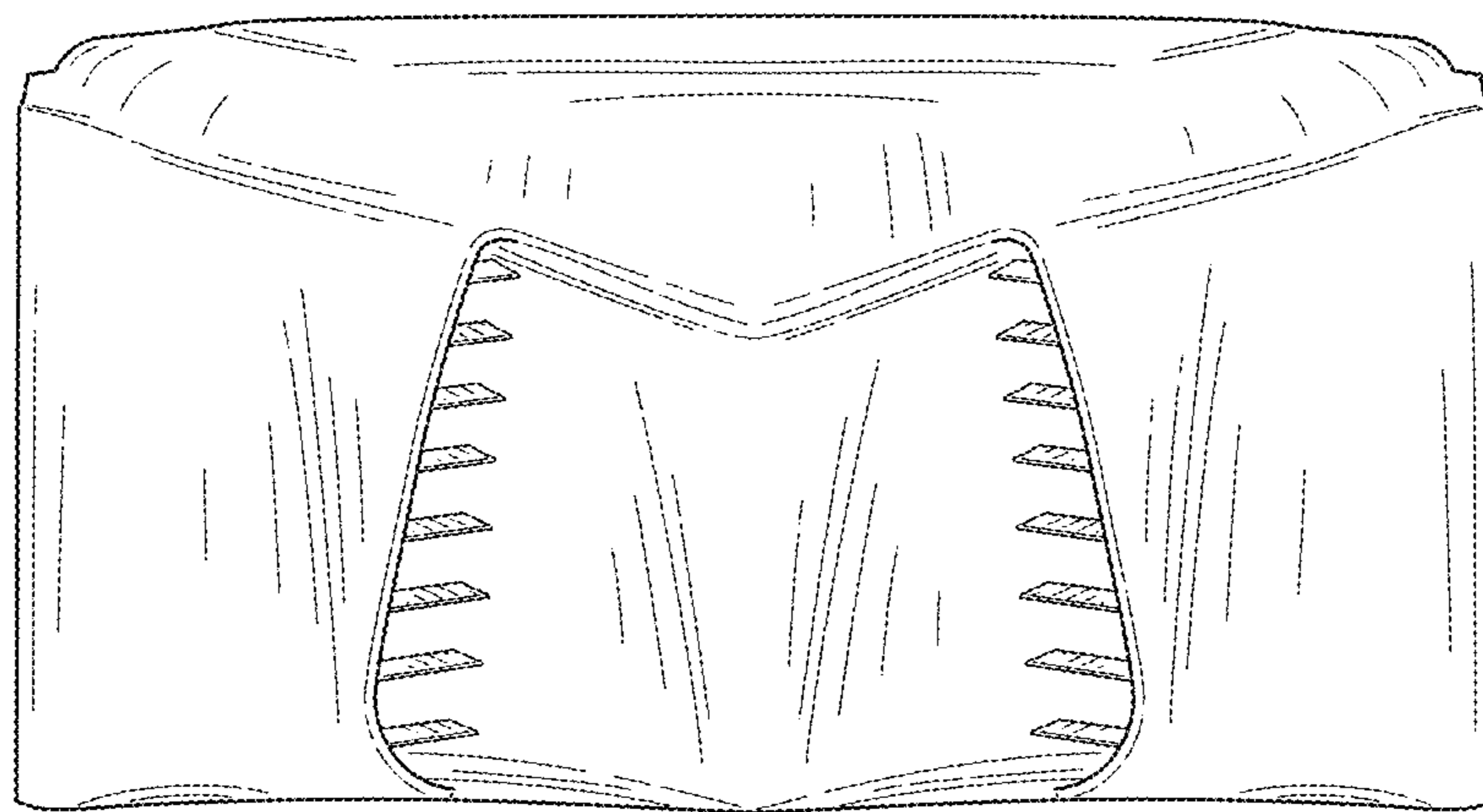


FIG. 3

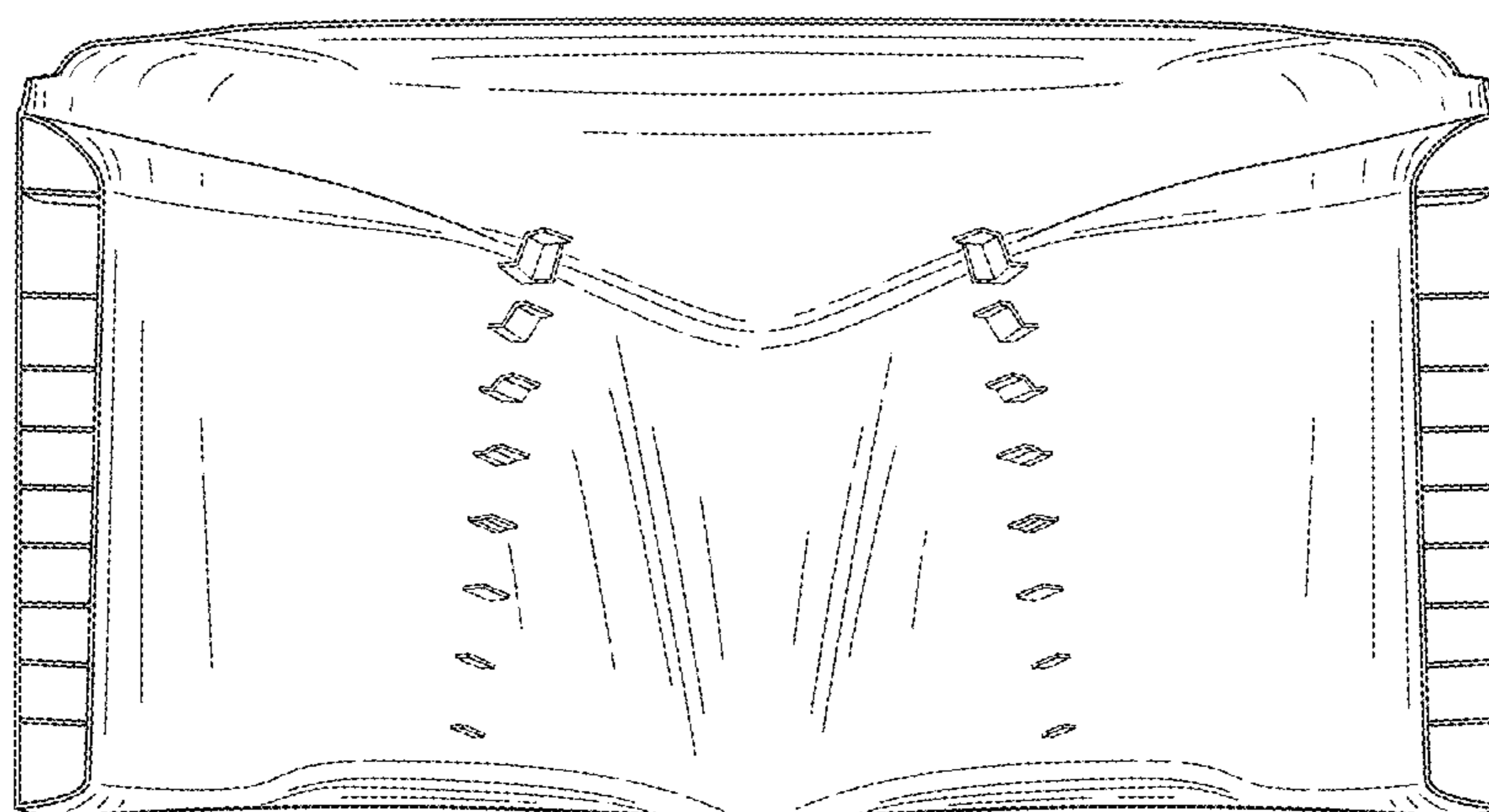


FIG. 4

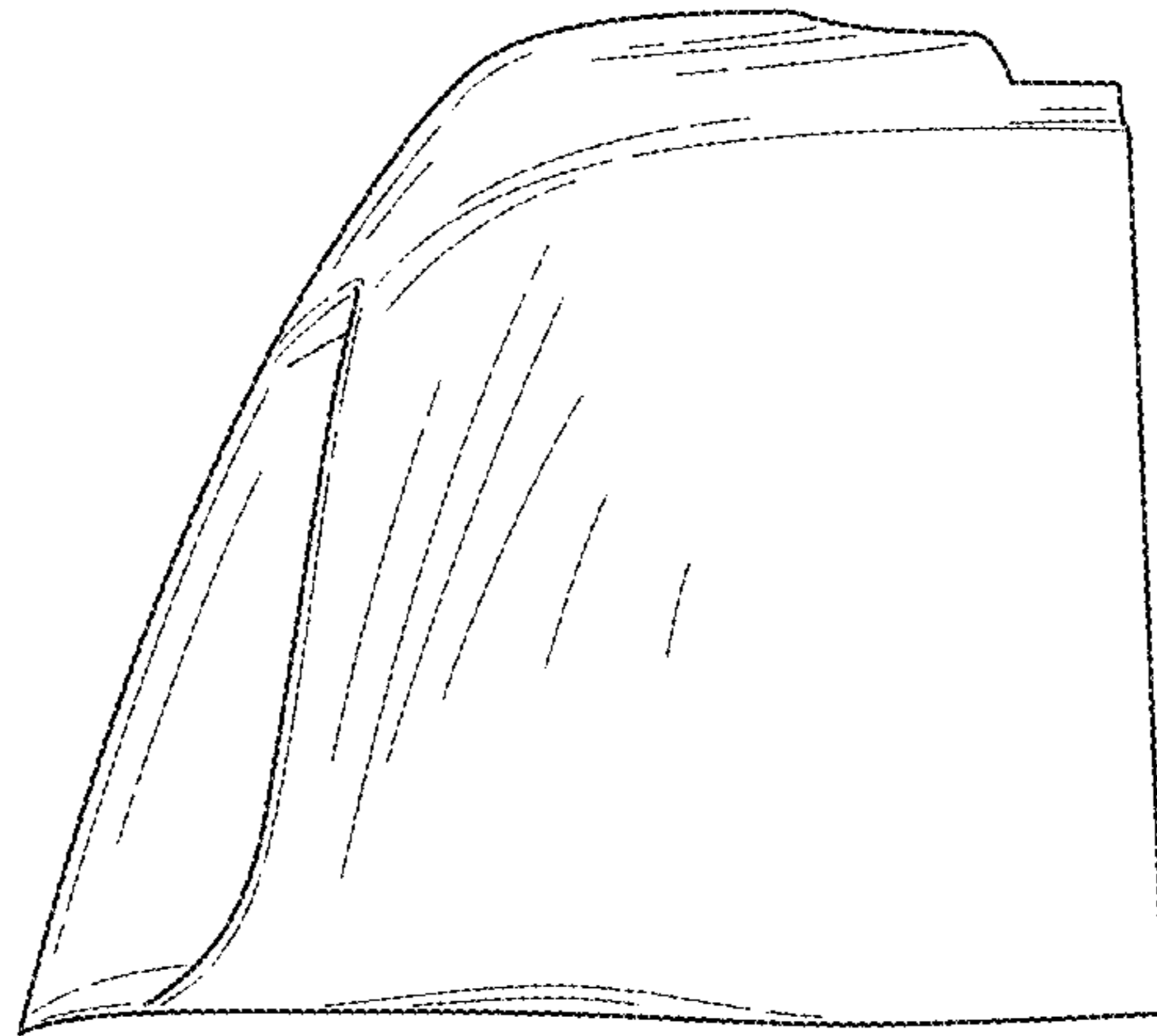


FIG. 5

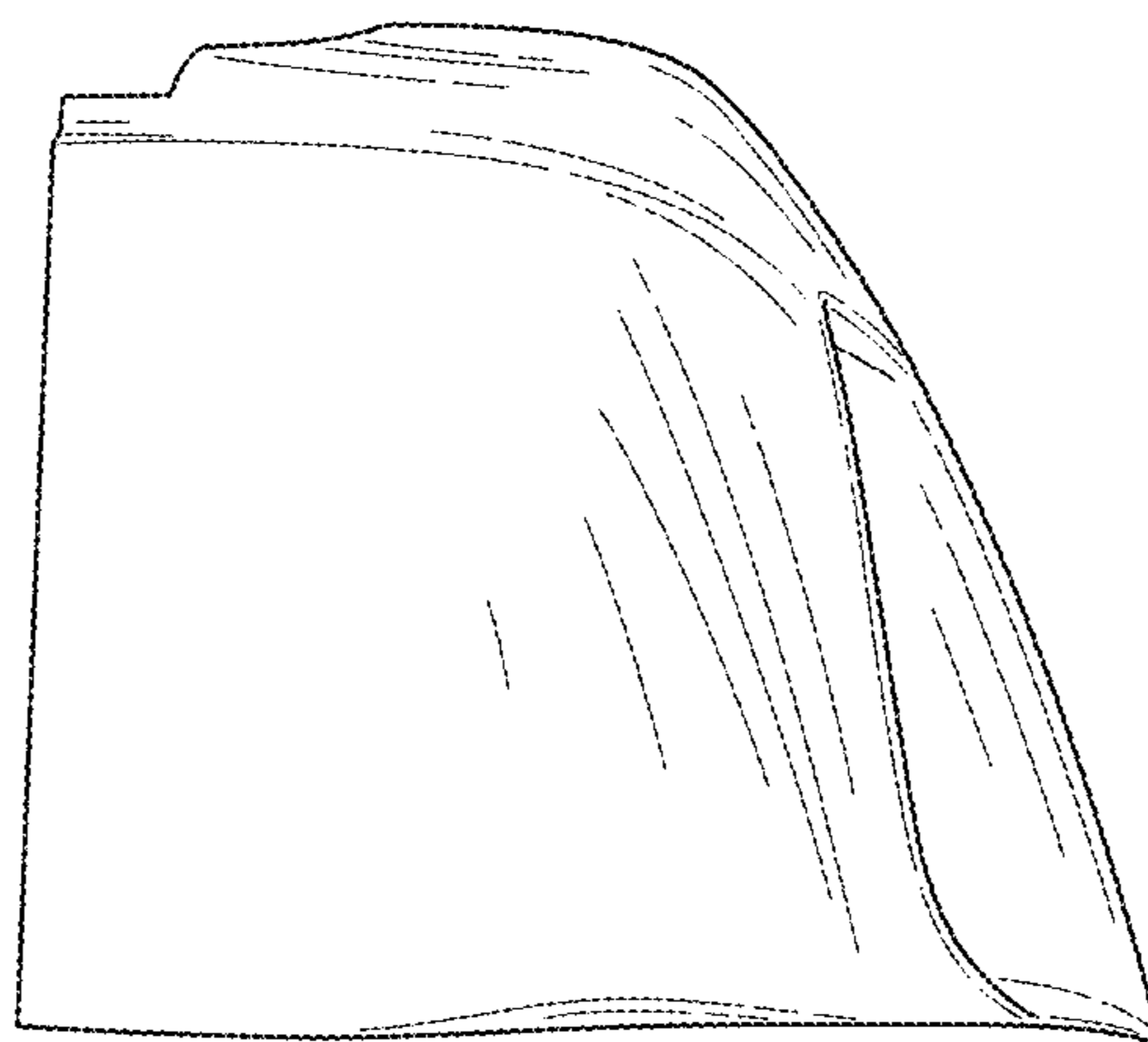


FIG. 6

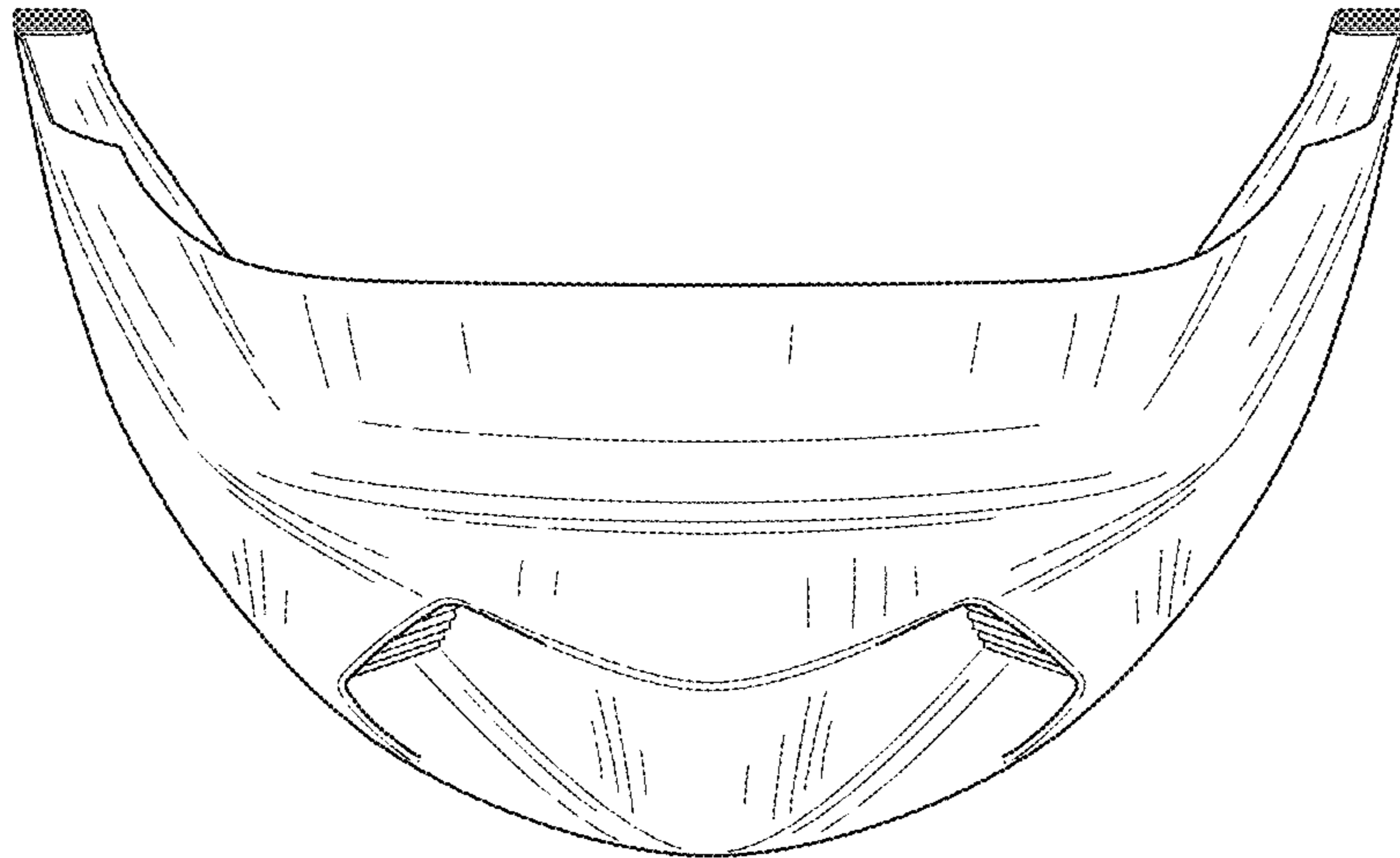


FIG. 7

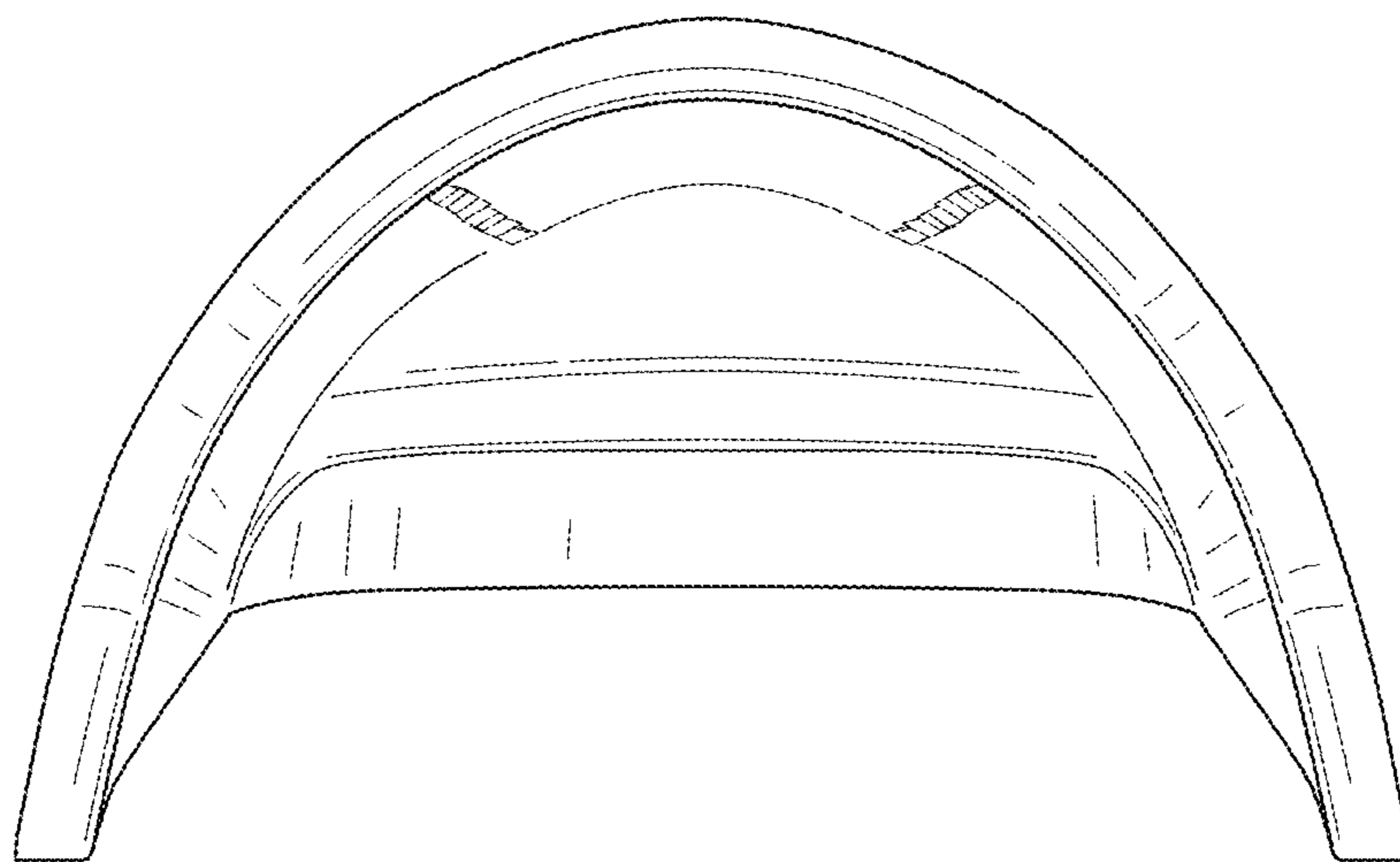


FIG. 8

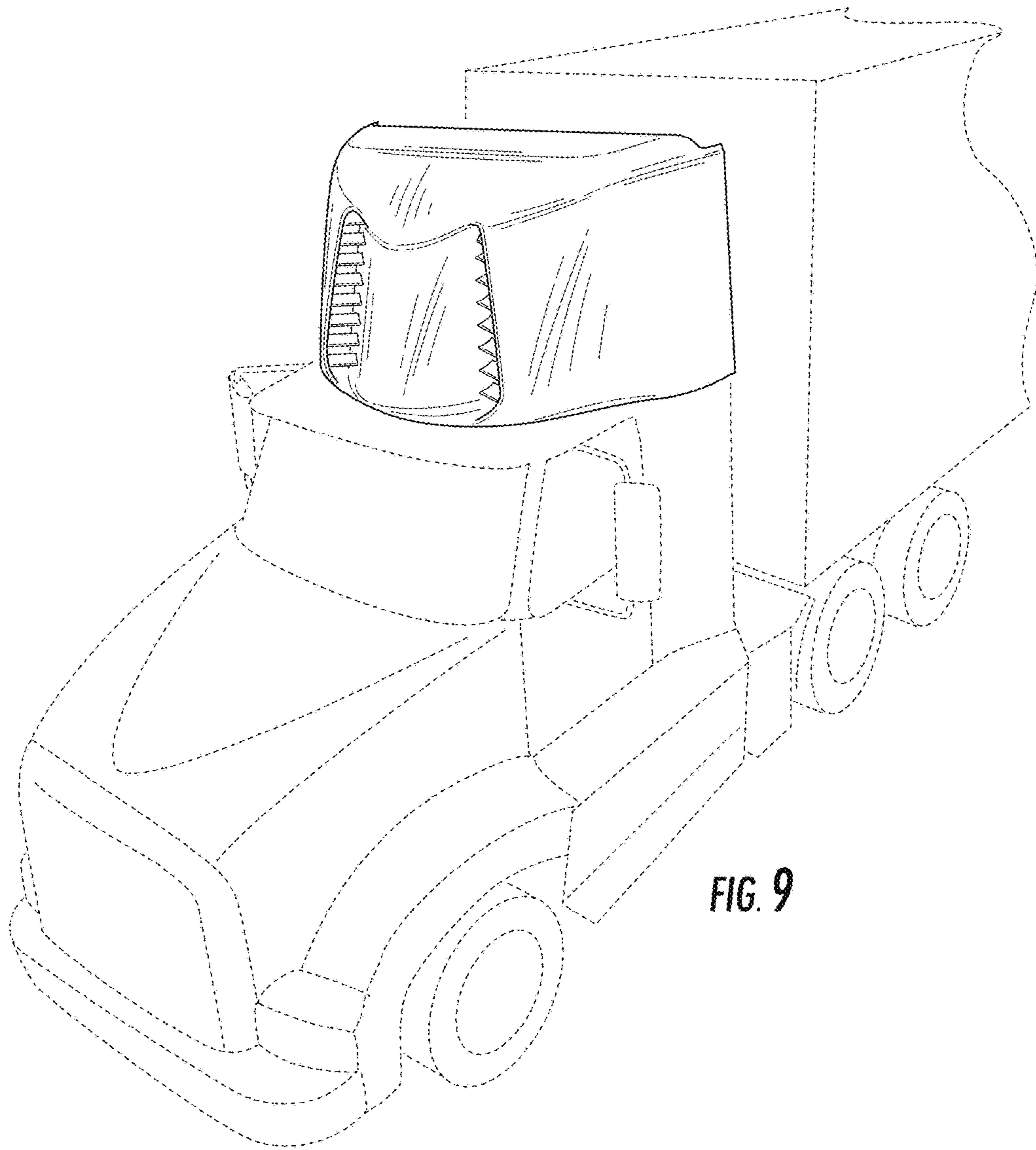


FIG. 9

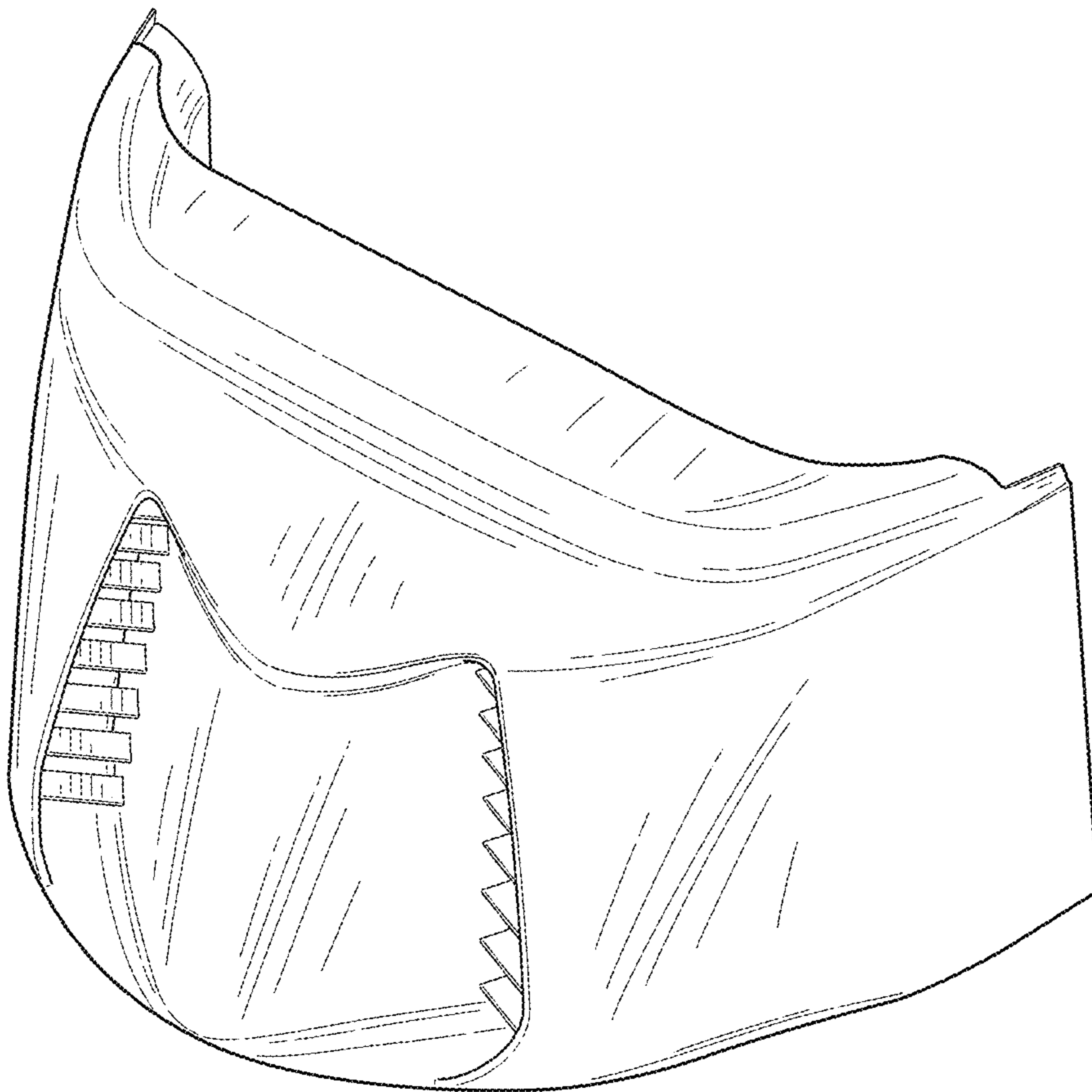


FIG. 10

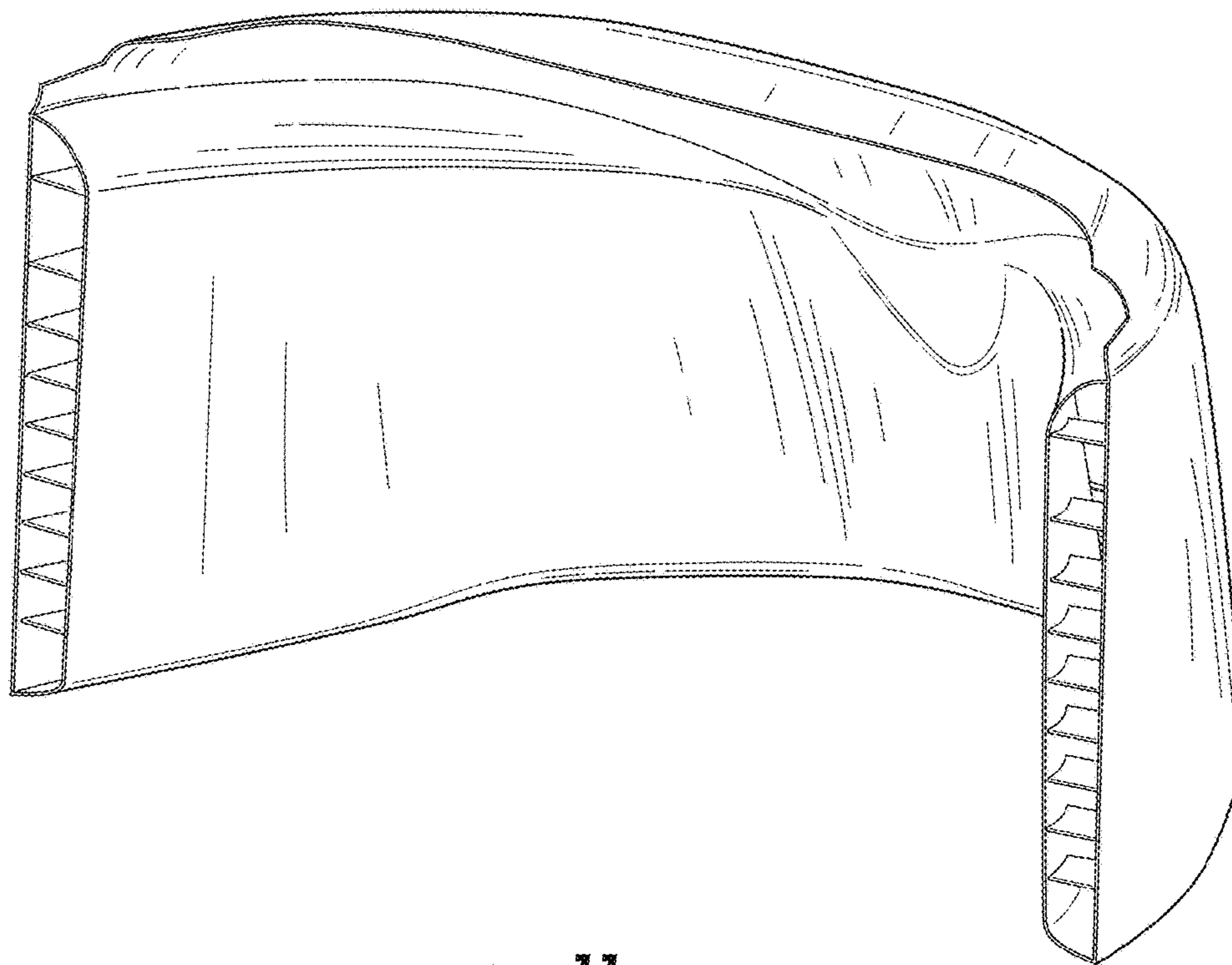


FIG. 11

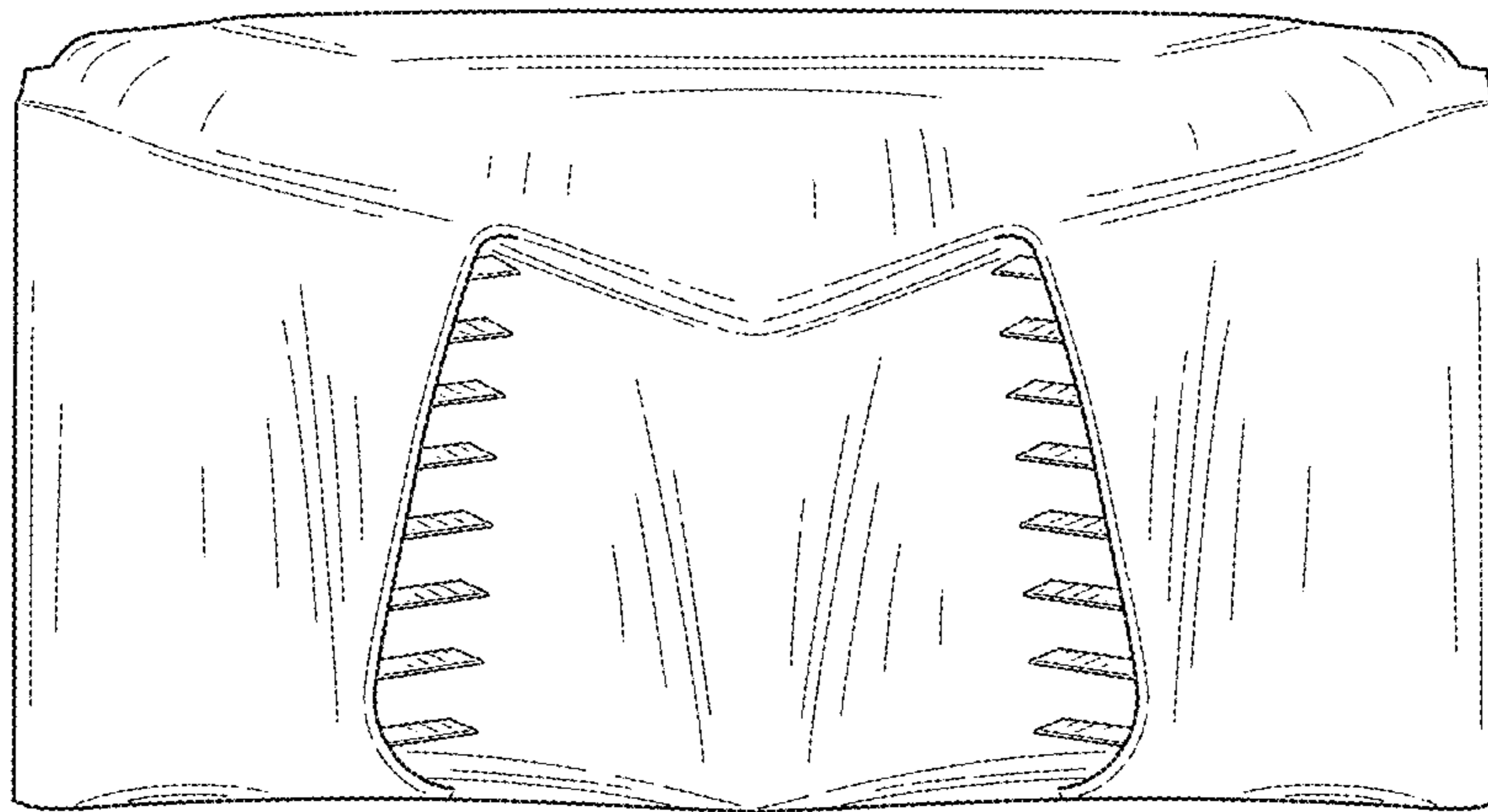


FIG. 12

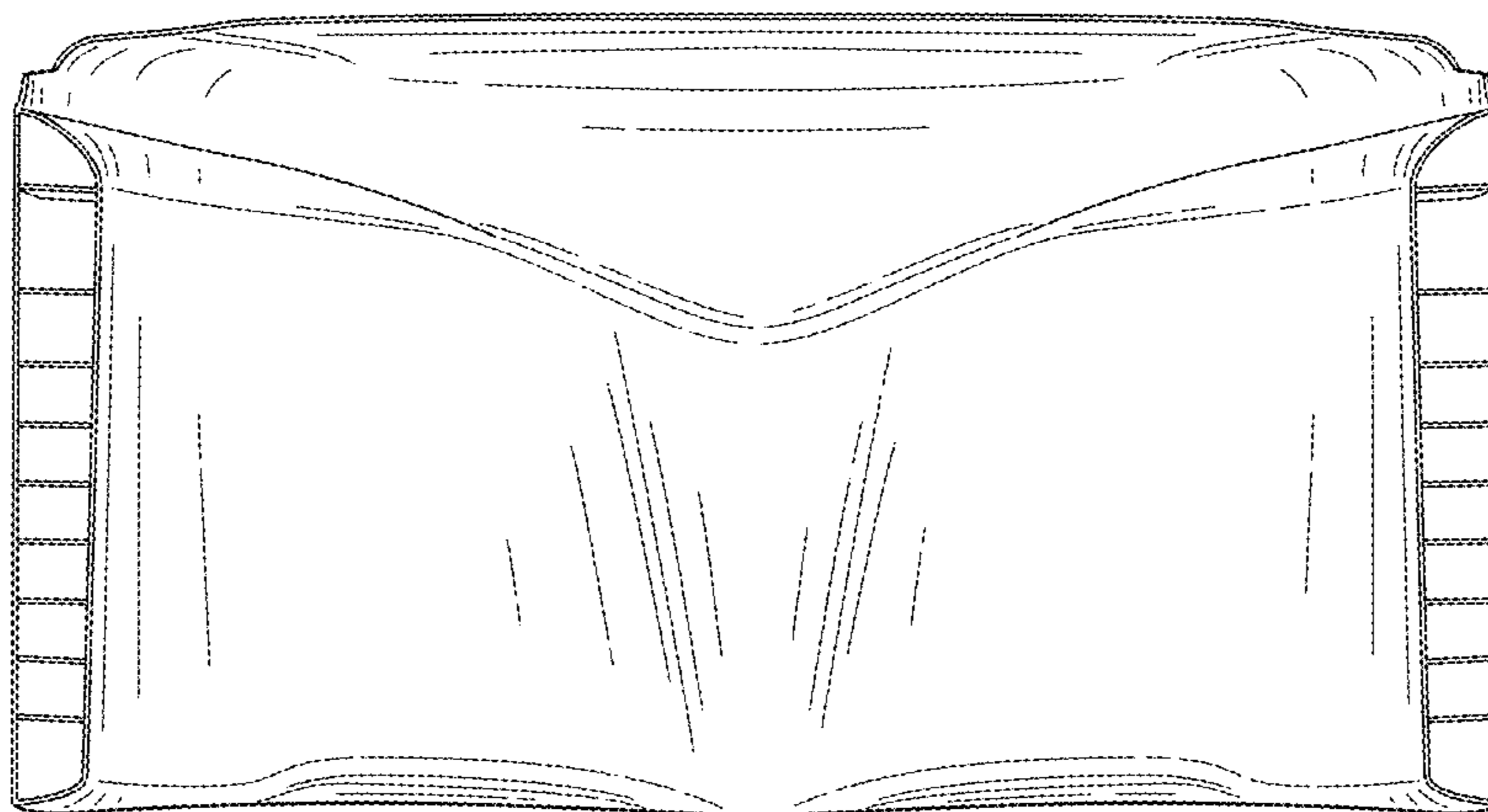


FIG. 13

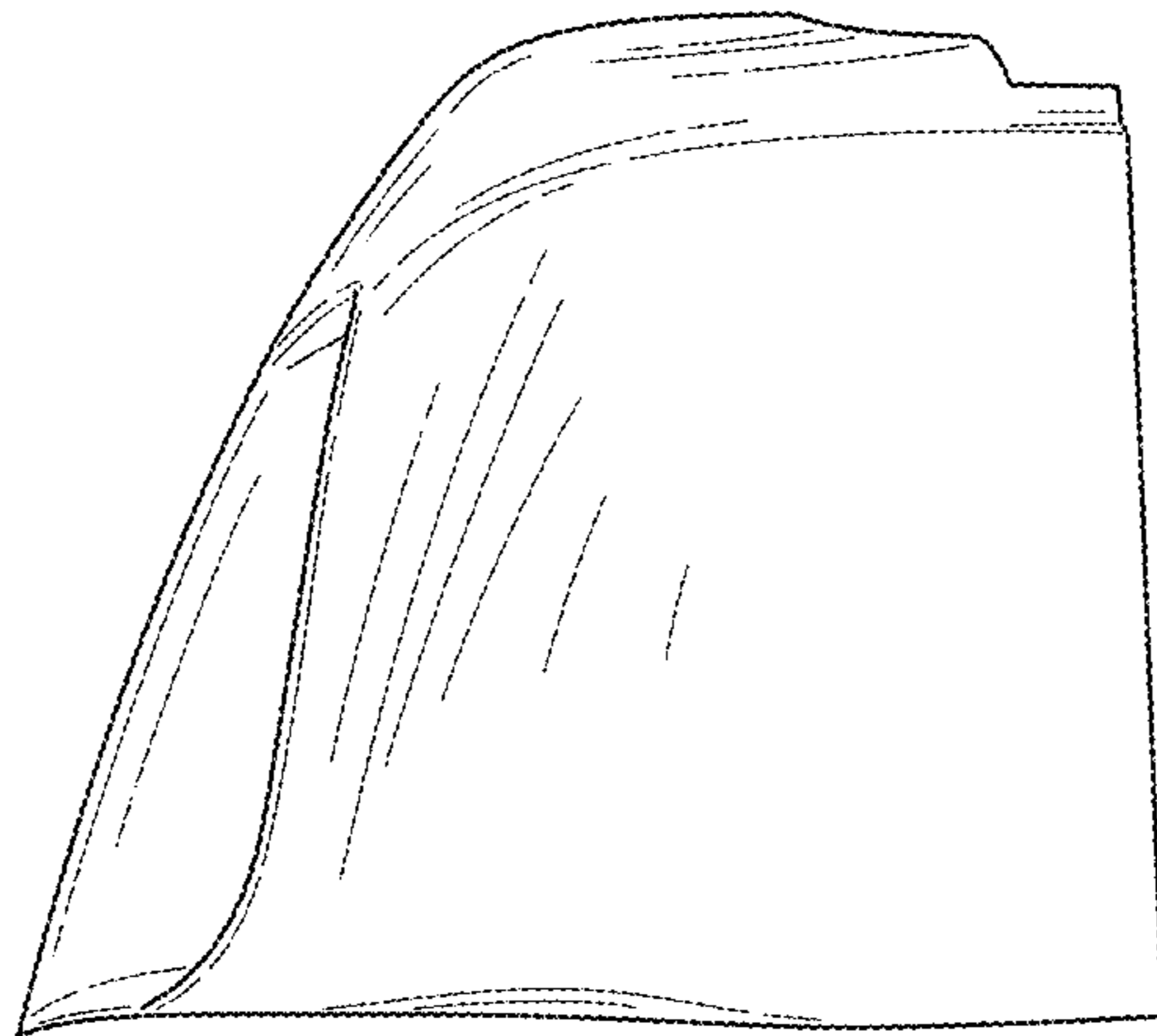


FIG. 14

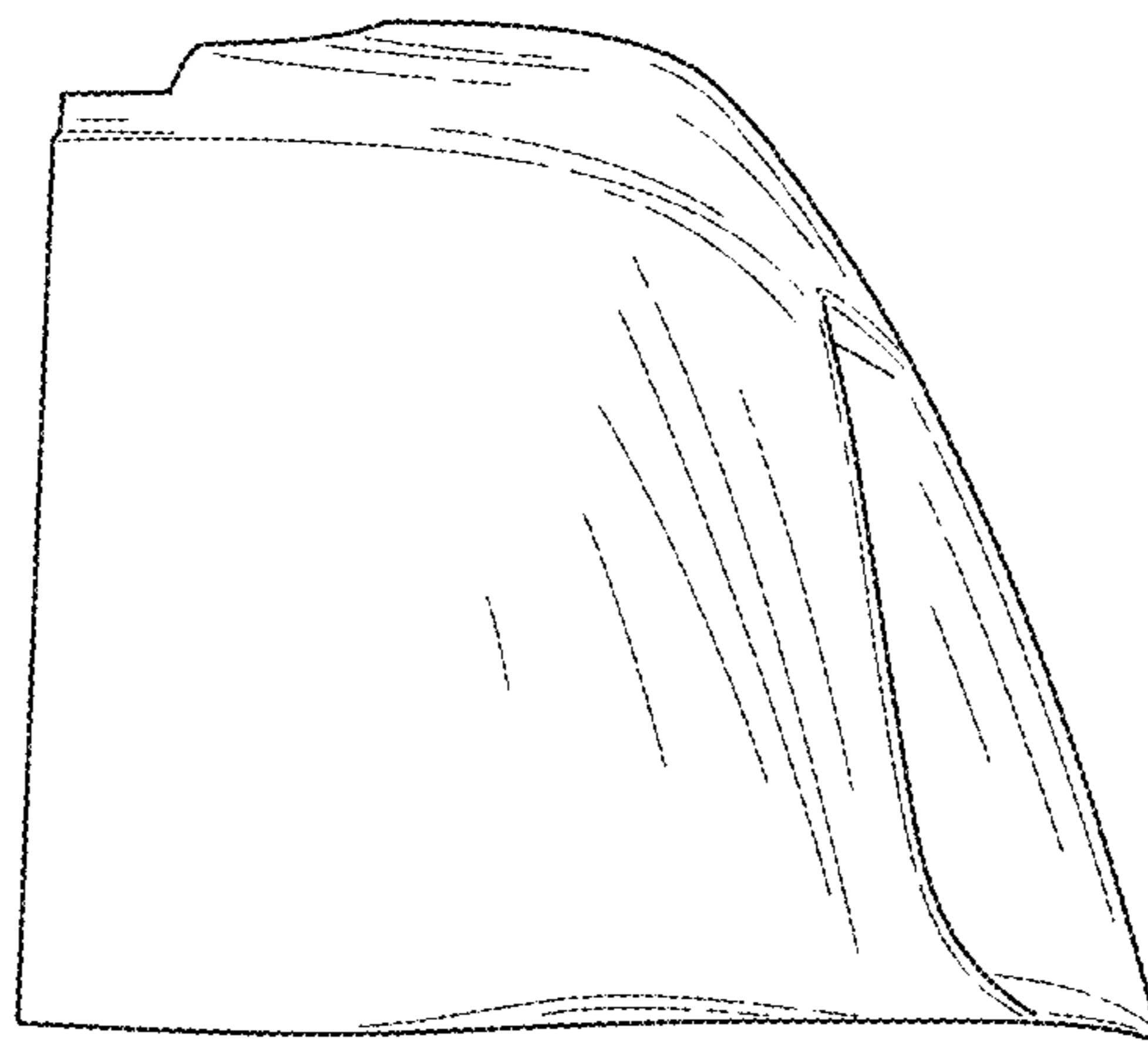


FIG. 15

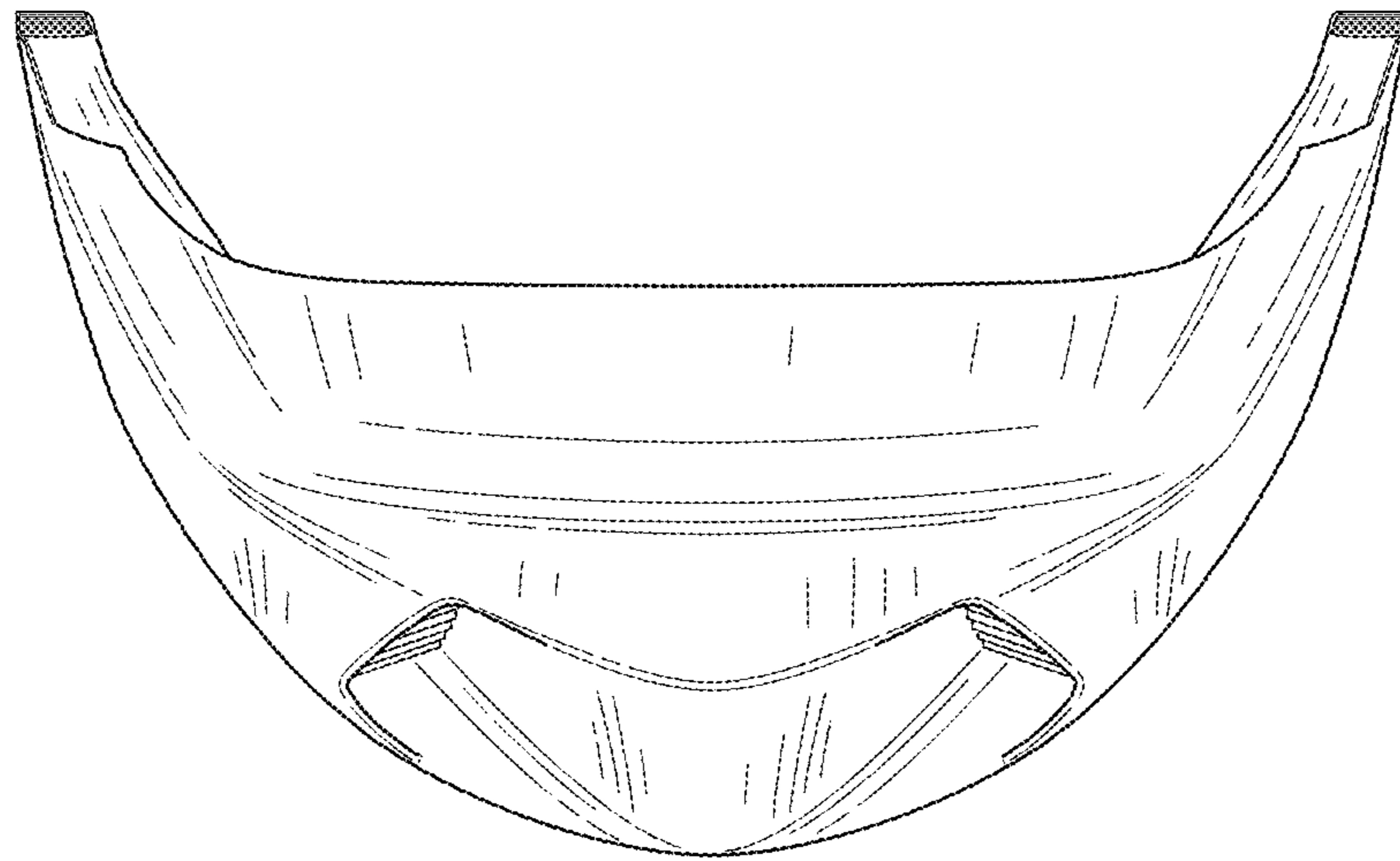


FIG. 16

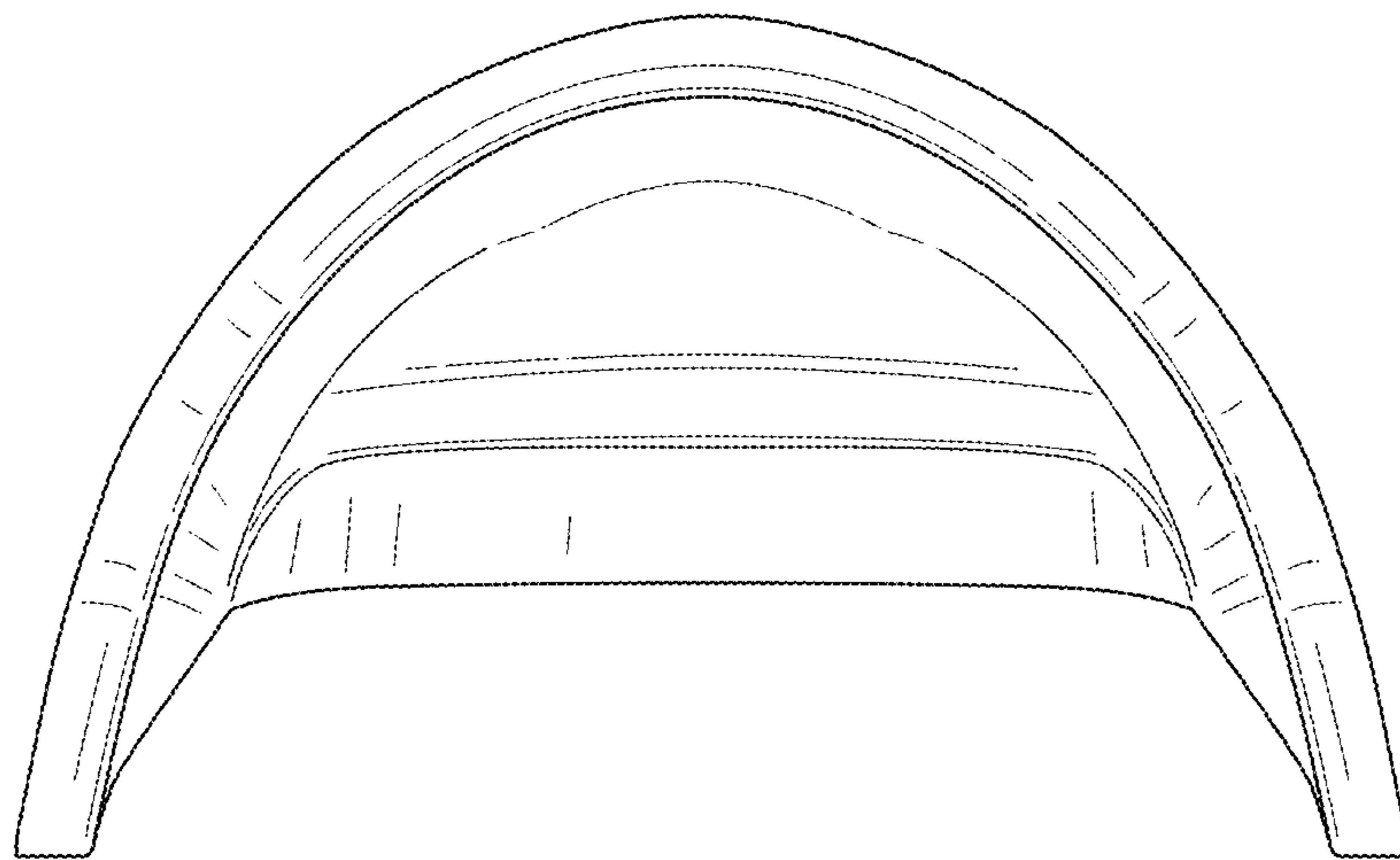


FIG. 17

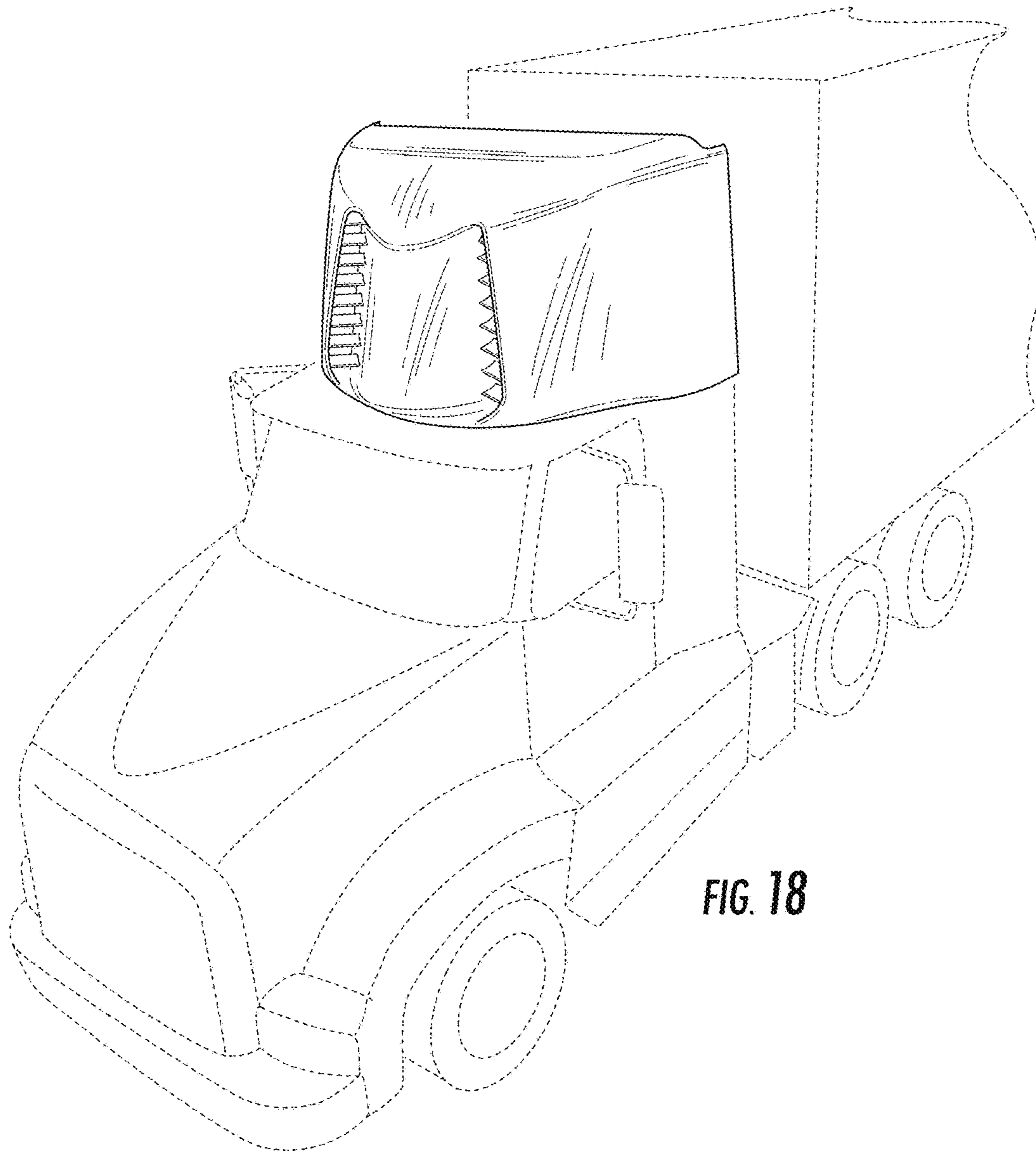


FIG. 18