



US00D780645S

(12) **United States Design Patent** (10) **Patent No.:** **US D780,645 S**
Bucher et al. (45) **Date of Patent:** **** Mar. 7, 2017**

(54) **VEHICLE FRONT UPPER GRILLE**
(71) Applicant: **Ford Global Technologies, LLC**,
Dearborn, MI (US)
(72) Inventors: **George Bucher**, Dearborn, MI (US);
Dean Carbis, Bloomfield Hills, MI
(US)
(73) Assignee: **Ford Global Technologies, LLC**,
Dearborn, MI (US)
(**) Term: **15 Years**
(21) Appl. No.: **29/543,685**
(22) Filed: **Oct. 27, 2015**
(51) **LOC (10) Cl.** **12-16**
(52) **U.S. Cl.**
USPC **D12/163**
(58) **Field of Classification Search**
USPC D12/86, 90, 91, 92, 163, 169, 196, 171,
D12/216; D15/31; 180/68.1, 68.6;
293/103, 115, 117, 120, 193.1, 193.11
CPC . B60R 19/52; B60R 2019/525; B60K 11/085;
B62D 25/084; H01Q 1/32
See application file for complete search history.

D598,335 S * 8/2009 George D12/163
D610,495 S * 2/2010 Bucher D12/163
D644,965 S 9/2011 Tonello
D644,966 S 9/2011 Tonello
D644,967 S 9/2011 Tonello
D664,480 S * 7/2012 Platto D12/163
D712,317 S * 9/2014 George D12/163
D723,433 S * 3/2015 George D12/163
D725,004 S * 3/2015 Kobayashi D12/163
D742,288 S * 11/2015 Murase D12/163

OTHER PUBLICATIONS

“2016 Edge—Agressively Styled.” Ford Motors Electronic Brochure., Oct. 16, 2015 [online], [retrieved on Oct. 28, 2016]. Retrieved from the Internet <URL: http://www.auto-brochures.com/makes/Ford/Edge/Ford_US%20Edge_2016.pdf>.*

(Continued)

Primary Examiner — Darlington Ly
(74) *Attorney, Agent, or Firm* — Damian Porcari

(57) **CLAIM**

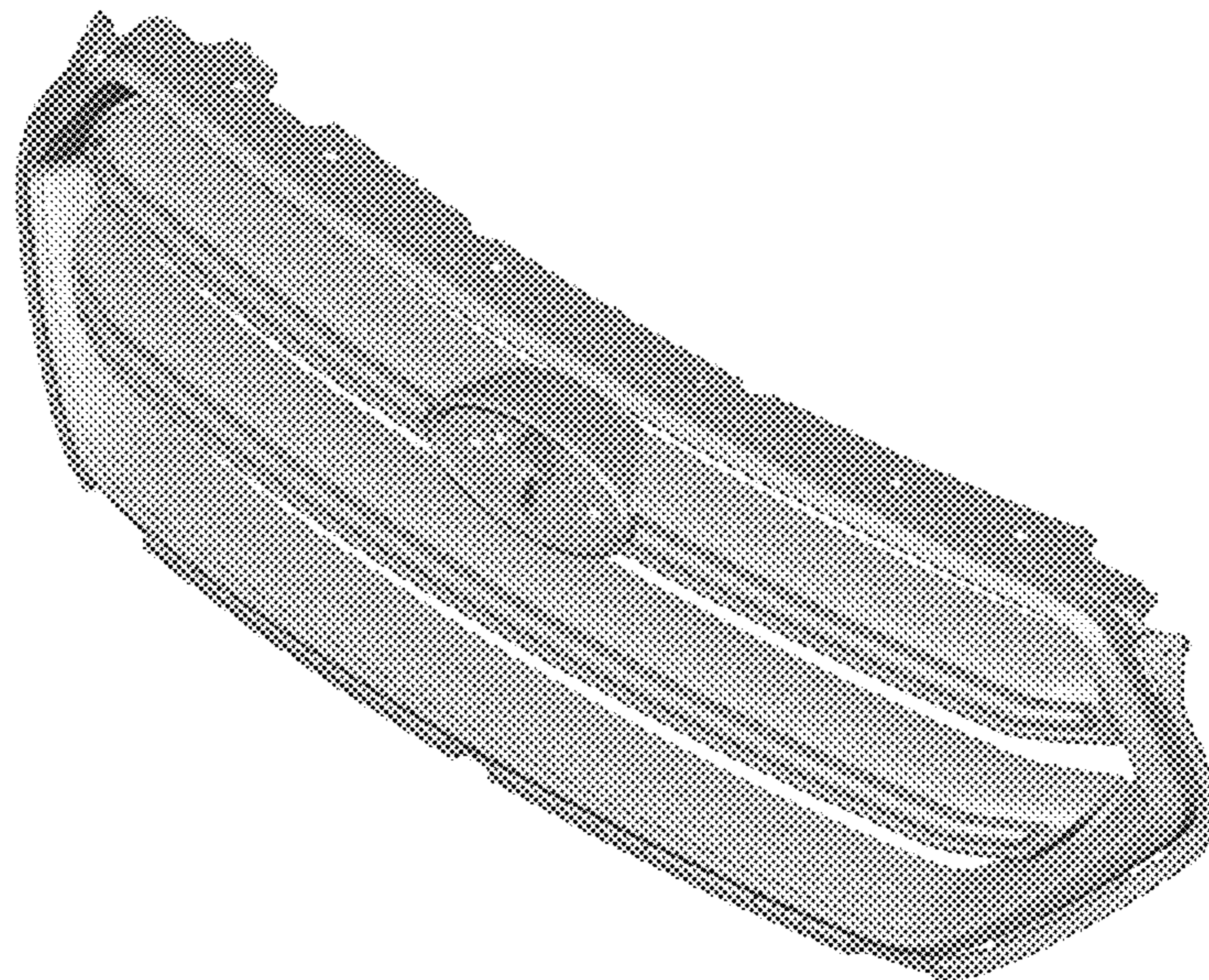
The ornamental design for a vehicle front upper grille, as shown and described.

DESCRIPTION

FIG. 1 is a top, front, and left side perspective view of the vehicle front upper grille showing our new design; FIG. 2 is a top, front, and right side perspective view thereof; FIG. 3 is a top, rear, and left side perspective view thereof; FIG. 4 is a front elevational view thereof; FIG. 5 is a rear elevational view thereof; FIG. 6 is a left side elevational view thereof; FIG. 7 is a right side elevational view thereof; FIG. 8 is a top plan view thereof; and, FIG. 9 is a bottom plan view thereof.

1 Claim, 9 Drawing Sheets

(56) **References Cited**
U.S. PATENT DOCUMENTS
7,152,915 B2 * 12/2006 Diehl B60R 19/52
180/68.6
D538,716 S * 3/2007 Hogios D12/163
D540,720 S * 4/2007 Golden D12/163
D555,550 S * 11/2007 Schiavone D12/163
D561,068 S * 2/2008 Golden D12/163
D580,311 S 11/2008 Gueler et al.
D590,754 S * 4/2009 Woolley D12/169



(56)

References Cited

OTHER PUBLICATIONS

“2015 Taurus + Sho.” Ford Motors Electronic Brochure., Oct. 5, 2014 [online], [retrieved on Oct. 28, 2016]. Retrieved from the Internet <URL: http://www.auto-brochures.com/makes/Ford/Taurus/Ford_US%20Taurus_2015.pdf>.*

“2015 Hyundai Santa Fe.” Hyundai Electronic Brochure., Oct. 28, 2014 [online], [retrieved on Oct. 28, 2016]. Retrieved from the Internet <URL: http://www.auto-brochures.com/makes/Hyundai/Santa%20Fe/Hyundai_US%20SantaFe_2015.pdf>.*

“2015 Edge—Intelligently Reimagined.” Ford Motors Electronic Brochure., Jun. 24, 2014 [online], [retrieved on Oct. 28, 2016]. Retrieved from the Internet <URL: http://www.auto-brochures.com/makes/Ford/Edge/Ford_US%20Edge_2015.pdf>.*

Bob Nagy <http://www.kbb.com/car-news/all-the-latest/2017-Ford-escape-spied/2000012056> 2017 Ford Escape spied, dated May 15, 2015.

Mark McNabb <http://www.topspeed.com/trucks/truck-reviews/Ford/2017-Ford-escape-ar169435.html> 2017 Ford Escape dated May 18, 2015.

Alexander Stoklosa <http://www.caranddriver/news/2017-Ford-escape-spy-photos-news> 2017 Ford Escape Spy Photos dated May 2015.

Unknown <http://www.autoblog.com/2015/06/25/2017/Ford-escape-spy-shots> New Ford Escape spied inside and out dated Jun. 25, 2015.

* cited by examiner

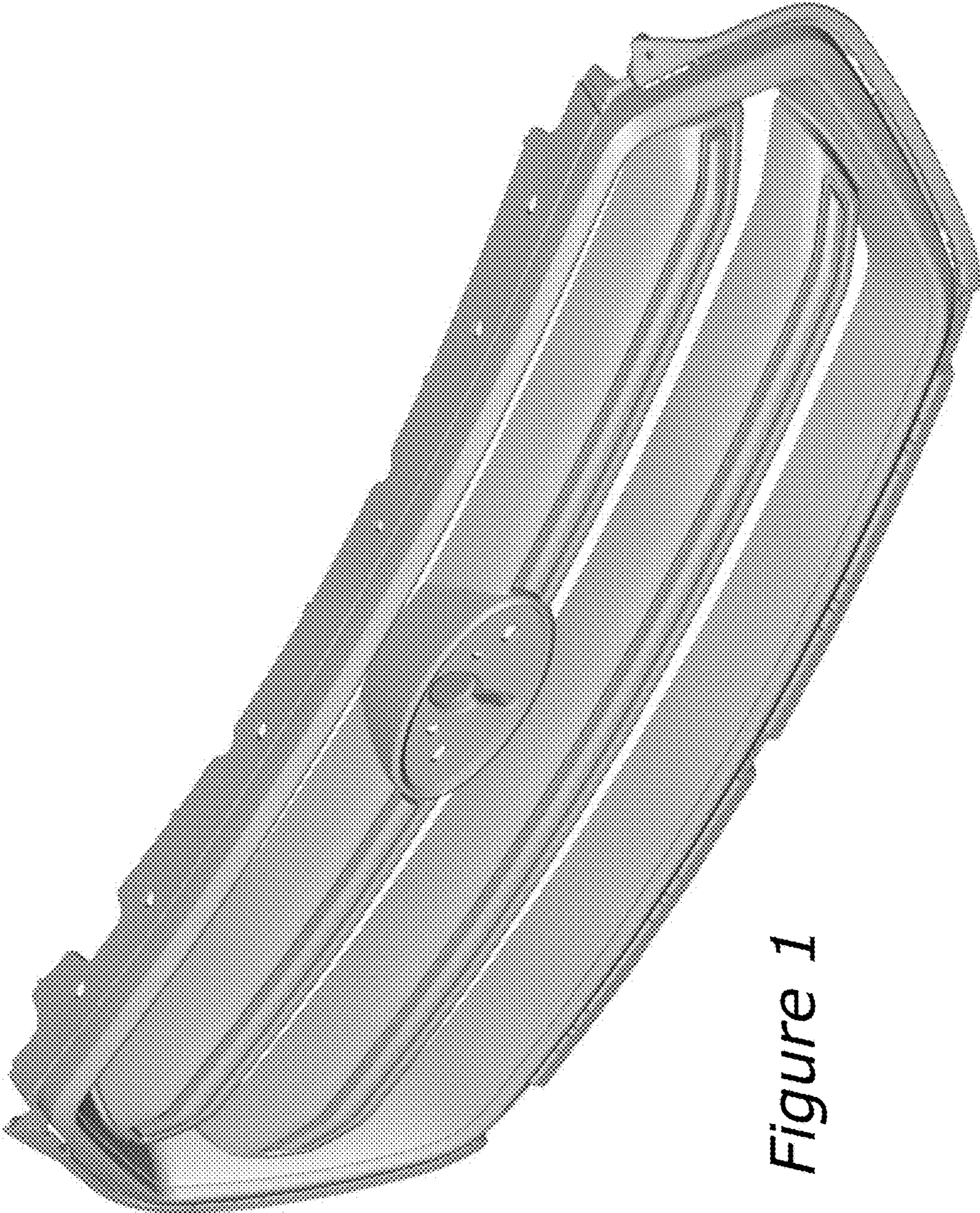


Figure 1



Figure 2

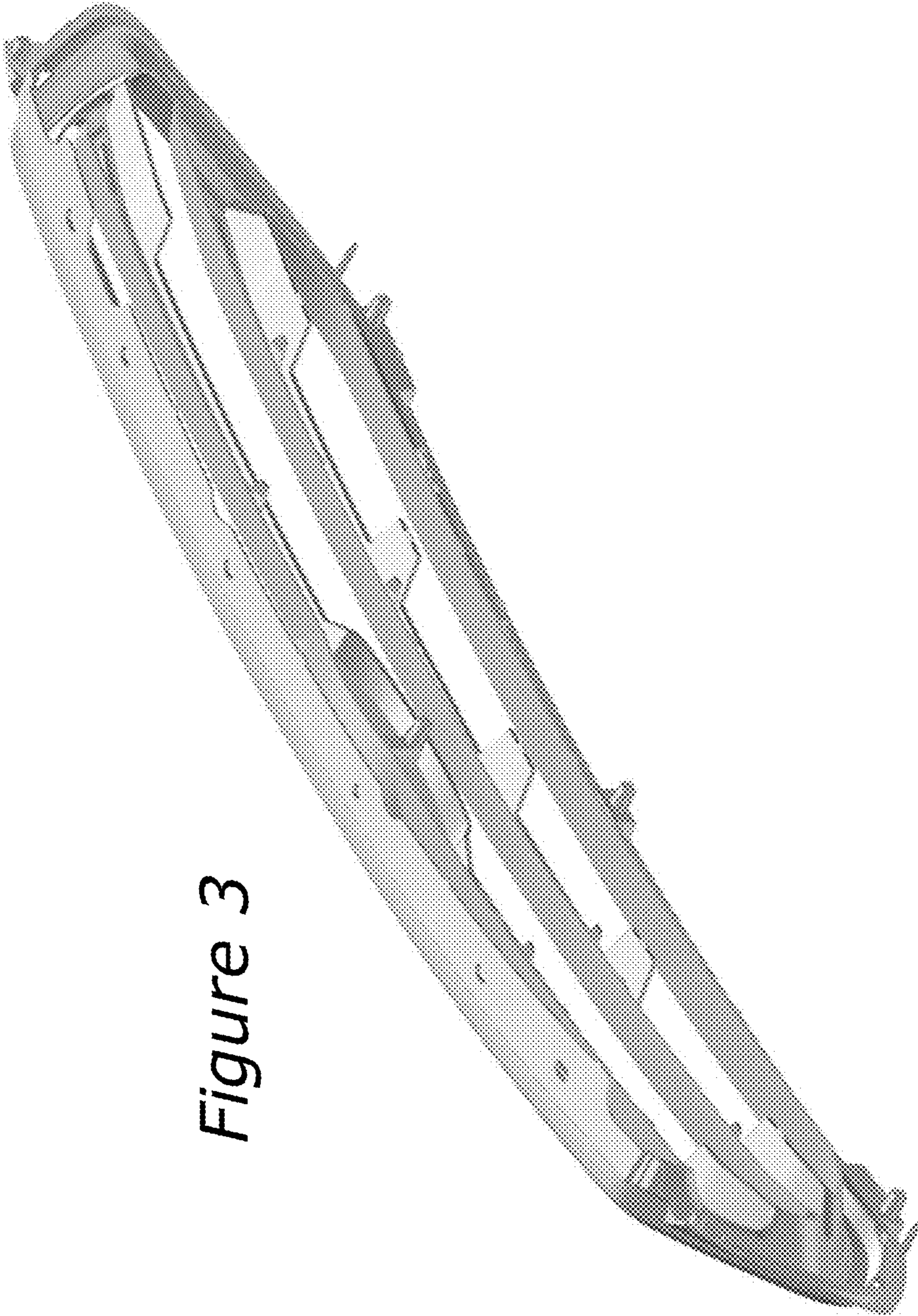


Figure 3

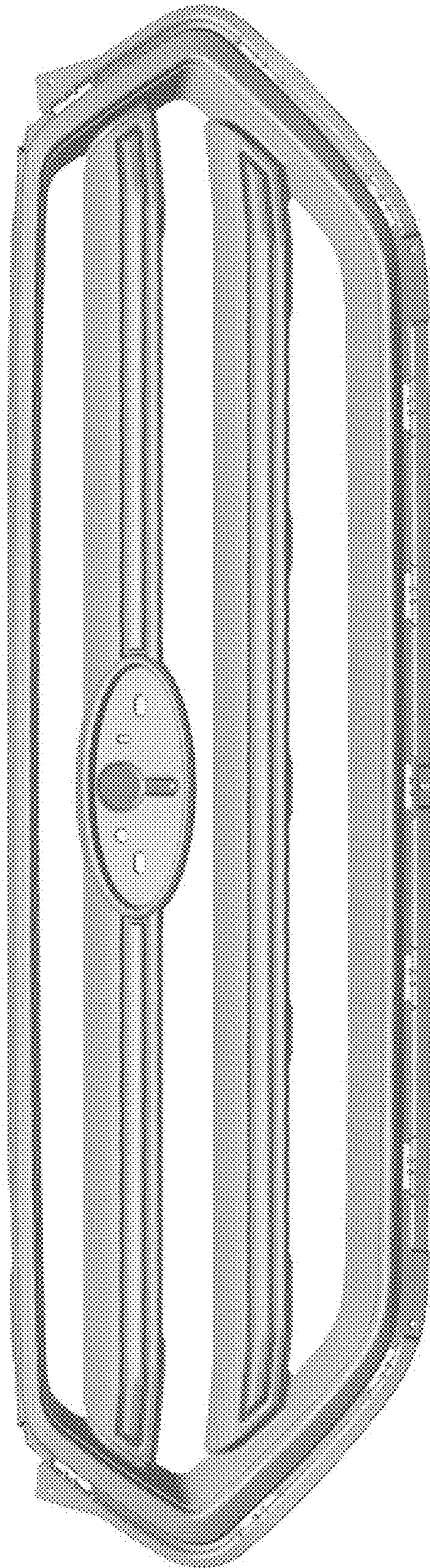


Figure 4

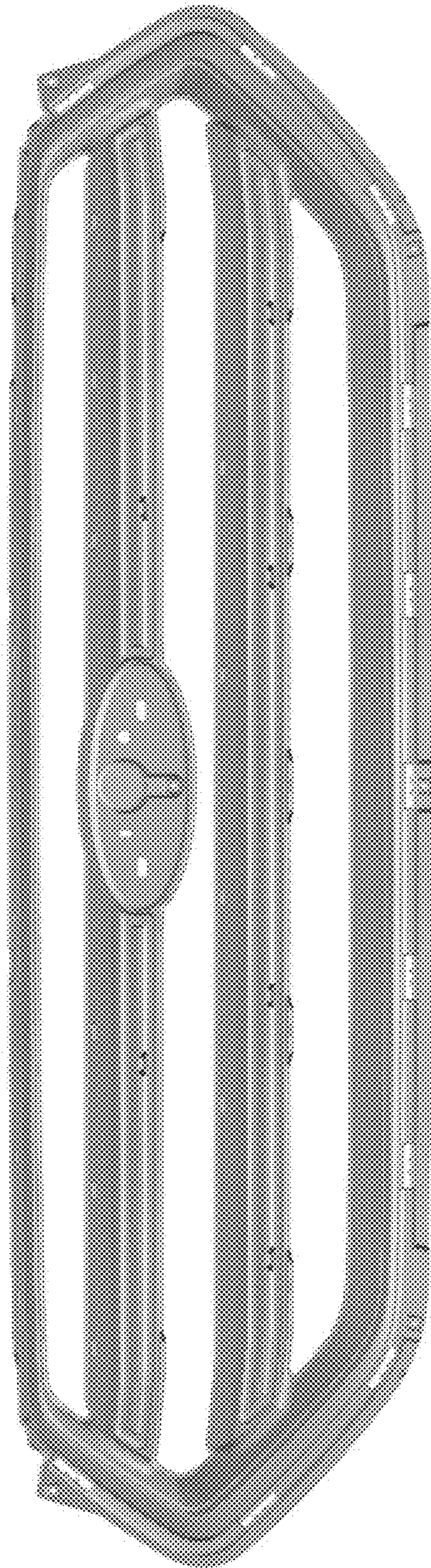


Figure 5

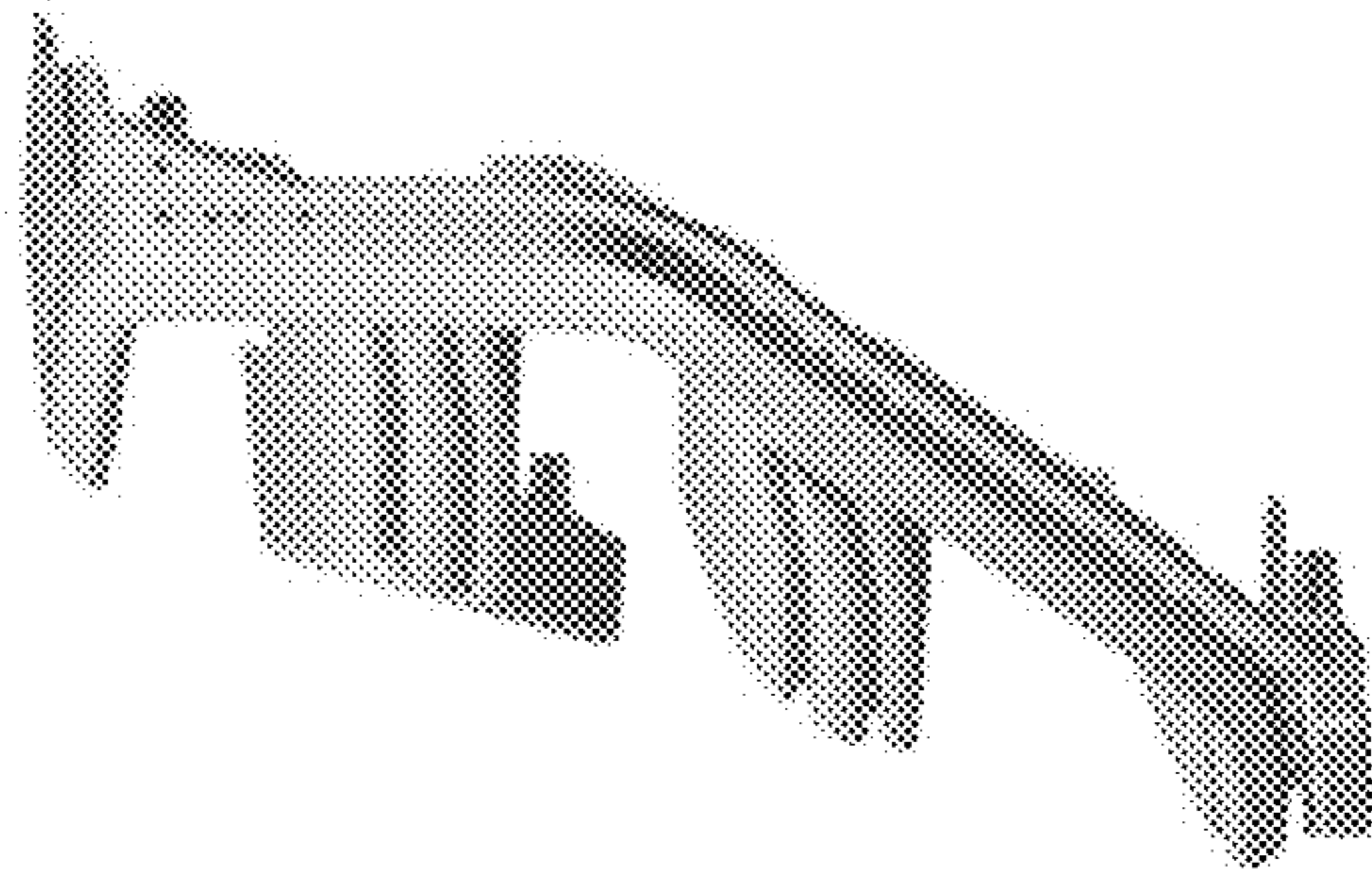


Figure 6

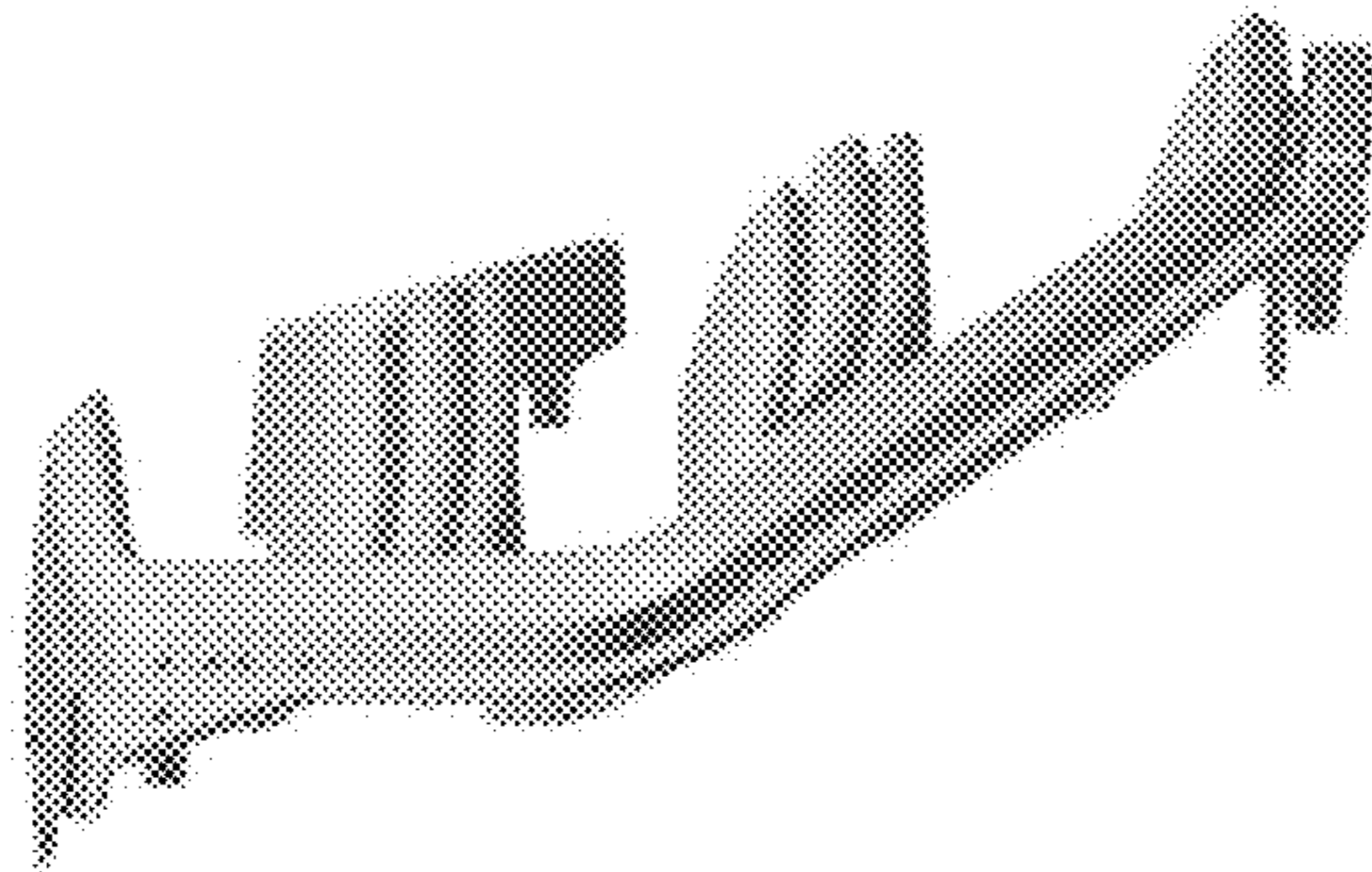


Figure 7

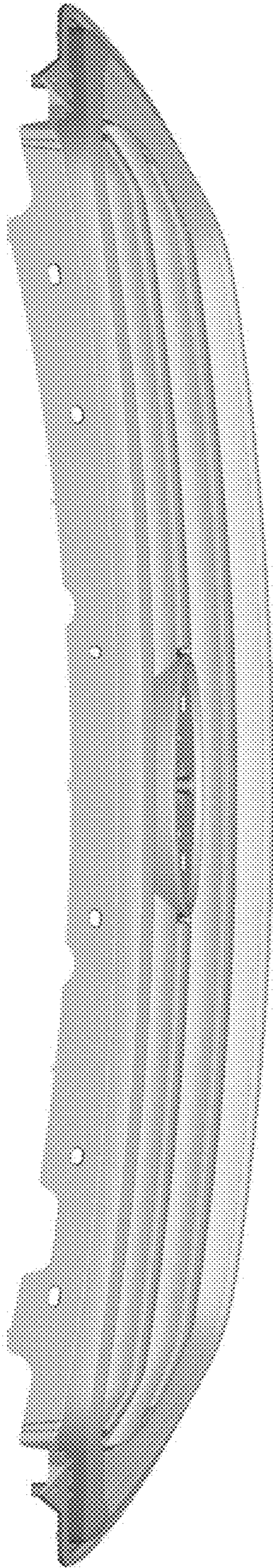


Figure 8

Figure 9

