



US00D780644S

(12) **United States Design Patent**  
**Kim et al.**

(10) **Patent No.:** **US D780,644 S**

(45) **Date of Patent:** **\*\* Mar. 7, 2017**

(54) **VEHICLE GRILLE INSERT**  
(71) Applicant: **GM GLOBAL TECHNOLOGY OPERATIONS LLC**, Detroit, MI (US)  
(72) Inventors: **Jeasoo Kim**, Troy, MI (US); **Phillip A. Zak, Jr.**, West Bloomfield, MI (US)  
(73) Assignee: **GM Global Technology Operations LLC**, Detroit, MI (US)

D704,601 S \* 5/2014 Nurnberger ..... D12/163  
D716,196 S \* 10/2014 Sperling ..... D12/163  
D720,263 S \* 12/2014 Pevovar ..... D12/163  
D726,079 S \* 4/2015 Reichman ..... D12/163  
D726,598 S \* 4/2015 Rupar ..... D12/163  
D730,785 S \* 6/2015 Hammoud ..... D12/163  
D740,184 S \* 10/2015 Blanski ..... D12/163  
D740,185 S \* 10/2015 Blanski ..... D12/163  
2011/0070817 A1\* 3/2011 Walters ..... F01P 7/10  
454/155

(\*\*) Term: **14 Years**

(21) Appl. No.: **29/509,822**

(22) Filed: **Nov. 21, 2014**

(51) **LOC (10) Cl.** ..... **12-16**

(52) **U.S. Cl.**  
USPC ..... **D12/163**

(58) **Field of Classification Search**  
USPC ..... D12/86, 90, 91, 92, 163, 169, 196,  
171,D12/216; D15/31; 180/68.1, 68.6;  
293/103, 115, 293/117, 120, 193.1,  
193.11

CPC . B60R 19/52; B60R 2019/525; B60K 11/085;  
B62D 25/084; H01Q 1/32

See application file for complete search history.

(56) **References Cited**

**U.S. PATENT DOCUMENTS**

D510,302 S \* 10/2005 Sugimoto ..... D12/163  
D561,654 S \* 2/2008 Platto ..... D12/163  
7,464,984 B1 \* 12/2008 McDaniel ..... B60R 19/52  
180/68.6  
D584,197 S \* 1/2009 Song ..... D12/163  
D593,460 S \* 6/2009 Schiavone ..... D12/163  
D680,921 S \* 4/2013 Jara ..... D12/163  
D698,704 S \* 2/2014 Rupar ..... D12/163  
D698,706 S \* 2/2014 Tada ..... D12/163  
D702,600 S \* 4/2014 Akojima ..... D12/163

**OTHER PUBLICATIONS**

“SS 2015—A Powerful Class of One.” Chevy Electronic Brochure., Dec. 5, 2014 [online], [retrieved on Oct. 20, 2016]. Retrieved from the Internet <URL: [http://www.auto-brochures.com/makes/Chevrolet/SS/Chevrolet\\_US%20SS\\_2015.pdf](http://www.auto-brochures.com/makes/Chevrolet/SS/Chevrolet_US%20SS_2015.pdf)>.\*  
Chevrolet, McCluskey. “Updates for 2015 Chevy SS.” McCluskey Chevrolet., Jul. 22, 2014 [online], [retrieved on Oct. 20, 2016]. Retrieved from the Internet <URL: <http://www.mccluskeychevrolet.com/updates-for-2015-chevy-ss/>>.\*

(Continued)

*Primary Examiner* — Darlington Ly

(74) *Attorney, Agent, or Firm* — Reising Ethington P.C.

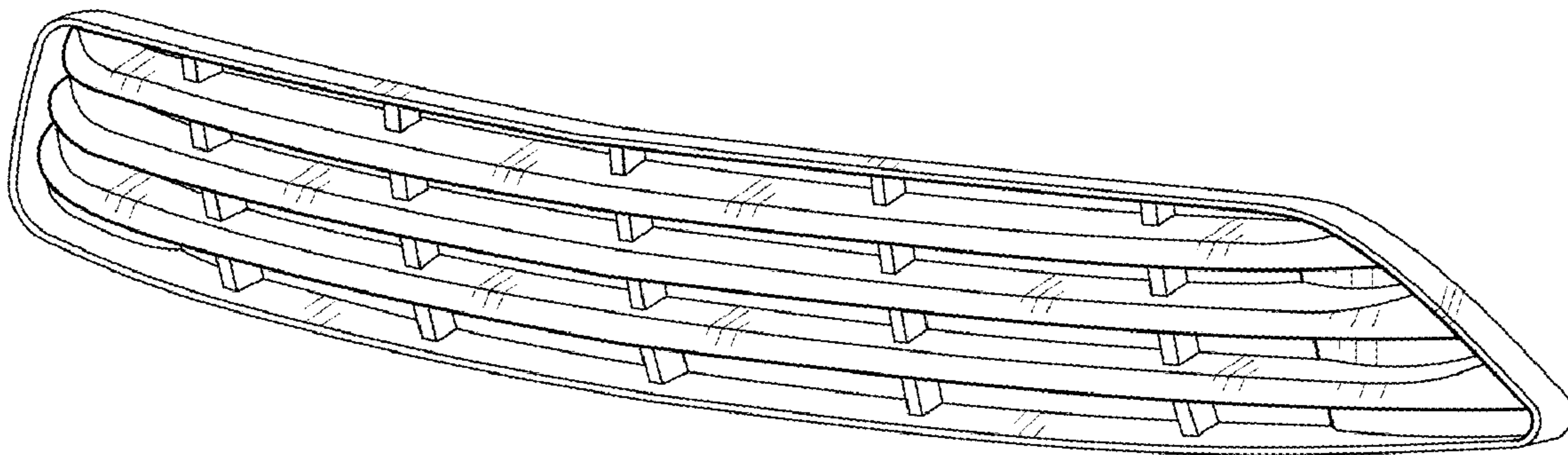
(57) **CLAIM**

The ornamental design for a vehicle grille insert, as shown and described.

**DESCRIPTION**

FIG. 1 is a perspective view of the vehicle grille insert; FIG. 2 is a front elevation view thereof; and, FIG. 3 is a left side elevation view thereof, of which the right side elevation view is a mirror image thereto. The broken lines shown in the drawings illustrate portions of the vehicle grille insert that form no part of the claimed design.

**1 Claim, 1 Drawing Sheet**



(56)

**References Cited**

OTHER PUBLICATIONS

“SS/14—Why Just Go From A to B—When imagination can take you everywhere.” Chevy Electronic Brochure., Nov. 13, 2013 [online], [retrieved on Oct. 20, 2016]. Retrieved from the Internet <URL: [http://www.auto-brochures.com/makes/Chevrolet/SS/Chevrolet\\_US%20SS\\_2014.pdf](http://www.auto-brochures.com/makes/Chevrolet/SS/Chevrolet_US%20SS_2014.pdf)>.\*

“Impala/14—Why Just Go From A to B—When imagination can take you everywhere.” Chevy Electronic Brochure., May 8, 2013 [online], [retrieved on Oct. 20, 2016]. Retrieved from the Internet <URL: [http://www.auto-brochures.com/makes/Chevrolet/Impala/Chevrolet\\_US%20Impala\\_2014.pdf](http://www.auto-brochures.com/makes/Chevrolet/Impala/Chevrolet_US%20Impala_2014.pdf)>.\*

Design U.S. Appl. No. 29/466,635, filed Sep. 10, 2013; First Named Inventor: Louis D. Thole; Title: Vehicle Grille; 3 pages.

Design U.S. Appl. No. 29/473,976, filed Nov. 27, 2013; First Named Inventor: Alexandre Batista Da Silva Henriques; Title: Vehicle Grille Assembly; 3 pages.

Design U.S. Appl. No. 29/492,639, filed Jun. 2, 2014; First Named Inventor: Jeasoo Kim; Title: Vehicle Body Exterior; 7 pages.

Design U.S. Appl. No. 29/498,144, filed Jul. 31, 2014; First Named Inventor: Brian J. Smith; Title: Vehicle Grille; 2 pages.

Design U.S. Appl. No. 29/498,220, filed Aug. 1, 2014; First Named Inventor: Brian J. Smith; Title: Vehicle Grille Component; 2 pages.

Design U.S. Appl. No. 29/498,223, filed Aug. 1, 2014; First Named Inventor: Brian J. Smith; Title: Vehicle Grille Component; 2 pages.

Design U.S. Appl. No. 29/501,183, filed Sep. 2, 2014; First Named Inventor: Robert E. Boniface; Title: Vehicle Grille, 3 pages.

Design U.S. Appl. No. 29/501,186, filed Sep. 2, 2014; First Named Inventor: Robert E. Boniface; Title: Vehicle Grille Component; 2 pages.

Design U.S. Appl. No. 29/506,071, filed Oct. 13, 2014; First Named Inventor: Robert B. McMahan; Title: Vehicle Grille; 2 pages.

Design U.S. Appl. No. 29/507,608, filed Oct. 29, 2014; First Named Inventor: Robert B. McMahan; Title: Vehicle Grille; 2 pages.

\* cited by examiner

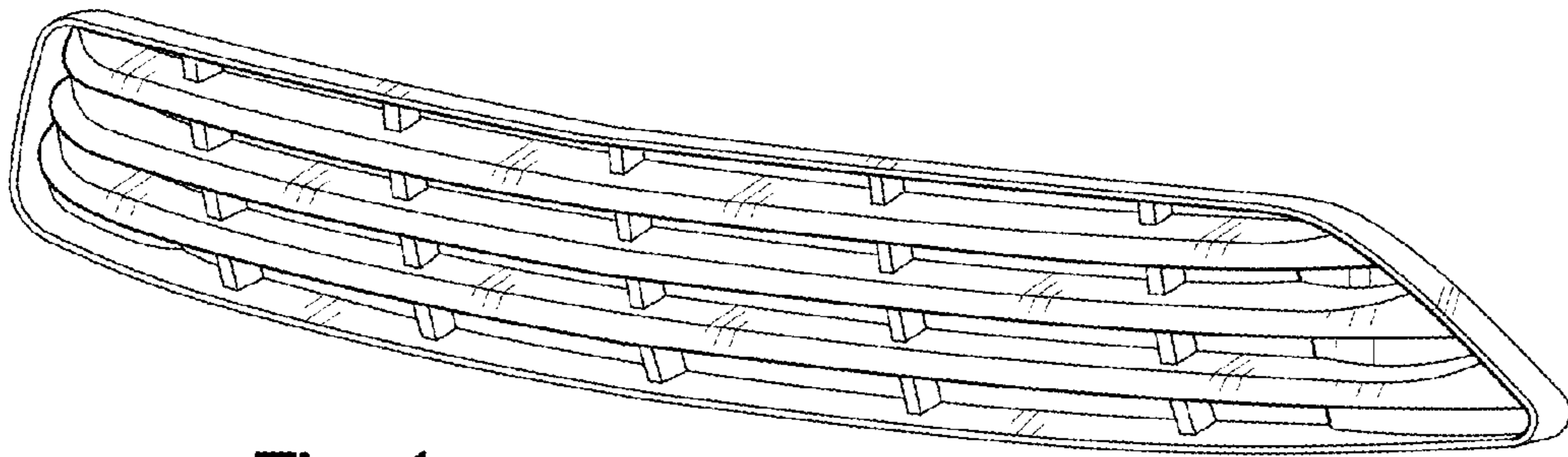


Fig-1

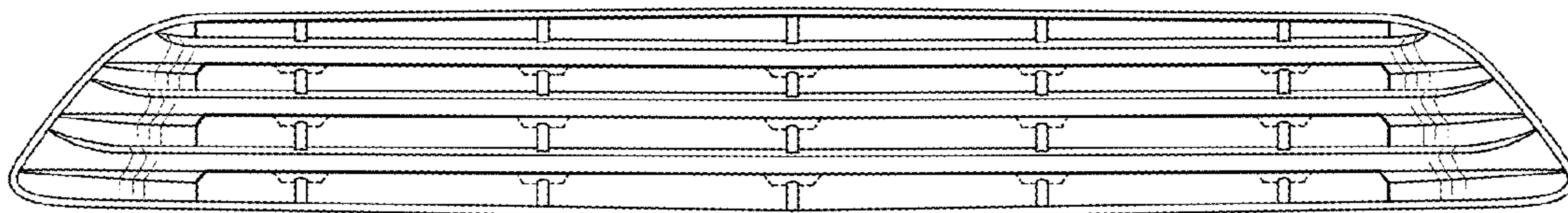


Fig-2

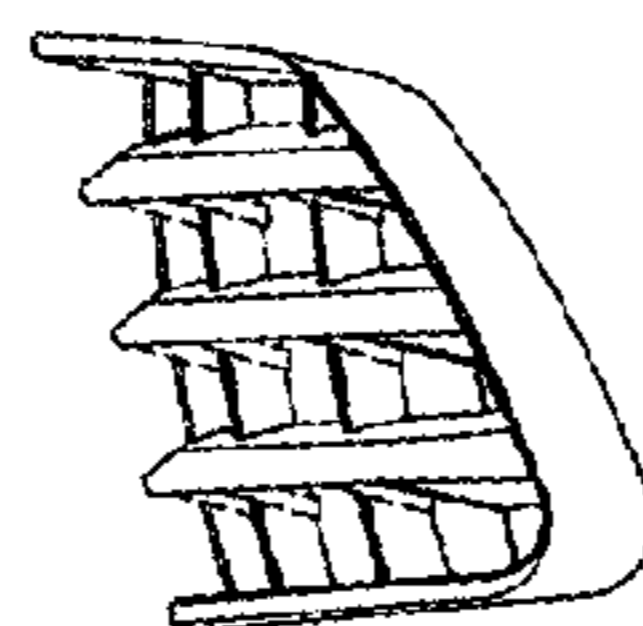


Fig-3