



US00D780643S

(12) **United States Design Patent**
Hare

(10) **Patent No.:** **US D780,643 S**

(45) **Date of Patent:** **** Mar. 7, 2017**

(54) **VEHICLE REAR SHOCK KIT**

(71) Applicant: **Addictive Desert Designs, LLC**, Mesa, AZ (US)

(72) Inventor: **Jared A. Hare**, Mesa, AZ (US)

(73) Assignee: **Addictive Desert Designs, LLC**, Mesa, AZ (US)

(**) Term: **15 Years**

(21) Appl. No.: **29/535,424**

(22) Filed: **Aug. 6, 2015**

(51) **LOC (10) Cl.** **12-16**

(52) **U.S. Cl.**
USPC **D12/159**

(58) **Field of Classification Search**

USPC D12/159, 174-175; D21/763
CPC B62D 1/046; B62D 1/185; B62D 1/195;
B62D 1/187; B60W 10/20; B60W
2540/18; B60G 11/22; B60G 2204/125;
B60G 2202/143; B60G 2202/142; B60G
2204/41; B60G 2202/14; B60G 2206/73
See application file for complete search history.

(56) **References Cited**

U.S. PATENT DOCUMENTS

6,481,079 B1 * 11/2002 Newhan B60G 3/20
280/86.75
9,145,179 B1 * 9/2015 Schmidt A61G 3/066

9,193,236 B2 * 11/2015 Westnedge B60G 5/03
9,211,775 B1 * 12/2015 Ryshavy B60G 17/021
2016/0096408 A1 * 4/2016 Hicks B60G 99/002
280/124.109
2016/0220431 A1 * 8/2016 Asztalos A61G 3/065

* cited by examiner

Primary Examiner — Michael A Pratt

(74) *Attorney, Agent, or Firm* — Venjuris P.C.; Michael F. Campillo

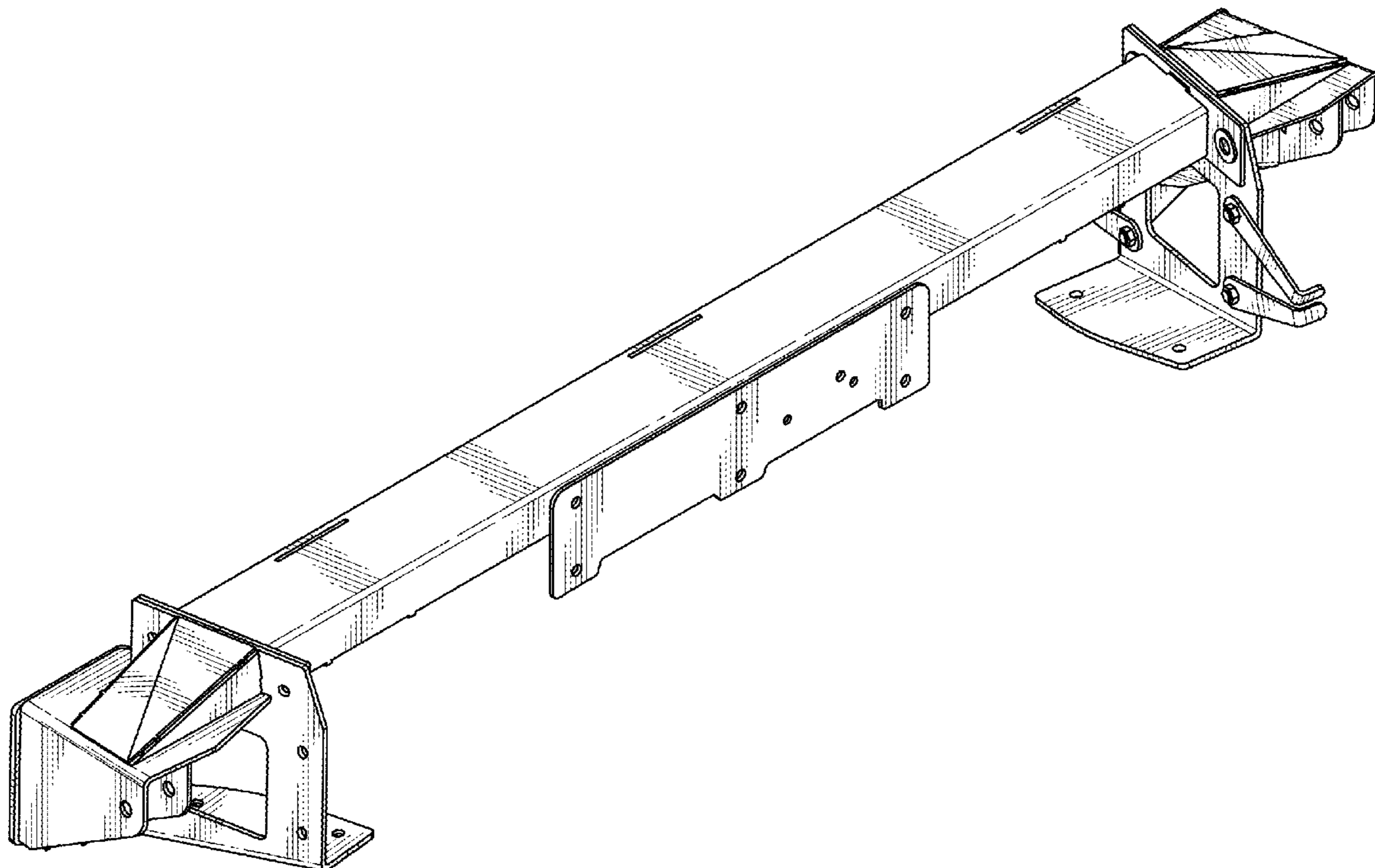
(57) **CLAIM**

The ornamental design for a vehicle rear shock kit, as shown and described.

DESCRIPTION

FIG. 1 is a perspective view of a vehicle rear shock kit embodying the new design;
FIG. 2 is front view;
FIG. 3 is a rear view;
FIG. 4 is a right side view;
FIG. 5 is a left side view;
FIG. 6 is a top view;
FIG. 7 is a bottom view; and,
FIG. 8 is another perspective view of the new design.

1 Claim, 5 Drawing Sheets



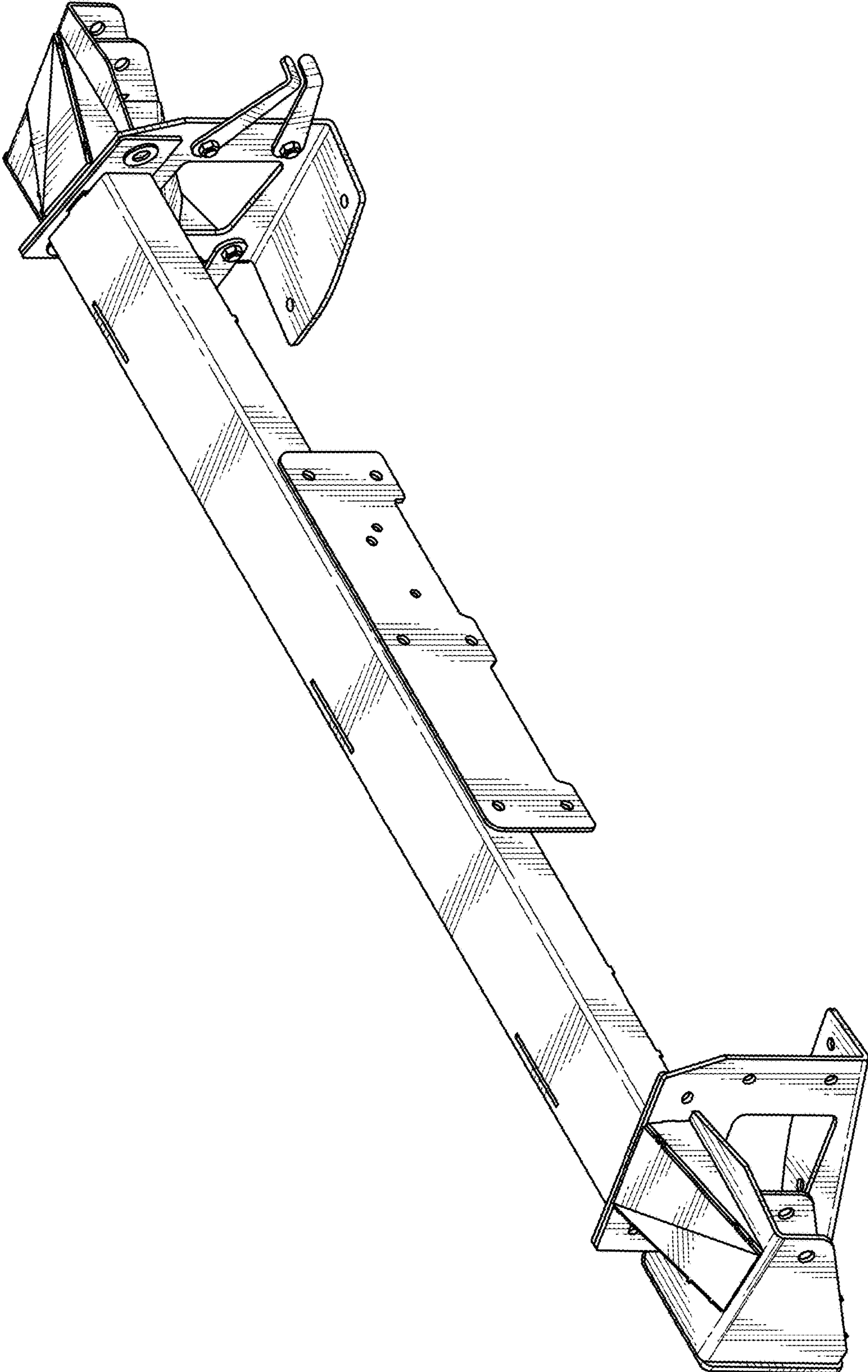


FIG. 1

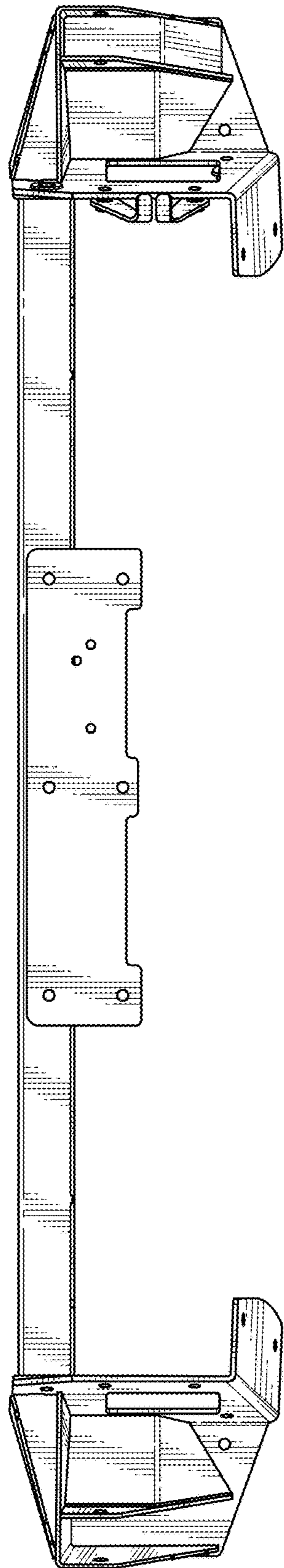


FIG. 2

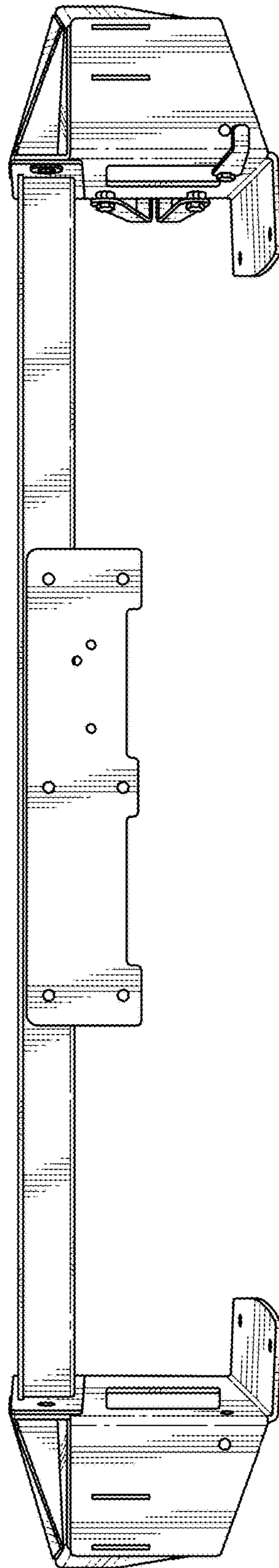


FIG. 3

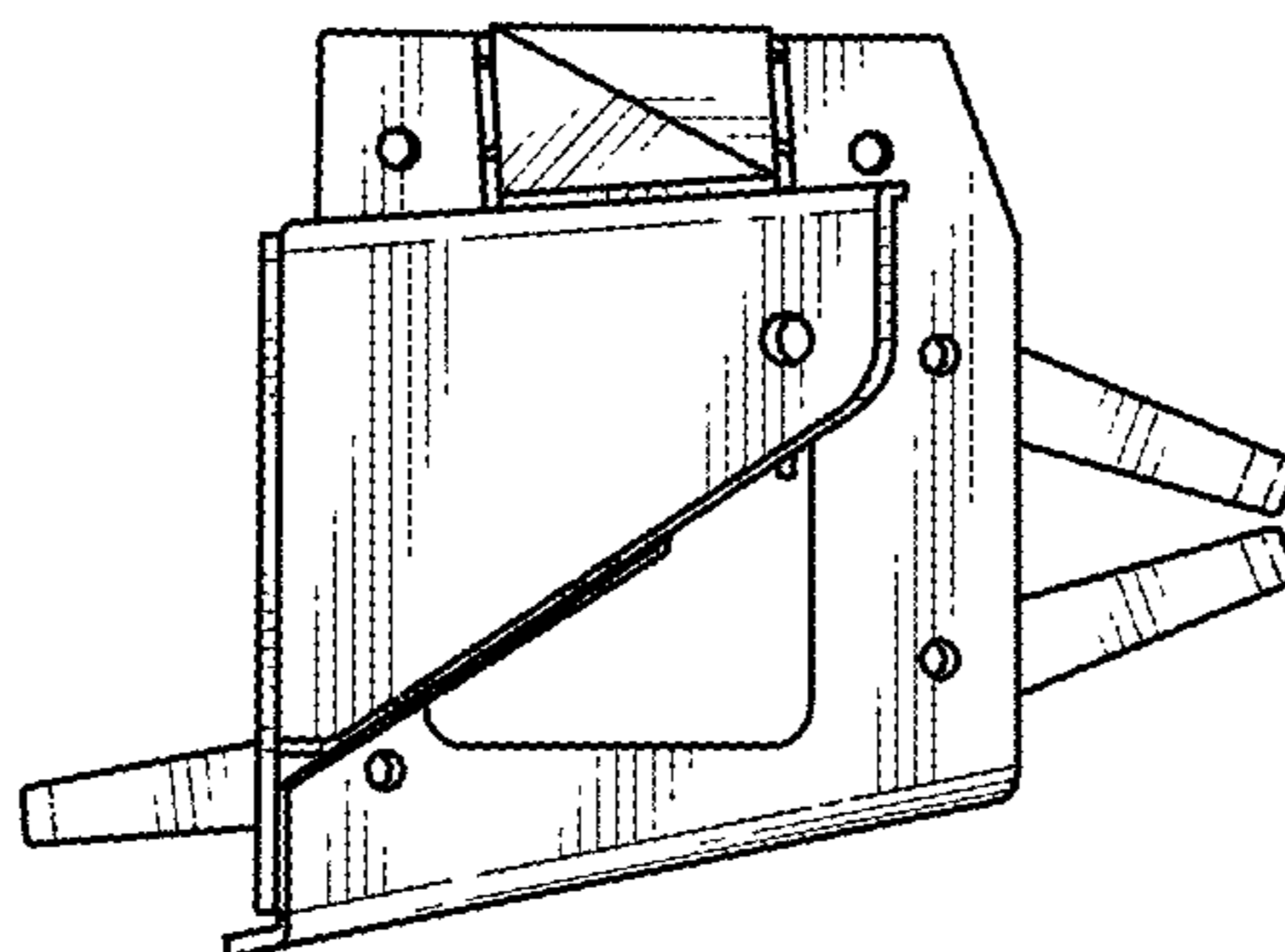


FIG. 4

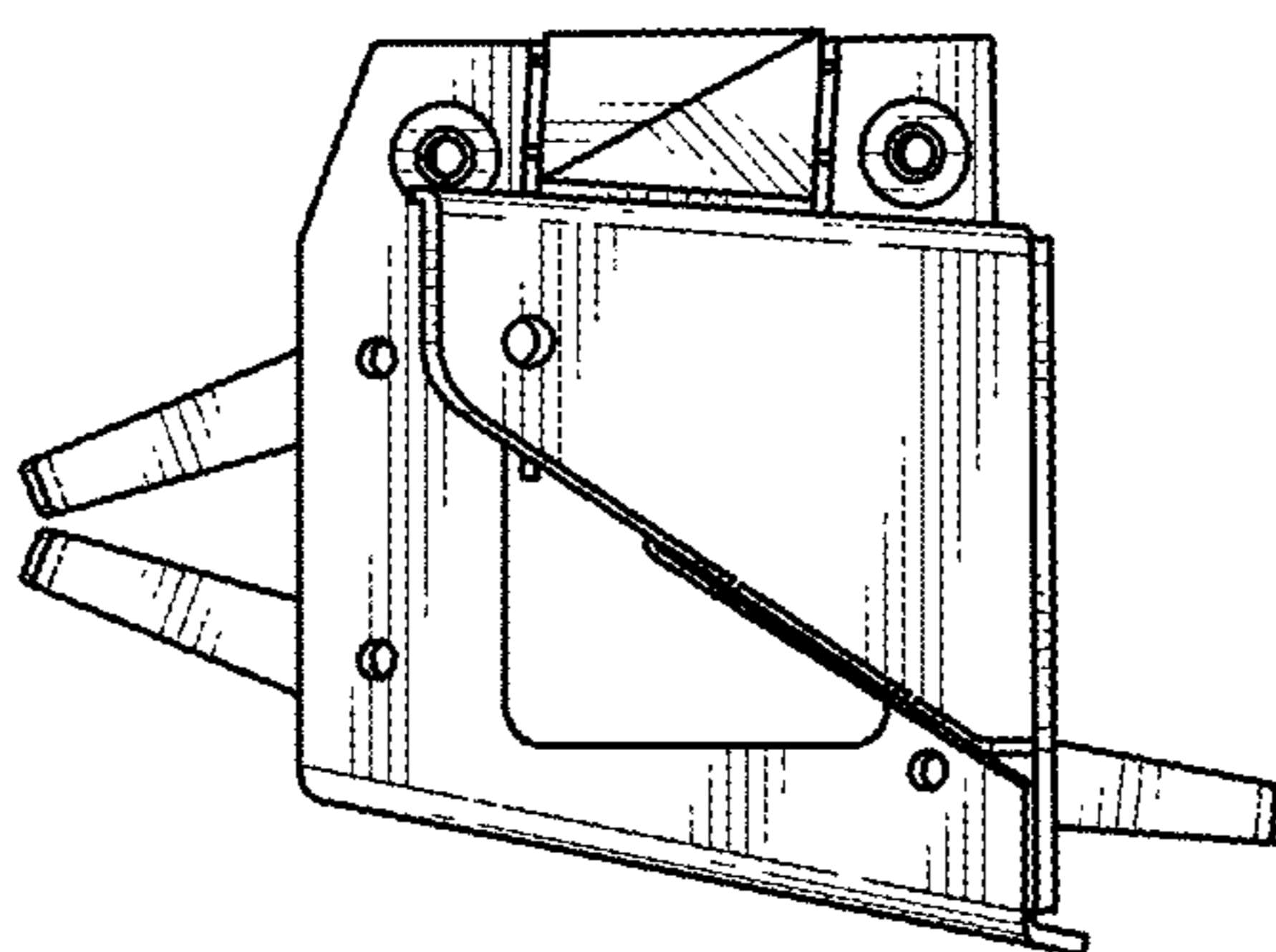


FIG. 5

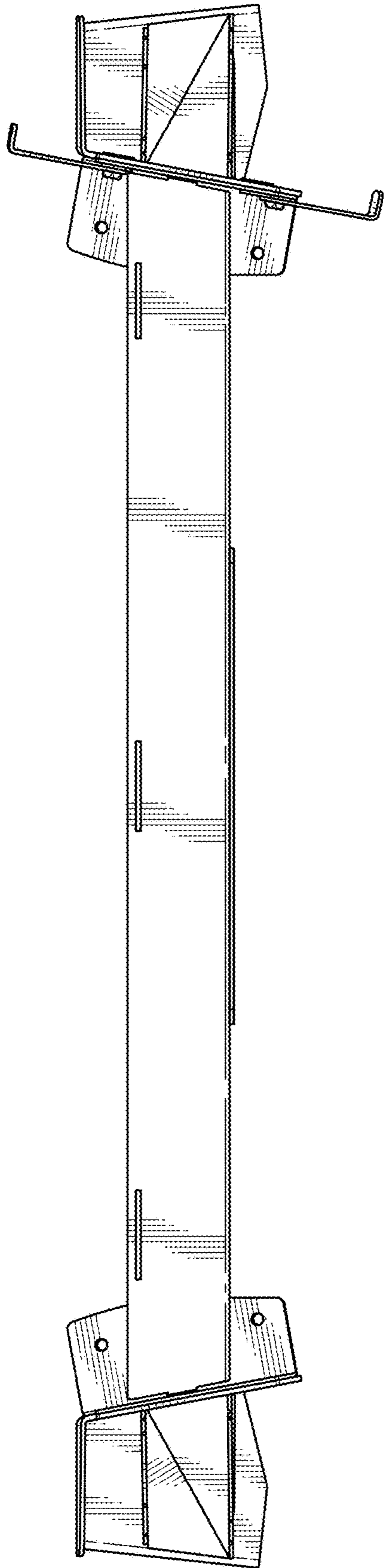


FIG. 6

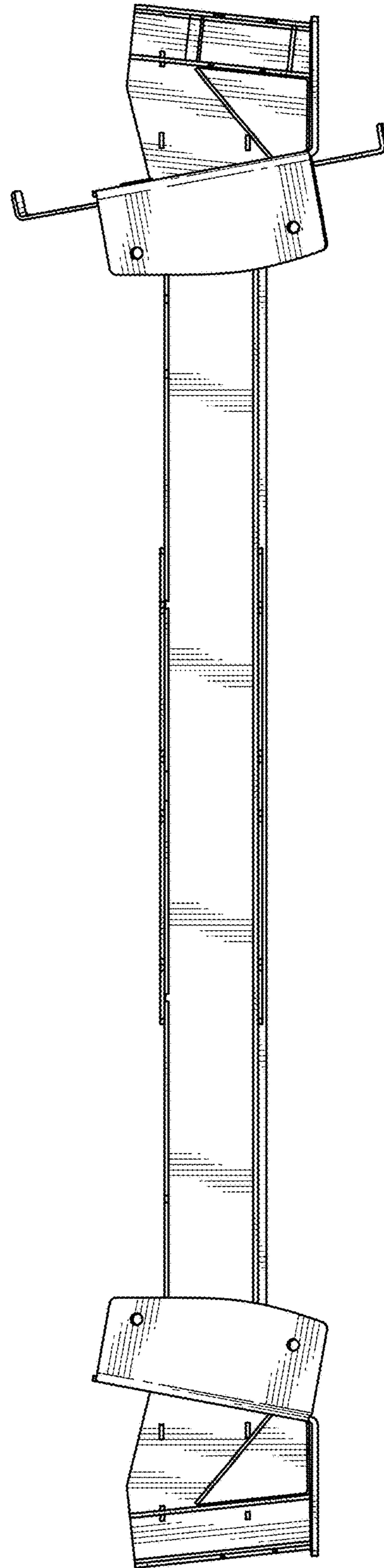


FIG. 7

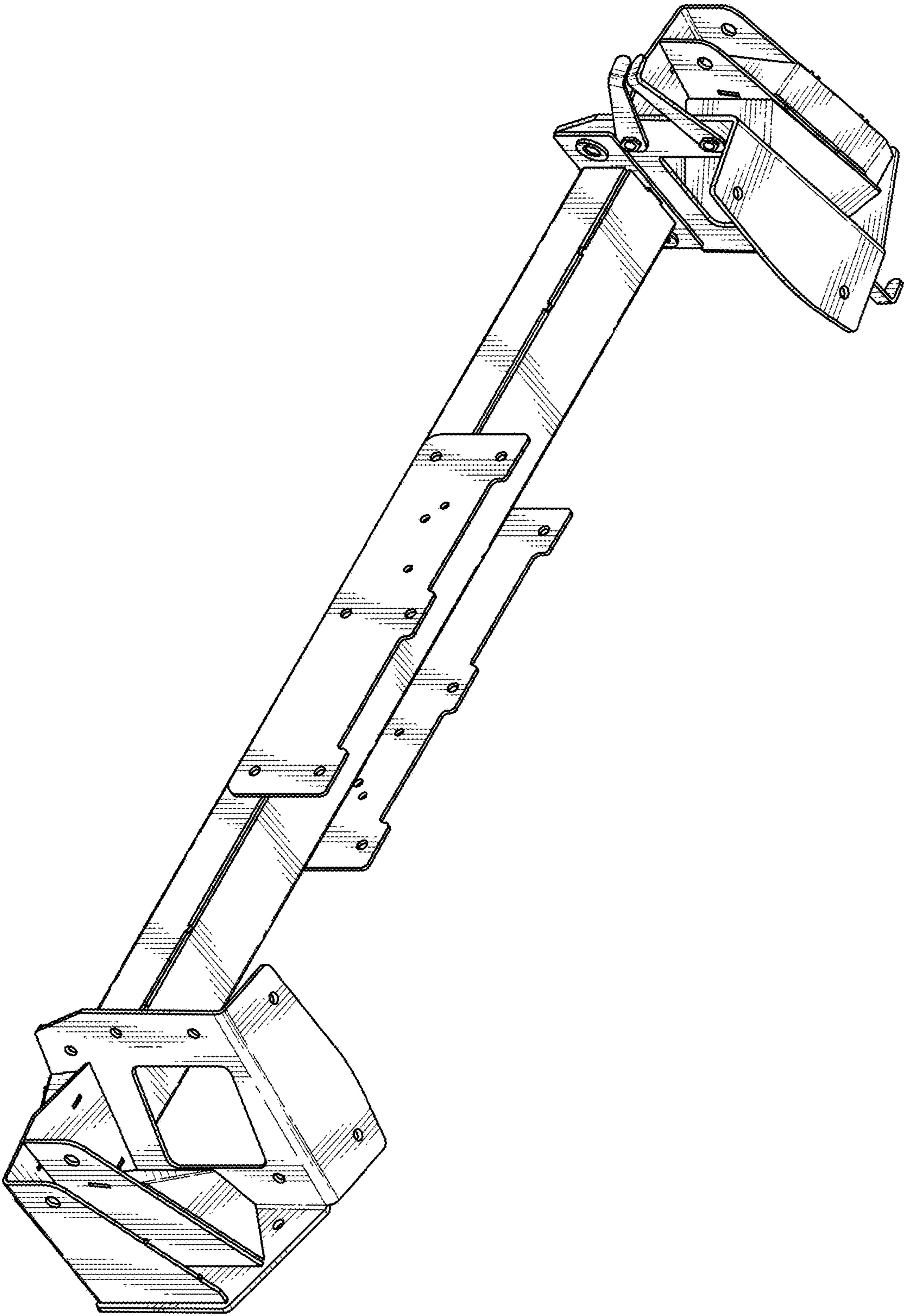


FIG. 8