



US00D780642S

(12) **United States Design Patent**
Karshmer et al.

(10) **Patent No.:** **US D780,642 S**
(45) **Date of Patent:** **** Mar. 7, 2017**

- (54) **ALL TERRAIN WHEELCHAIR ATTACHMENT** 7,641,217 B2 * 1/2010 Yoo A61G 5/08 180/208
- 7,735,847 B2 6/2010 Dougherty
- (71) Applicants: **Cailey Nicole Karshmer**, Cherry Hills 8,028,775 B2 10/2011 Orenbuch
- Village, CO (US); **Lily Ford Fox**, 8,152,192 B2 * 4/2012 Dougherty A61G 5/06 280/304.1
- Denver, CO (US) 8,388,010 B2 * 3/2013 Butts A61G 5/027 280/250.1
- (72) Inventors: **Cailey Nicole Karshmer**, Cherry Hills 8,414,008 B2 4/2013 Hay
- Village, CO (US); **Lily Ford Fox**, 8,585,071 B2 * 11/2013 Golden, Jr. A61G 5/02 280/304.1
- Denver, CO (US) 8,684,113 B1 * 4/2014 Laconis A61G 5/047 180/11
- (**) Term: **15 Years** D749,018 S * 2/2016 Fox D12/133

(21) Appl. No.: **29/549,065**

* cited by examiner

(22) Filed: **Dec. 18, 2015**

Primary Examiner — Charles Hanson
(74) *Attorney, Agent, or Firm* — Reilly Intellectual Property Law Firm

Related U.S. Application Data

- (62) Division of application No. 29/484,180, filed on Mar. 6, 2014, now Pat. No. Des. 749,018.
- (51) **LOC (10) Cl.** **12-12**
- (52) **U.S. Cl.**
USPC **D12/133**
- (58) **Field of Classification Search**
USPC D12/12; D6/611
CPC A61G 5/00–5/14
See application file for complete search history.

(57) **CLAIM**

The ornamental design for an all terrain wheelchair attachment, as shown and described.

DESCRIPTION

FIG. 1 is a perspective view showing our new design; FIG. 2 is a side perspective view showing a different orientation of the view in FIG. 1; FIG. 3 is a side view of FIG. 1; FIG. 4 is a side view of FIG. 2; FIG. 5 is a top view of FIG. 1; FIG. 6 is a bottom view of FIG. 1; FIG. 7 is a back view of FIG. 1; and, FIG. 8 is a front view of FIG. 1. The broken line showing of the wheelchair is included for the purpose of illustrating environment and forms no part of the claimed design.

(56) **References Cited**

U.S. PATENT DOCUMENTS

- 5,494,126 A * 2/1996 Meeker A61G 5/047 180/13
- 6,869,084 B2 3/2005 Volk et al.
- 7,367,432 B2 * 5/2008 Chen B62B 7/08 188/19
- 7,438,145 B2 * 10/2008 Shin B60K 17/043 180/65.1
- D592,373 S * 5/2009 Evans D12/133

1 Claim, 4 Drawing Sheets

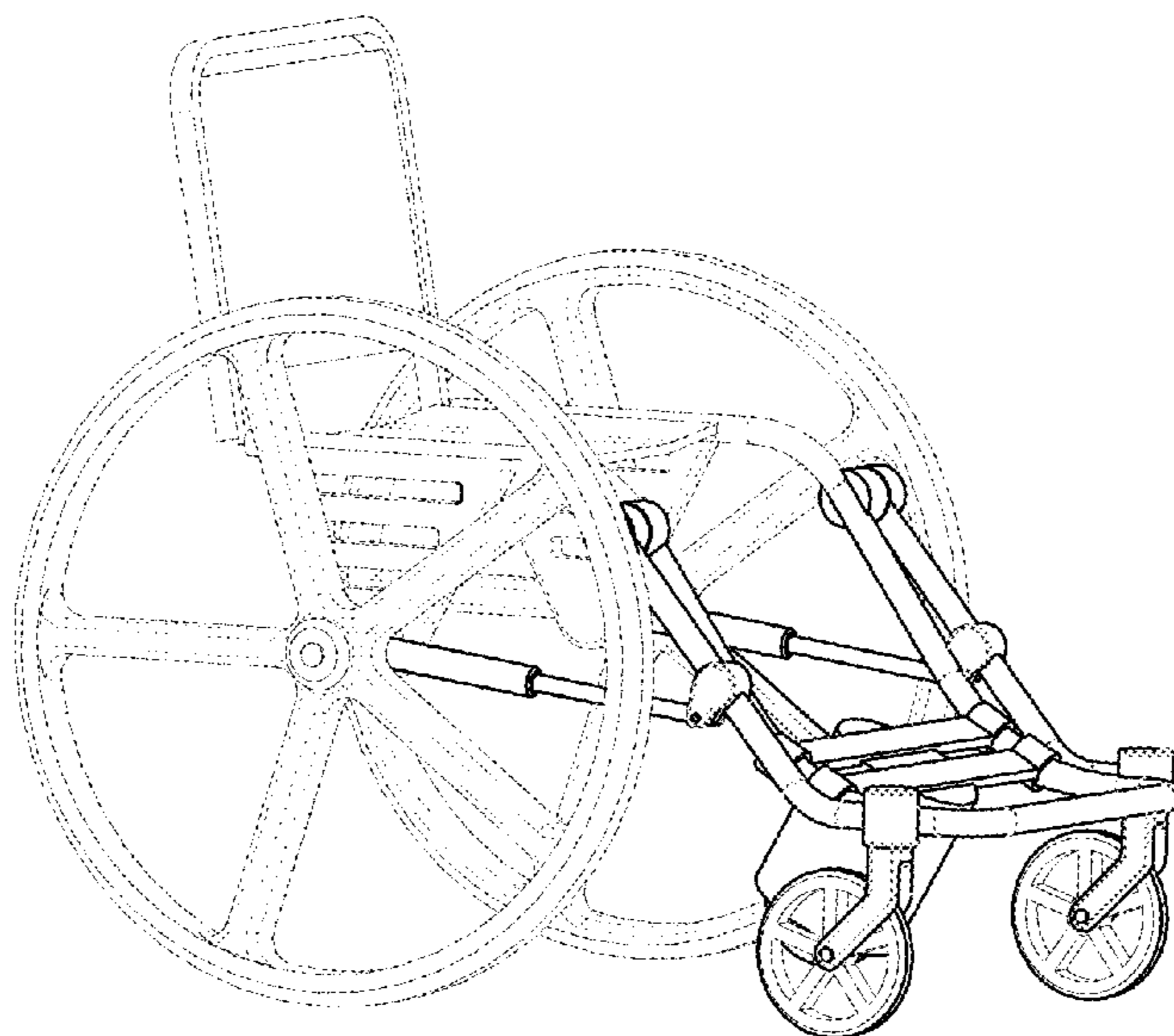


Fig. 1

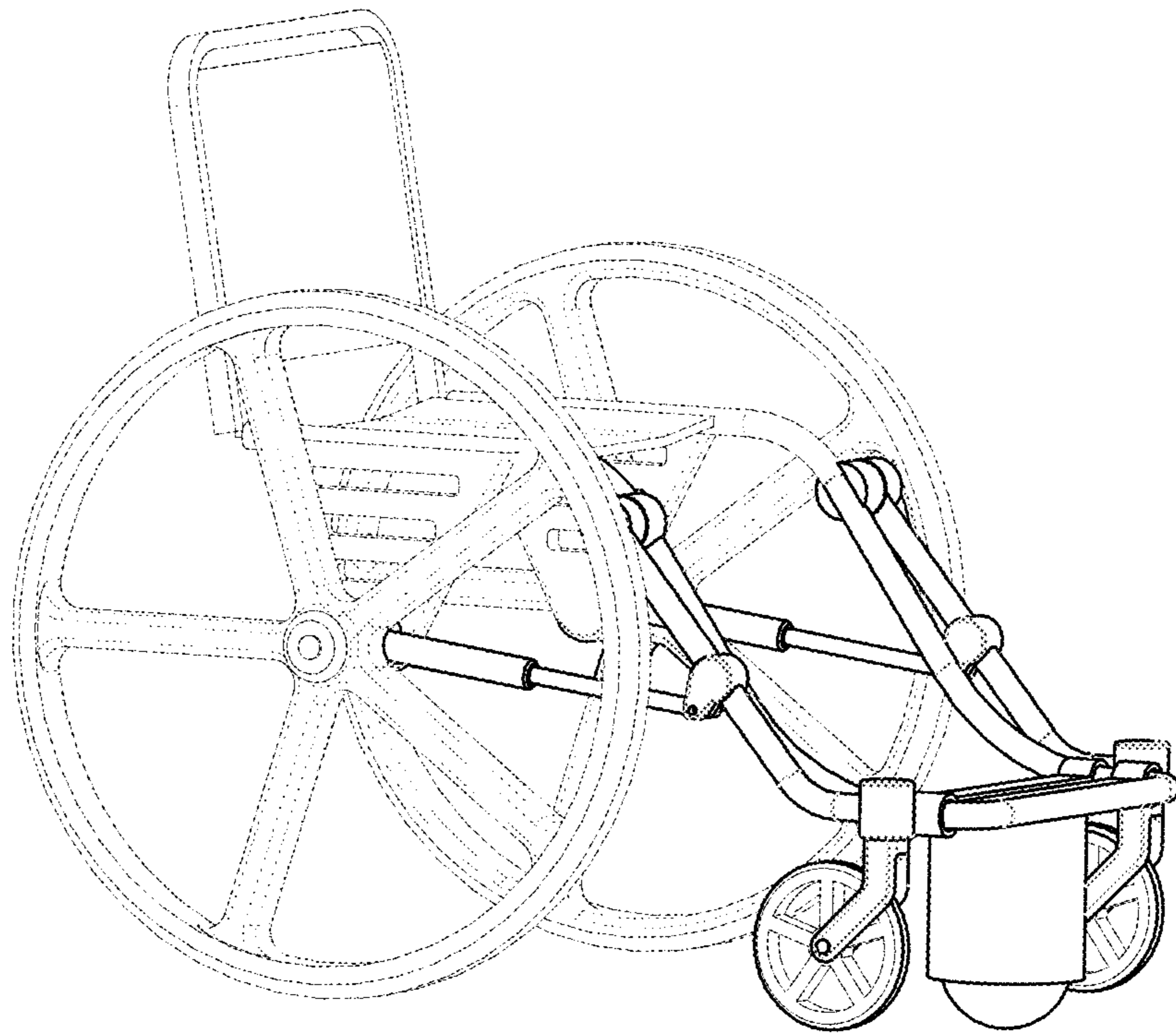


Fig. 2

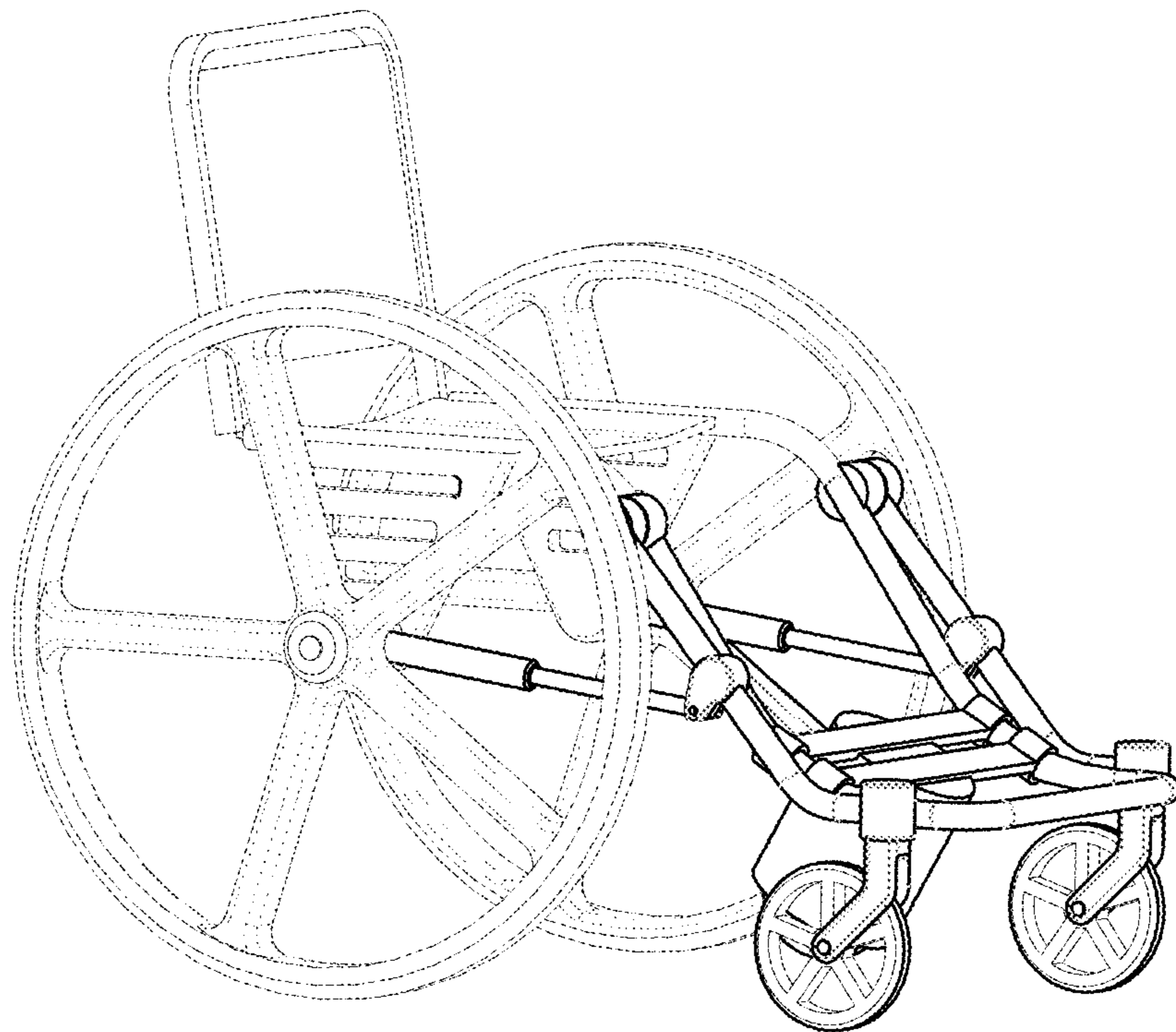


Fig. 3

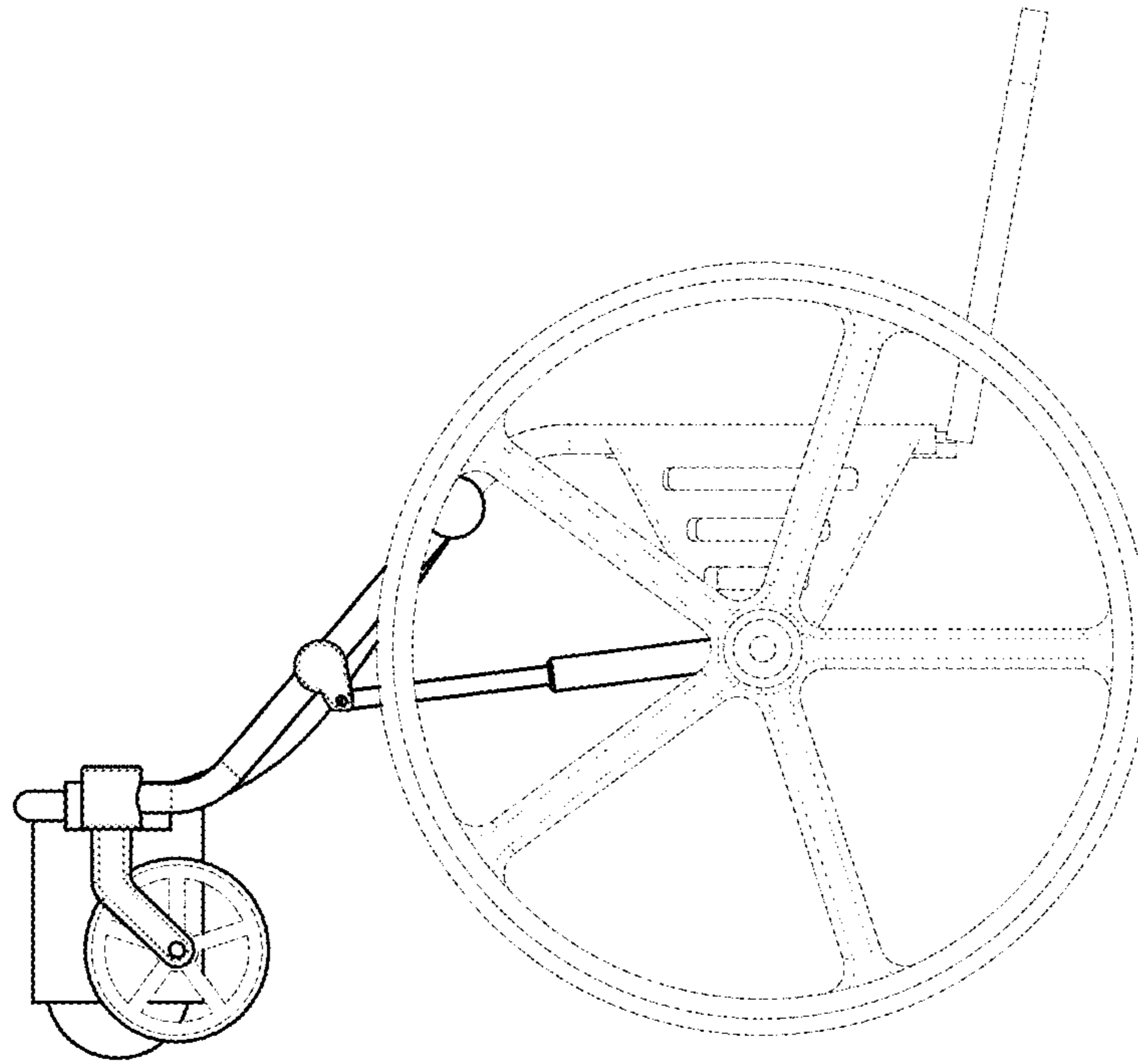


Fig. 4

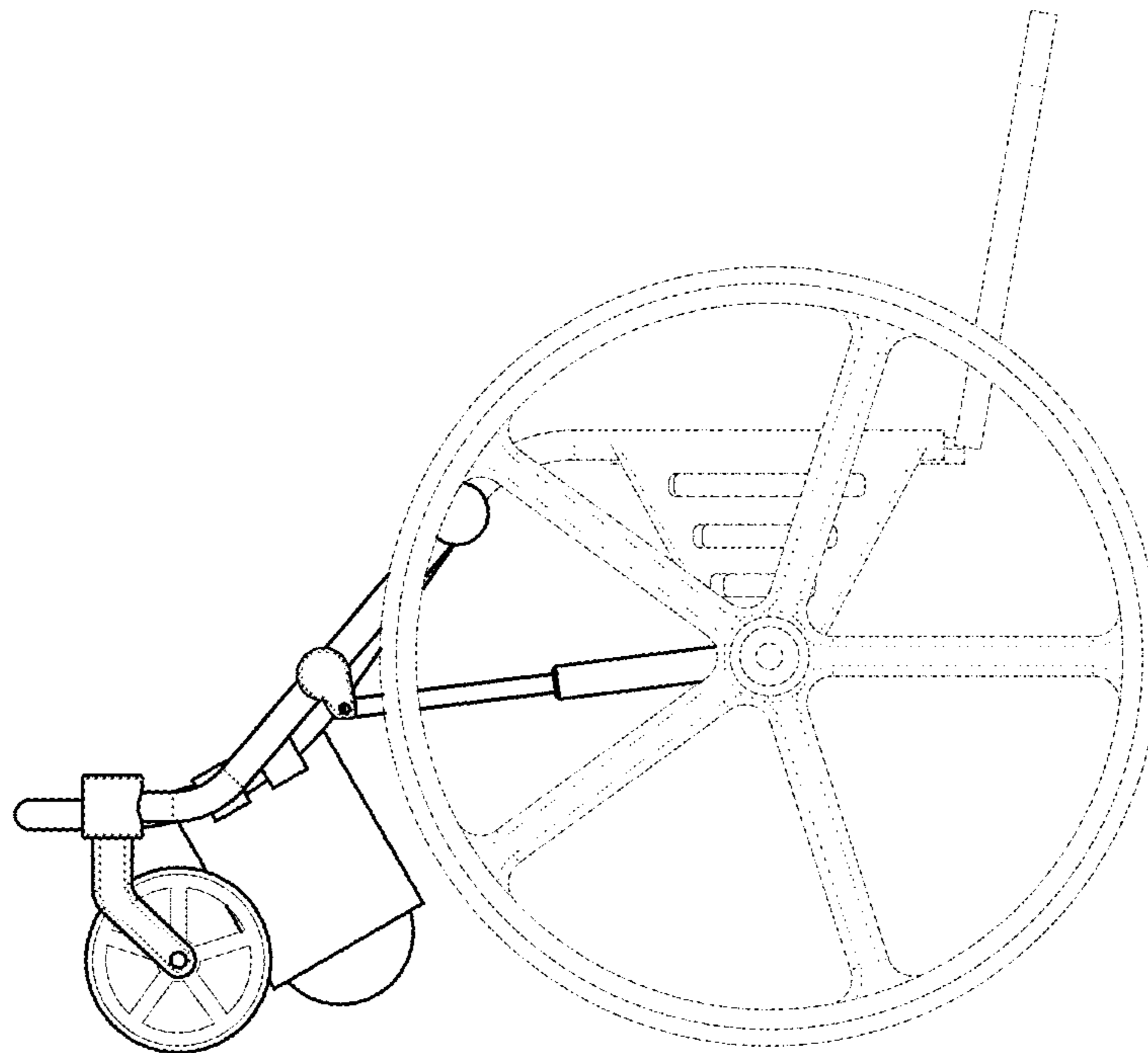


Fig. 5

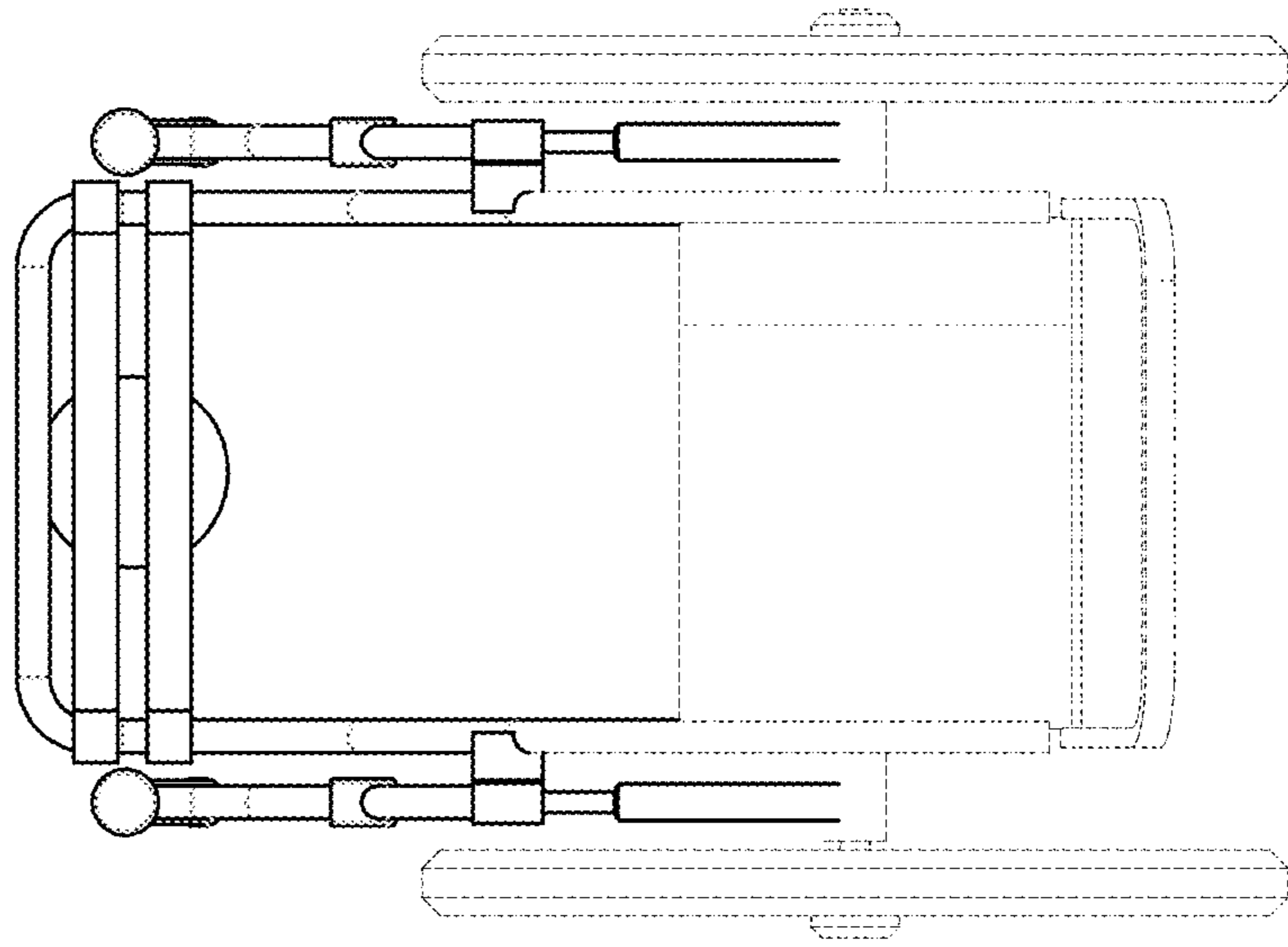


Fig. 6

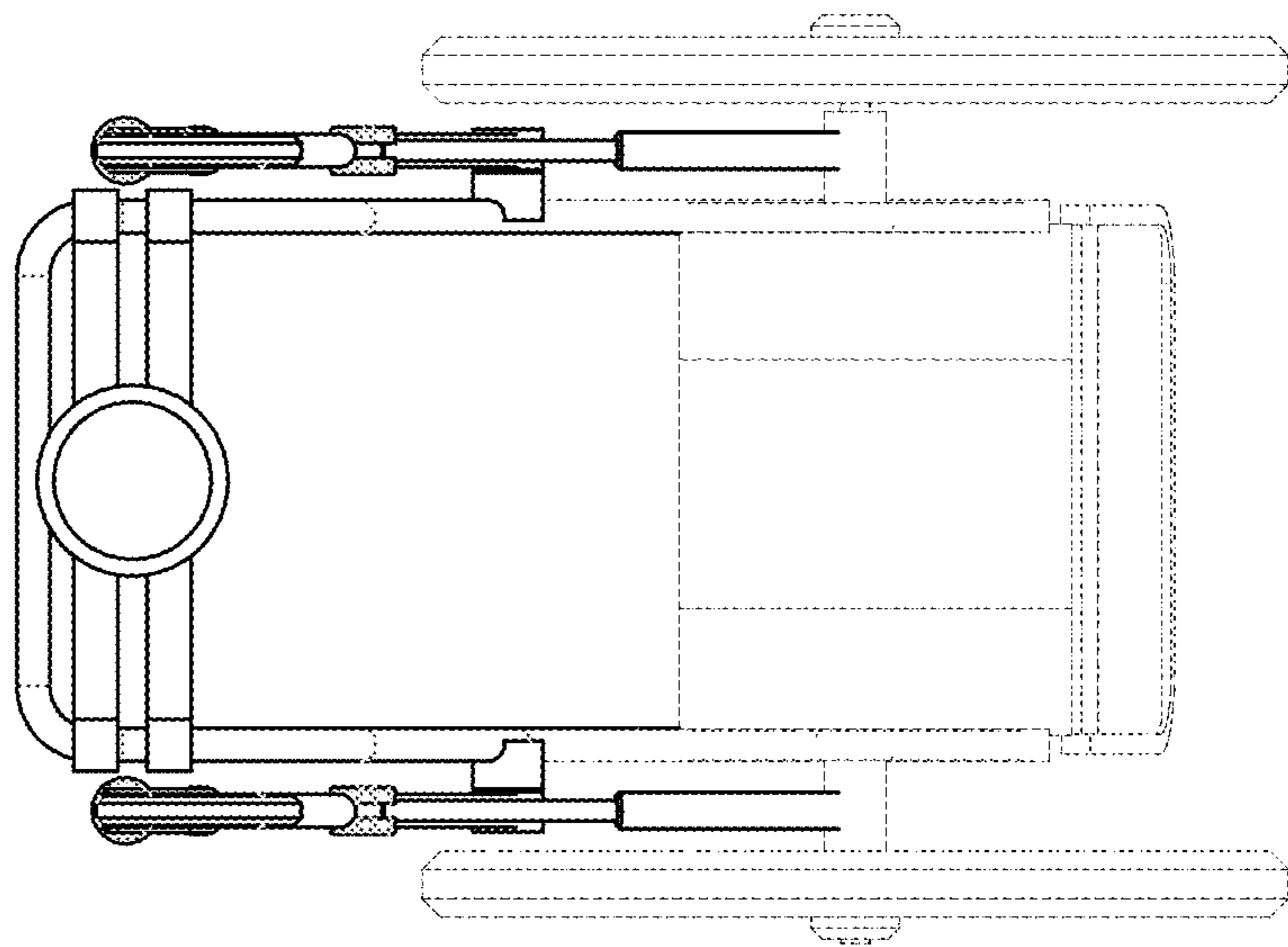


Fig. 7

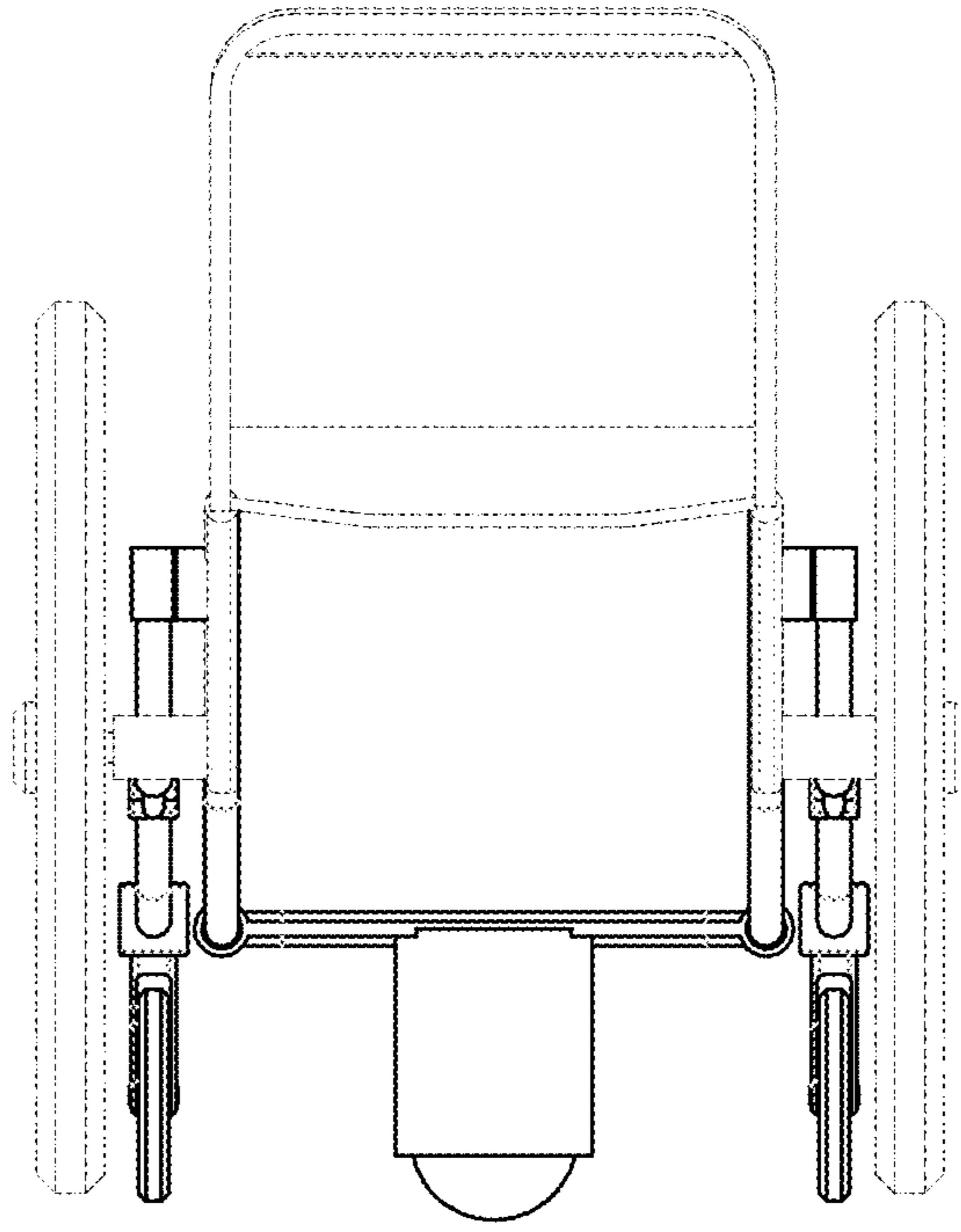


Fig. 8

