



US00D780640S

(12) **United States Design Patent**  
**Hudson, Jr. et al.**

(10) **Patent No.:** **US D780,640 S**  
(45) **Date of Patent:** **\*\* Mar. 7, 2017**

(54) **MULTI-ARM EXTENDING BICYCLE RACK**

(71) Applicant: **Feedback Sports LLC**, Golden, CO  
(US)

(72) Inventors: **Douglas Hudson, Jr.**, Golden, CO  
(US); **William Allen, III**, Westminster,  
CO (US)

(73) Assignee: **Feedback Sports LLC**, Golden, CO  
(US)

(\*\*) Term: **14 Years**

(21) Appl. No.: **29/500,446**

(22) Filed: **Aug. 25, 2014**

(51) **LOC (10) Cl.** ..... **12-11**

(52) **U.S. Cl.**  
USPC ..... **D12/115**

(58) **Field of Classification Search**  
USPC ..... D12/115, 120; 211/5, 17-22; 280/293;  
224/42.11, 42.12, 42.13, 42.26, 309, 324,  
224/325, 533, 545, 924; 248/176.1, 309.1  
(Continued)

(56) **References Cited**

**U.S. PATENT DOCUMENTS**

3,872,972 A \* 3/1975 Cummins ..... B62H 3/02  
211/117  
3,879,027 A \* 4/1975 Thurmond, Jr. .... B25H 1/0014  
211/22

(Continued)

**FOREIGN PATENT DOCUMENTS**

CA 2772596 9/2013

**OTHER PUBLICATIONS**

Home Depot.com online store product page for Everbilt Heavy  
Duty Flip-Up Storage Hanger, Model # 01195, Internet #

202305470, Store SKU # 470777, Product Overview and Specifi-  
cations, retrieved from the Internet on Aug. 25, 2014., 1 page.

*Primary Examiner* — Darlington Ly

(74) *Attorney, Agent, or Firm* — Holzer Patel Drennan

(57) **CLAIM**

The ornamental design for a multi-arm extending bicycle  
rack, as shown and described.

**DESCRIPTION**

FIG. 1 is a front perspective view of the multi-arm extending  
bicycle rack in accordance to our new design;

FIG. 2 is a rear perspective view thereof;

FIG. 3 is a front elevation view thereof;

FIG. 4 is a rear elevation view thereof;

FIG. 5 is a right side elevation view thereof, of which the left  
side elevation view is a mirror image thereto;

FIG. 6 is a top plan view thereof;

FIG. 7 is a bottom plan view thereof;

FIG. 8 is a front perspective view thereof, with the left arm  
extended;

FIG. 9 is a rear perspective view thereof, with the left arm  
extended;

FIG. 10 is a front perspective view thereof, with the right  
arm extended;

FIG. 11 is a rear perspective view thereof, with the right arm  
extended;

FIG. 12 is a front perspective view thereof, wherein the left  
arm is raised and the right arm is lowered;

FIG. 13 is a rear perspective view thereof, wherein the left  
arm is raised and the right arm is lowered;

FIG. 14 is a front perspective view thereof, wherein the left  
arm is lowered and the right arm is raised;

FIG. 15 is a rear perspective view thereof, wherein the left  
arm is lowered and the right arm is raised;

FIG. 16 is a front perspective view thereof, wherein the  
multi-arm extending bicycle rack is shown at a reduced scale  
holding an environmental bicycle;

FIG. 17 is a top plan view thereof, wherein the multi-arm  
extending bicycle rack is shown at a reduced scale holding  
an environmental bicycle; and,

(Continued)

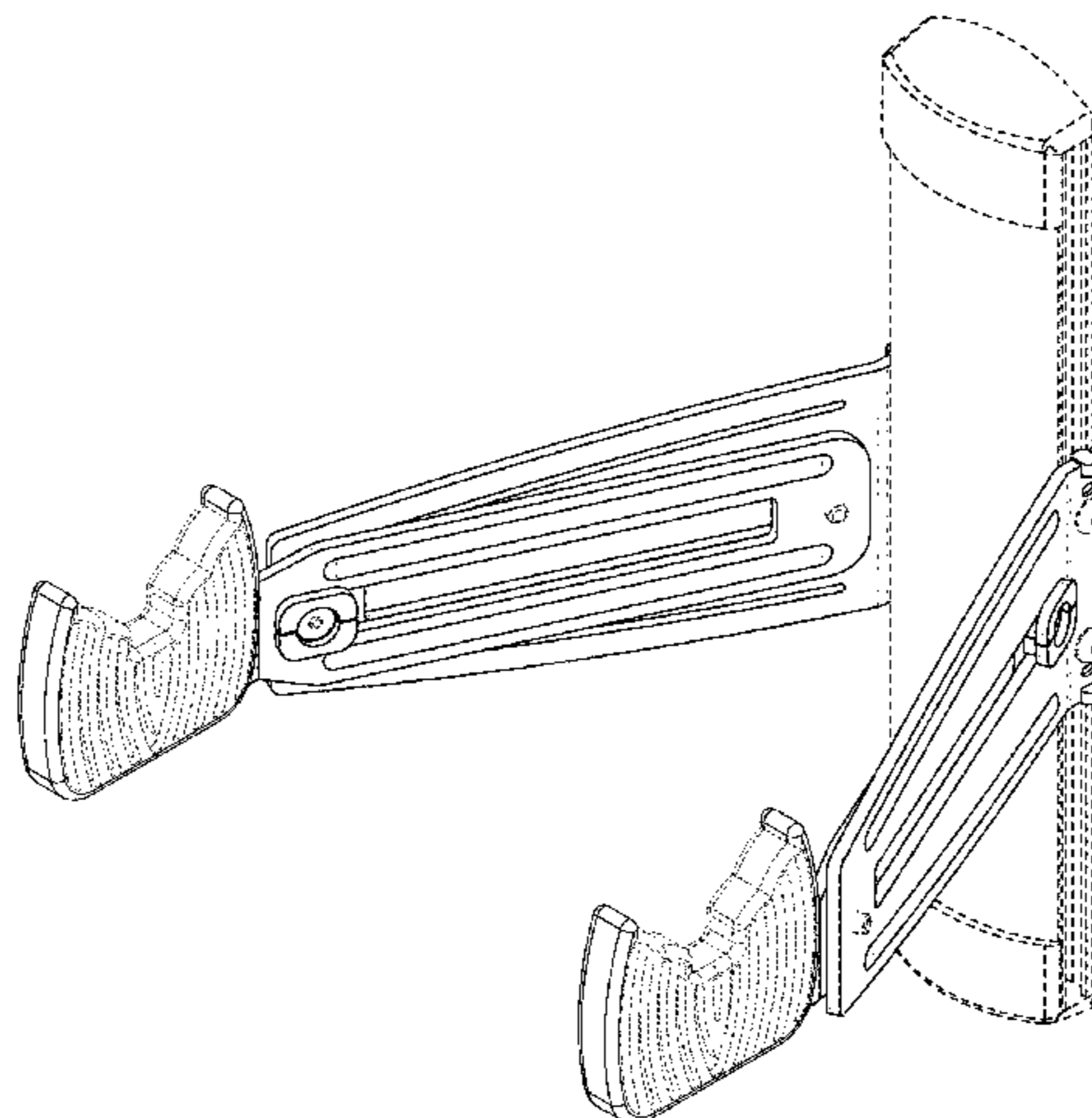


FIG. 18 is a cross-sectional view of the left arm of the multi-arm extending bicycle rack as taken at line 18-18 in FIG. 6, of which the cross-sectional of the right arm is also a mirror image thereto.

The broken line showing a bicycle is for the purpose of illustrating environmental structure and all other broken lines in the drawings illustrate portions of the multi-arm extending bicycle rack. All subject matter shown in broken lines do not form part of the claimed design.

**1 Claim, 18 Drawing Sheets**

(58) **Field of Classification Search**

CPC .. B62H 3/00; B62H 3/10; B62D 43/02; B60R 9/06; F16M 13/00

See application file for complete search history.

(56) **References Cited**

U.S. PATENT DOCUMENTS

D235,427 S \* 6/1975 Generalis et al. .... D12/115  
 3,976,200 A \* 8/1976 Munns ..... B62H 3/12  
 211/100  
 4,116,341 A \* 9/1978 Hebda ..... B62H 3/12  
 211/116  
 4,392,572 A \* 7/1983 Bernard ..... B62H 3/12  
 211/19

4,552,270 A \* 11/1985 Lentz ..... B62H 3/12  
 211/17  
 4,813,550 A \* 3/1989 Saeks ..... A47B 96/1408  
 211/17  
 D313,957 S \* 1/1991 Martinell ..... D12/115  
 D323,307 S \* 1/1992 Fernandez-Bell ..... D12/115  
 5,104,083 A \* 4/1992 Shannon ..... B60R 7/10  
 211/105.1  
 D327,458 S \* 6/1992 Martinell ..... D12/115  
 D335,234 S \* 5/1993 Alguire ..... D6/552  
 D343,320 S \* 1/1994 Smith ..... D6/552  
 D344,868 S \* 3/1994 Martinell ..... D6/552  
 5,492,228 A \* 2/1996 Botkin ..... B62H 3/00  
 211/205  
 D394,975 S \* 6/1998 Wilkening ..... D12/115  
 5,941,397 A \* 8/1999 Buchanan ..... B62H 3/12  
 211/19  
 6,082,552 A \* 7/2000 Pollock ..... B62H 3/12  
 211/104  
 D632,228 S \* 2/2011 Marin ..... D12/115  
 8,413,820 B2 4/2013 Steadman et al.  
 D684,505 S \* 6/2013 Stavinga ..... D12/115  
 D694,674 S \* 12/2013 Higgins ..... D12/115  
 8,757,397 B2 \* 6/2014 Shaha ..... B62H 3/12  
 211/17  
 2009/0178984 A1 \* 7/2009 Ouyang ..... B62H 3/12  
 211/18  
 2010/0237027 A1 \* 9/2010 Shaha ..... B62H 3/12  
 211/17

\* cited by examiner

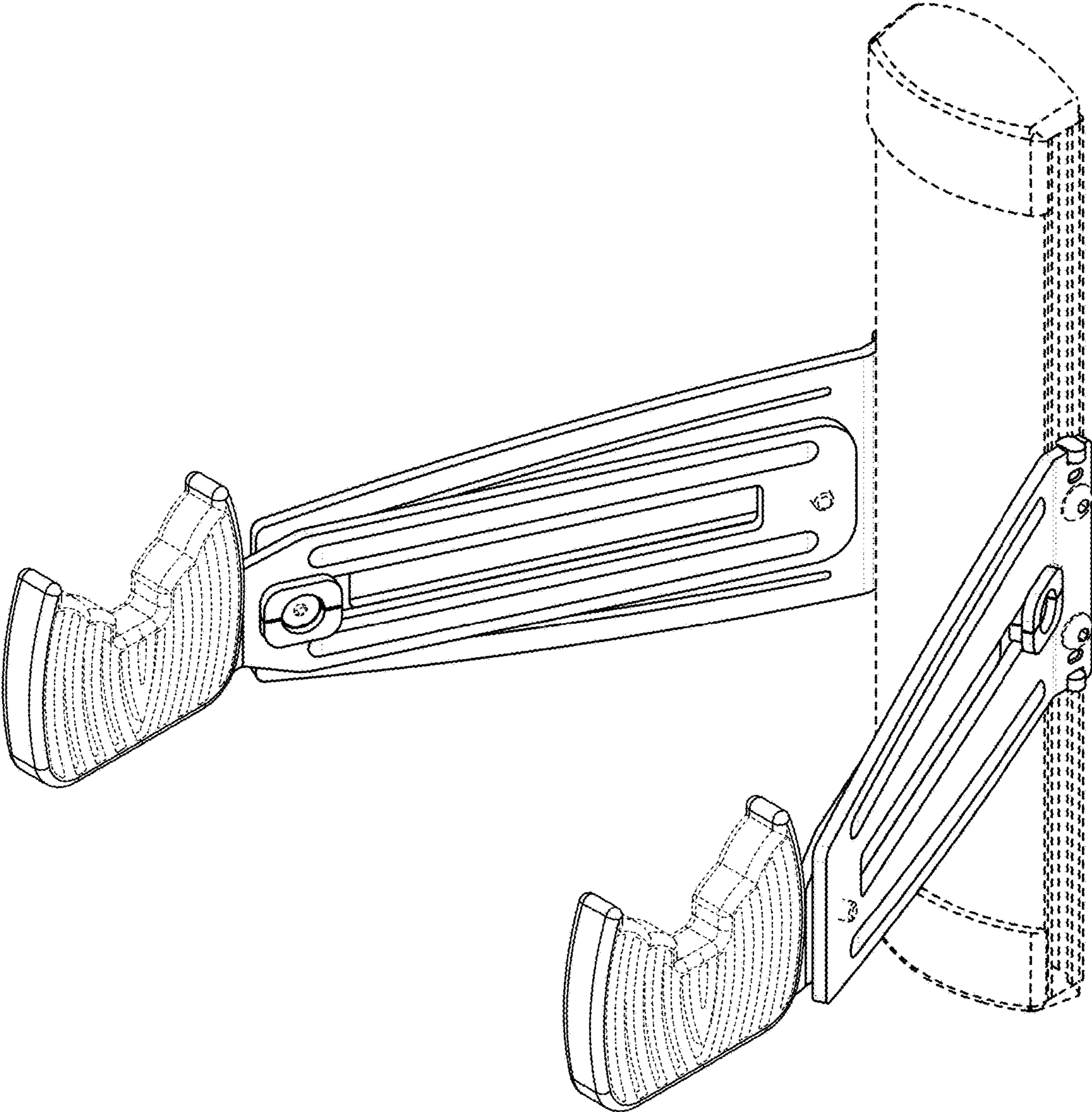


FIG. 1

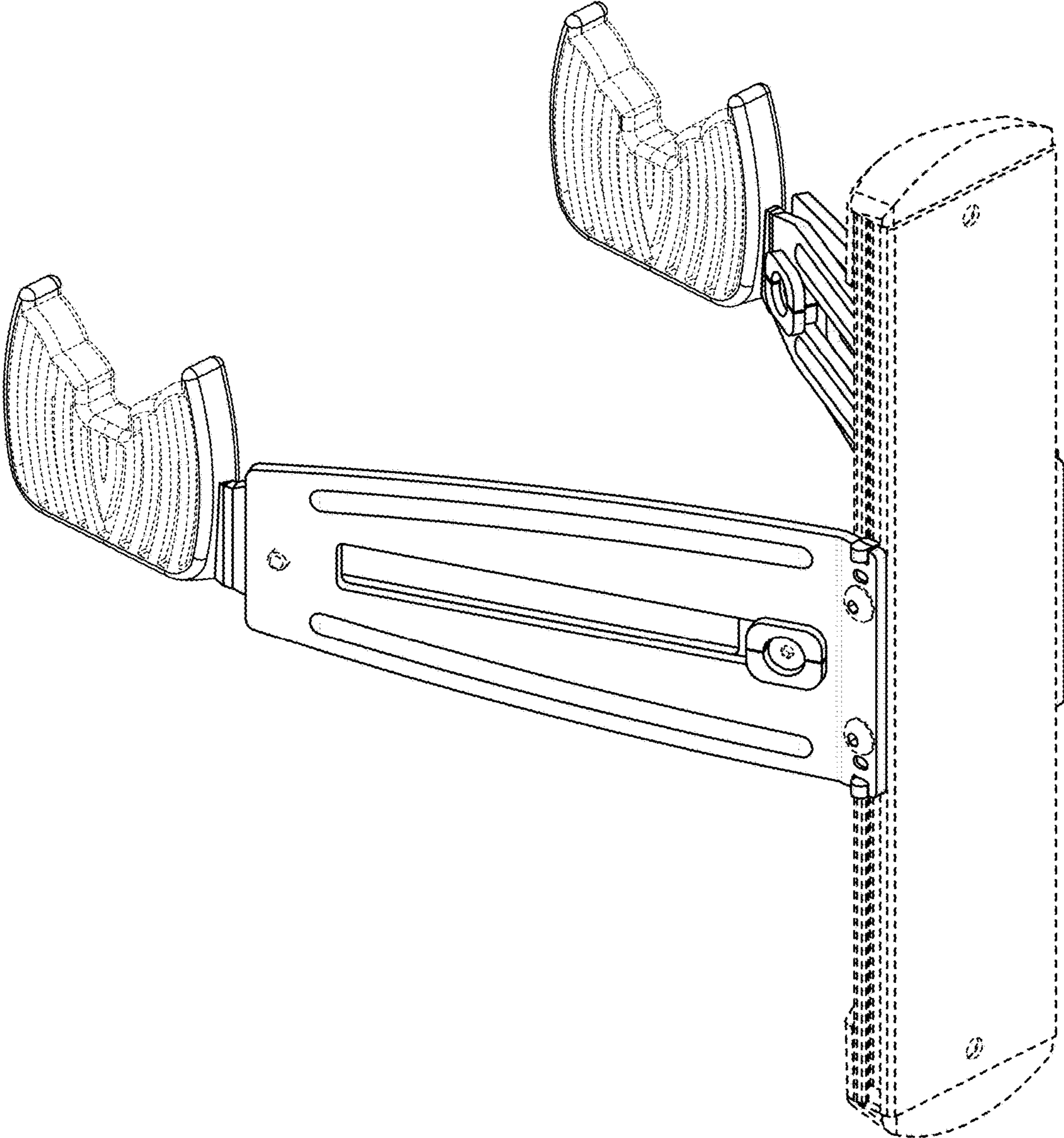


FIG. 2

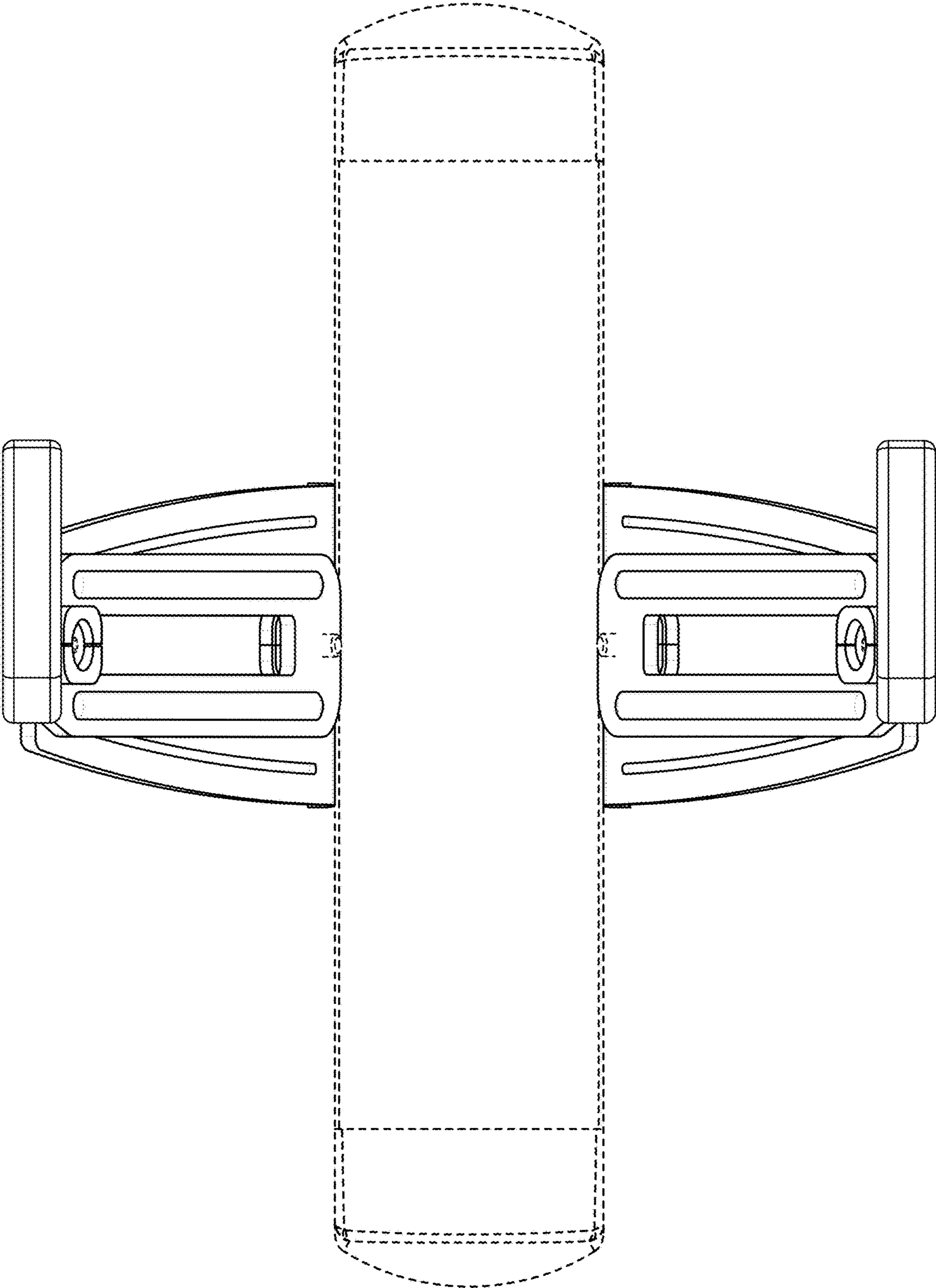


FIG. 3

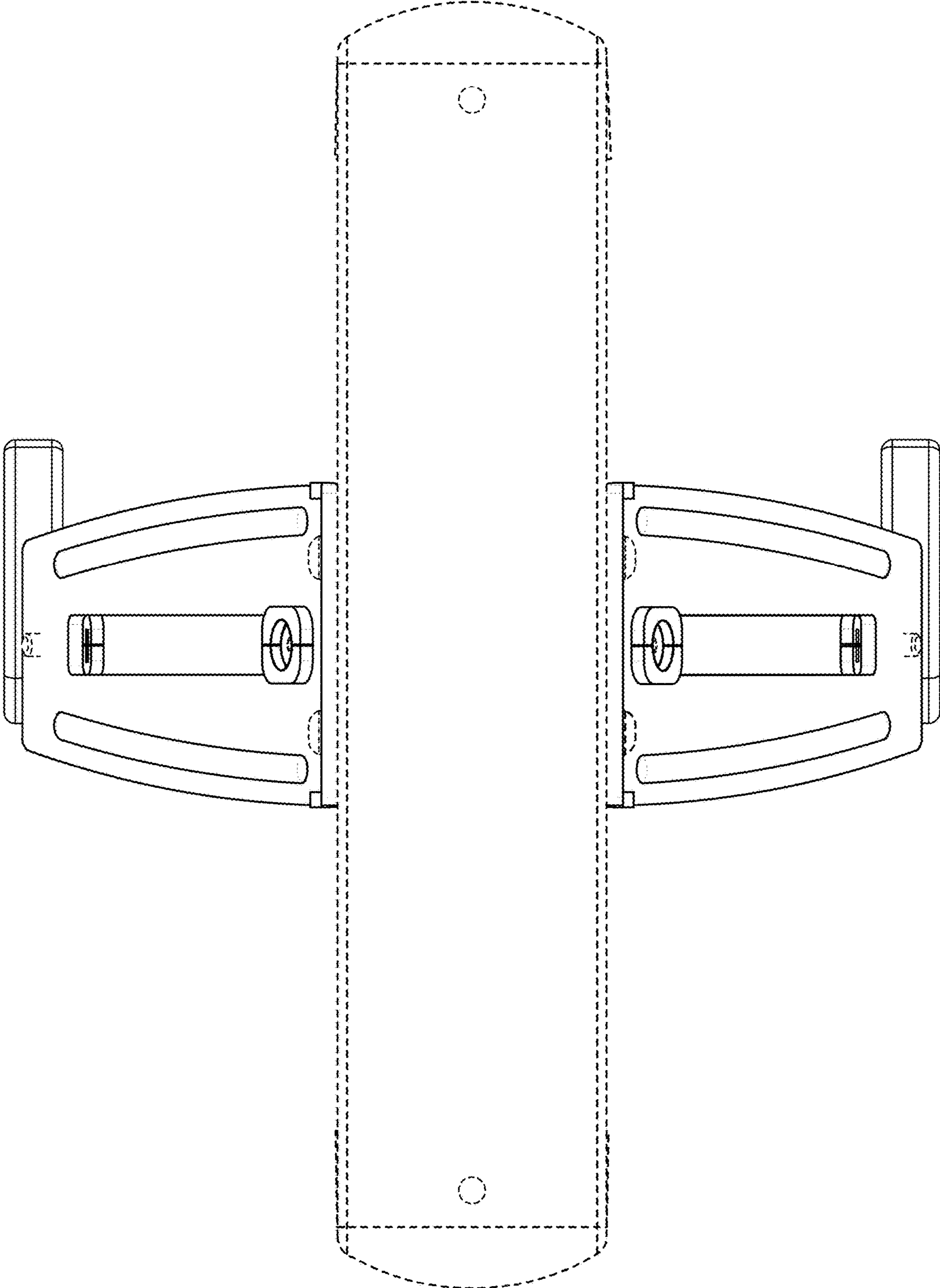


FIG. 4

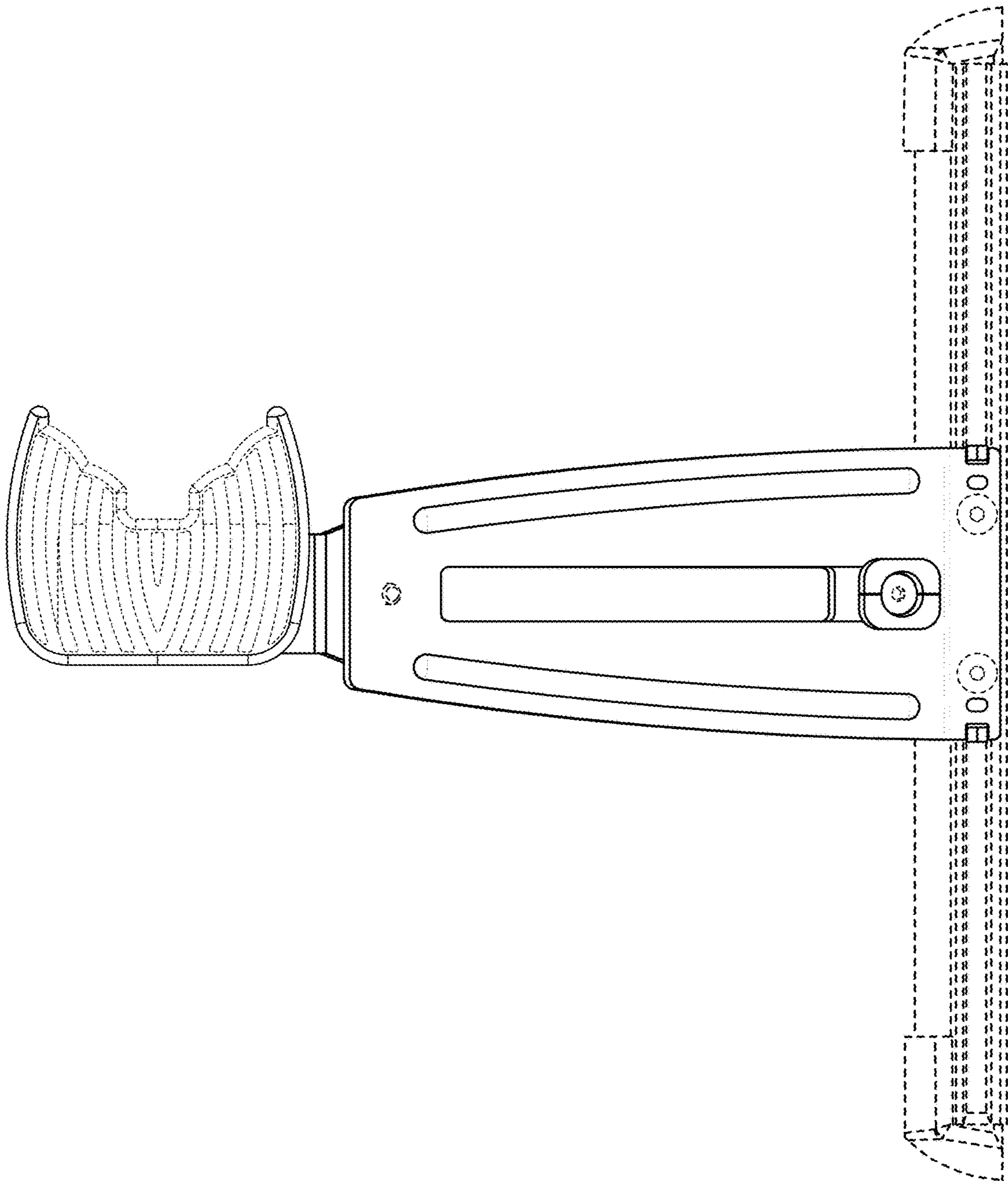


FIG. 5

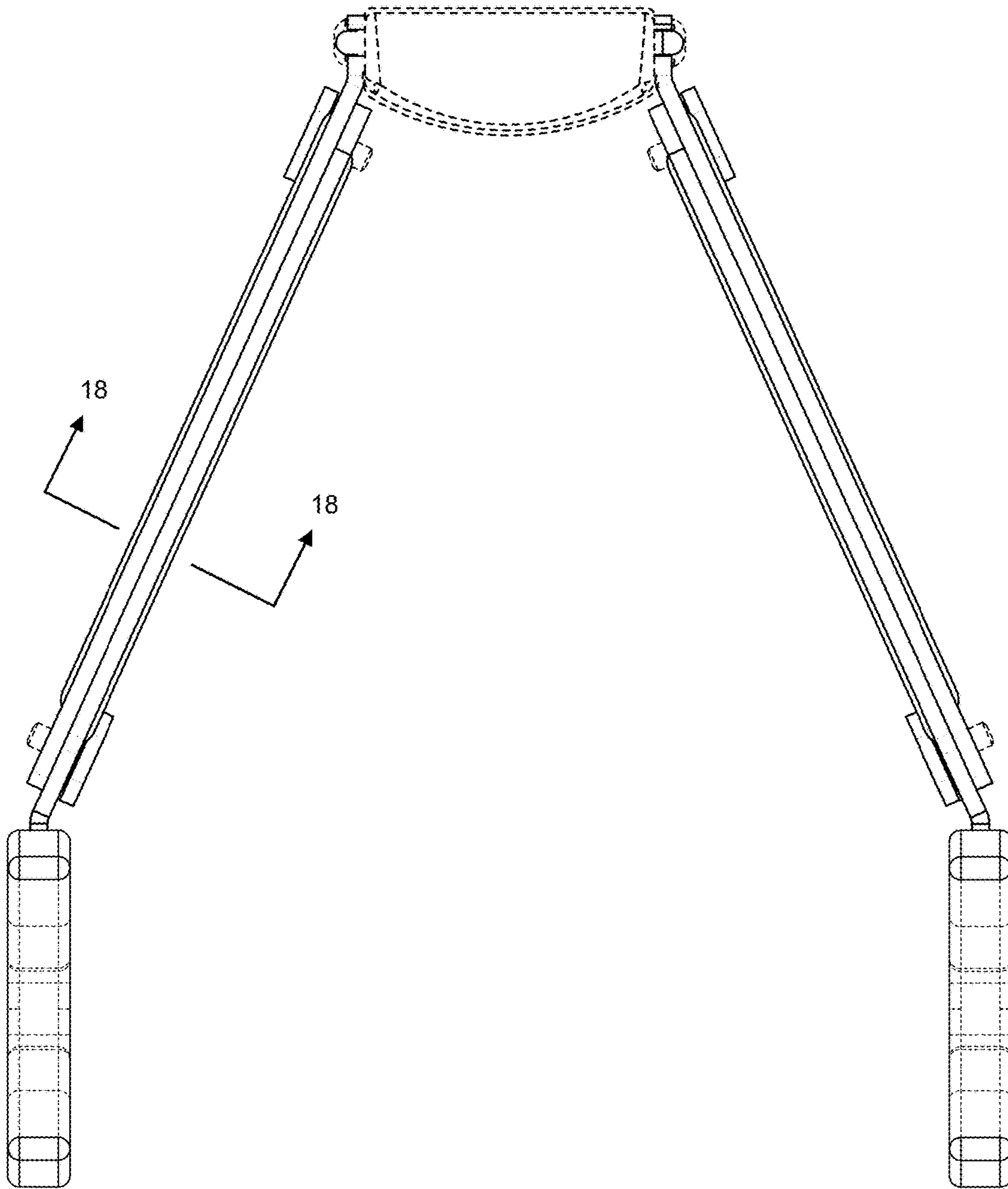


FIG. 6



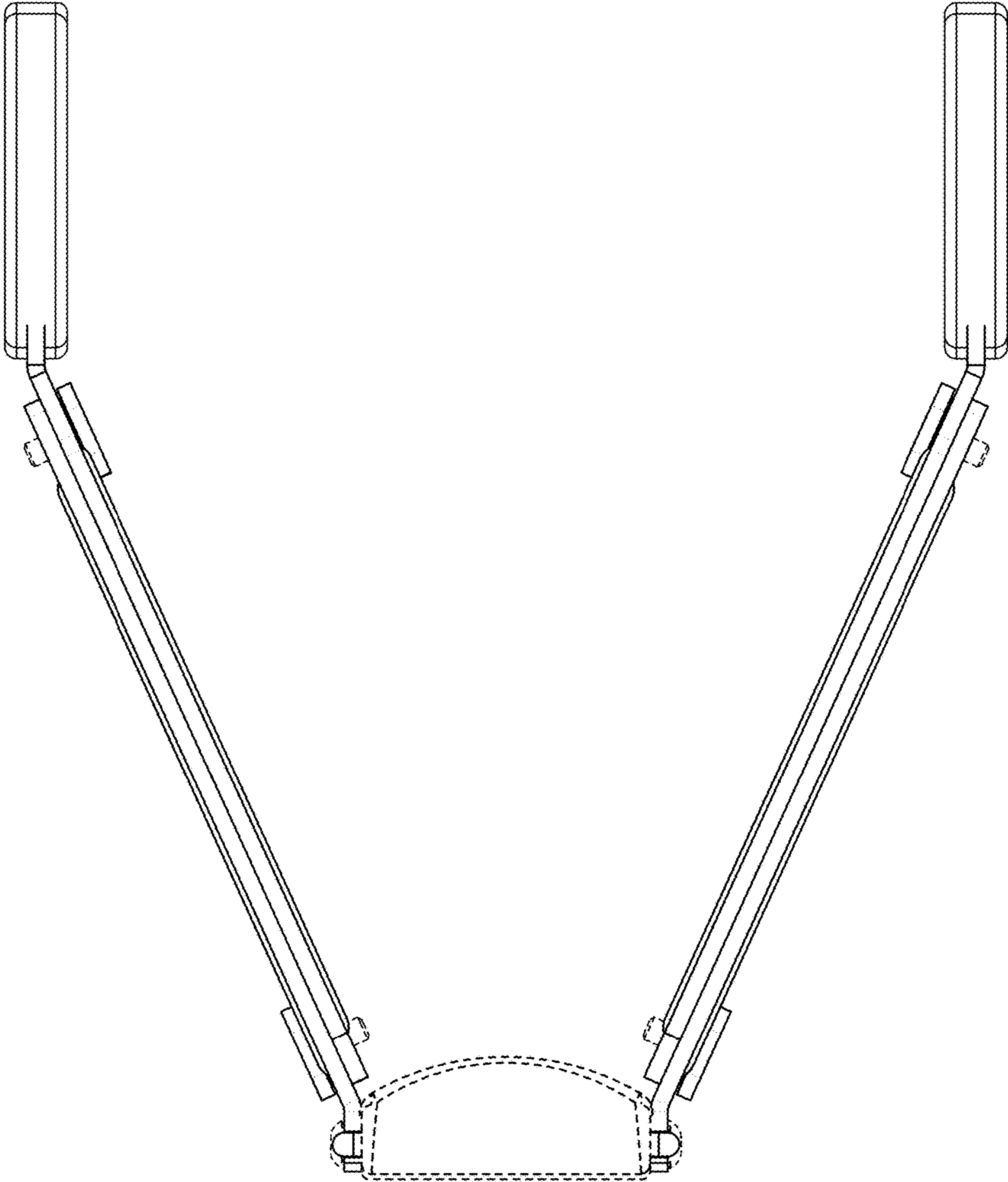


FIG. 7

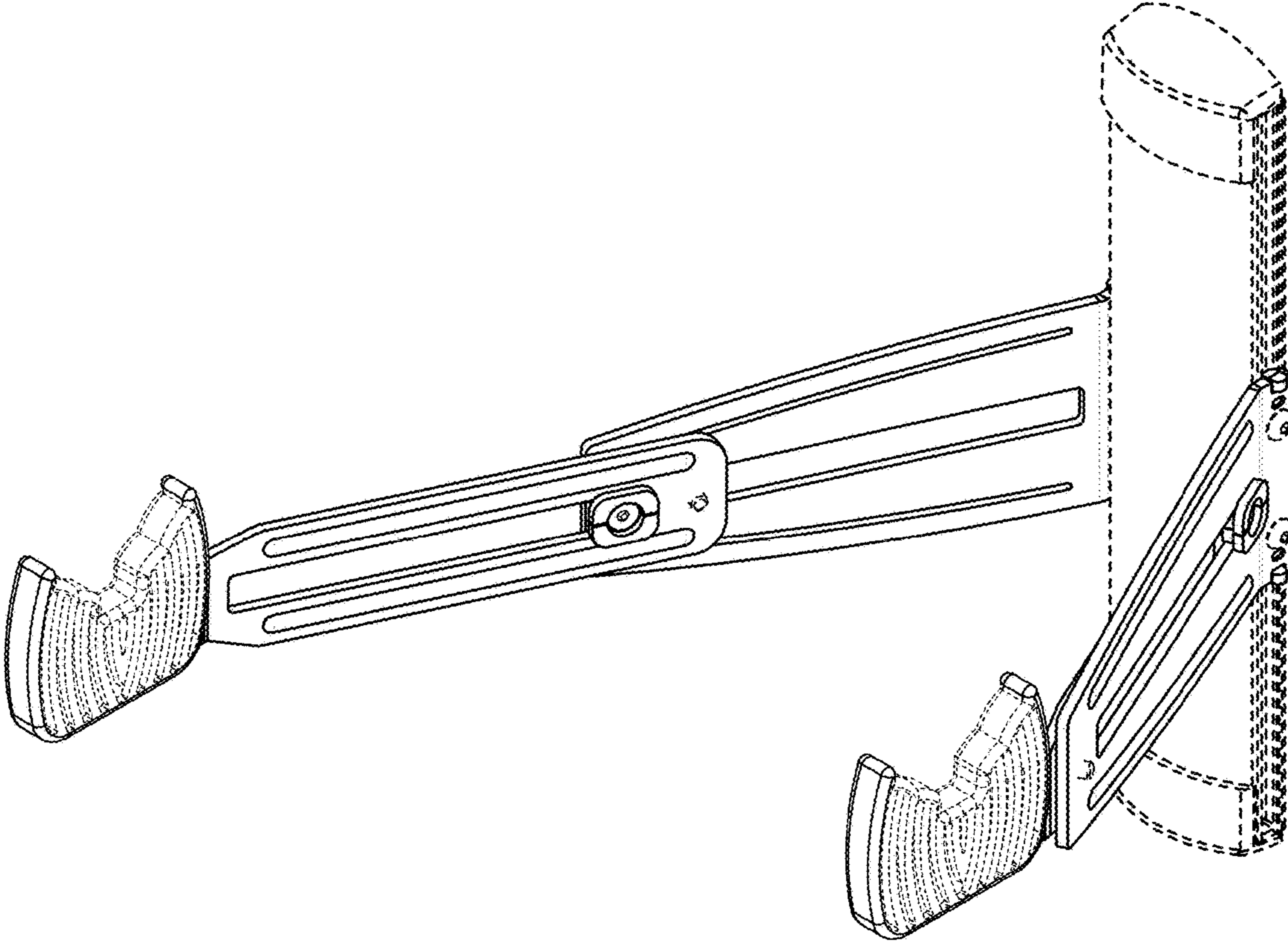


FIG. 8

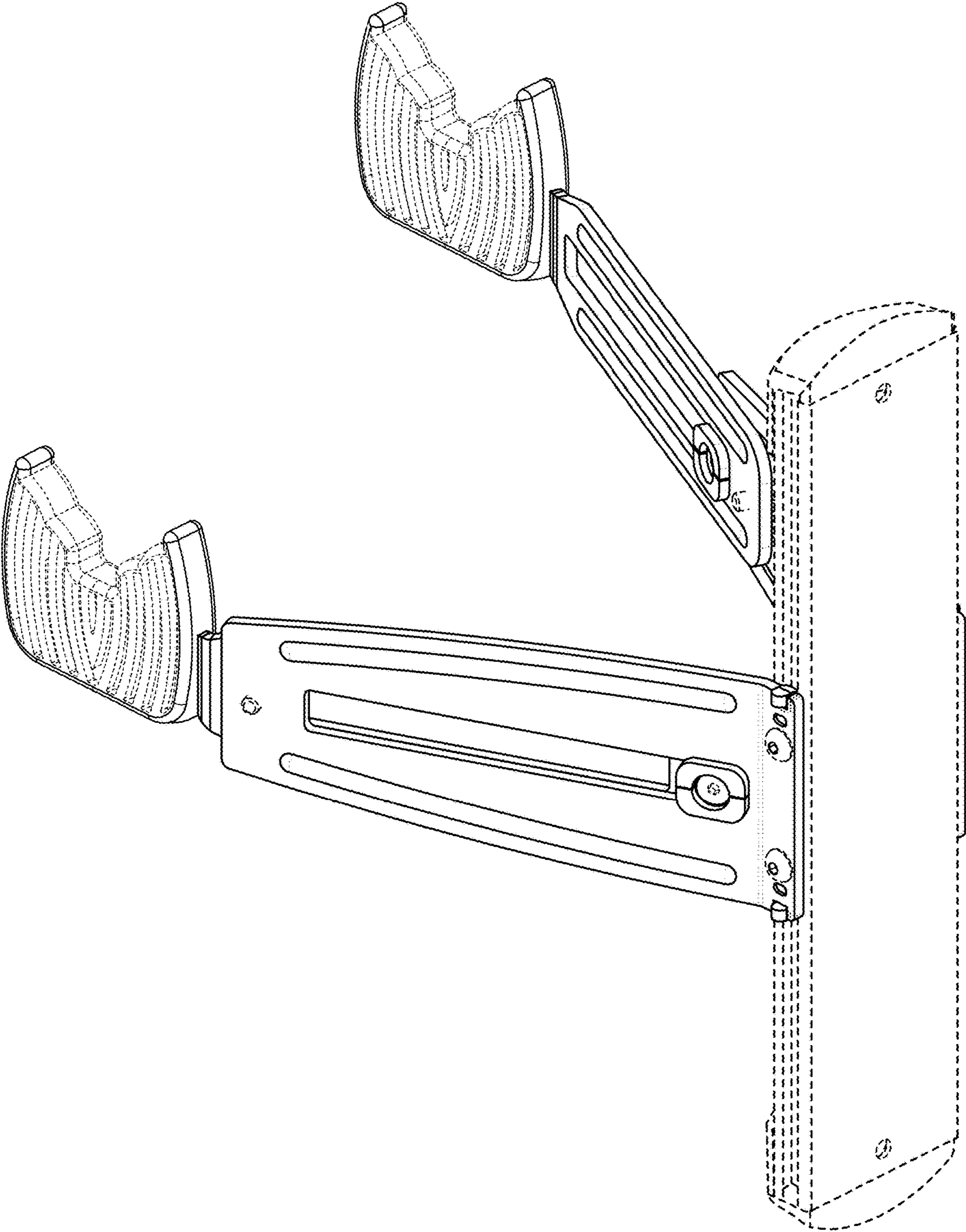


FIG. 9

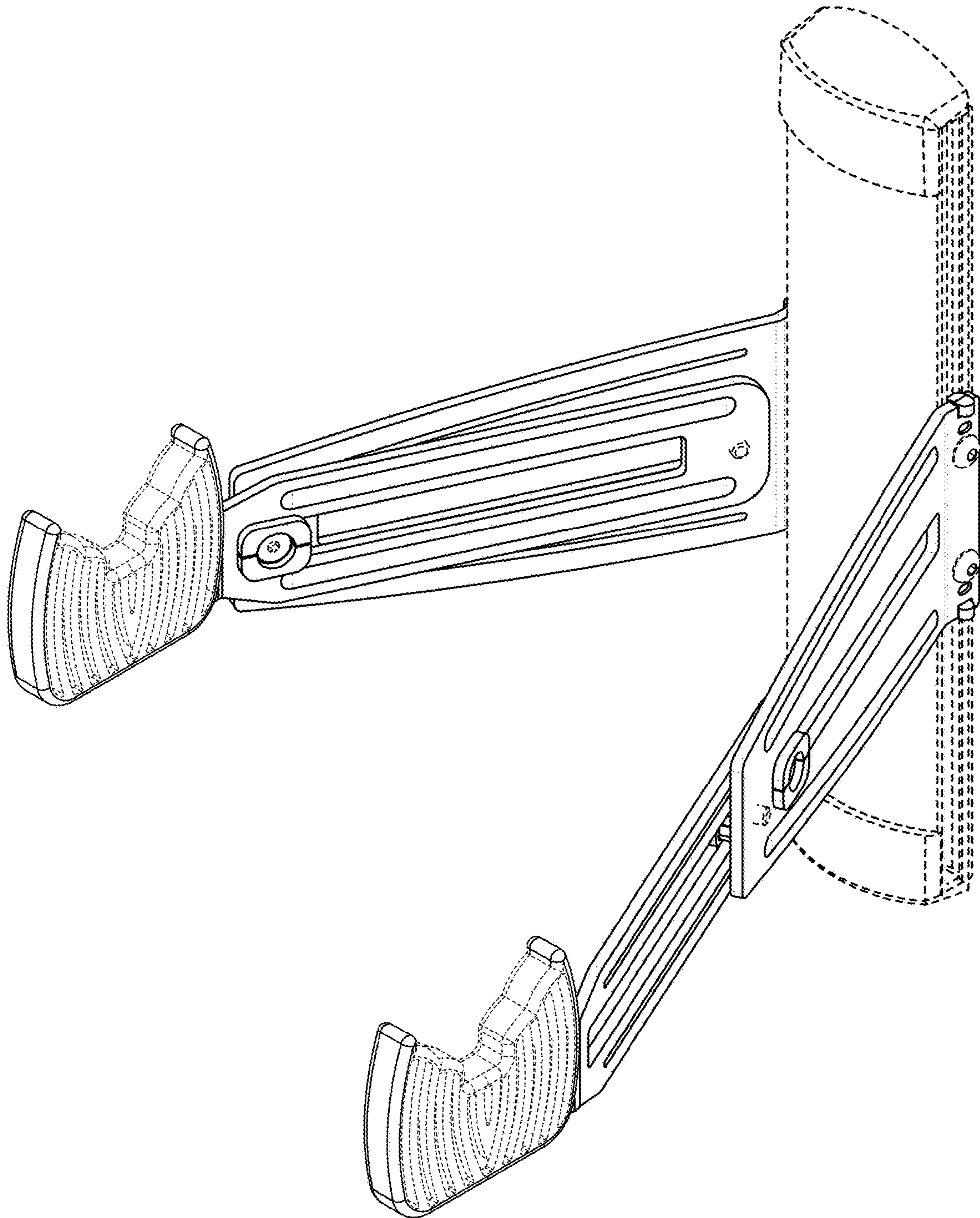


FIG. 10

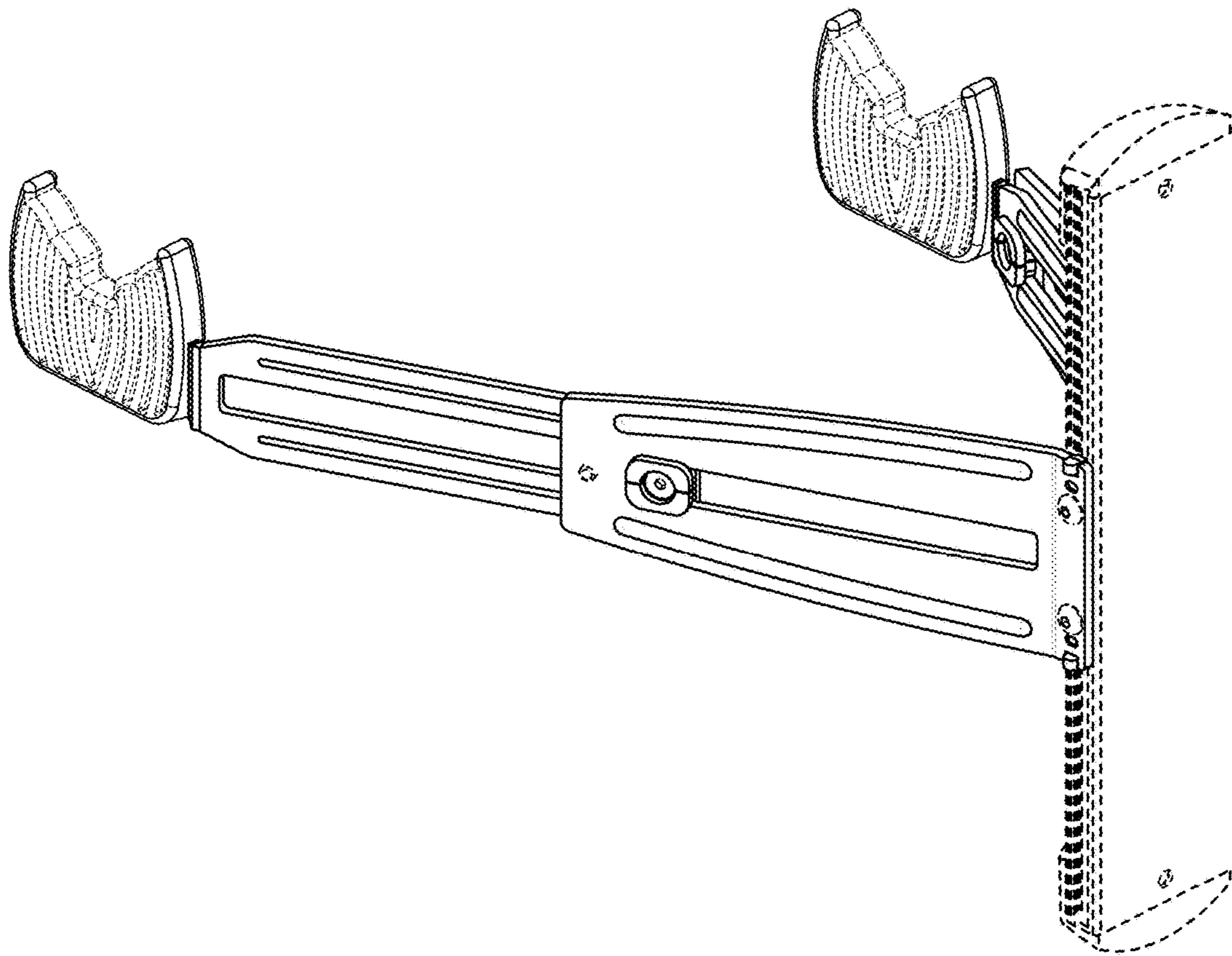


FIG. 11

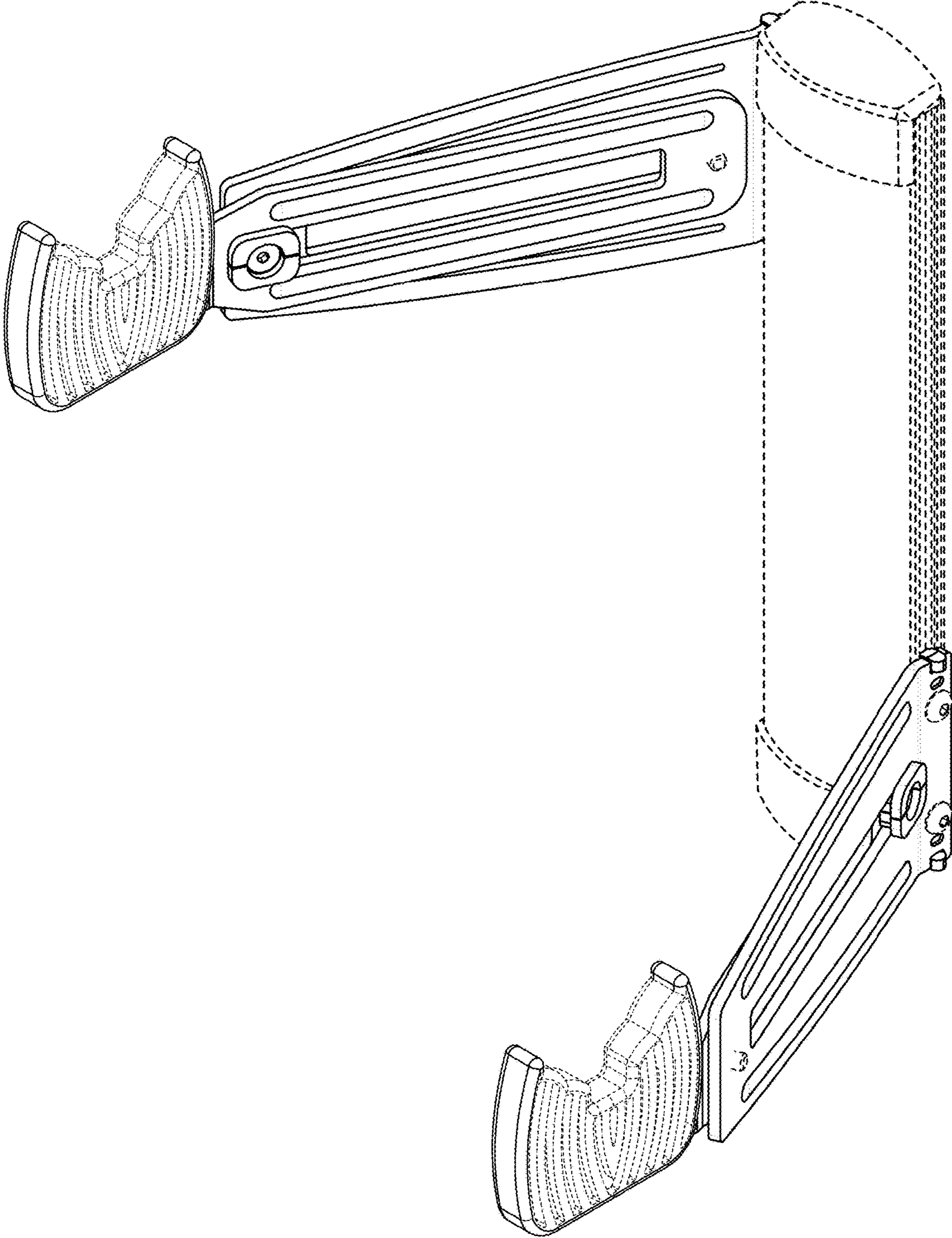


FIG. 12

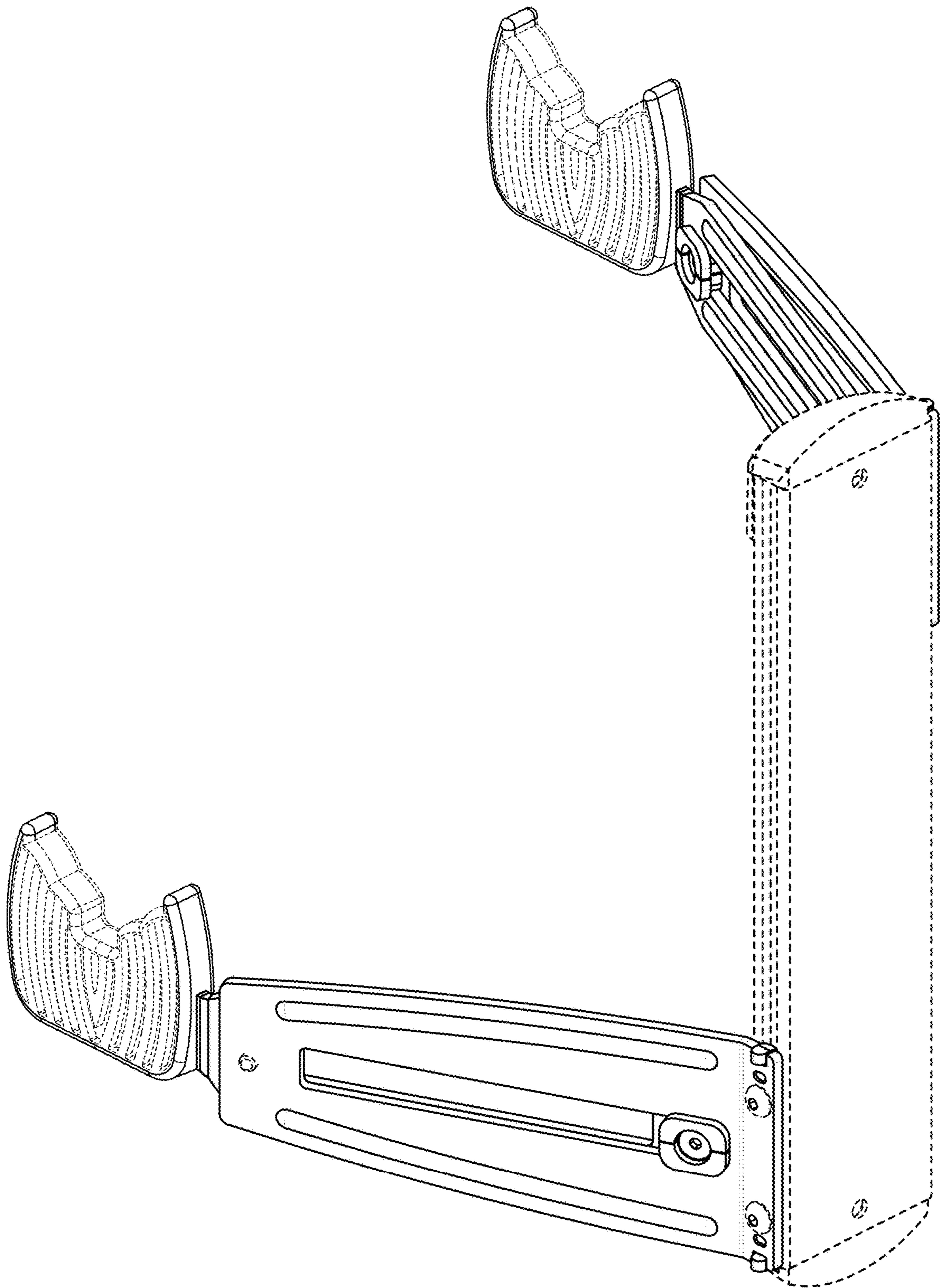


FIG. 13

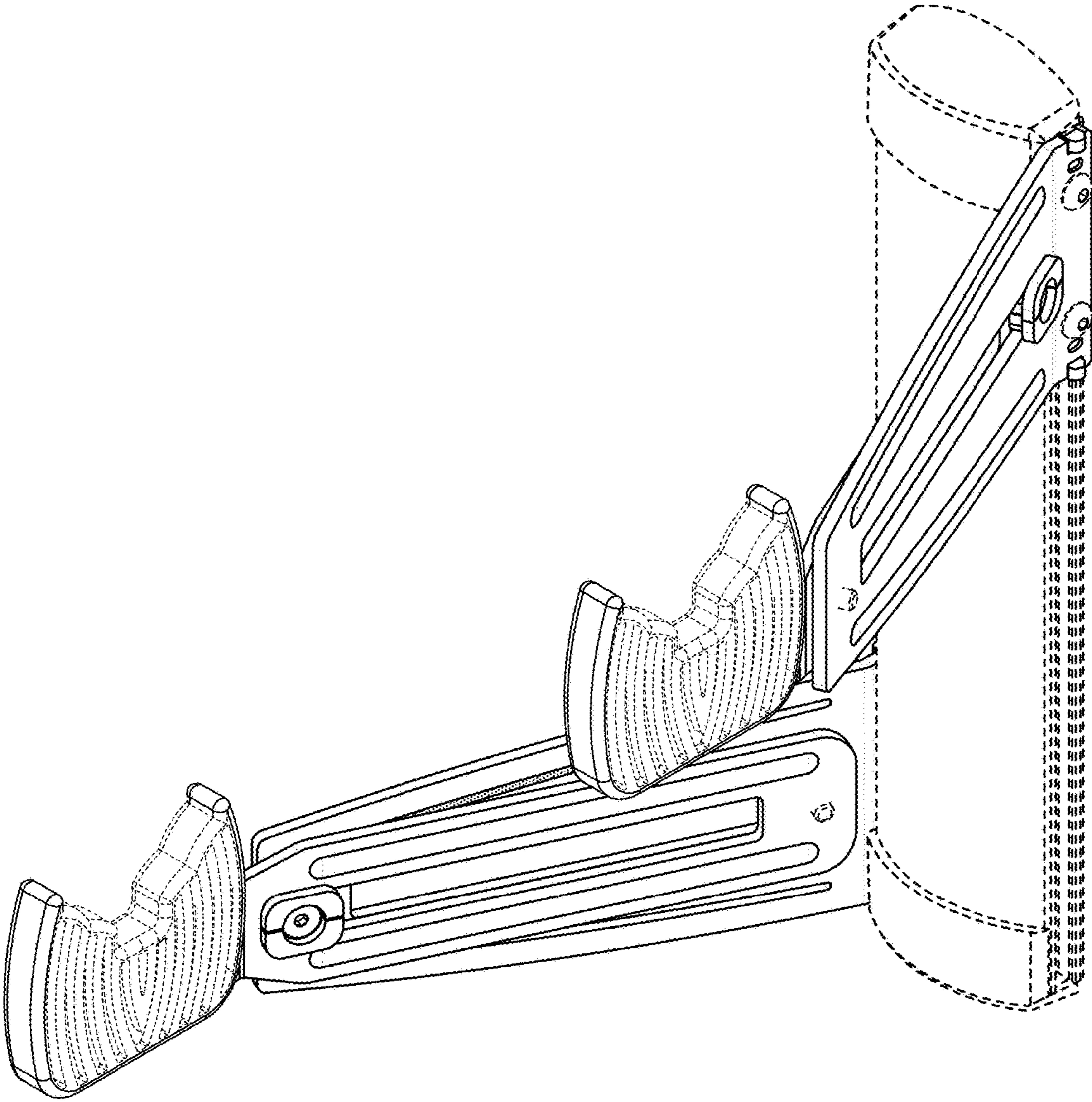


FIG. 14



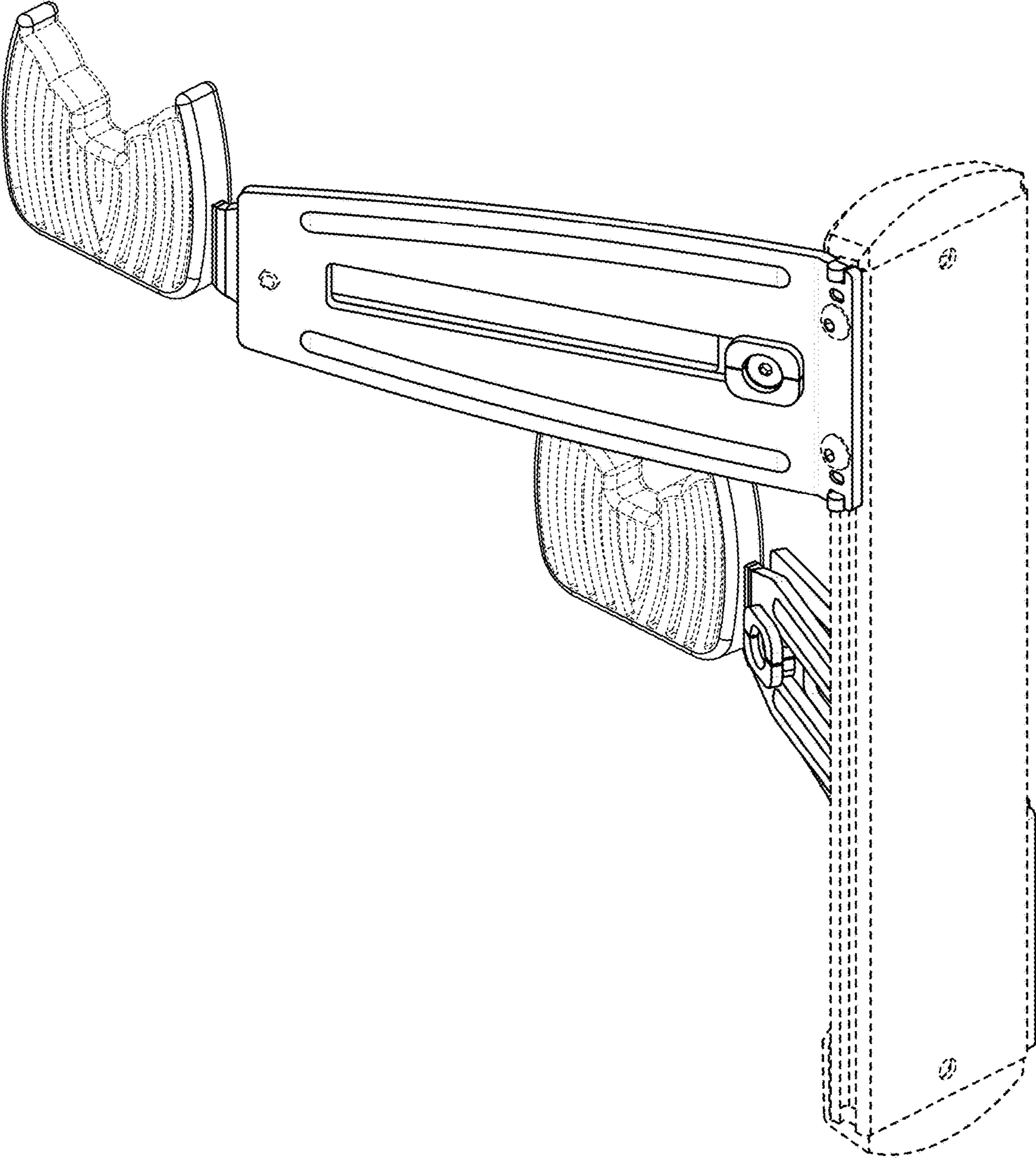


FIG. 15

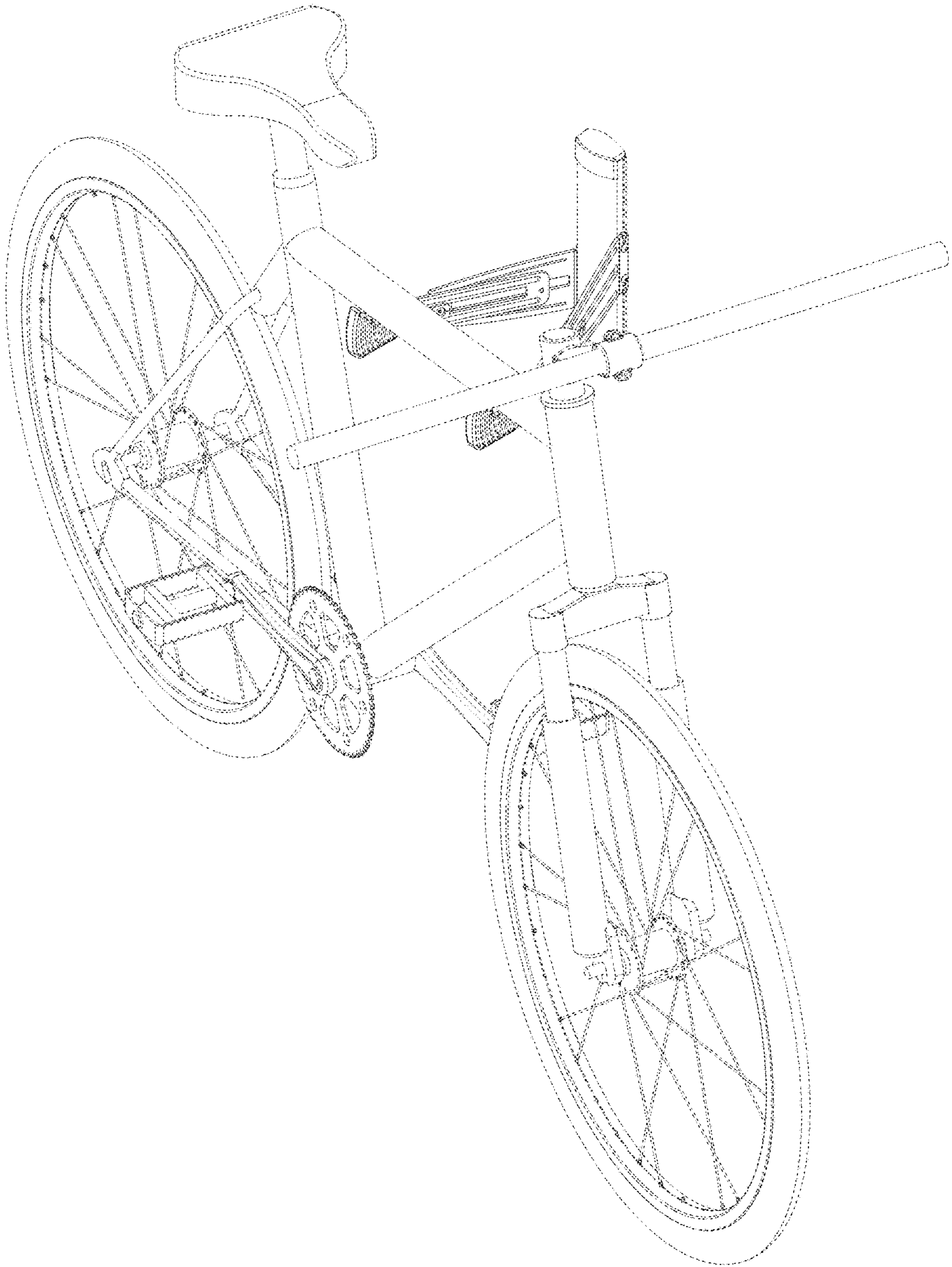


FIG. 16

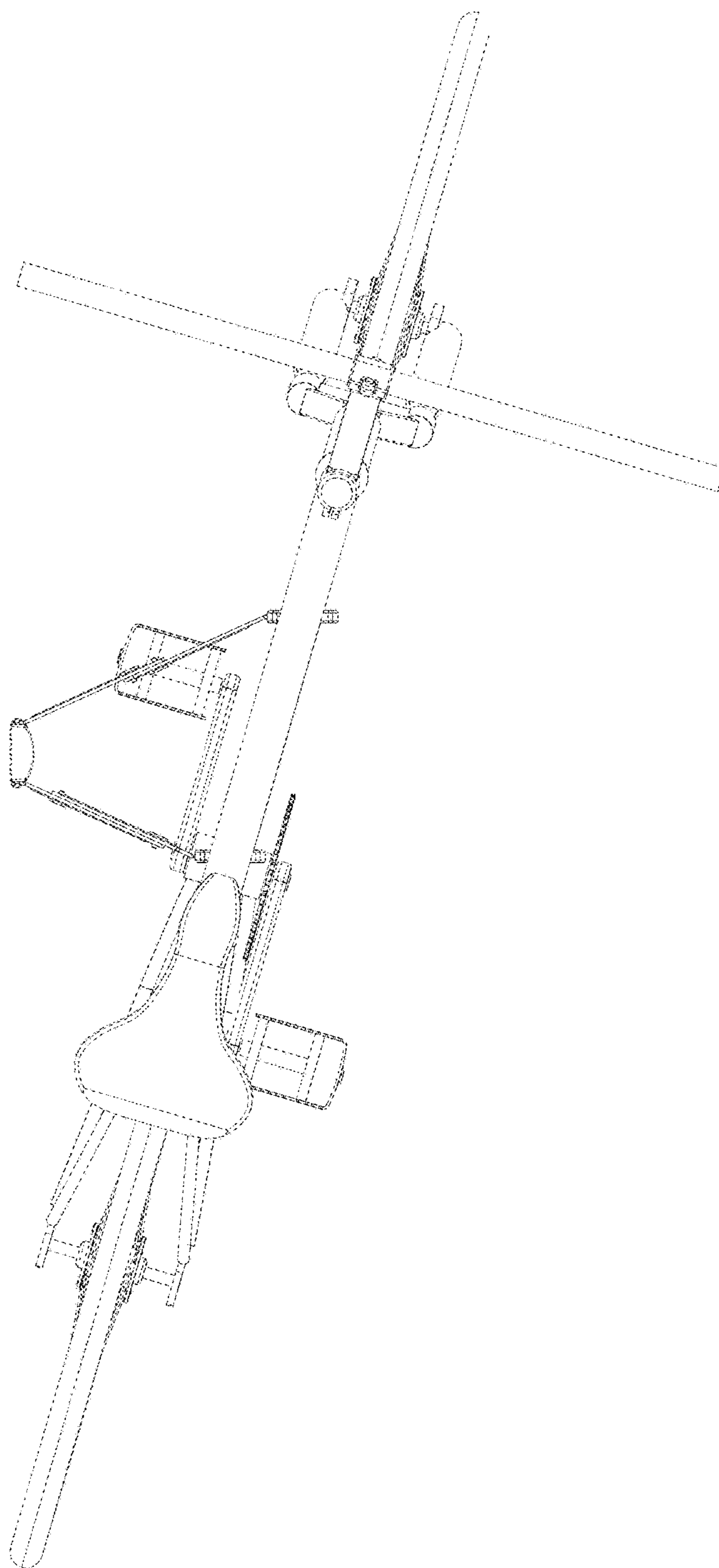


FIG. 17

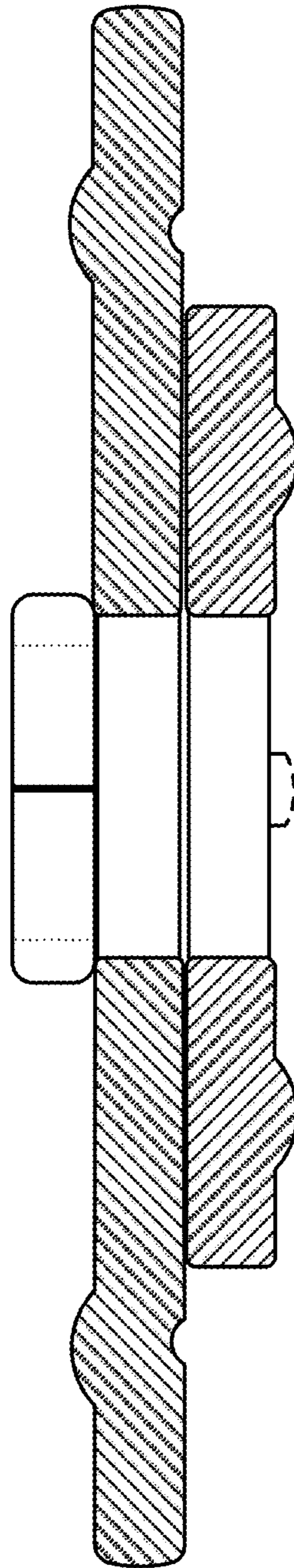


FIG. 18