



US00D780638S

(12) **United States Design Patent** (10) **Patent No.:** **US D780,638 S**  
**Calley et al.** (45) **Date of Patent:** **\*\* Mar. 7, 2017**

(54) **MOTORCYCLE GUARD**

(71) Applicants: **Jason Calley**, Kingwood, TX (US);  
**Mikael Smith**, Kingwood, TX (US)

(72) Inventors: **Jason Calley**, Kingwood, TX (US);  
**Mikael Smith**, Kingwood, TX (US)

6,419,039 B1 7/2002 Wagner  
6,554,715 B1 \* 4/2003 Gernstein ..... A63G 21/18  
472/117  
D483,710 S \* 12/2003 James ..... D12/194  
D491,112 S 6/2004 Francis et al.  
6,837,509 B2 1/2005 Welch et al.  
D510,059 S \* 9/2005 Hickman ..... D12/117  
D518,760 S \* 4/2006 Johnson ..... D12/126  
D523,787 S \* 6/2006 Johnson ..... D12/126  
D527,692 S \* 9/2006 Yoshimatsu ..... D12/118  
7,144,030 B2 12/2006 Buell et al.  
D575,682 S \* 8/2008 Norment ..... D12/126  
D591,207 S \* 4/2009 Madden ..... D12/117  
7,637,520 B2 12/2009 Madden

(\*\*) Term: **15 Years**

(21) Appl. No.: **29/529,397**

(22) Filed: **Jun. 5, 2015**

(51) **LOC (10) Cl.** ..... **12-11**

(52) **U.S. Cl.**  
USPC ..... **D12/114**

(58) **Field of Classification Search**  
USPC ..... D12/114, 117, 118, 123, 126, 127, 194,  
D12/110; D15/5; D21/819, 821  
CPC ..... B62J 27/00; B62J 23/00; B62J 17/00;  
B62K 25/02; B62K 21/02  
See application file for complete search history.

(Continued)

*Primary Examiner* — George D Kirschbaum  
*Assistant Examiner* — Clese Moore, Jr.  
(74) *Attorney, Agent, or Firm* — Buche & Associates,  
P.C.; John K. Buche; Scott D. Compton

(57) **CLAIM**

The ornamental design for a motorcycle guard, as shown and described.

(56) **References Cited**

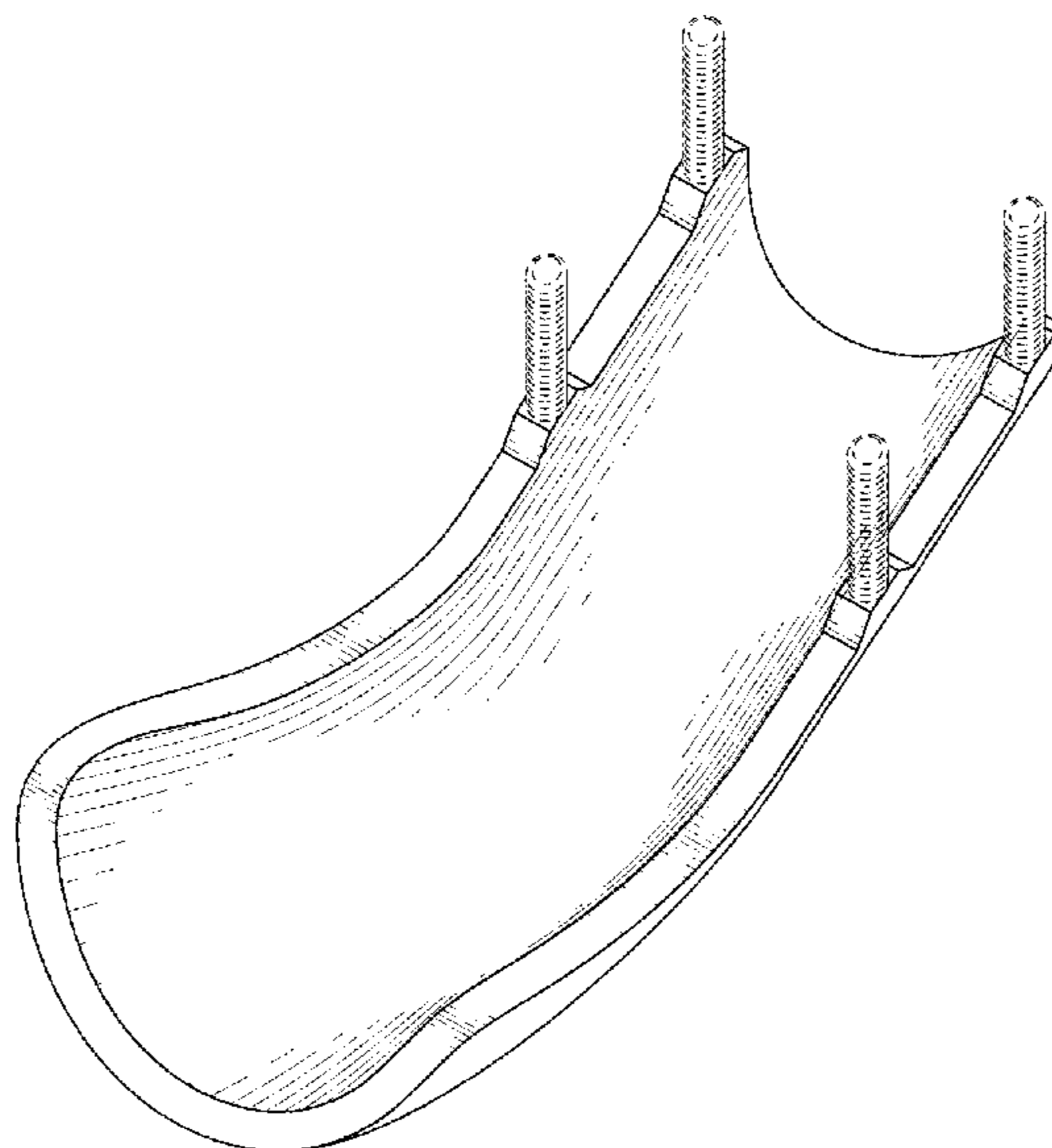
U.S. PATENT DOCUMENTS

D27,105 S \* 5/1897 Meilink ..... D12/117  
629,667 A 7/1899 Denbigh  
3,762,982 A 10/1973 Whittington  
4,105,220 A 8/1978 Pacific  
4,138,132 A 2/1979 Doyle  
D313,774 S 1/1991 Hauer  
5,183,281 A 2/1993 Stephens  
D340,432 S \* 10/1993 Osborne ..... 74/551.8  
D341,343 S 11/1993 Netz  
D350,921 S \* 9/1994 Carroll ..... D12/114  
5,397,146 A 3/1995 Fischer  
5,687,773 A 11/1997 Ryan et al.  
D409,119 S \* 5/1999 Fervoy ..... D12/126  
6,186,902 B1 \* 2/2001 Briggs ..... A63G 21/18  
472/117

**DESCRIPTION**

FIG. 1 is a perspective view of a motorcycle guard showing my new design;  
FIG. 2 is a top view thereof;  
FIG. 3 is a bottom view thereof;  
FIG. 4 is a right side view thereof;  
FIG. 5 is a left side view thereof;  
FIG. 6 is a front view thereof;  
FIG. 7 is a back view thereof;  
FIG. 8 is an environmental perspective view thereof; and,  
FIG. 9 is an environmental perspective view thereof.  
The broken lines shown illustrate portions of the motorcycle guard and environment that form no part of the claimed design.

**1 Claim, 5 Drawing Sheets**



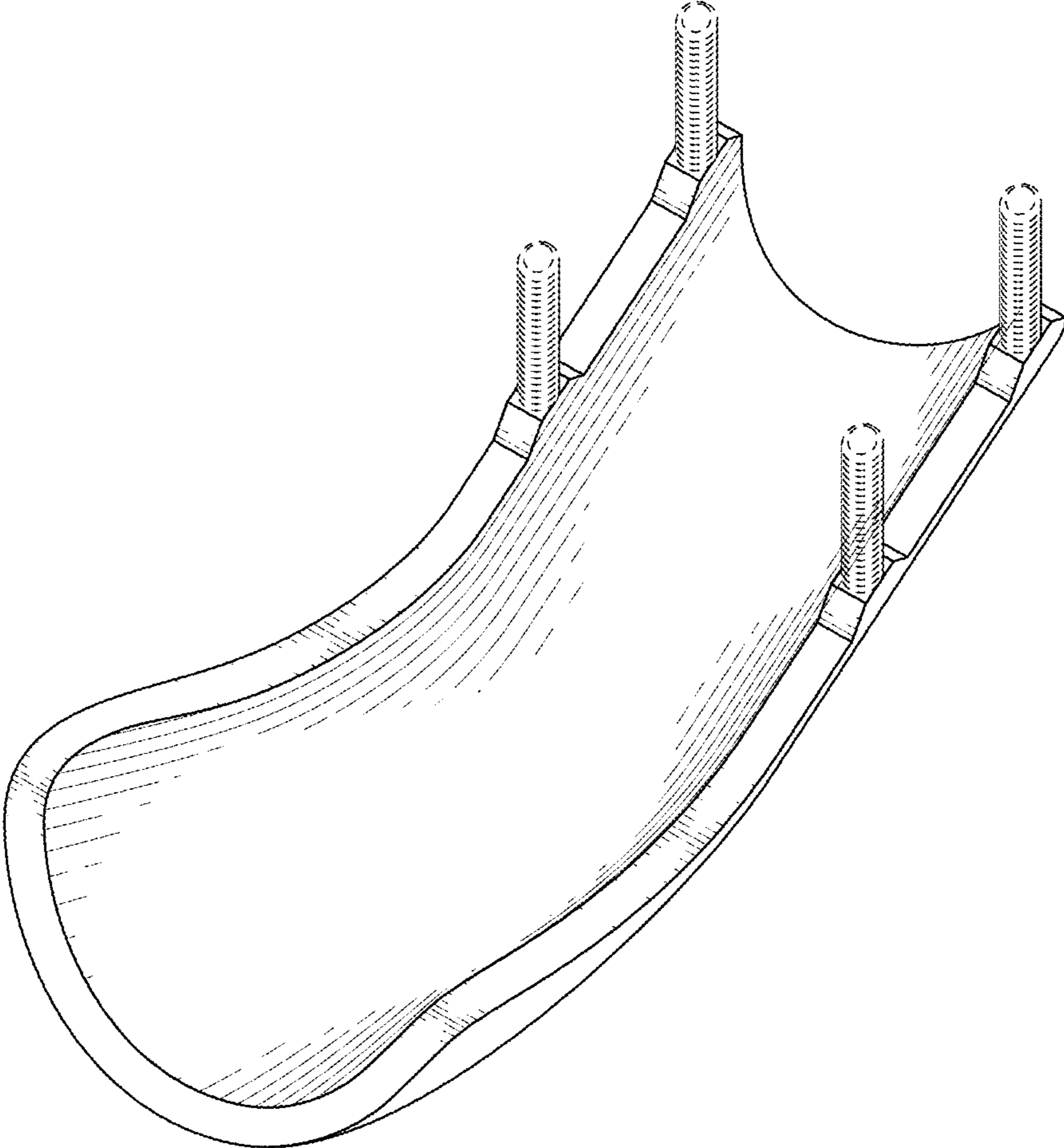
(56)

**References Cited**

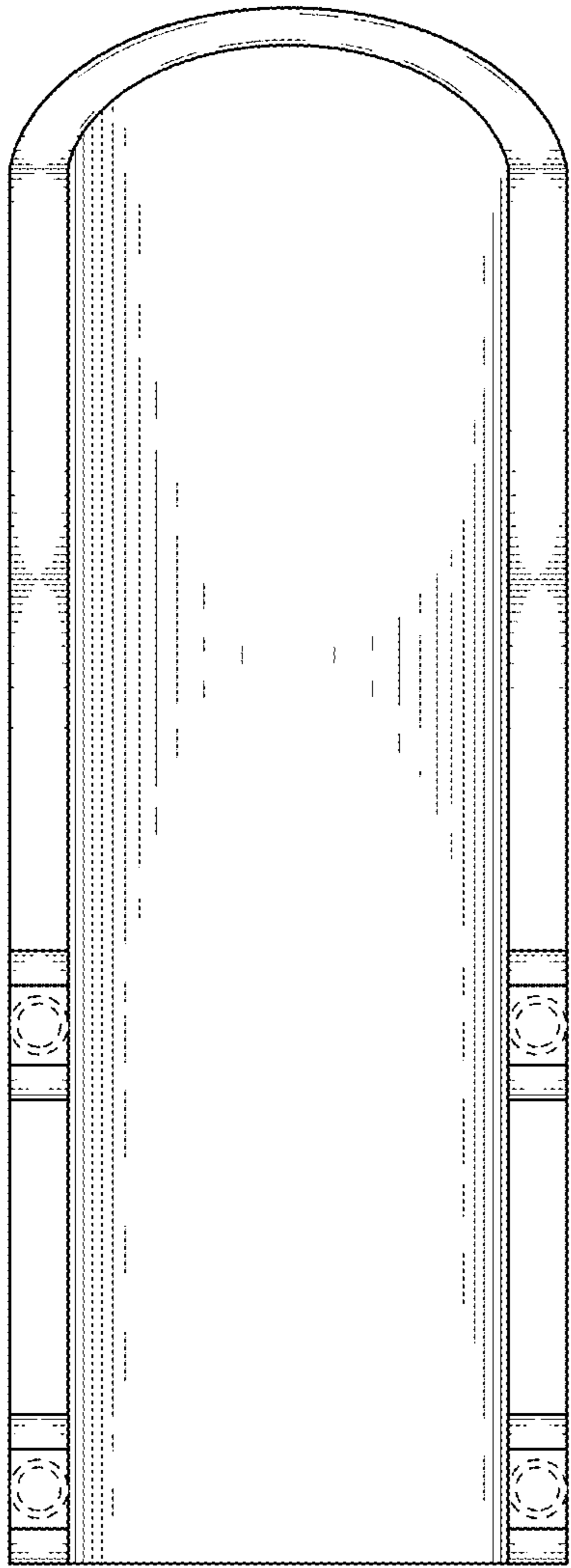
U.S. PATENT DOCUMENTS

D613,655	S *	4/2010	Burkhart .....	D12/194
D626,049	S *	10/2010	Emler .....	D12/194
2004/0046359	A1	3/2004	Welch et al.	
2012/0091686	A1	4/2012	Hutchinson	
2012/0133115	A1	5/2012	Roziere et al.	
2014/0174581	A1 *	6/2014	Shimomura .....	B60K 13/04 138/103
2015/0145232	A1 *	5/2015	Carreira .....	B62K 21/02 280/304.3
2016/0166942	A1 *	6/2016	Fisher .....	A63G 21/18 472/88

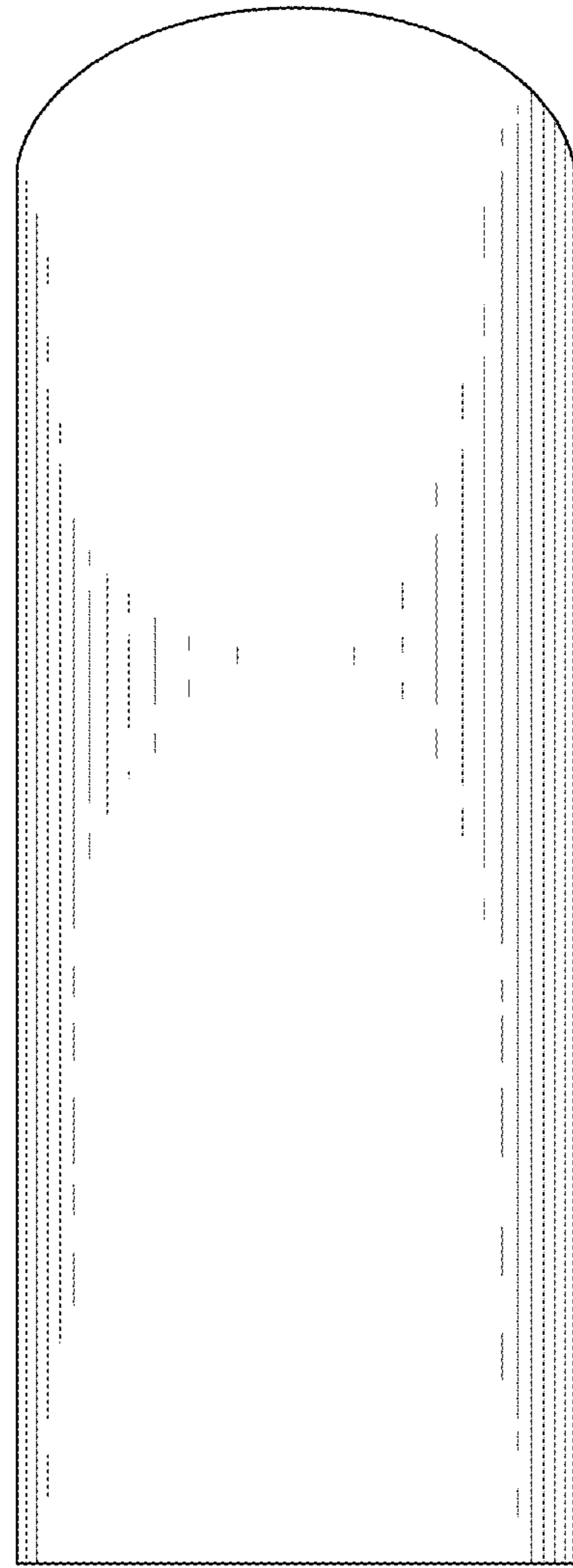
\* cited by examiner



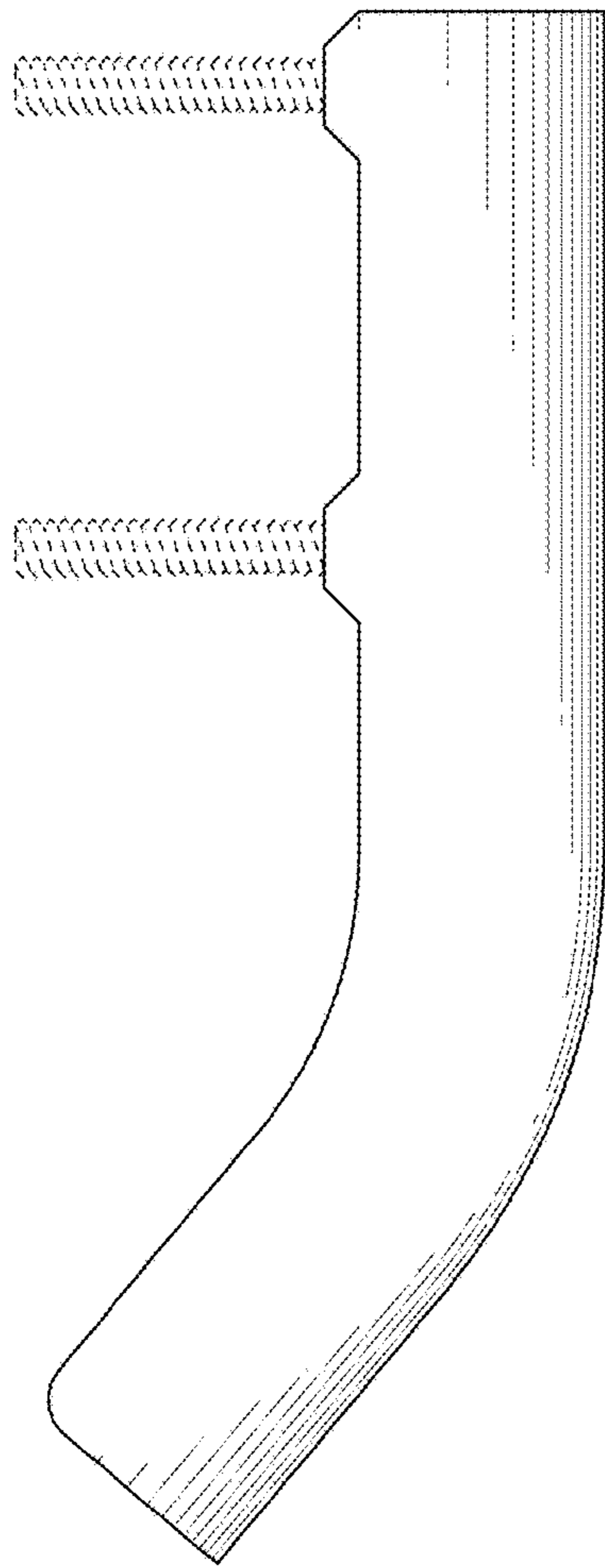
**FIG. 1**



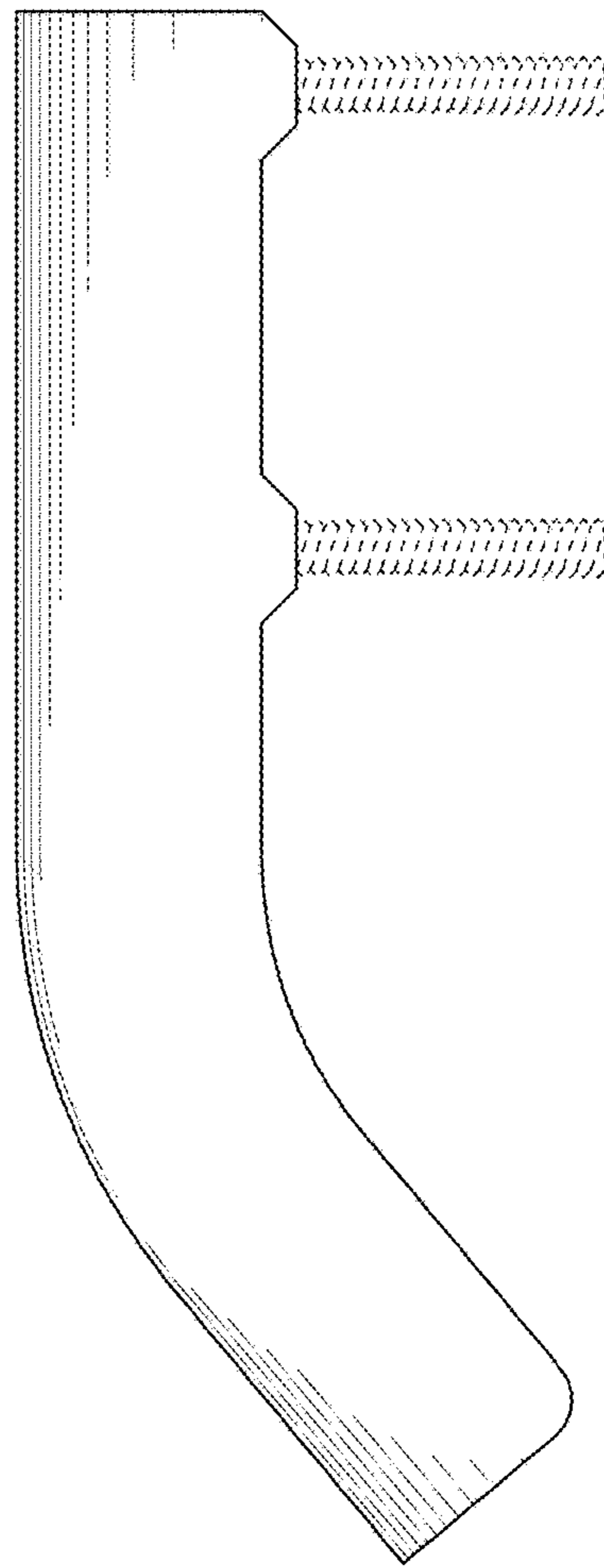
**FIG. 2**



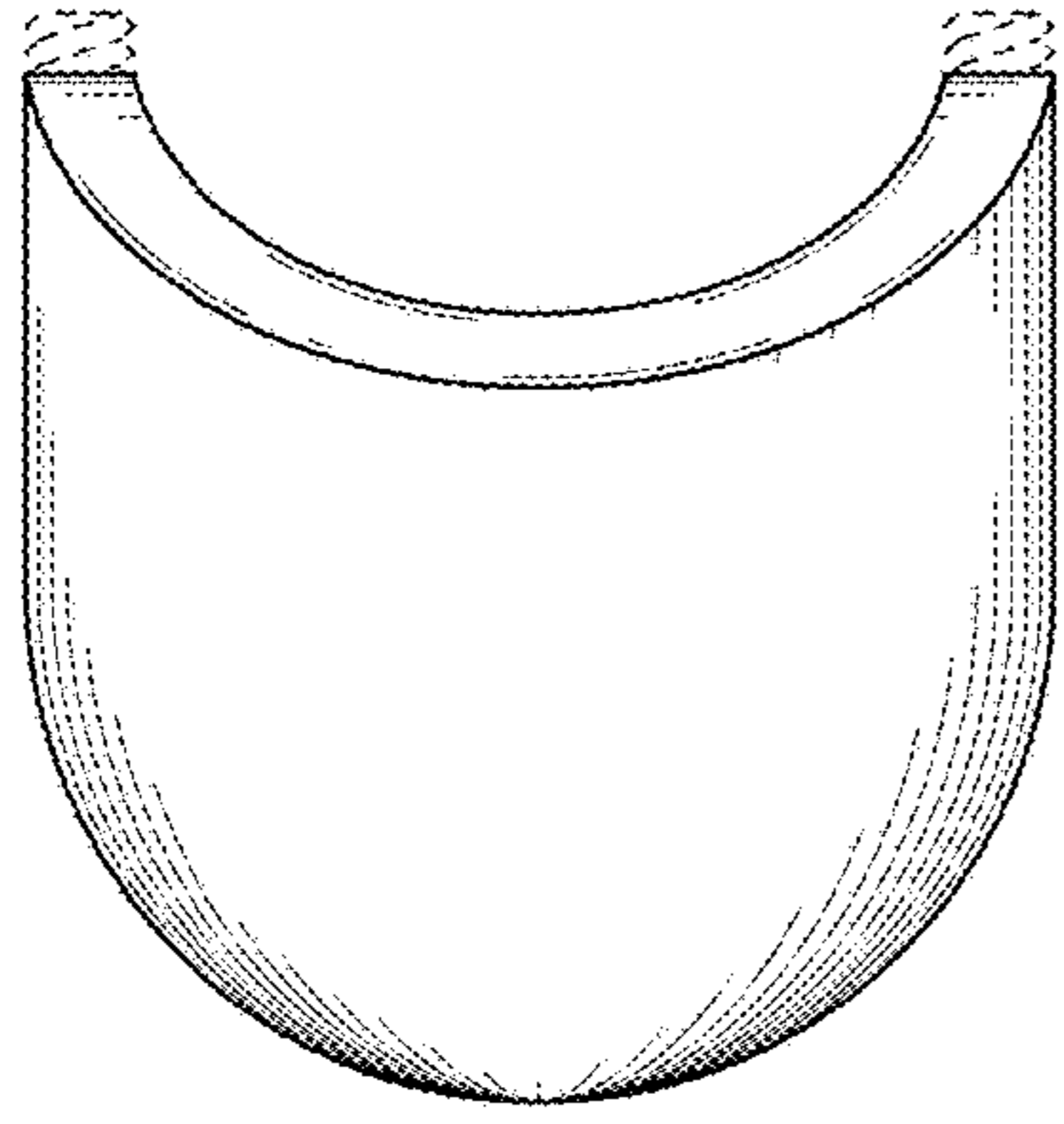
**FIG. 3**



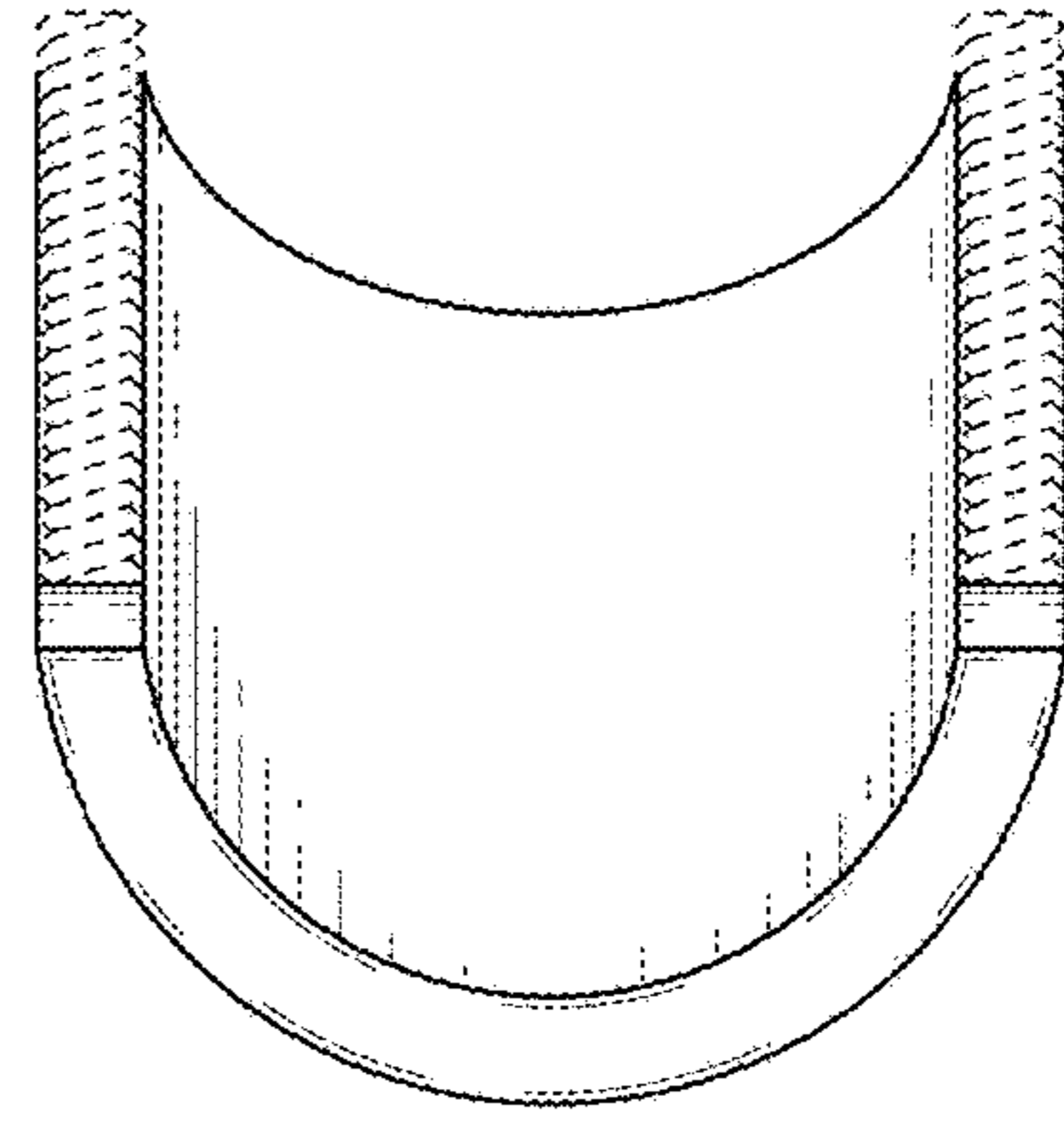
**FIG. 4**



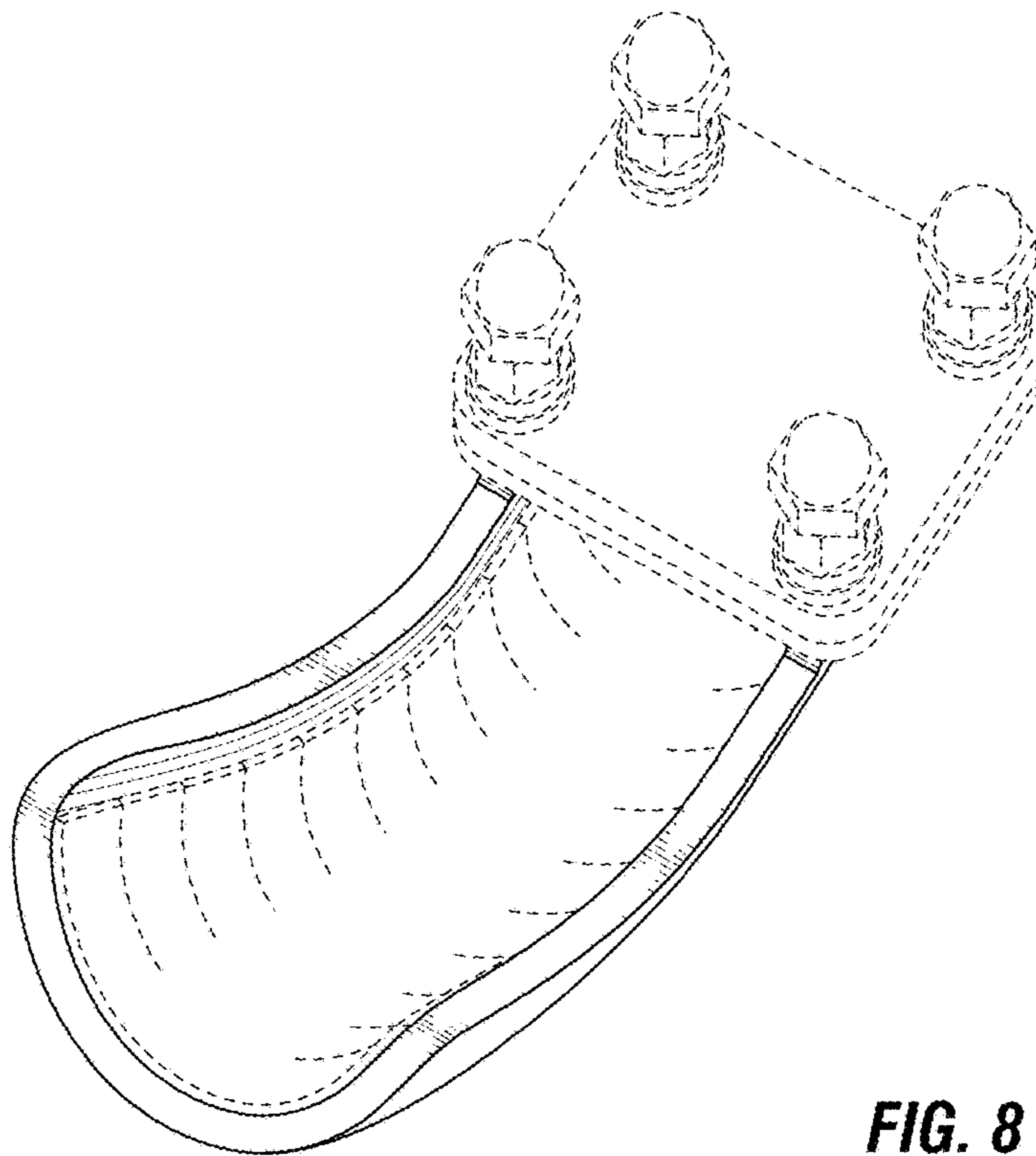
**FIG. 5**



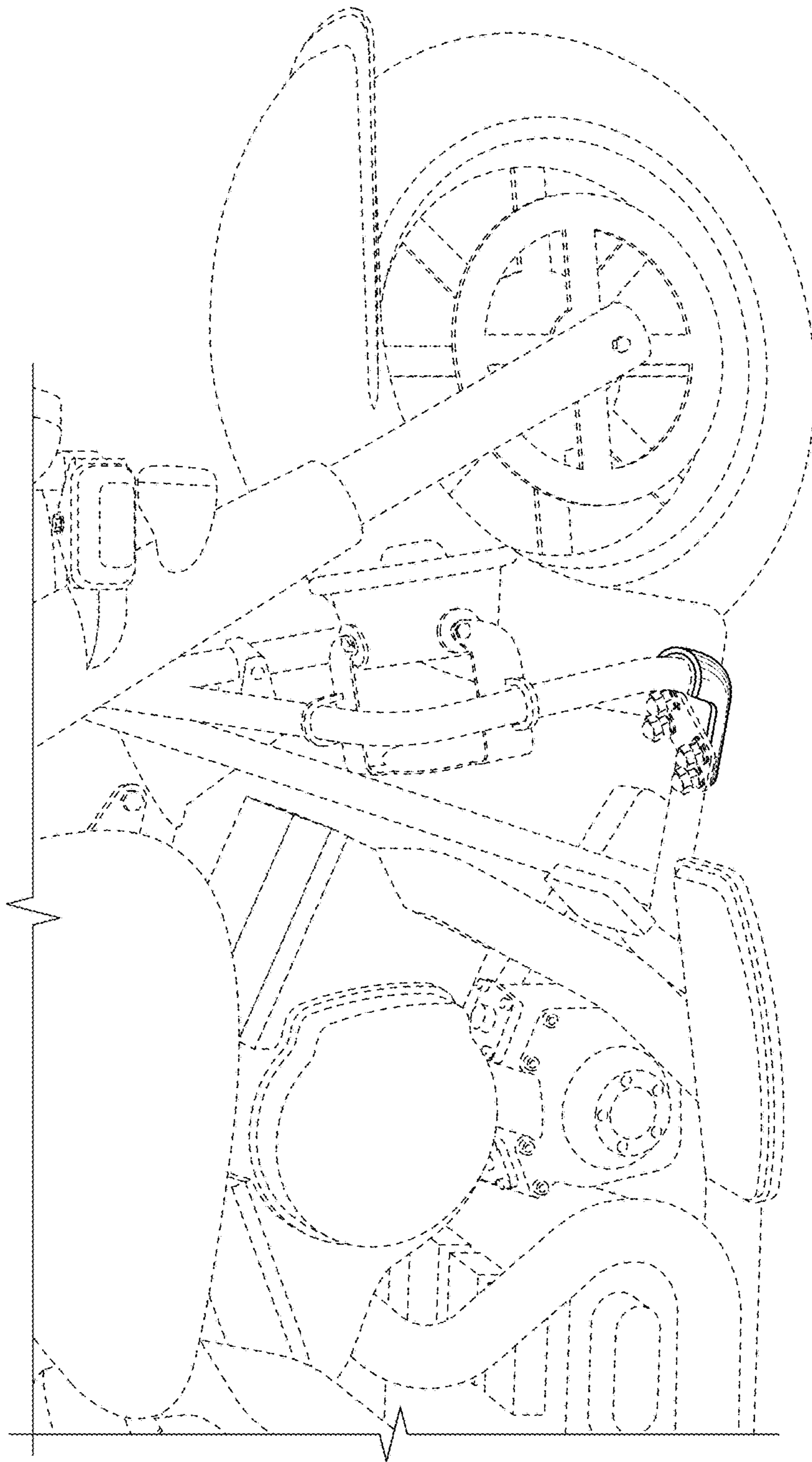
**FIG. 6**



**FIG. 7**



**FIG. 8**



**FIG. 9**