



US00D780637S

(12) **United States Design Patent**  
**Shao**

(10) **Patent No.:** **US D780,637 S**  
(45) **Date of Patent:** **\*\* Mar. 7, 2017**

(54) **FOLDABLE ELECTRIC BICYCLE**

(71) Applicant: **Shenzhen Ensimai New Energy Co., Ltd.**, Shenzhen (CN)

(72) Inventor: **Jin Shao**, Shenzhen (CN)

(73) Assignee: **SHENZHEN ENSIMAI NEW ENERGY CO., LTD.**, Shenzhen (CN)

(\*\*) Term: **15 Years**

(21) Appl. No.: **29/548,188**

(22) Filed: **Dec. 10, 2015**

(30) **Foreign Application Priority Data**

Sep. 6, 2015 (CN) ..... 2015 3 0339822

(51) **LOC (10) Cl.** ..... **12-11**

(52) **U.S. Cl.**  
USPC ..... **D12/111**

(58) **Field of Classification Search**  
USPC ..... D12/111, 117; D21/419, 424;  
280/274-280, 281.1, 283-288,  
280/288.1-288.4

CPC ..... B62K 3/00; B62K 3/02; B62K 3/06;  
B62K 3/08; B62K 9/00; B62K  
15/00; B62K 15/006; B62K 15/008; B62K  
17/00

See application file for complete search history.

(56) **References Cited**

**U.S. PATENT DOCUMENTS**

D466,839 S \* 12/2002 Ou ..... D12/110  
6,588,787 B2 \* 7/2003 Ou ..... B62K 15/008  
180/220  
D498,438 S \* 11/2004 Ying ..... D12/111  
D503,362 S \* 3/2005 Zhu ..... D12/111  
D620,400 S \* 7/2010 Haller ..... D12/111  
D650,724 S \* 12/2011 Chiang ..... D12/111

D685,683 S \* 7/2013 Shaw ..... D12/111  
D726,592 S \* 4/2015 Zhang ..... D12/107  
D727,215 S \* 4/2015 Yang ..... D12/111  
D746,924 S \* 1/2016 Delgatty ..... D21/423  
D750,711 S \* 3/2016 Delgatty ..... D21/423  
2012/0043148 A1 \* 2/2012 Brady ..... B60L 3/0069  
180/206.5  
2015/0060176 A1 \* 3/2015 Paick ..... B62M 6/60  
180/208

**OTHER PUBLICATIONS**

Chapa, Jorge. "Grasshopper Folding Bike Generates Pedal Power." Inhabitat., Dec. 9, 2008 [online], [retrieved on Aug. 18, 2016]. Retrieved from the Internet <URL: <http://inhabitat.com/grasshopper-bike-by-david-goncalves/attachment/17415/>>.\*

(Continued)

*Primary Examiner* — Darlington Ly

(74) *Attorney, Agent, or Firm* — Symbus Law Group, LLC; Clifford D. Hyra

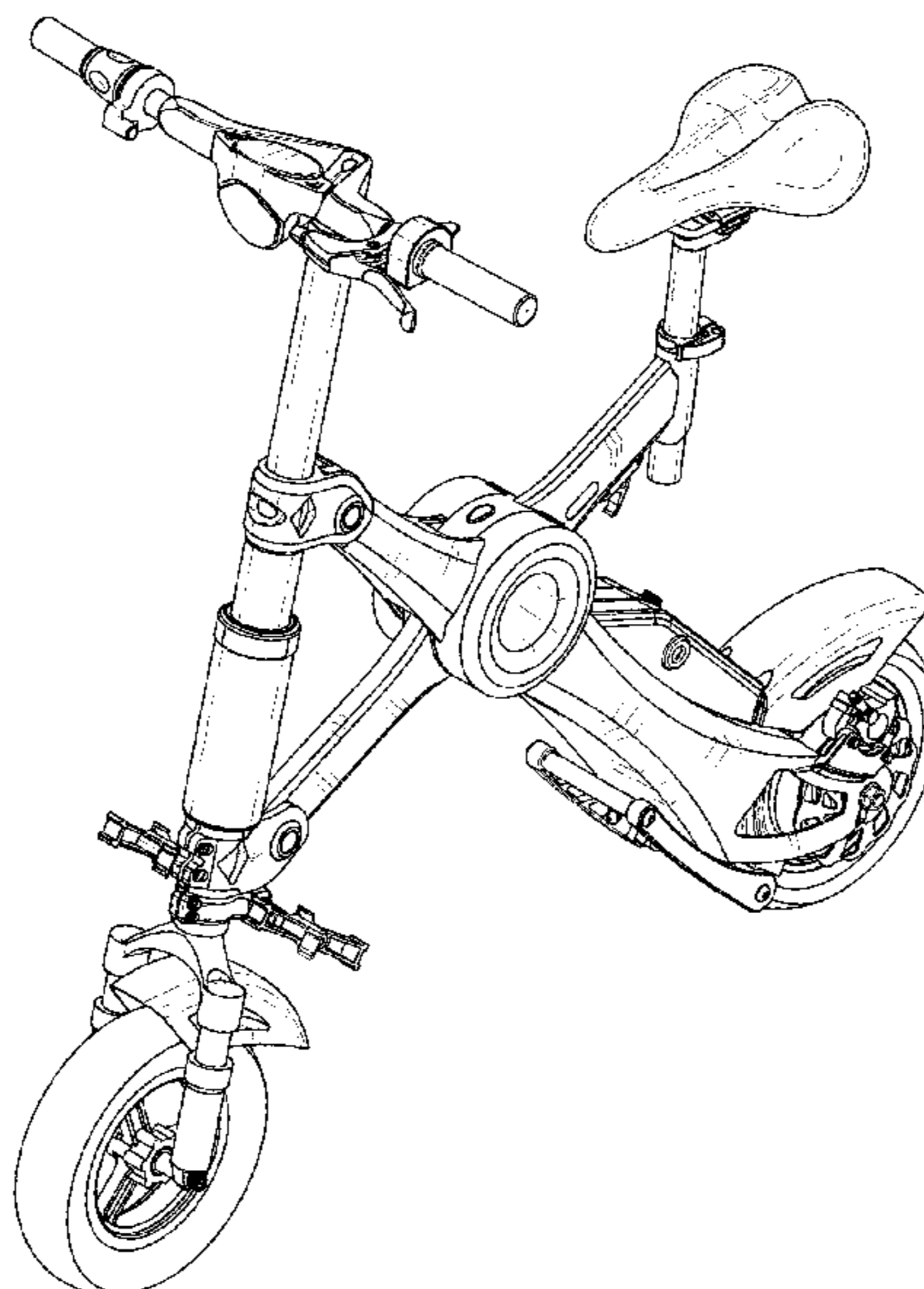
(57) **CLAIM**

The ornamental design for a foldable electric bicycle, as shown and described.

**DESCRIPTION**

FIG. 1 is a left side view of the foldable electric bicycle showing my new design;  
FIG. 2 is a right-side elevation view thereof;  
FIG. 3 is a front elevation view thereof;  
FIG. 4 is a rear elevation view thereof;  
FIG. 5 is a top plan view thereof;  
FIG. 6 is a bottom plan view thereof;  
FIG. 7 is a top, front, and left-side perspective view thereof;  
and,  
FIG. 8 is a bottom, front, and left-side perspective view thereof.

**1 Claim, 8 Drawing Sheets**



(56)

**References Cited**

OTHER PUBLICATIONS

Hall, Chris. "Gocycle electric bike." Pocket-lint., Jun. 24, 2010 [online], [retrieved on Aug. 18, 2016]. Retrieved from the Internet <URL: <http://www.pocket-lint.com/review/71876-gocycle-electric-bike-commuter-review>>.\*

Roblin, Amelia. "The Union Folding Bicycle is Convenient in Every Form." Trend Hunter., Sep. 8, 2011 [online], [retrieved on Aug. 18, 2016]. Retrieved from the Internet <URL: <http://www.trendhunter.com/trends/union-folding-bicycle>>.\*

Alter, Lloyd. "A-Bike Electric is the smallest lightest folding e-bike ever." Tree Hugger., Jul. 21, 2015 [online], [retrieved on Aug. 18, 2016]. Retrieved from the Internet <URL: <http://www.treehugger.com/bikes/-bike-electric-smallest-lightest-folding-e-bike-ever.html>>.\*

\* cited by examiner

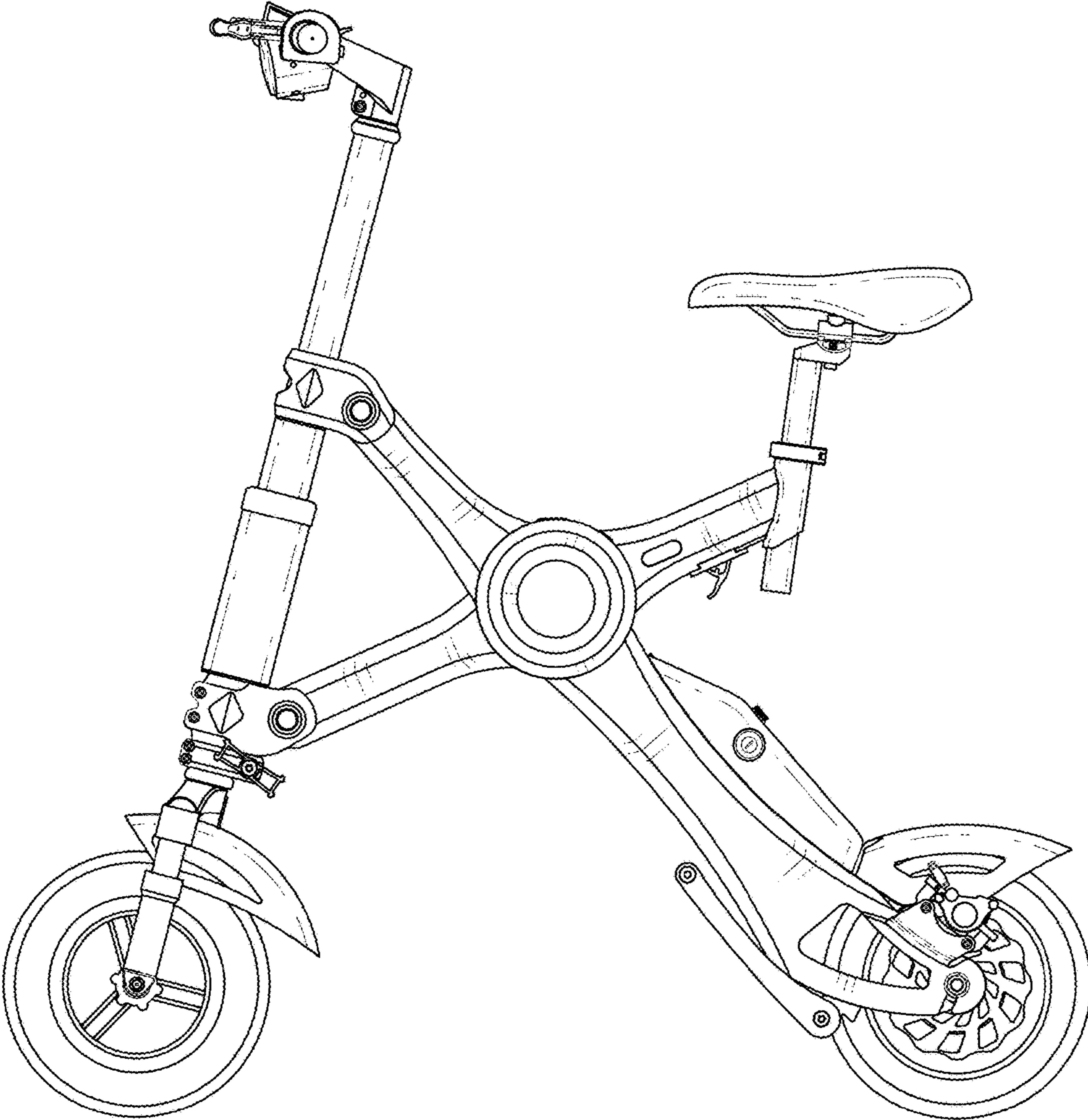


FIG. 1

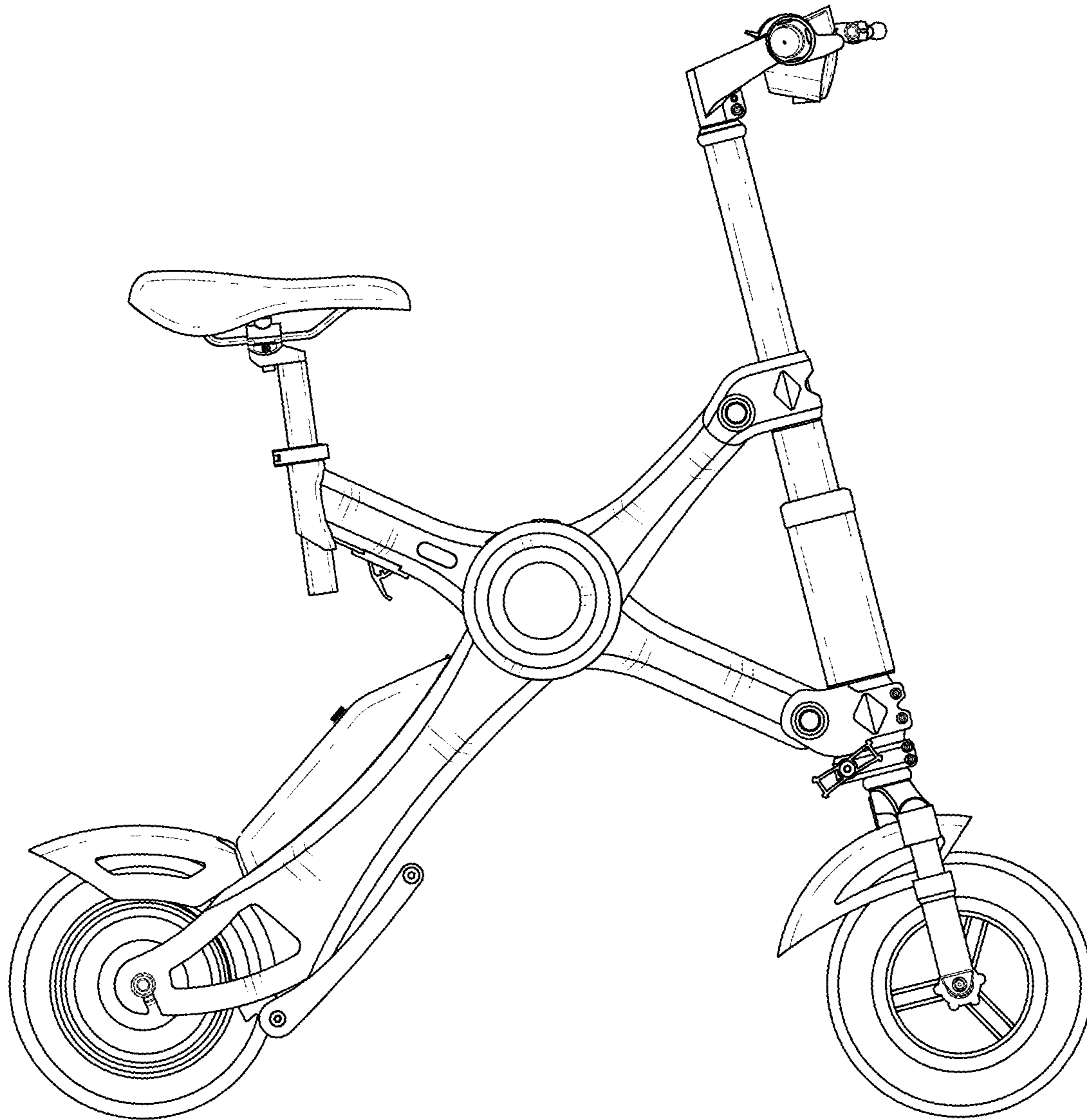


FIG. 2

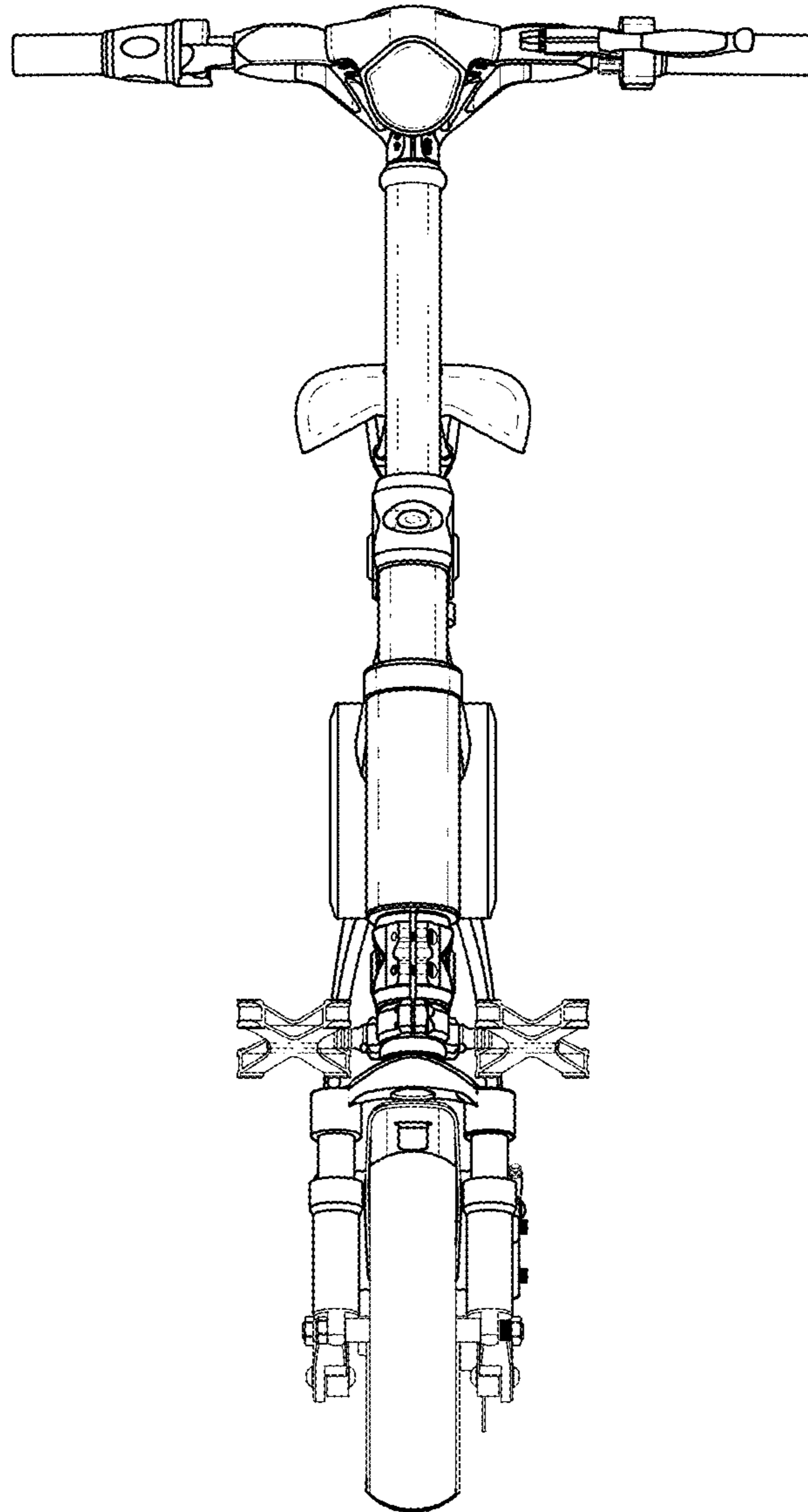


FIG. 3

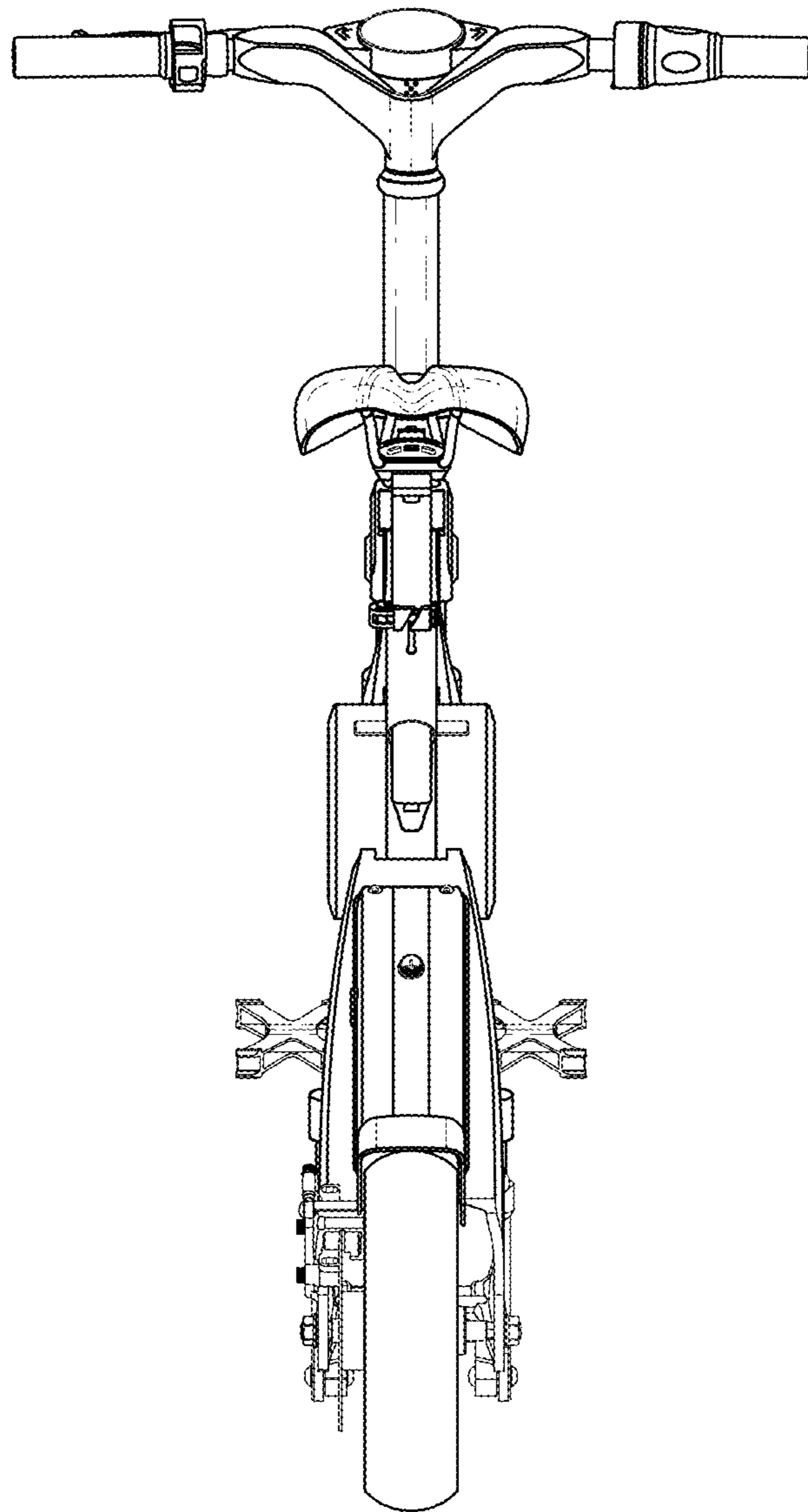
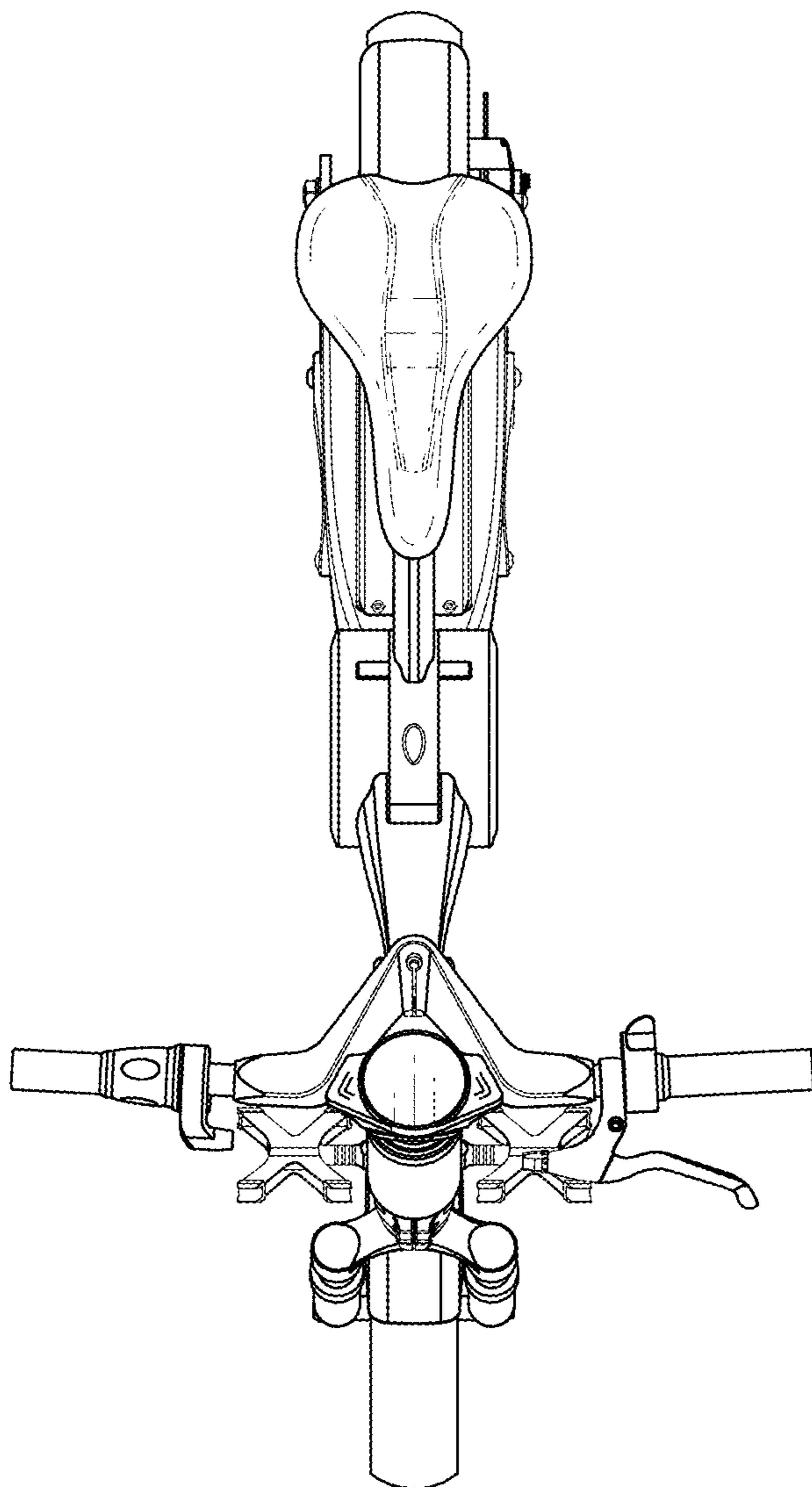


FIG. 4



*FIG. 5*

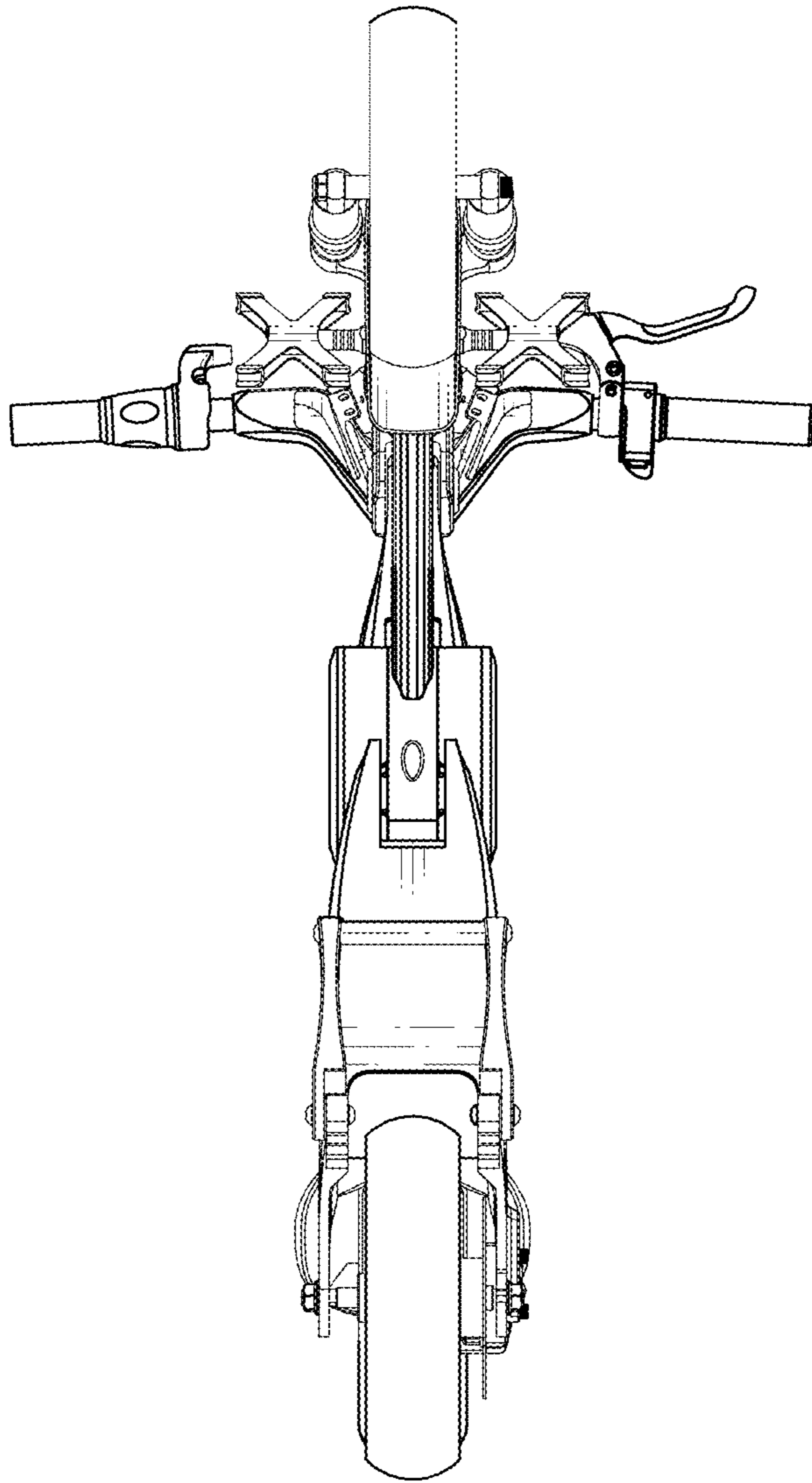


FIG. 6



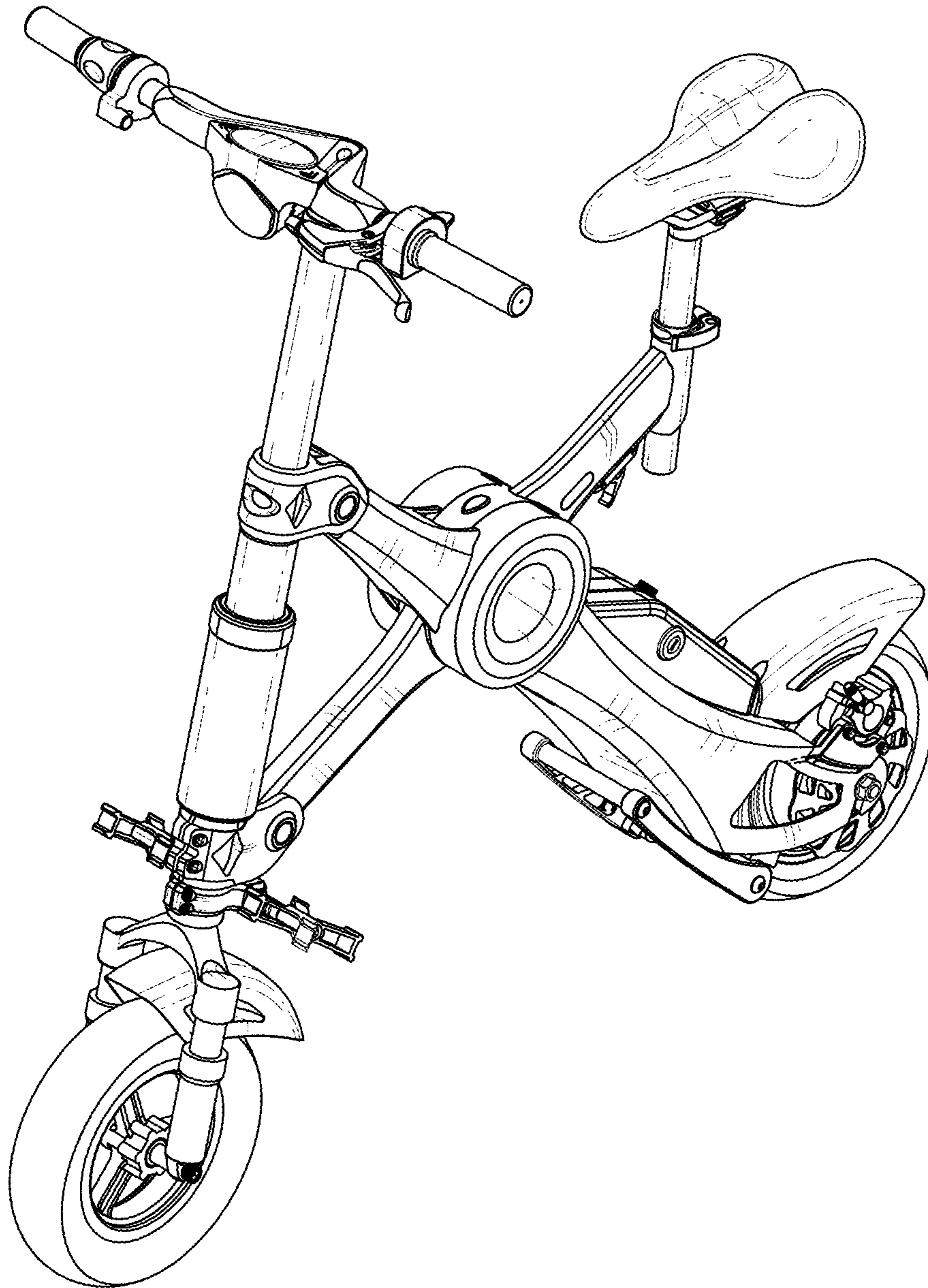


FIG. 7

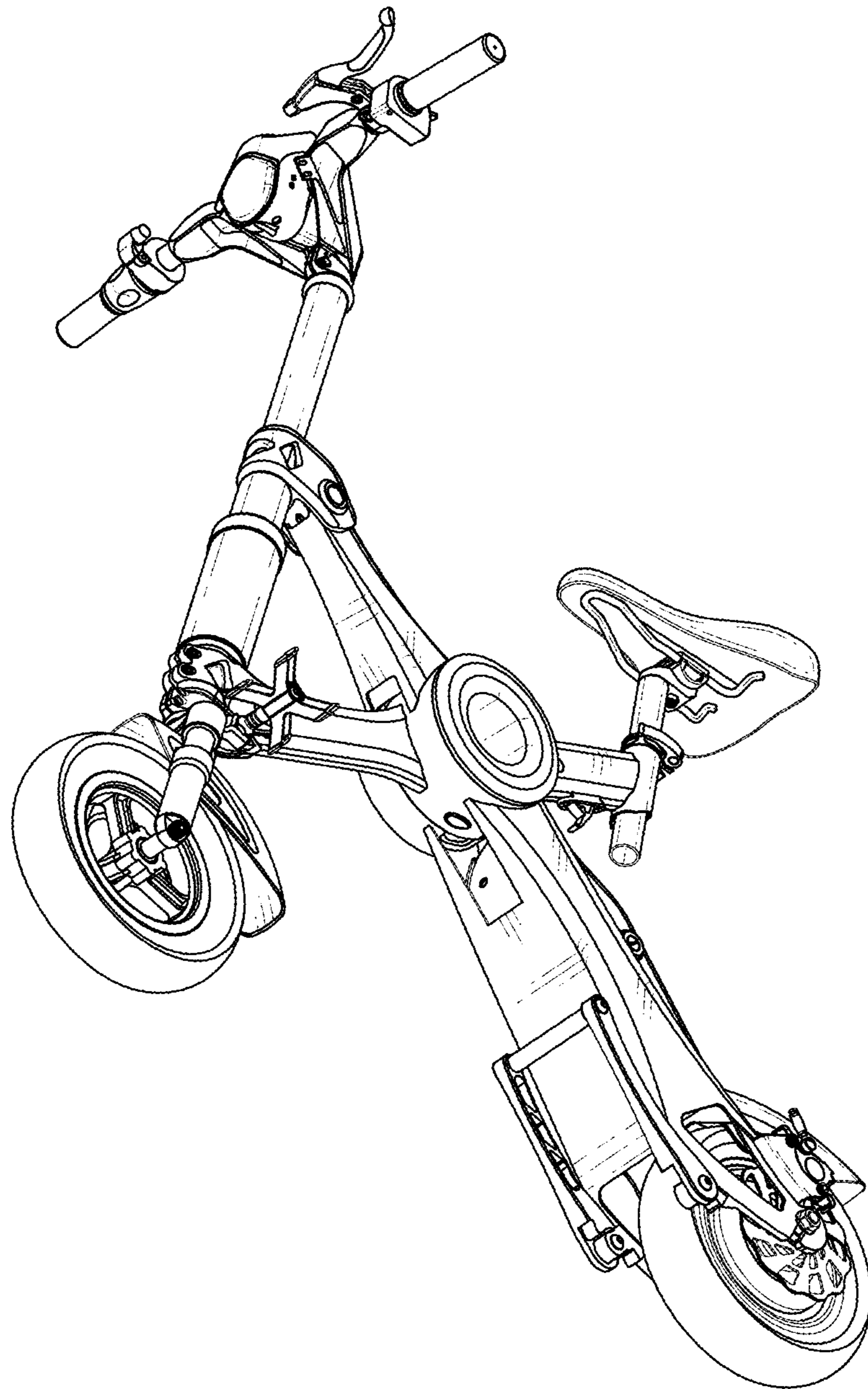


FIG. 8