



US00D780634S

(12) **United States Design Patent**
Segui et al.

(10) **Patent No.:** **US D780,634 S**
(45) **Date of Patent:** **** Mar. 7, 2017**

(54) **AUTOMOBILE, TOY REPLICAS, AND/OR OTHER REPLICAS**

RE34,907 E 4/1995 Gross
5,403,048 A 4/1995 Ekladyous et al.
5,478,127 A 12/1995 Chase
5,482,336 A 1/1996 Rouse et al.
5,503,444 A 4/1996 Rouse et al.
(Continued)

(71) Applicant: **Aston Martin Lagonda Limited**,
Warwickshire (GB)

(72) Inventors: **Tino Segui**, Warwickshire (GB); **Miles Nurnberger**, Warwickshire (GB)

(73) Assignee: **ASTON MARTIN LAGONDA LIMITED**, Gaydon (GB)

(**) Term: **15 Years**

(21) Appl. No.: **29/534,700**

(22) Filed: **Jul. 30, 2015**

(30) **Foreign Application Priority Data**

Jan. 30, 2015 (EM) 001432702-0009
Jan. 30, 2015 (EM) 002624445-0033
Jan. 30, 2015 (EM) 002624445-0034
Jan. 30, 2015 (EM) 002624445-0035

(51) **LOC (10) Cl.** **12-08**

(52) **U.S. Cl.**
USPC **D12/92**

(58) **Field of Classification Search**
USPC D12/86, 90-92, 88; D21/421, 433, 434;
296/181.1, 181.5
CPC B62D 35/00; B62D 25/00; B62D 25/06;
B62D 33/00
See application file for complete search history.

(56) **References Cited**

U.S. PATENT DOCUMENTS

4,917,203 A 4/1990 Sacco et al.
4,944,540 A 7/1990 Mansoor et al.
D334,977 S 4/1993 Avari
5,205,597 A 4/1993 Chase

FOREIGN PATENT DOCUMENTS

DE 2727517 A1 12/1978
DE 4321969 A1 2/1994
(Continued)

OTHER PUBLICATIONS

Aston Martin 2013, "Aston Martin Centenary Celebration Programme," 2013; 204 pages.
(Continued)

Primary Examiner — Melody N Brown
(74) *Attorney, Agent, or Firm* — Dorsey & Whitney LLP

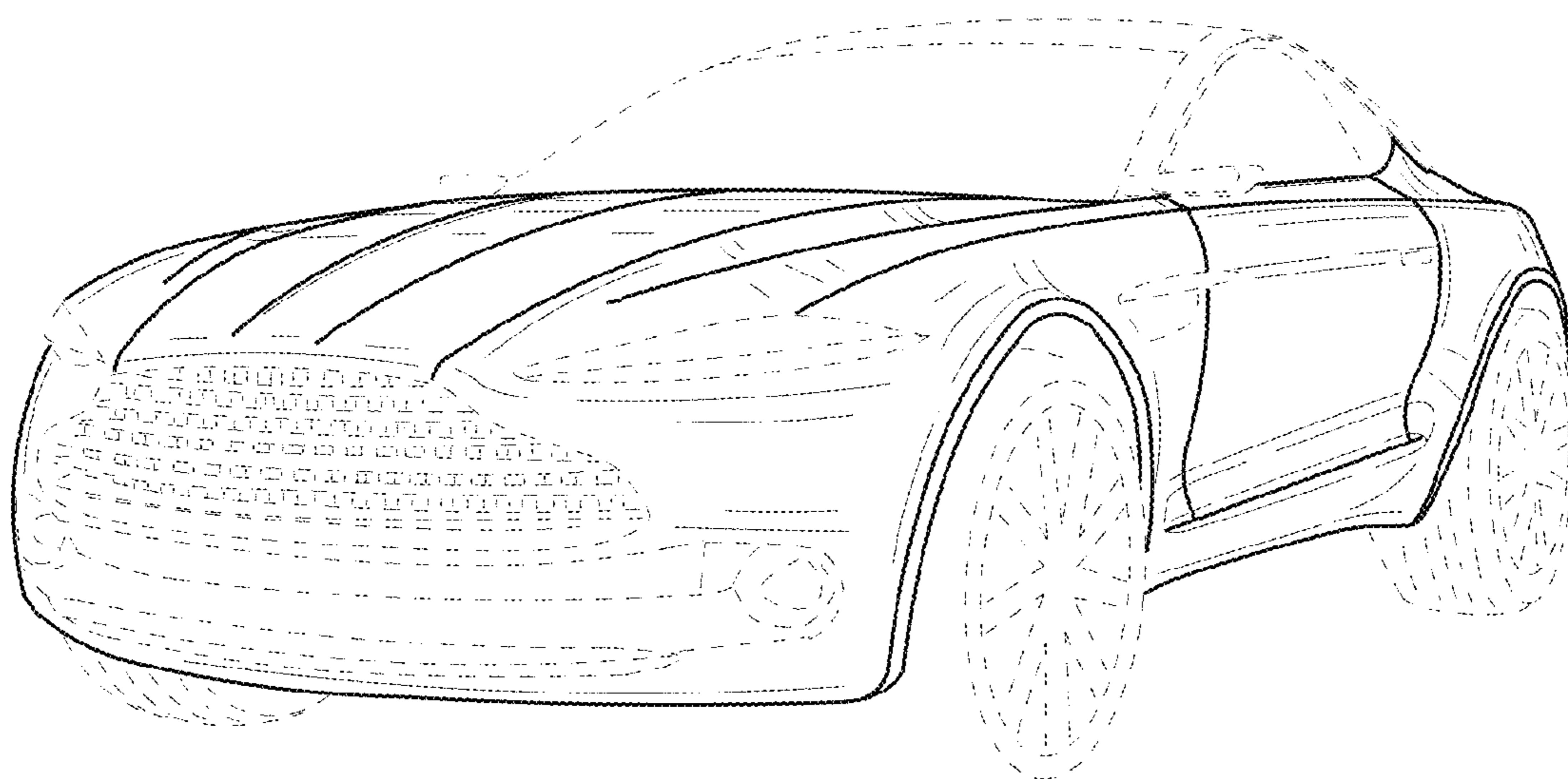
(57) **CLAIM**

The ornamental design for an automobile, toy replicas, and/or other replicas, as shown and described.

DESCRIPTION

FIG. 1 is a top front perspective view of an automobile, toy replicas, and/or other replicas in accordance with the present design;
FIG. 2 is a top rear perspective view thereof;
FIG. 3 is a front elevation view thereof;
FIG. 4 is a rear elevation view thereof;
FIG. 5 is a right side elevation view thereof; and,
FIG. 6 is a top plan view thereof.
The broken lines illustrate portions of the automobile, toy replicas, and/or other replicas that form no part of the claimed design.

1 Claim, 6 Drawing Sheets



(56)

References Cited

U.S. PATENT DOCUMENTS

D395,027 S 6/1998 Wittine
 5,880,394 A 3/1999 Kim
 D415,081 S 10/1999 Wittine
 D431,505 S 10/2000 Kitamura et al.
 6,206,438 B1 3/2001 Pueyo
 D447,983 S 9/2001 Stoddard et al.
 D456,313 S 4/2002 Walling et al.
 6,405,819 B1 6/2002 Ohkura et al.
 D475,662 S 6/2003 Koizumi et al.
 6,702,343 B1 3/2004 Stull
 6,921,117 B2 7/2005 Rackham et al.
 D510,302 S 10/2005 Sugimoto
 D553,544 S 10/2007 Rothman et al.
 D557,184 S 12/2007 Janik
 D557,641 S 12/2007 Davidson
 D573,510 S 7/2008 Pininfarina
 D584,198 S 1/2009 Tamura
 D584,998 S 1/2009 Lamm et al.
 D585,340 S 1/2009 Sinkwitz
 D589,405 S 3/2009 Corradi
 D589,853 S 4/2009 Saridakis et al.
 D592,564 S 5/2009 Kusamoto et al.
 D603,755 S 11/2009 Peters
 D620,396 S 7/2010 Reichman et al.
 D626,465 S 11/2010 Thomas et al.
 D628,942 S 12/2010 Kim
 D629,718 S * 12/2010 Reichman D12/92
 D629,719 S 12/2010 Reichman et al.
 D629,725 S 12/2010 Reichman et al.
 D630,140 S 1/2011 Reichman et al.
 D635,065 S 3/2011 Seo
 D651,142 S 12/2011 Fushimi
 D664,475 S 7/2012 Takahashi
 D665,313 S 8/2012 Asakura
 D668,590 S 10/2012 Furst et al.
 D668,596 S 10/2012 Leahy
 D670,203 S 11/2012 Weil
 D670,620 S 11/2012 Frei et al.
 D671,457 S 11/2012 Goto et al.
 D687,348 S * 8/2013 Nurnberger D12/92
 D687,740 S 8/2013 Yamanaka et al.
 D691,517 S 10/2013 Kwon et al.
 D692,348 S 10/2013 Whelan
 D692,350 S 10/2013 Toriyama et al.
 D692,800 S * 11/2013 Wiltshire D12/92
 D696,978 S 1/2014 Perini
 D701,147 S 3/2014 Saracoglu
 D704,101 S 5/2014 Beaven
 D704,102 S * 5/2014 Nurnberger D12/92
 D704,601 S 5/2014 Nurnberger
 D716,700 S 11/2014 Matsumoto et al.
 D718,665 S 12/2014 Menegon
 D718,667 S 12/2014 Manzoni
 D719,878 S 12/2014 Webber
 D722,535 S 2/2015 Baudy
 D724,495 S 3/2015 Majdandzic
 D726,079 S 4/2015 Reichman et al.
 D727,804 S 4/2015 Nurnberger
 D730,777 S 6/2015 Nurnberger
 D739,789 S 9/2015 Payne
 D740,725 S 10/2015 Payne
 D744,901 S * 12/2015 Fulgenzi D12/92
 2002/0093220 A1 7/2002 Borghi et al.
 2005/0248184 A1 11/2005 Piffaretti

FOREIGN PATENT DOCUMENTS

EM 000212923-0001 A1 10/2004
 EM 000212923-0002 A1 10/2004
 EM 001067839-0001 1/2009
 EM 001650052-0001 12/2009
 EM 001674631-0001 2/2010
 EM 001674631-0002 2/2010
 EM 001674631-0003 2/2010
 EM 001674631-0005 2/2010

EM 001999848-0001 2/2012
 EM 001999848-0003 2/2012
 EM 002033621-0001 4/2012
 EM 002033621-0003 4/2012
 EM 002033621-0005 4/2012
 EM 002033621-0006 4/2012
 EM 002047977-0002 5/2012
 EM 002171488-0001 1/2013
 EP 896892 A1 2/1999
 EP 906863 A2 4/1999
 EP 2476603 A2 7/2012
 GB 2327912 A 2/1999
 GB 3013456 7/2003
 GB 2396881 A 7/2004
 GB 3024223 4/2006
 JP D1400694 10/2010
 JP D1444677 5/2012
 WO 02/12028 2/2002

OTHER PUBLICATIONS

Aston Martin IDBS Brochure; Website[online]: <http://www.auto-brochures.com>, Jan. 27, 2012 [retrieved on Oct. 22, 2013]. Retrieved from the internet: <URL: http://www.auto-brochures.com/makes/Aston_Martin/dbs/Aston%20Martin_int%20DBS_1.pdf>; 62 pages.
 Aston Martin DB9 Brochure; Website[online]: <http://www.auto-brochures.com>, Jan. 27, 2012 [retrieved on Oct. 22, 2013]. Retrieved from the internet: <URL: http://www.auto-brochures.com/makes/Aston_Martin/db9/Aston%20Martin_int%20DB9_1.pdf>; 41 pages.
 2008 Aston Martin DB9 Grill & Front View Photo. Website[online]: <http://www.motortrend.com>, Jun. 12, 2008 [retrieved on Oct. 22, 2013]. Retrieved from the internet: <URL: http://www.motortrend.com/cars/2008/aston_martin/db9/photos/exterior/grill_front_view.html>; 1 page.
 European Patent Office; PCT International Search Report mailed Nov. 21, 2001; PCT/GB01/03563; 3 pages.
 European Patent Office; PCT International Preliminary Examination Report mailed Dec. 5, 2002; PCT/GB01/03563; 11 pages.
 European Patent Office; PCT Written Opinion mailed Mar. 6, 2002; PCT/GB01/03563; 5 pages.
 European Patent Office; PCT Written Opinion mailed Aug. 21, 2002; PCT/GB01/03563; 5 pages.
 2003 Aston Martin DB7 Vantage, [online], [site visited Jan. 3, 2014], Available from Internet, <URL: <http://www.conceptcarz.com/view/photo/291097,6877/2003-Aston-Martin-DB7-Vantage.aspx>>, 2 pages.
 2014 Aston Martin Rapide S, announced Dec. 30, 2013, [online], [site visited Jan. 3, 2014], Available from Internet, <URL: <http://www.astonmartin.com/en-us/cars/rapide-s>>, 35 pages.
 2011 Aston Martin Rapide, [online article Feb. 4, 2010, [site visited Jan. 3, 2014], Available from Internet, <URL: http://www.roadandtrack.com/car-reviews/first-drives/photos-2011-aston-martin-rapide?click-main_sr#slide-1>, 6 pages.
 Vijayenthiran, Viknesh. "Aston Martin Builds and Sells Two CC100 Speedsters: Report." Motor Authority., Jul. 26, 2013 [online], [retrieved on Sep. 5, 2014]. Retrieved from the Internet <URL: http://www.motorauthority.com/news/1085797_aston_martin-builds-and-sells-two-cc1GO-speedsters-report>.
 Carrion, Annette. "2014 Aston Martin Vanquish Volante Neiman Marcus . . ." European Car Web., Nov. 15, 2013 [online], [retrieved on Sep. 5, 2014]. Retrieved from the Internet <URL: http://www.europeancarweb.com/news/1311_2014_aston_martin_vanquish_volante_neiman_marcus_edition/photo_06.html>.
 "2011 Aston Martin One-77." Electronic Brochure., Jun. 22, 2010 [online], [retrieved on Sep. 5, 2014]. Retrieved from the Internet <URL: http://www.auto-brochures.com/makes/Aston_Martin/one-77/Aston%20Martin_int%20one-77.pdf>.

(56)

References Cited

OTHER PUBLICATIONS

“2012 Aston Martin Virage”, Online Review dated Mar. 21, 2012 (Retrieved from the Internet Jan. 20, 2016), Available at <http://www.autoblog.com/2012/03/21/2012-aston-martin-virage-review-road-test>.

* cited by examiner

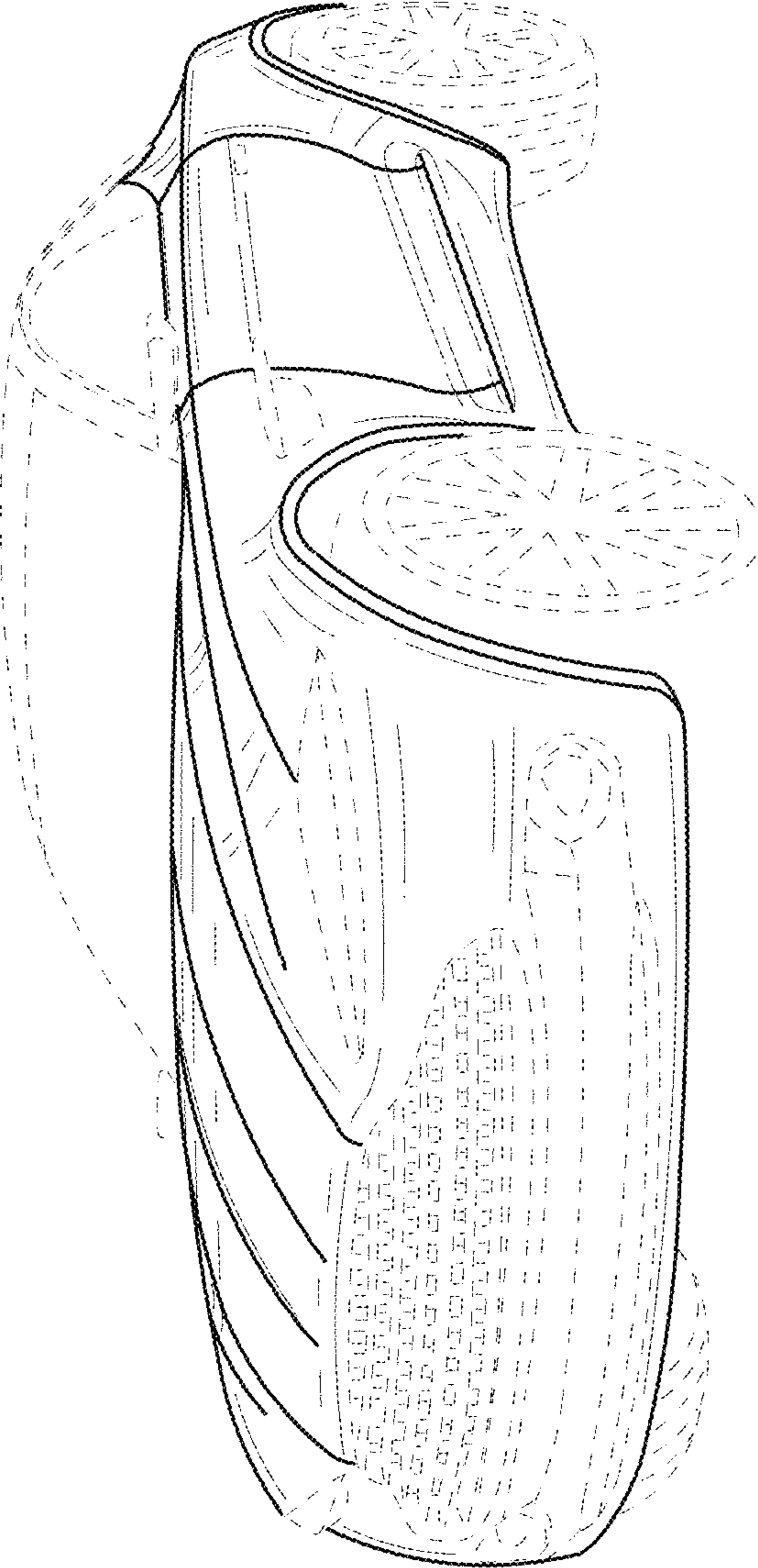


FIG. 1

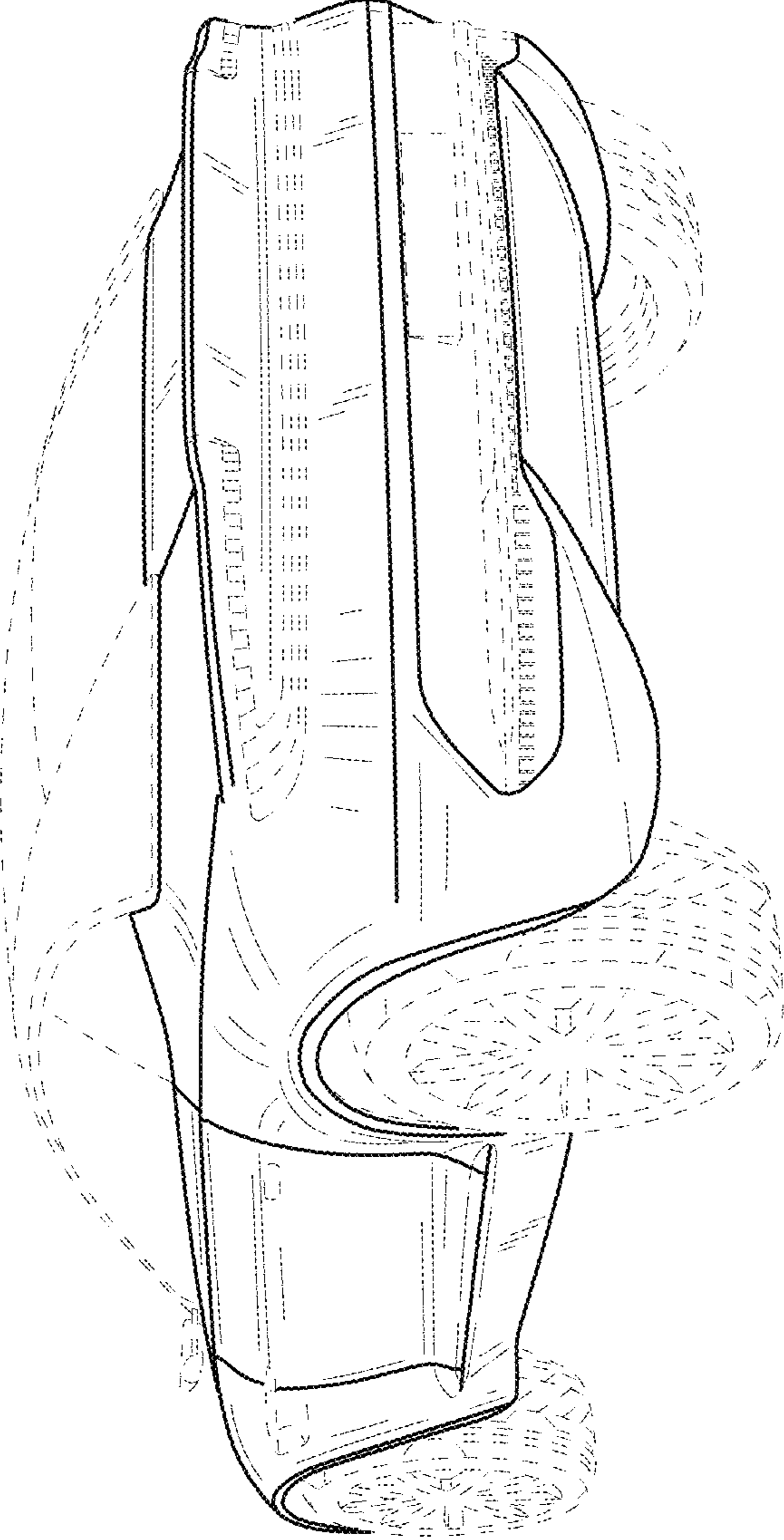


FIG. 2

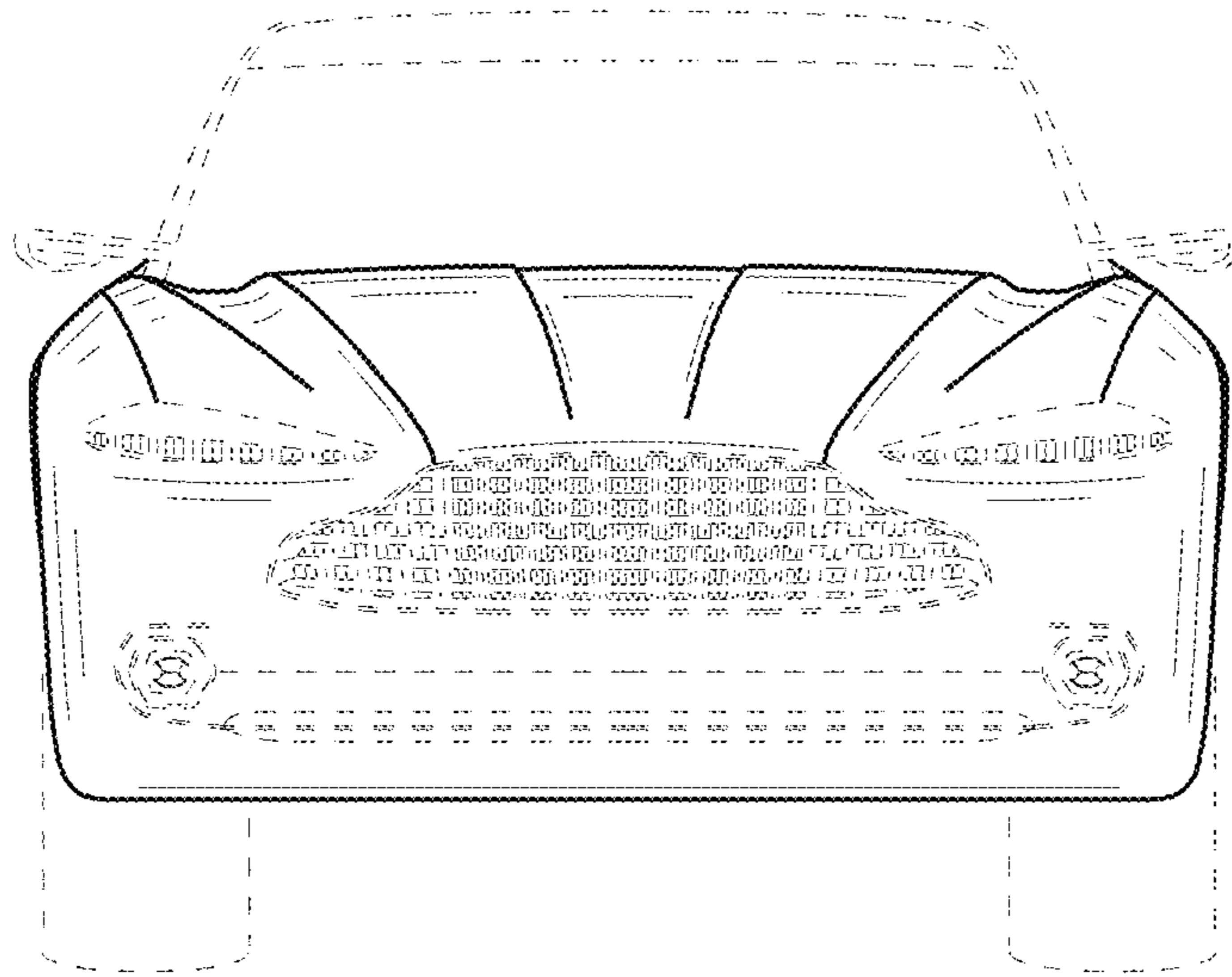


FIG. 3

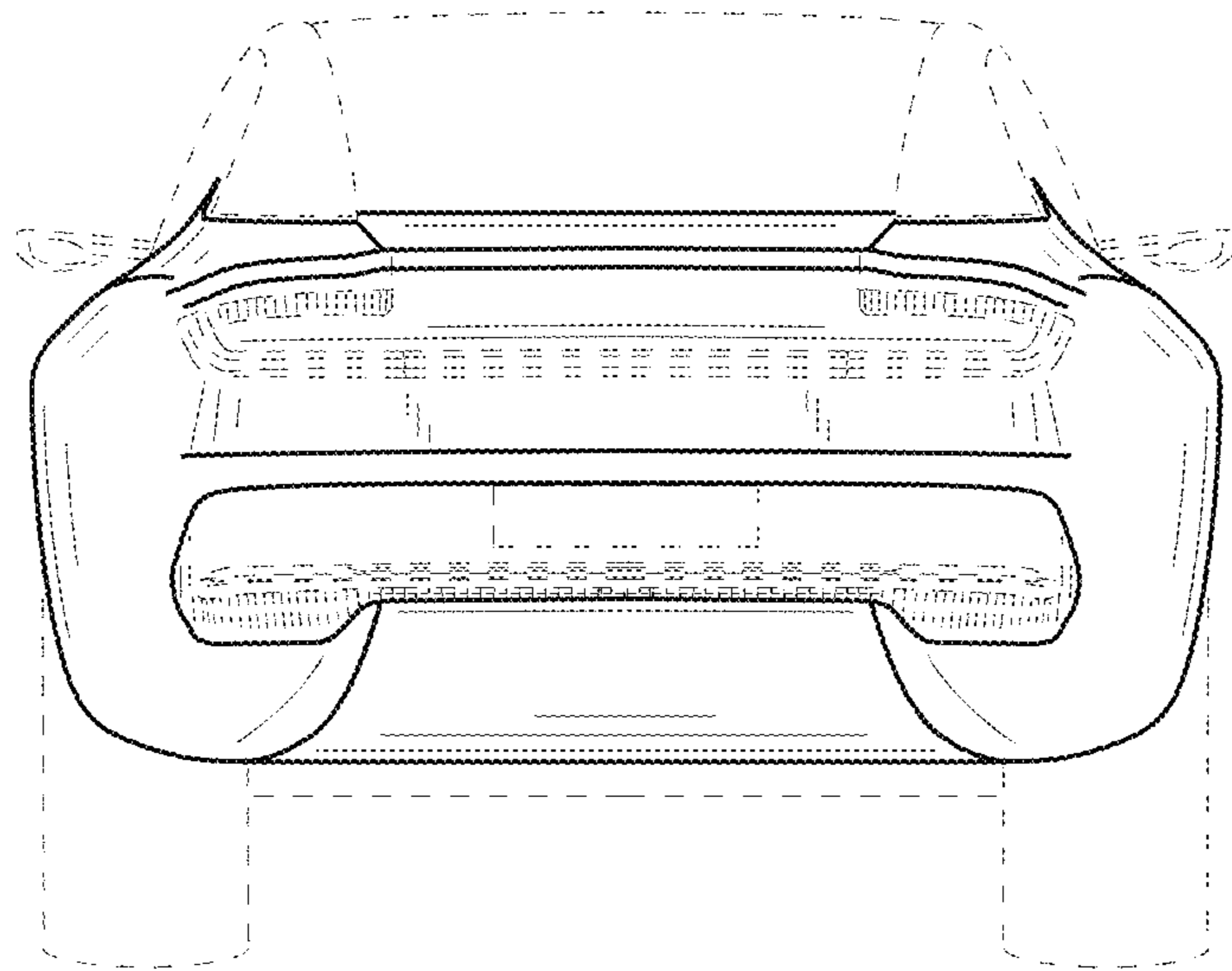


FIG. 4

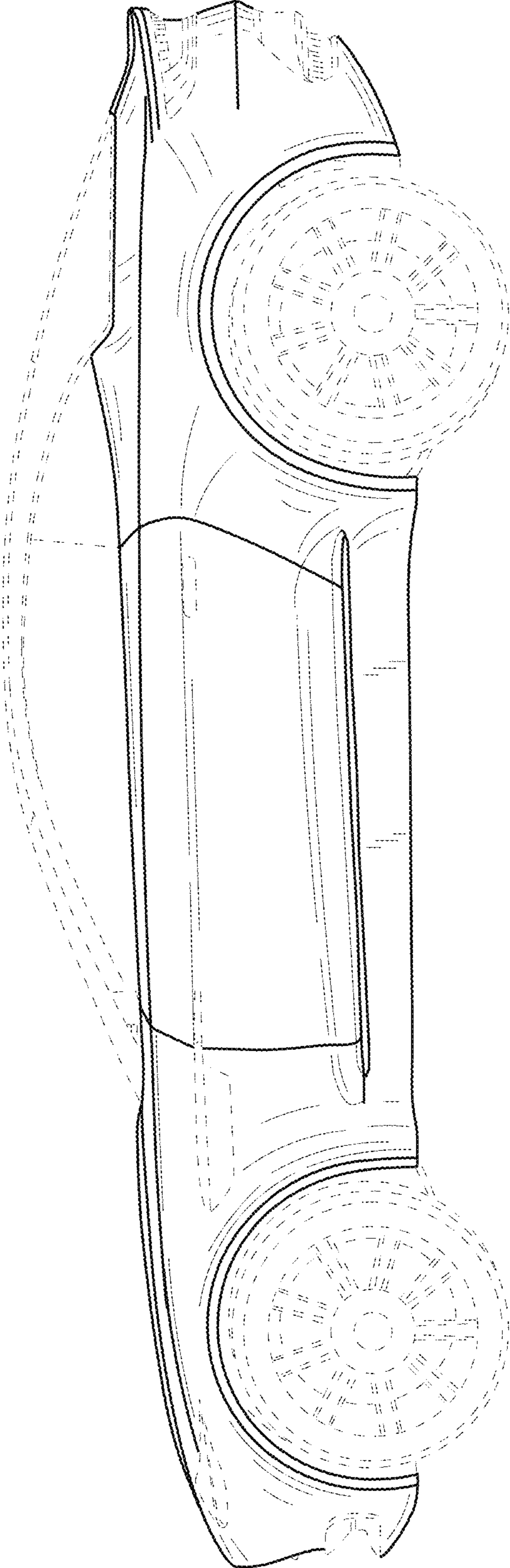


FIG. 5

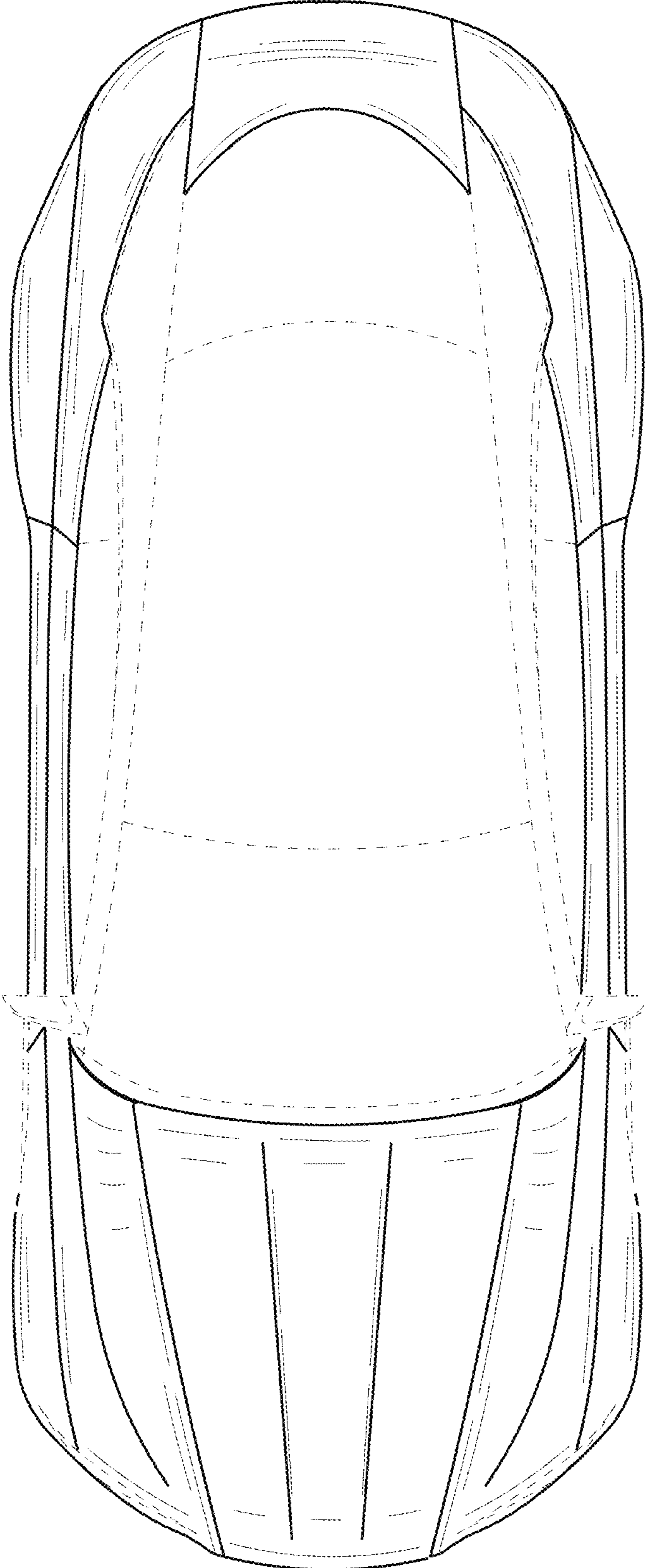


FIG. 6