



US00D780631S

(12) **United States Design Patent**  
**Kozub et al.**

(10) **Patent No.:** **US D780,631 S**

(45) **Date of Patent:** **\*\* Mar. 7, 2017**

(54) **VEHICLE BODY EXTERIOR**  
(71) Applicant: **GM GLOBAL TECHNOLOGY OPERATIONS LLC**, Detroit, MI (US)  
(72) Inventors: **Timothy P. Kozub**, Troy, MI (US);  
**Jong Hyuk Park**, Troy, MI (US)  
(73) Assignee: **GM Global Technology Operations LLC**, Detroit, MI (US)

D608,249 S 1/2010 Peters  
D608,690 S 1/2010 Folden et al.  
D608,691 S 1/2010 Zak, Jr. et al.  
D609,608 S 2/2010 Boniface et al.  
D611,387 S 3/2010 Thompson et al.  
D611,879 S 3/2010 Kim et al.  
D612,297 S 3/2010 Peters et al.  
D613,645 S 4/2010 Song et al.  
D615,458 S 5/2010 Thompson et al.  
D618,595 S 6/2010 Ware et al.  
D623,090 S 9/2010 Cox et al.  
D627,262 S 11/2010 Ikeda et al.  
D635,488 S 4/2011 Phipps  
D644,147 S 8/2011 Suh et al.  
D644,567 S 9/2011 Kozub  
D657,718 S 4/2012 Zipfel et al.

(\*\*) Term: **15 Years**

(21) Appl. No.: **29/542,670**

(22) Filed: **Oct. 16, 2015**

(51) **LOC (10) Cl.** ..... **12-08**

(52) **U.S. Cl.**  
USPC ..... **D12/91**

(58) **Field of Classification Search**  
USPC ..... D12/86, 90-92; D21/421, 433, 434;  
296/181.1, 181.5  
CPC ..... B62D 35/00; B62D 25/00; B62D 25/06;  
B62D 33/00  
See application file for complete search history.

(56) **References Cited**

**U.S. PATENT DOCUMENTS**

D570,742 S 6/2008 Takagi  
D592,105 S 5/2009 Dean  
D597,447 S 8/2009 Folden  
D600,595 S 9/2009 Nakamura  
D601,925 S 10/2009 O'Donnell  
D603,755 S 11/2009 Peters  
D604,203 S 11/2009 O'Donnell  
D605,082 S 12/2009 Munson  
D605,083 S 12/2009 Manoogian, II et al.  
D605,977 S 12/2009 Zipfel et al.  
D605,978 S 12/2009 Wolff et al.

*Primary Examiner* — Melody N Brown  
(74) *Attorney, Agent, or Firm* — Reising Ethington P.C.

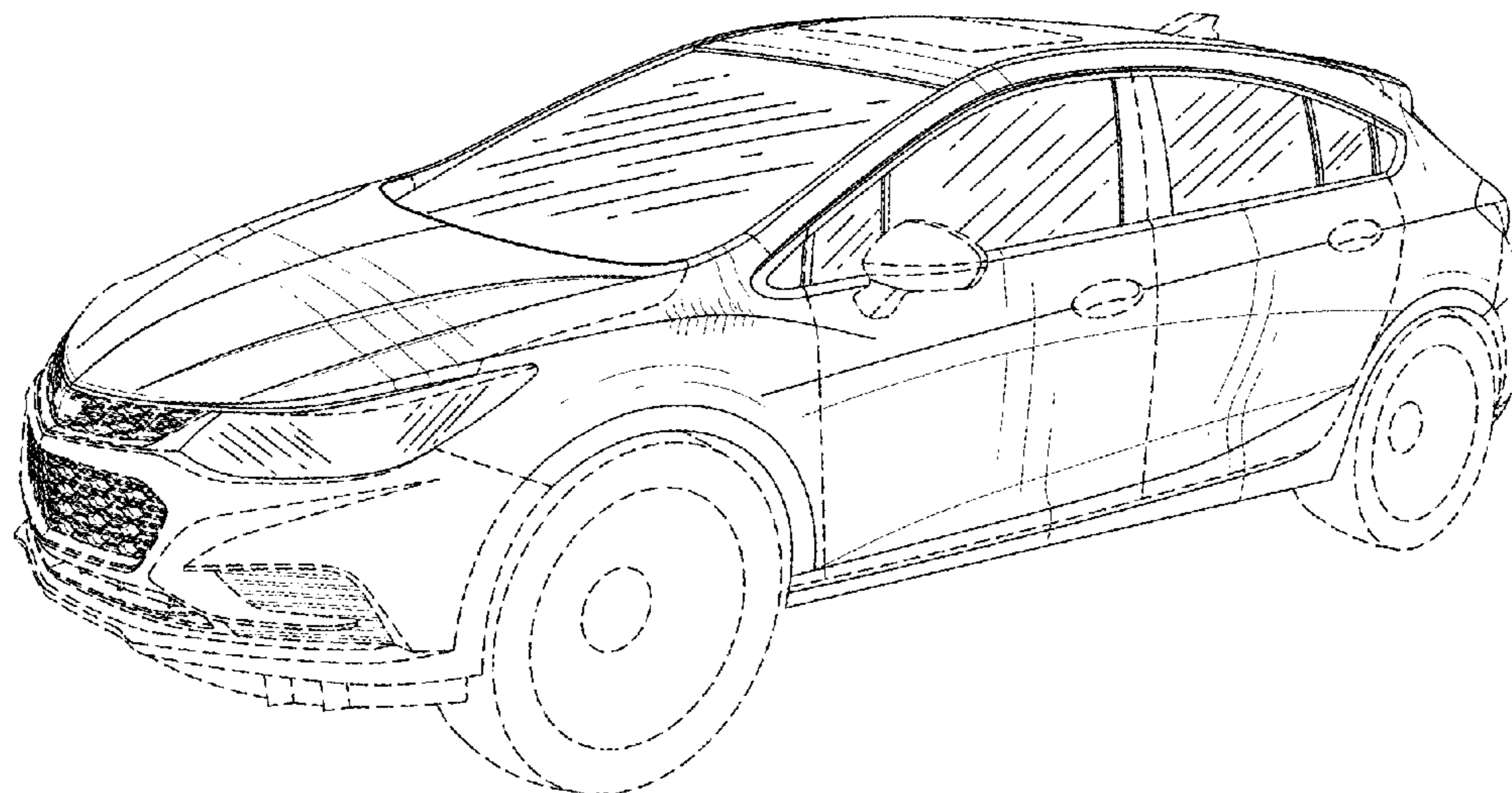
(57) **CLAIM**

The ornamental design for a vehicle body exterior, as shown and described.

**DESCRIPTION**

FIG. 1 is a front view of the vehicle body exterior; FIG. 2 is a front and left side perspective view thereof; FIG. 3 is a left side elevational view, the right side is substantially a mirror image thereof; FIG. 4 is a top plan view thereof; FIG. 5 is a rear and left side perspective view thereof; FIG. 6 is another rear and left side perspective view thereof; and, FIG. 7 is a rear view thereof.  
The broken lines shown in the drawings depict portions of the vehicle body exterior that form no part of the claimed design.

**1 Claim, 7 Drawing Sheets**



(56)

**References Cited**

U.S. PATENT DOCUMENTS

D659,052 S 5/2012 Ware et al.  
 D659,053 S 5/2012 Ware et al.  
 D668,182 S 10/2012 Barba Franco  
 D668,183 S 10/2012 Smart  
 D678,820 S 3/2013 Song  
 D678,821 S 3/2013 Ikeda et al.  
 D680,909 S 4/2013 Munson et al.  
 D680,910 S 4/2013 David  
 D684,899 S 6/2013 Baker  
 D686,536 S 7/2013 McCabe et al.  
 D692,798 S 11/2013 Thurber  
 D692,799 S 11/2013 Smith et al.  
 D696,157 S 12/2013 Loeb  
 D699,629 S 2/2014 Ikeda et al.  
 D700,871 S 3/2014 O'Donnell et al.  
 D703,103 S 4/2014 Lee  
 D704,103 S 5/2014 Mack et al.  
 D705,132 S 5/2014 Ware et al.  
 D705,699 S 5/2014 Ware et al.  
 D713,298 S 9/2014 Dyson  
 D713,764 S 9/2014 Ferlazzo  
 D716,696 S 11/2014 Thole et al.  
 D716,706 S 11/2014 Thole et al.  
 D716,709 S 11/2014 Thole et al.

D717,696 S 11/2014 Thole et al.  
 D718,189 S 11/2014 Krieg et al.  
 D718,683 S 12/2014 Thole et al.  
 D722,282 S 2/2015 Loeb  
 D722,533 S 2/2015 Thole et al.  
 D722,534 S 2/2015 Munson et al.  
 D724,510 S 3/2015 McMahan et al.  
 D725,001 S 3/2015 McMahan et al.  
 D726,591 S 4/2015 Jacob  
 D730,776 S 6/2015 Smart  
 D730,783 S 6/2015 Henriques et al.  
 D732,427 S 6/2015 Loeb  
 D732,429 S 6/2015 Loeb  
 D732,430 S 6/2015 Loeb  
 D732,431 S 6/2015 Loeb  
 D732,432 S 6/2015 Aengenheyster  
 D732,433 S 6/2015 Aengenheyster  
 D732,435 S 6/2015 Mackay  
 D733,002 S 6/2015 Loeb  
 D735,611 S 8/2015 Aengenheyster  
 D735,627 S 8/2015 Smith  
 D736,451 S 8/2015 Smith  
 D739,306 S 9/2015 McMahan et al.  
 D739,317 S 9/2015 McMahan et al.  
 D749,985 S \* 2/2016 Kozub ..... D12/92  
 D767,449 S \* 9/2016 Pevovar ..... D12/92  
 D767,451 S \* 9/2016 Kozub ..... D12/92

\* cited by examiner

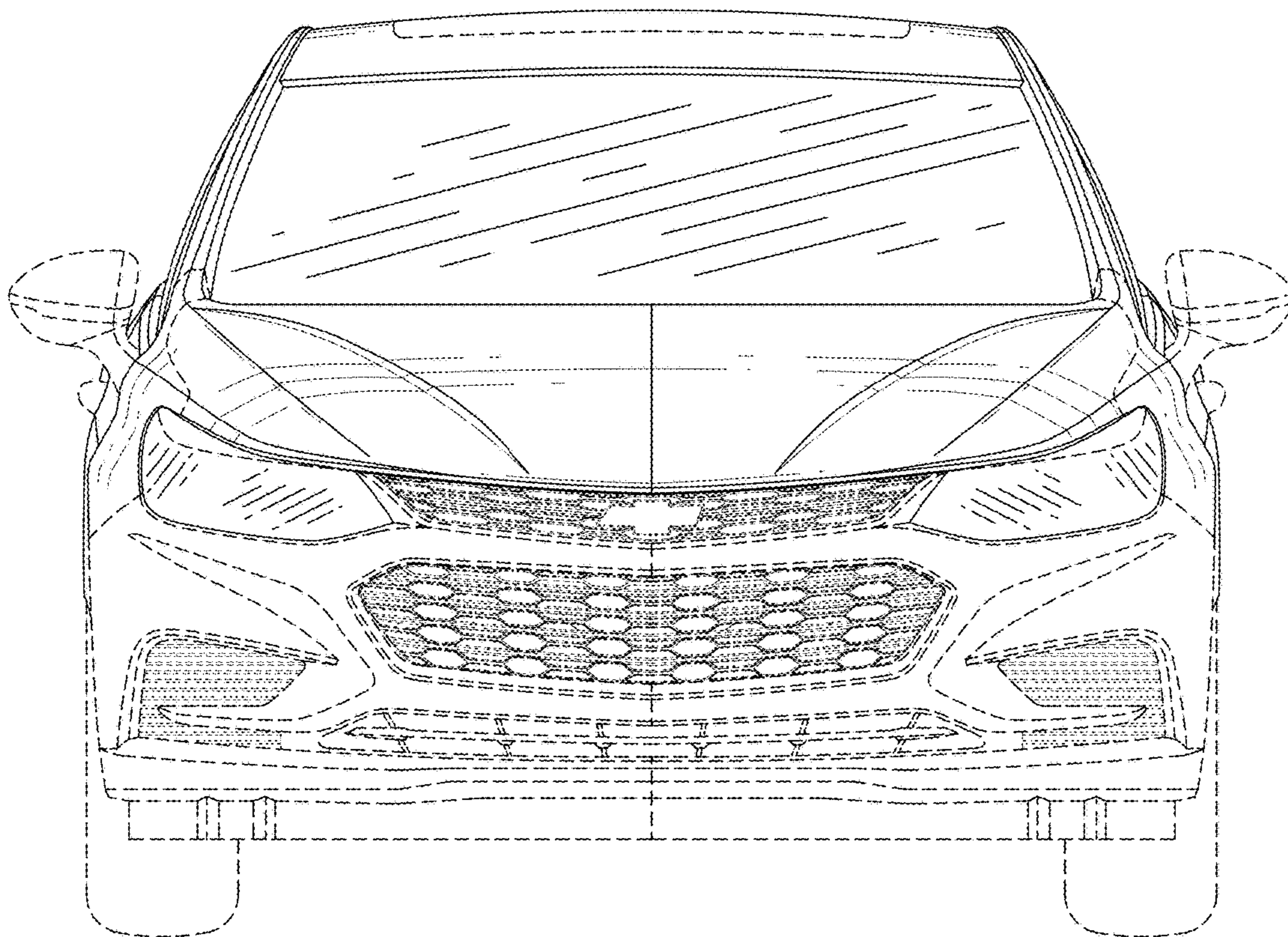


Fig. 1

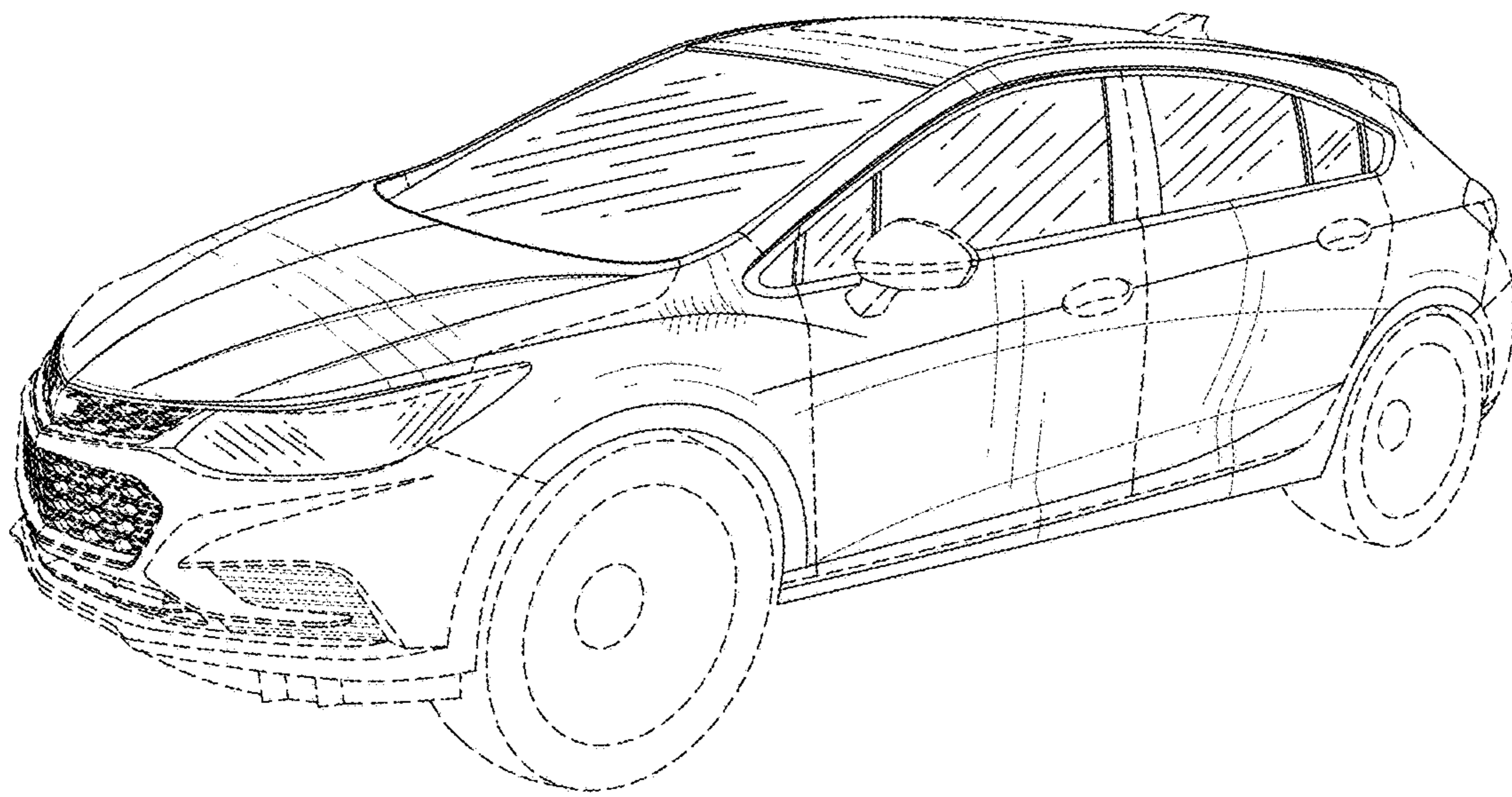


Fig. 2

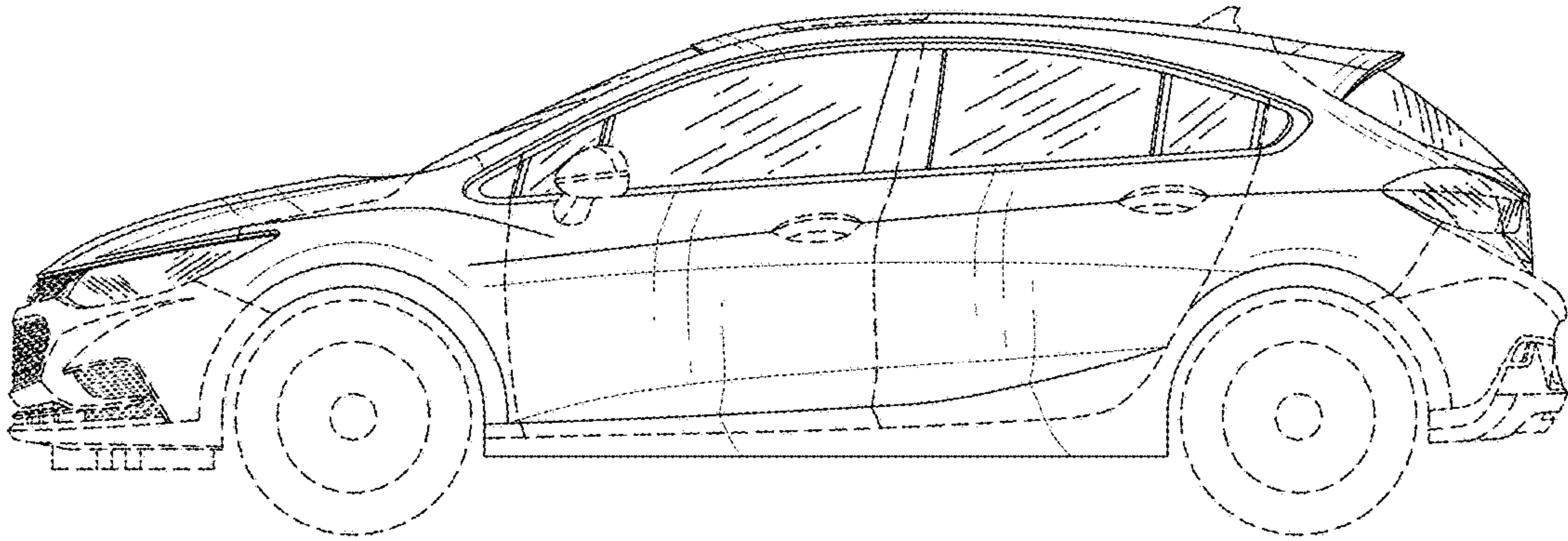


Fig. 3

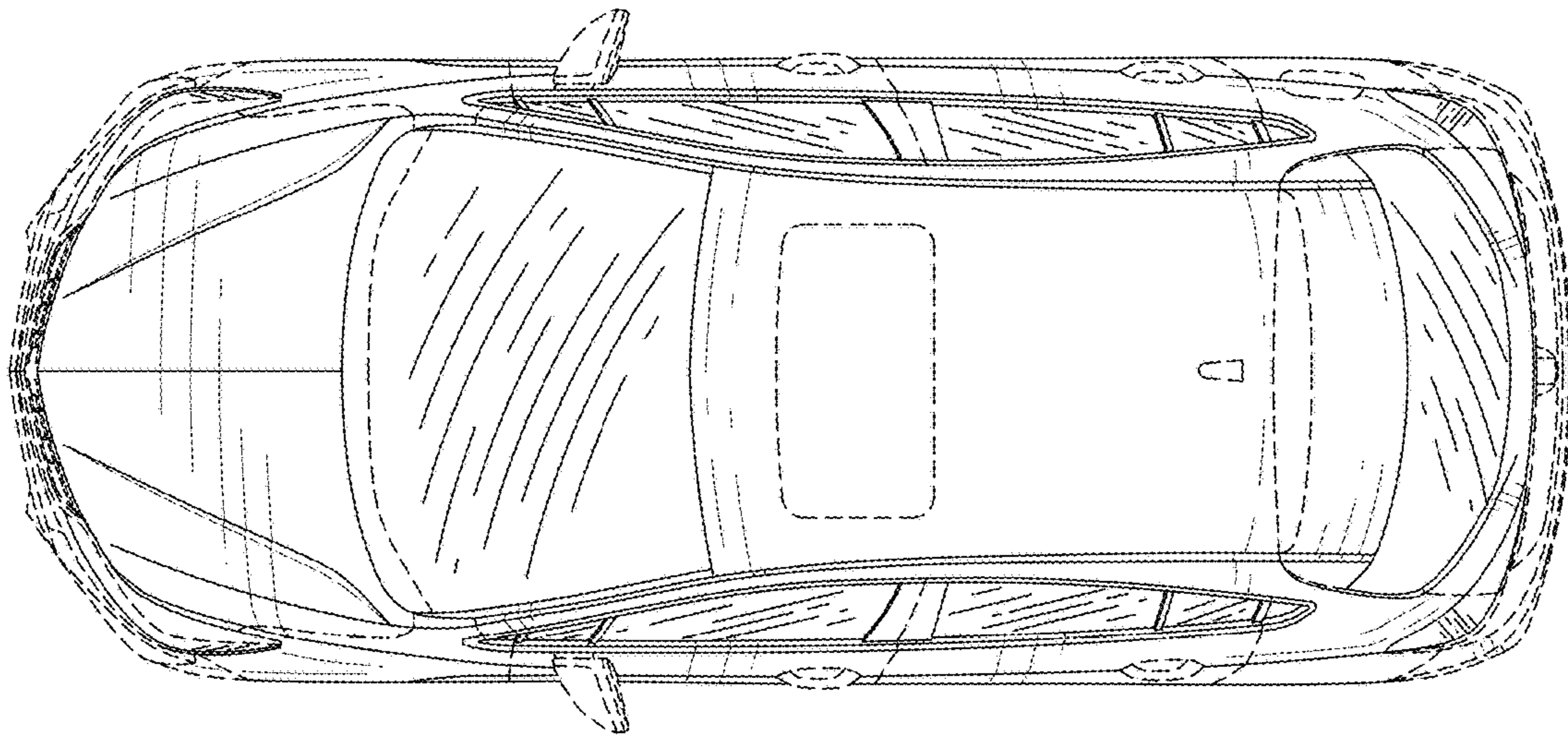


Fig. 4

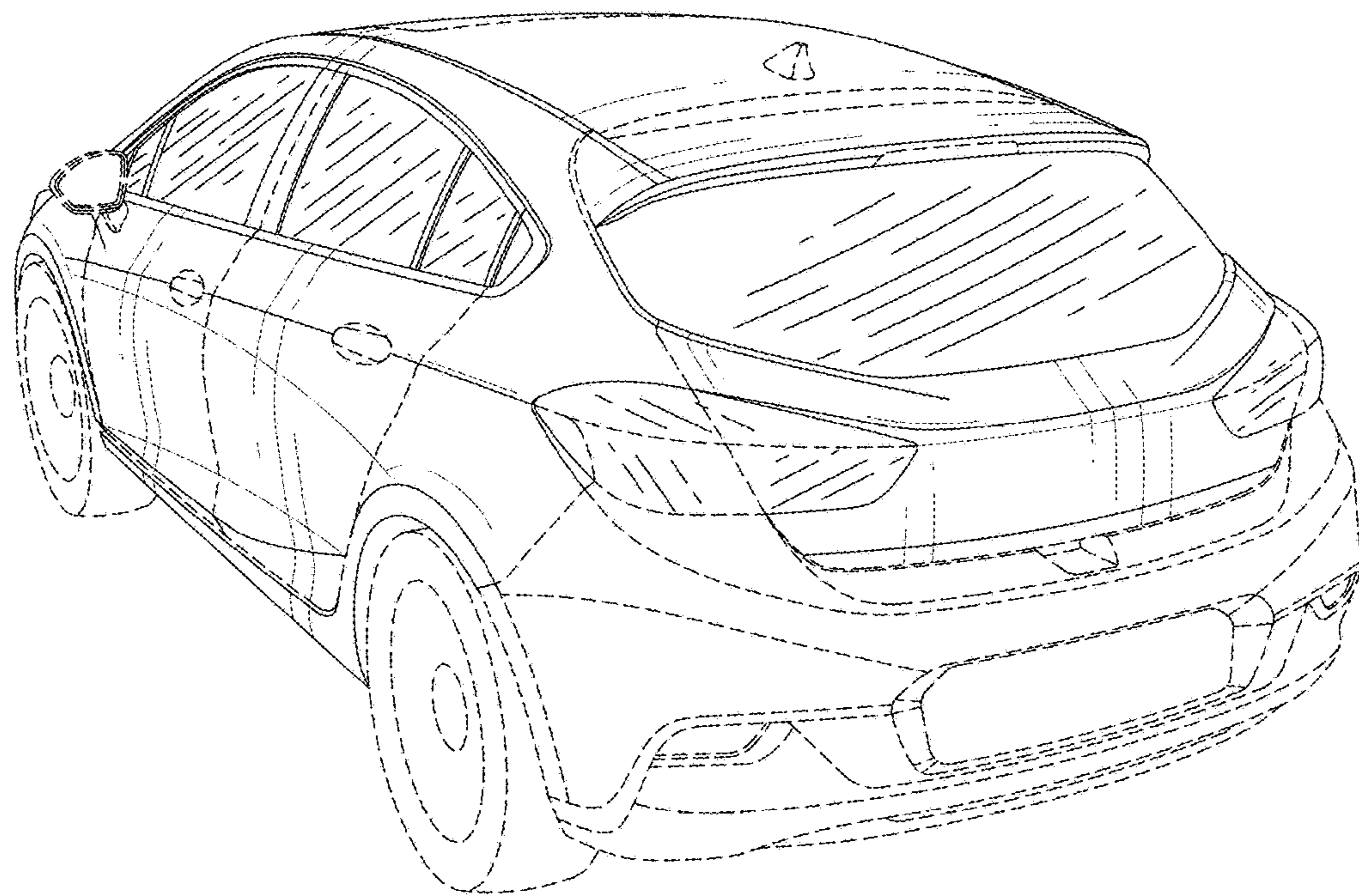


Fig. 5

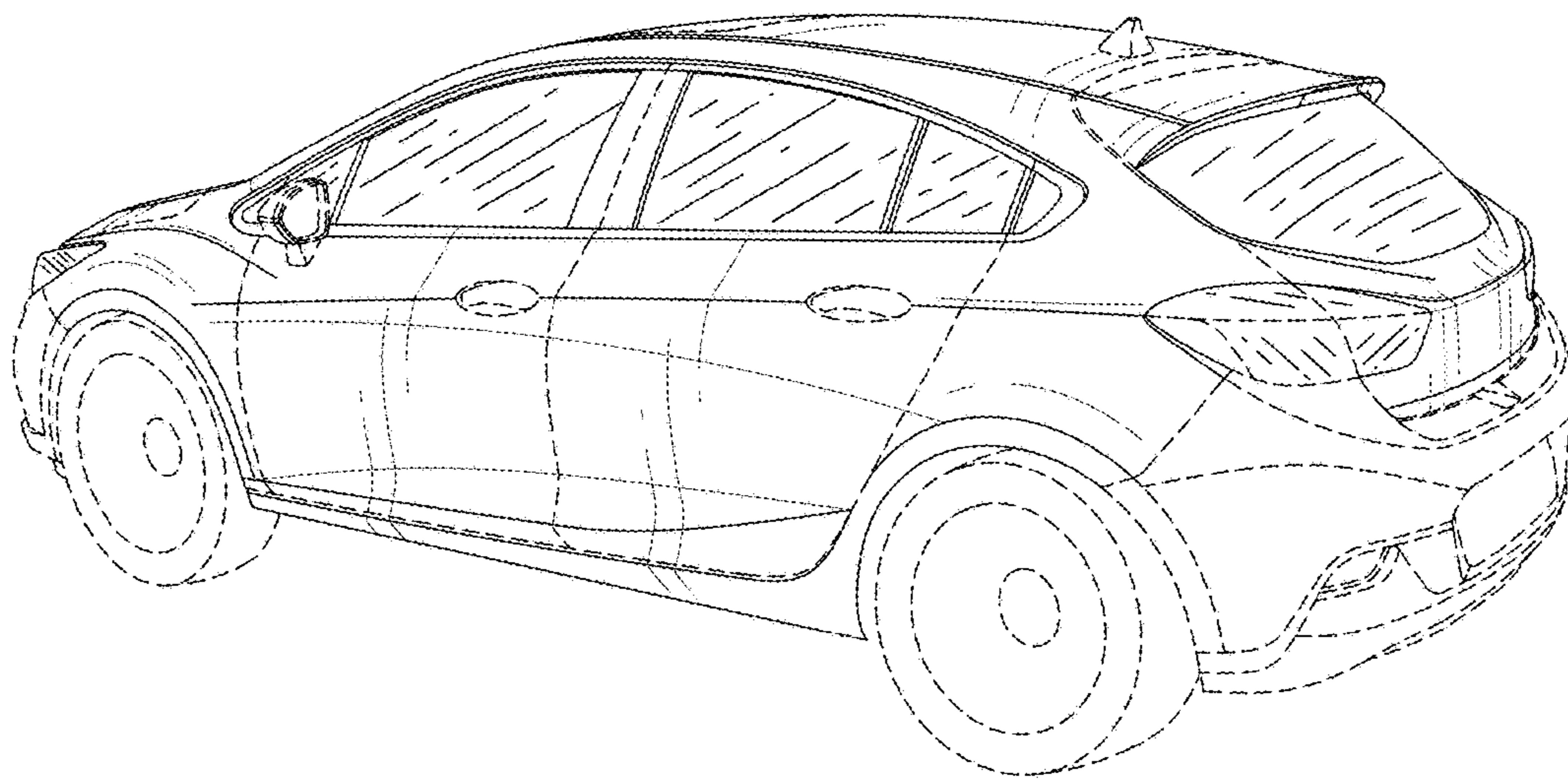


Fig. 6



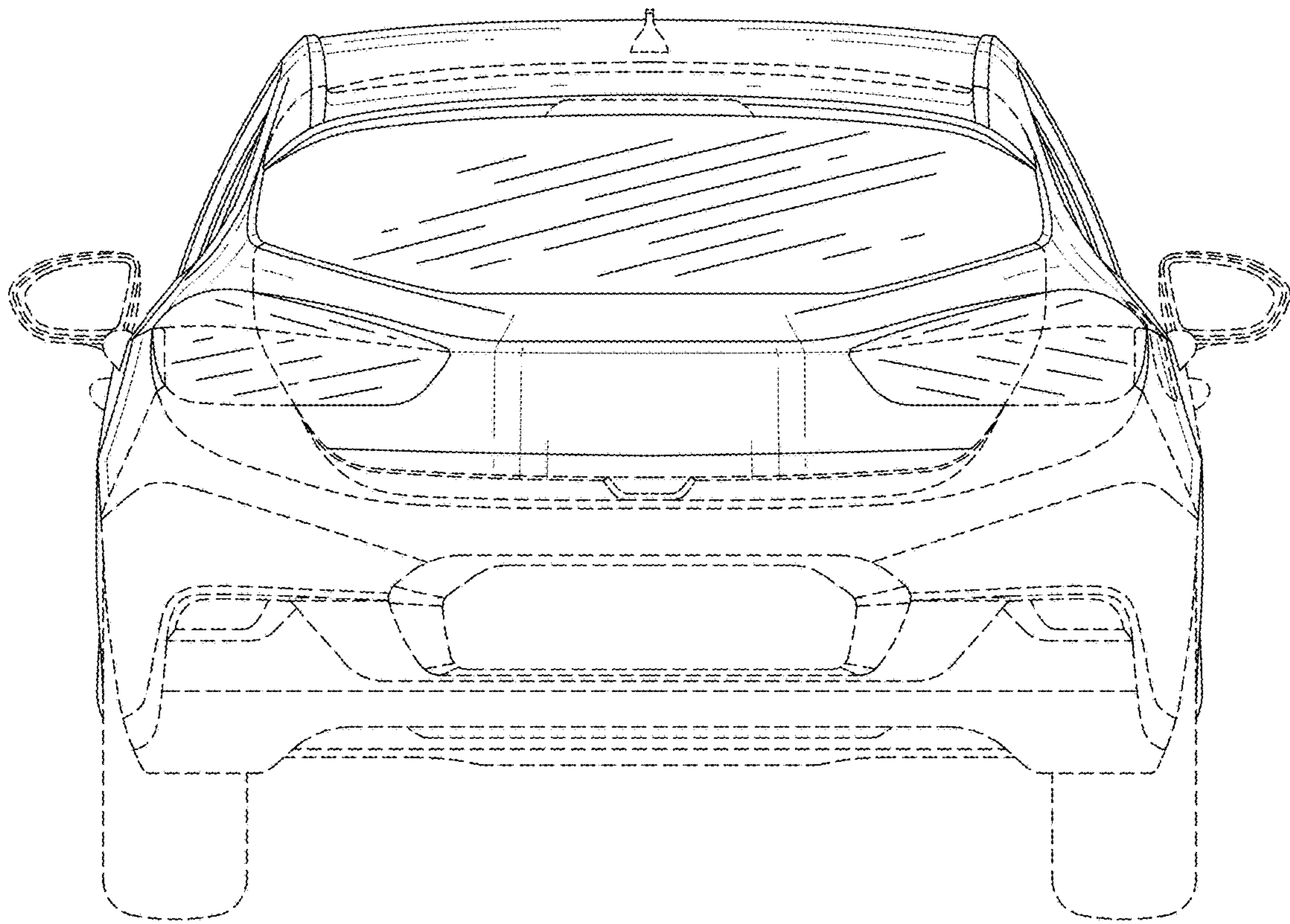


Fig. 7