



US00D780625S

(12) **United States Design Patent** (10) **Patent No.:** **US D780,625 S**  
**Hung et al.** (45) **Date of Patent:** **\*\* Mar. 7, 2017**

(54) **FASTENER TAPE**

(56) **References Cited**

(71) Applicant: **IDEAL FASTENER (GUANGDONG) INDUSTRIES LTD.**, Zhaoqing, Guangdong (CN)

U.S. PATENT DOCUMENTS

(72) Inventors: **Franklin Chi Yen Hung**, Guangdong (CN); **Weibiao Zeng**, Guangdong (CN); **William Qiu**, Guangdong (CN); **Ali Lv**, Guangdong (CN); **Fukang Wu**, Guangdong (CN)

D118,022 S *	12/1939	Poux .....	D11/221
4,099,301 A *	7/1978	Fujisaki .....	A44B 19/36 24/386
D291,546 S *	8/1987	Oda .....	D11/221
D291,670 S *	9/1987	Takabatake .....	D11/221
D331,892 S *	12/1992	Semons .....	D11/221
D473,821 S *	4/2003	Yoneoka .....	D11/221
D498,434 S *	11/2004	Iwase .....	D11/221
D511,997 S *	11/2005	Hamada .....	D11/221
D557,633 S *	12/2007	Ohgaku .....	D11/221
7,356,887 B2 *	4/2008	Iwase .....	A44B 19/306 24/415
D608,247 S *	1/2010	Keyaki .....	D11/221
D682,156 S *	5/2013	Caldwell .....	D11/221
D706,676 S *	6/2014	Ohgaku .....	D11/221
D746,721 S *	1/2016	Petronis .....	D11/221

(73) Assignee: **IDEAL FASTENER (GUANGDONG) INDUSTRIES LTD.**, Zhaoqing, Guangdong (CN)

(\*\*) Term: **15 Years**

\* cited by examiner

(21) Appl. No.: **29/562,251**

*Primary Examiner* — Ralf Seifert

(22) Filed: **Apr. 25, 2016**

(74) *Attorney, Agent, or Firm* — Chieh-Mei Wang

(30) **Foreign Application Priority Data**

(57) **CLAIM**

Feb. 4, 2016 (CN) ..... 201630042003

The ornamental design for a fastener tape, as shown.

(51) **LOC (10) Cl.** ..... **02-07**

**DESCRIPTION**

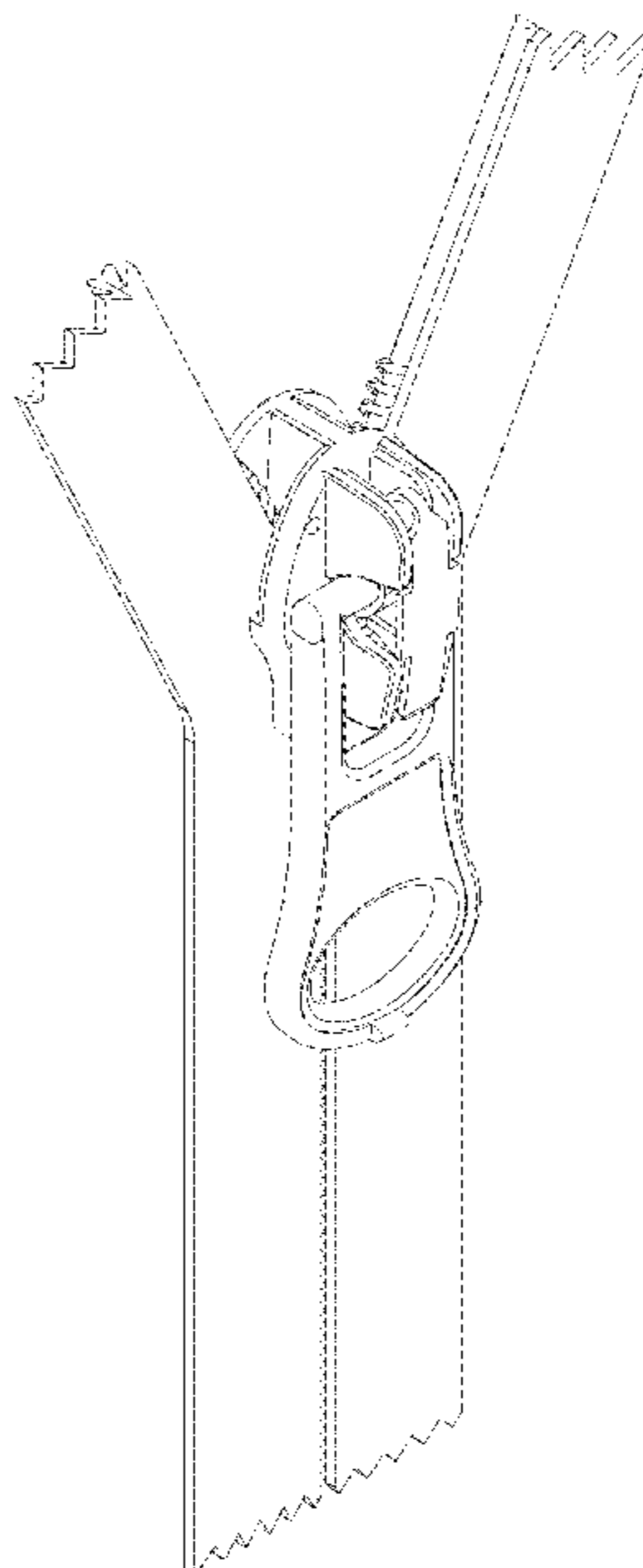
(52) **U.S. Cl.**  
USPC ..... **D11/221**

(58) **Field of Classification Search**  
USPC ..... D11/200–201, 221; 24/381–383,  
24/385–387, 414–417, 421–422, 419,  
24/429, 431, 390, 432; 2/265; D2/641;  
294/2, 3.6; 223/111  
CPC ..... A44B 19/00; A44B 19/02; A44B 19/04;  
A44B 19/10; A44B 19/24; A44B 19/26;  
A44B 19/30; A44B 19/06

FIG. 1 is a front elevational view of a fastener tape showing my new design;  
FIG. 2 is a rear elevational view thereof;  
FIG. 3 is a left side view thereof;  
FIG. 4 is a right side view thereof;  
FIG. 5 is a top plan view thereof;  
FIG. 6 is a bottom plan view thereof;  
FIG. 7 is a perspective view thereof; and,  
FIG. 8 is another perspective view thereof.

See application file for complete search history.

**1 Claim, 7 Drawing Sheets**



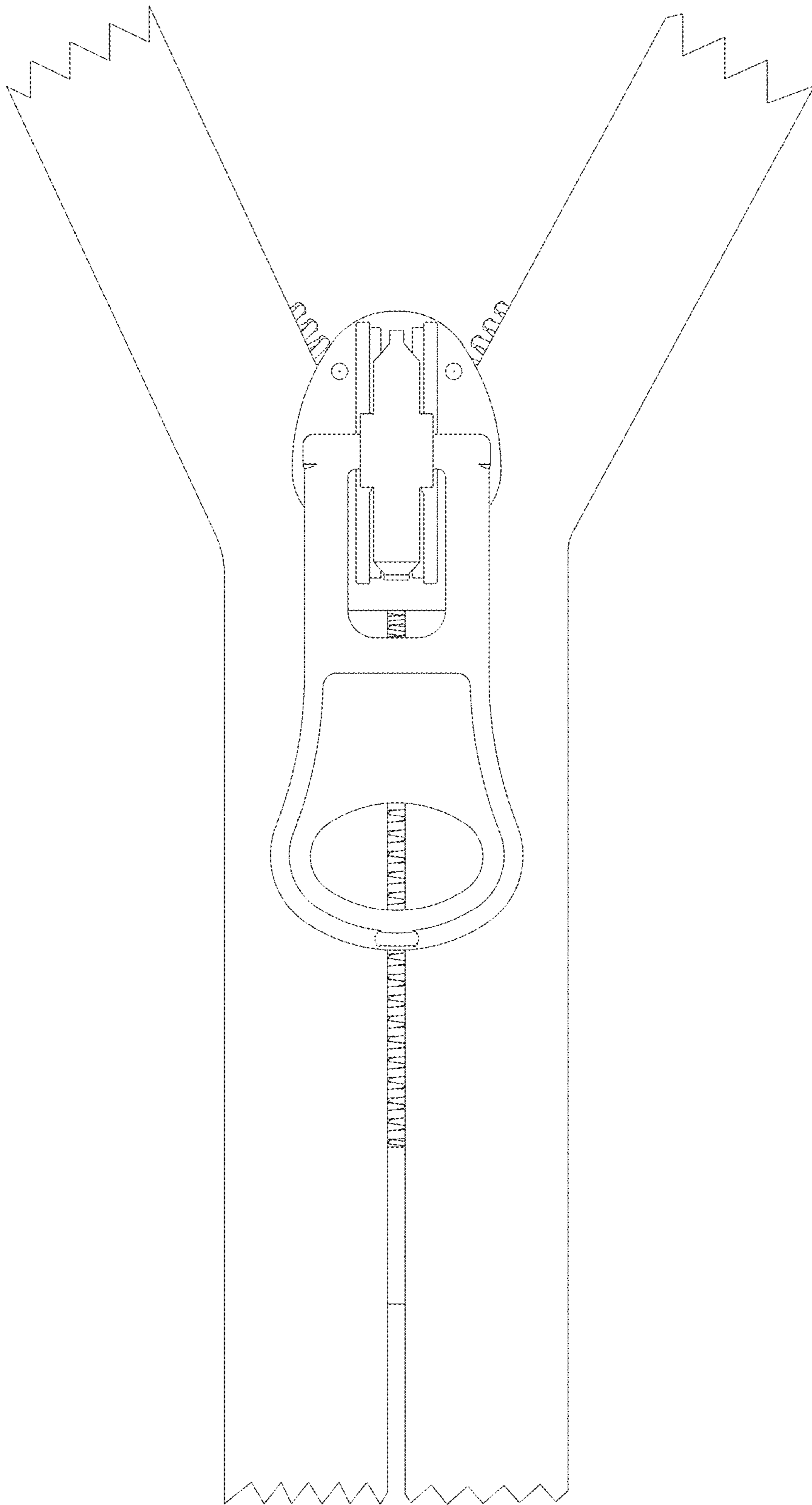


FIG. 1

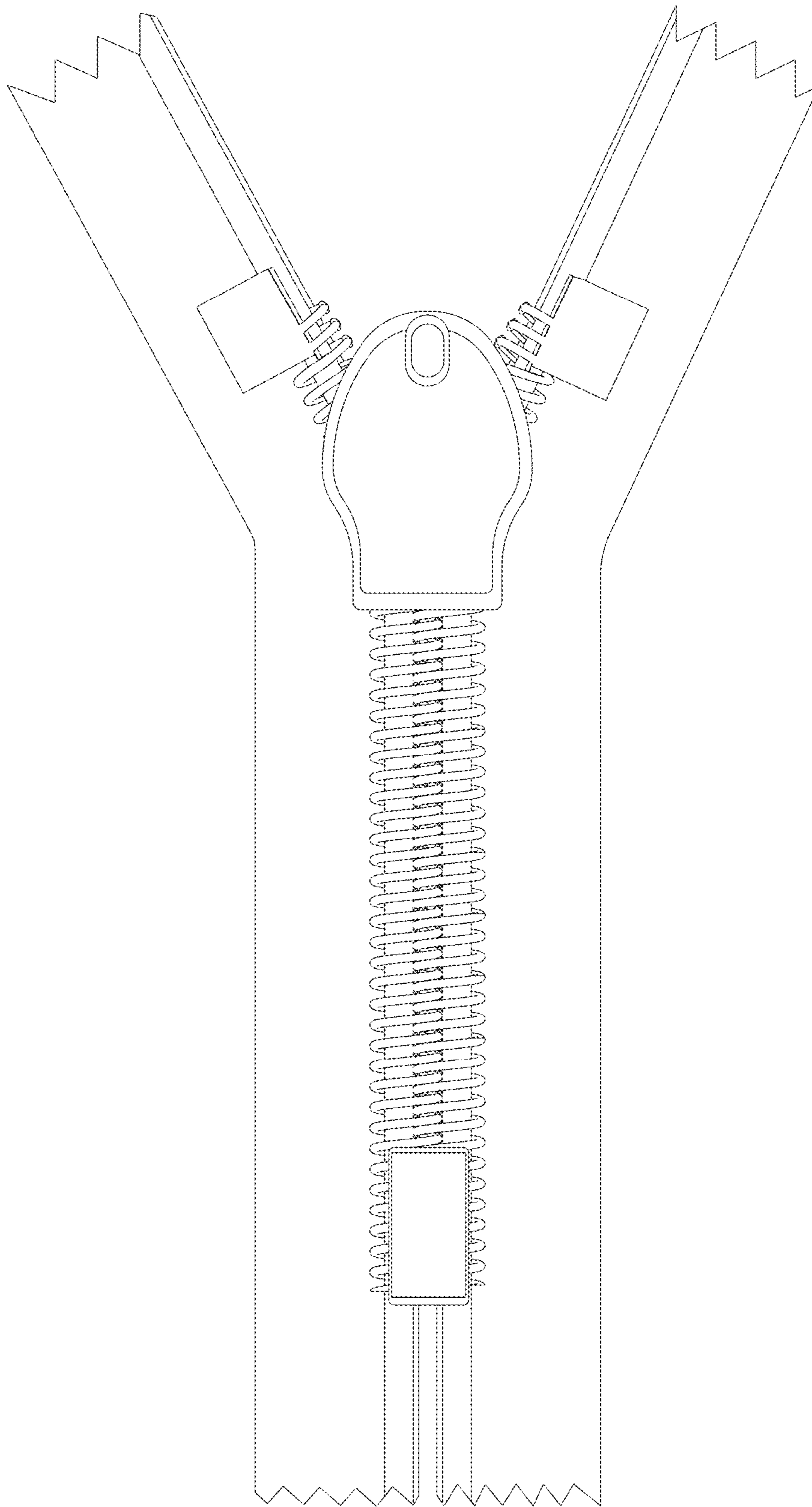


FIG. 2

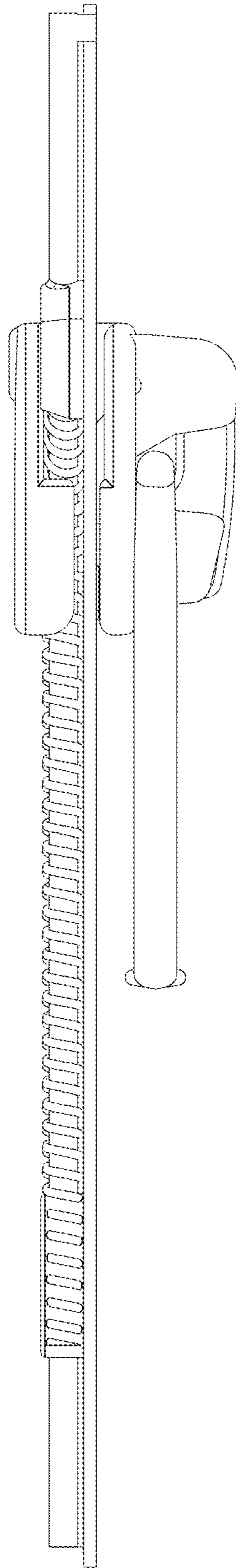


FIG. 3

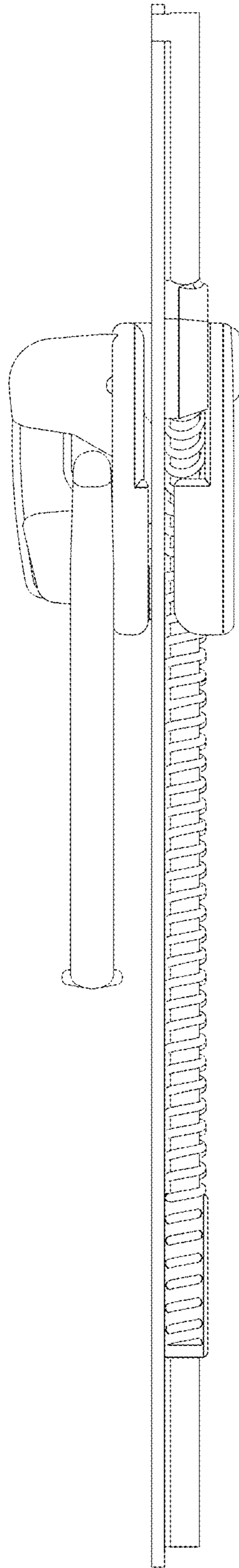


FIG. 4

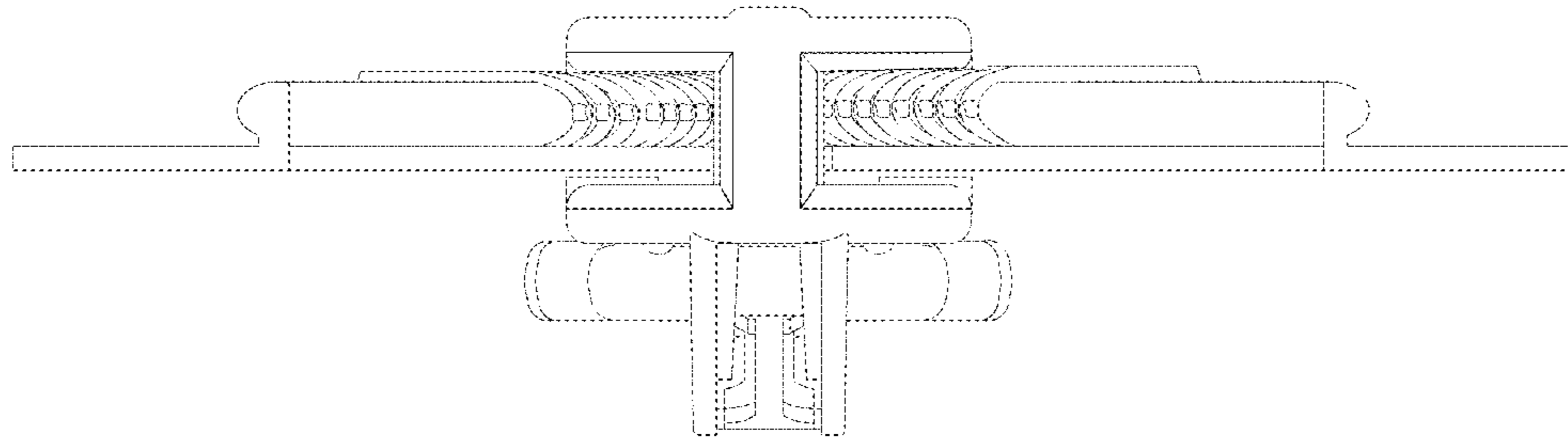


FIG. 5

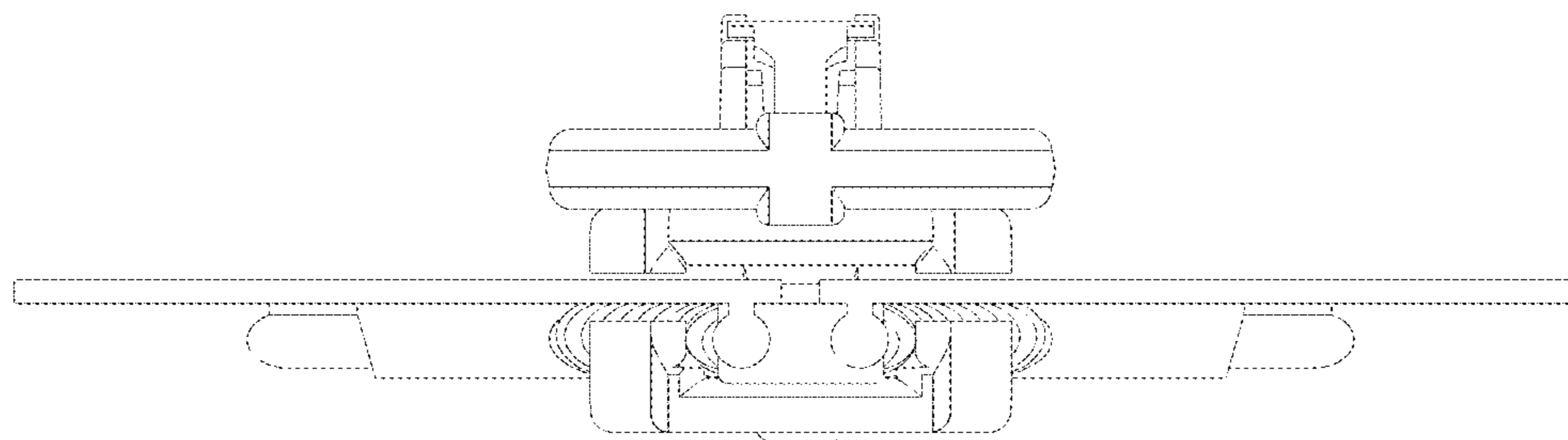


FIG. 6

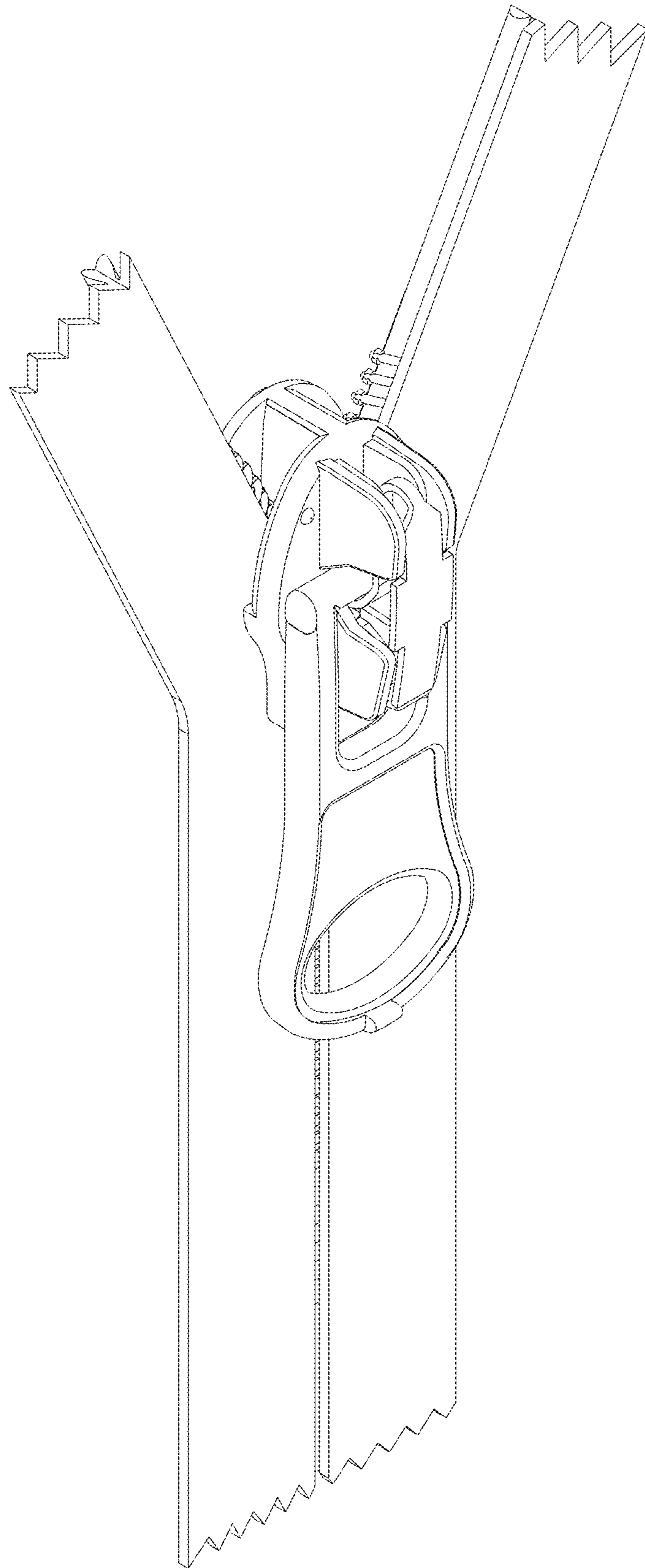


FIG. 7

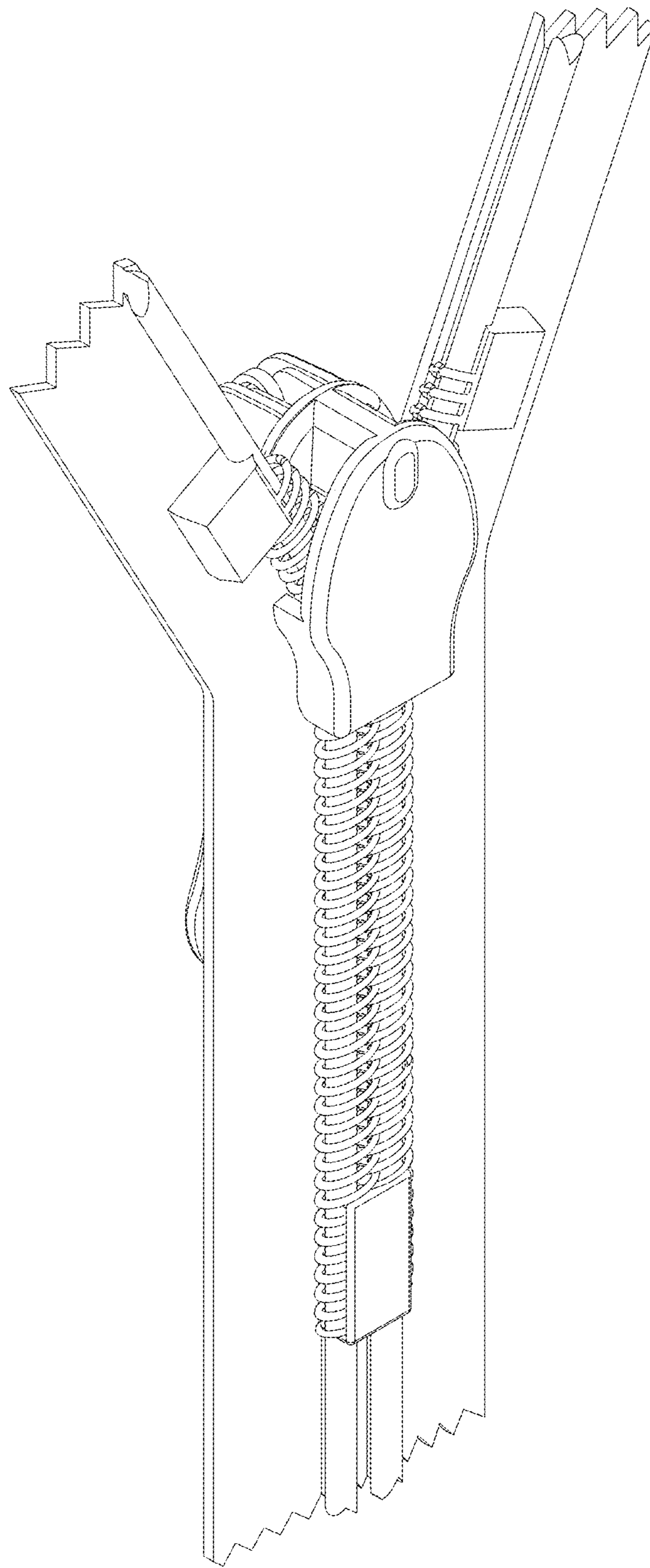


FIG. 8