



US00D780623S

(12) **United States Design Patent**
Inukai

(10) **Patent No.:** **US D780,623 S**
(45) **Date of Patent:** **** Mar. 7, 2017**

(54) **SLIDER COVER FOR A SLIDE FASTENER**

8,091,186 B2 * 1/2012 Takazawa A44B 19/32
24/389

(71) Applicant: **YKK Corporation**, Tokyo (JP)

D655,224 S * 3/2012 Hamada D11/221

(72) Inventor: **Takayuki Inukai**, Toyama (JP)

D659,051 S * 5/2012 Hamada D11/221

(73) Assignee: **YKK Corporation** (JP)

9,038,249 B2 * 5/2015 Keyaki A44B 19/26
24/427

(**) Term: **15 Years**

FOREIGN PATENT DOCUMENTS

(21) Appl. No.: **29/558,199**

JP D1521867 4/2015

(22) Filed: **Mar. 15, 2016**

* cited by examiner

(30) **Foreign Application Priority Data**

Primary Examiner — Ralf Seifert

Oct. 2, 2015 (JP) 2015-021691

(74) *Attorney, Agent, or Firm* — Kilpatrick Townsend & Stockton LLP

(51) **LOC (10) Cl.** **02-07**

(52) **U.S. Cl.**

USPC **D11/221**

(58) **Field of Classification Search**

USPC D11/200–201, 221; 24/381–383,
24/385–387, 414–417, 421–422, 419,
24/429, 431, 390, 432; 2/265; D2/641;
294/2, 3.6; 223/111

CPC A44B 19/00; A44B 19/02; A44B 19/04;
A44B 19/10; A44B 19/24; A44B 19/26;
A44B 19/30; A44B 19/06

See application file for complete search history.

(57) **CLAIM**

The ornamental design for a slider cover for a slide fastener, as shown and described.

(56) **References Cited**

U.S. PATENT DOCUMENTS

7,000,293 B2 * 2/2006 Lin A44B 19/26
24/415

7,386,921 B2 * 6/2008 Kojima A44B 19/26
24/427

DESCRIPTION

FIG. 1 is a perspective view of the front, bottom and right side of a slider cover for a slide fastener, showing my new design;

FIG. 2 is a front view thereof;

FIG. 3 is a rear view thereof;

FIG. 4 is a right side view thereof, the left side view being a mirror image thereof;

FIG. 5 is a top plan view thereof; and,

FIG. 6 is a bottom view thereof.

1 Claim, 5 Drawing Sheets

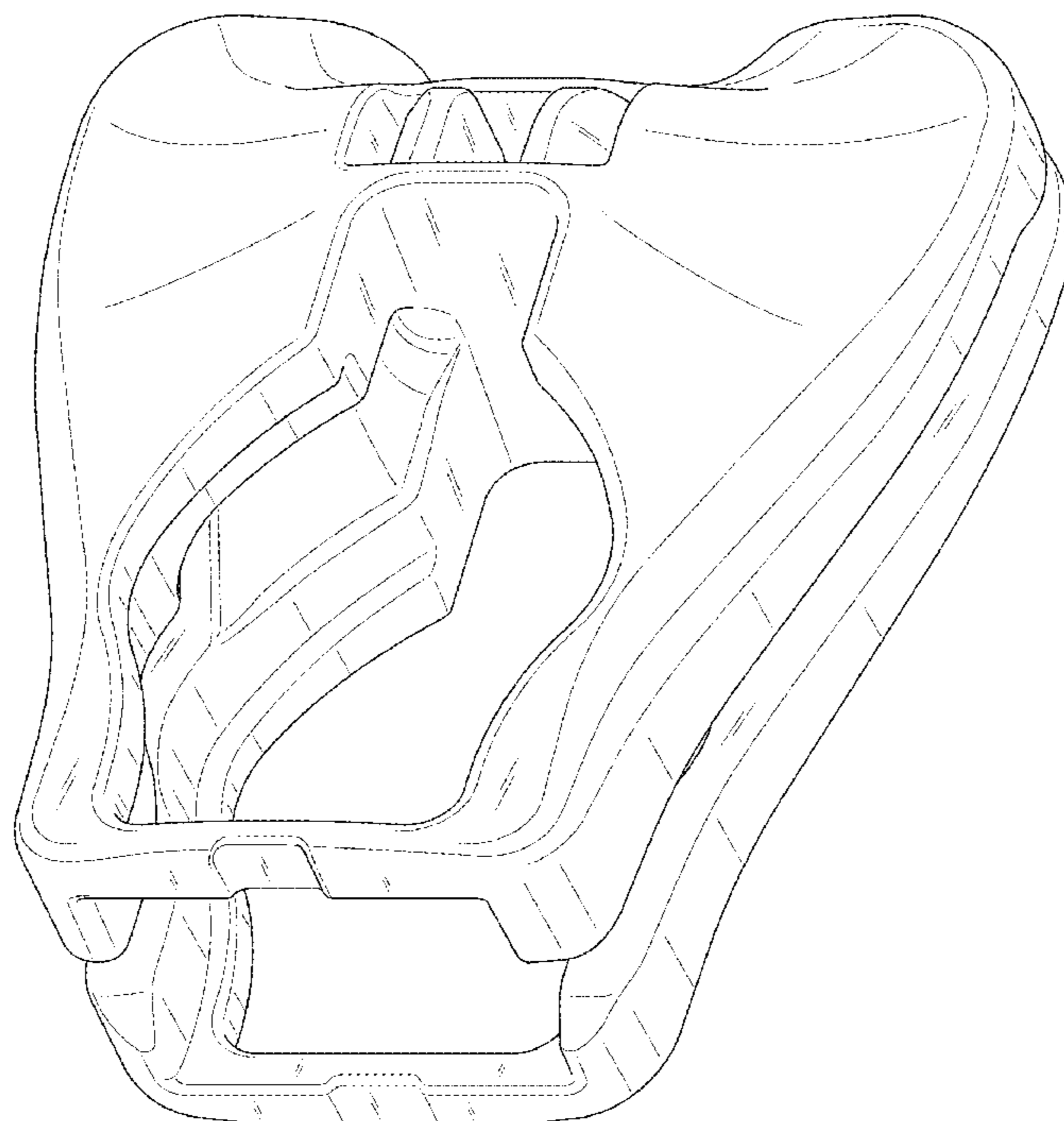


Fig. 1

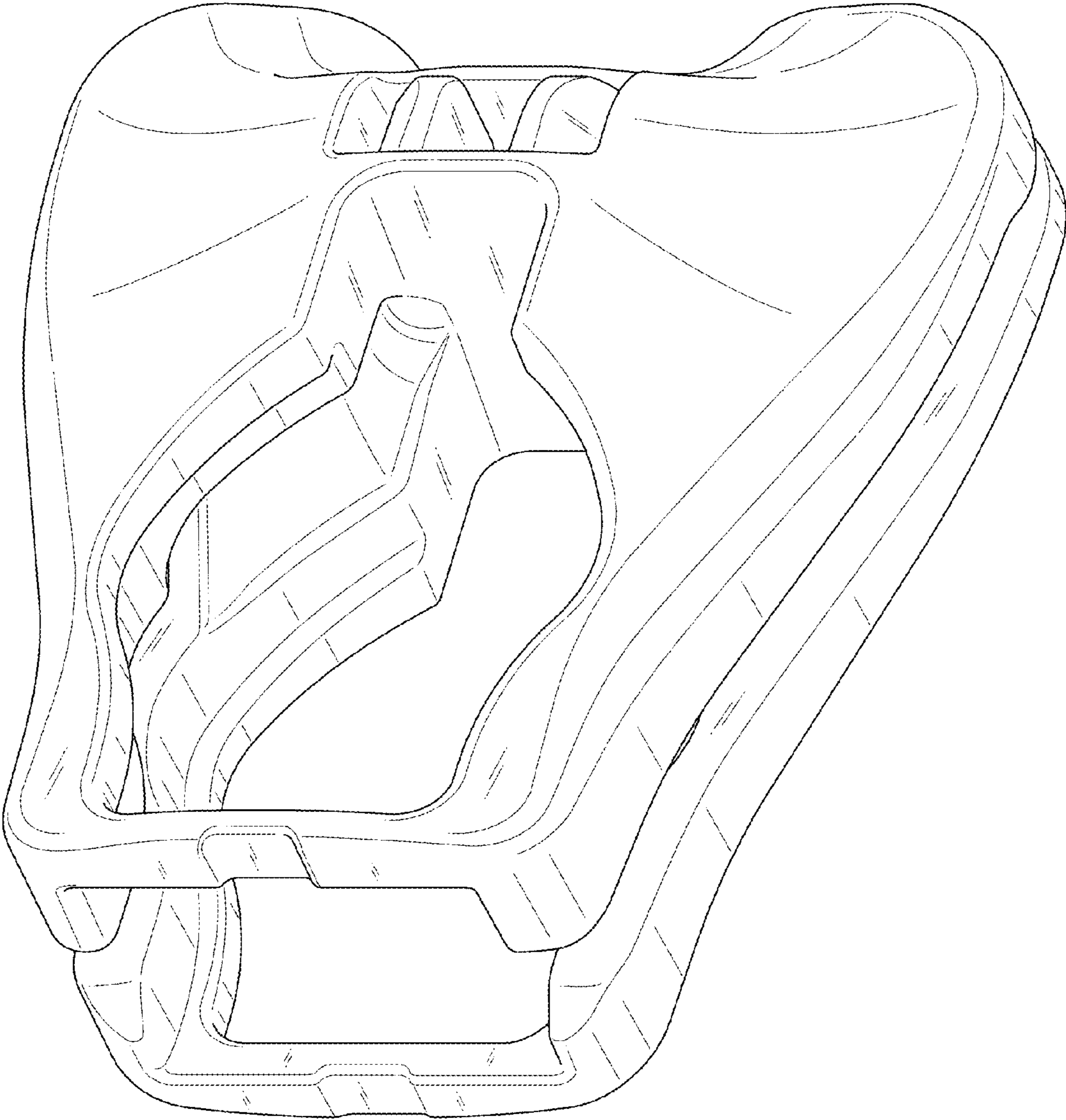


Fig. 2

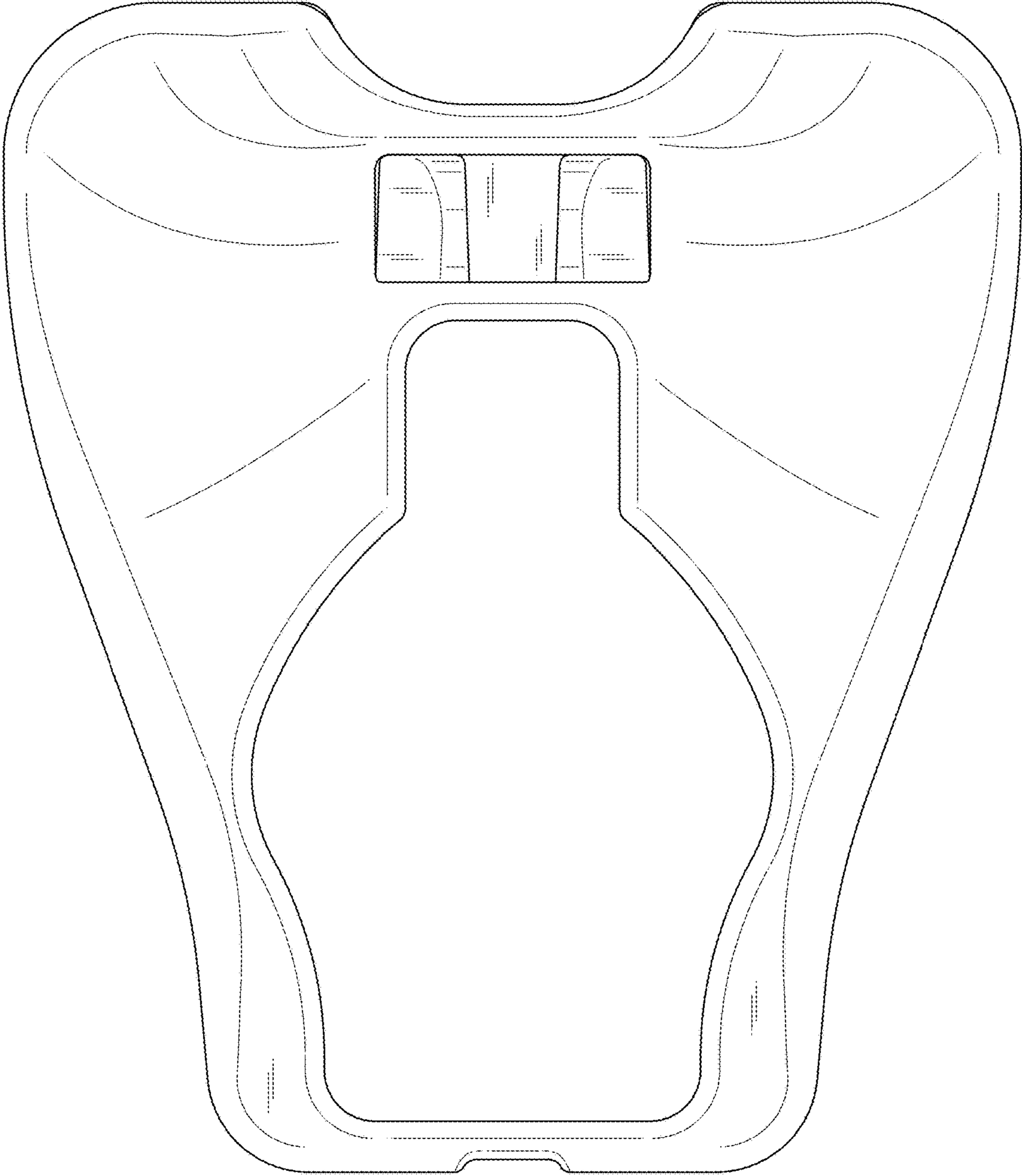


Fig. 3

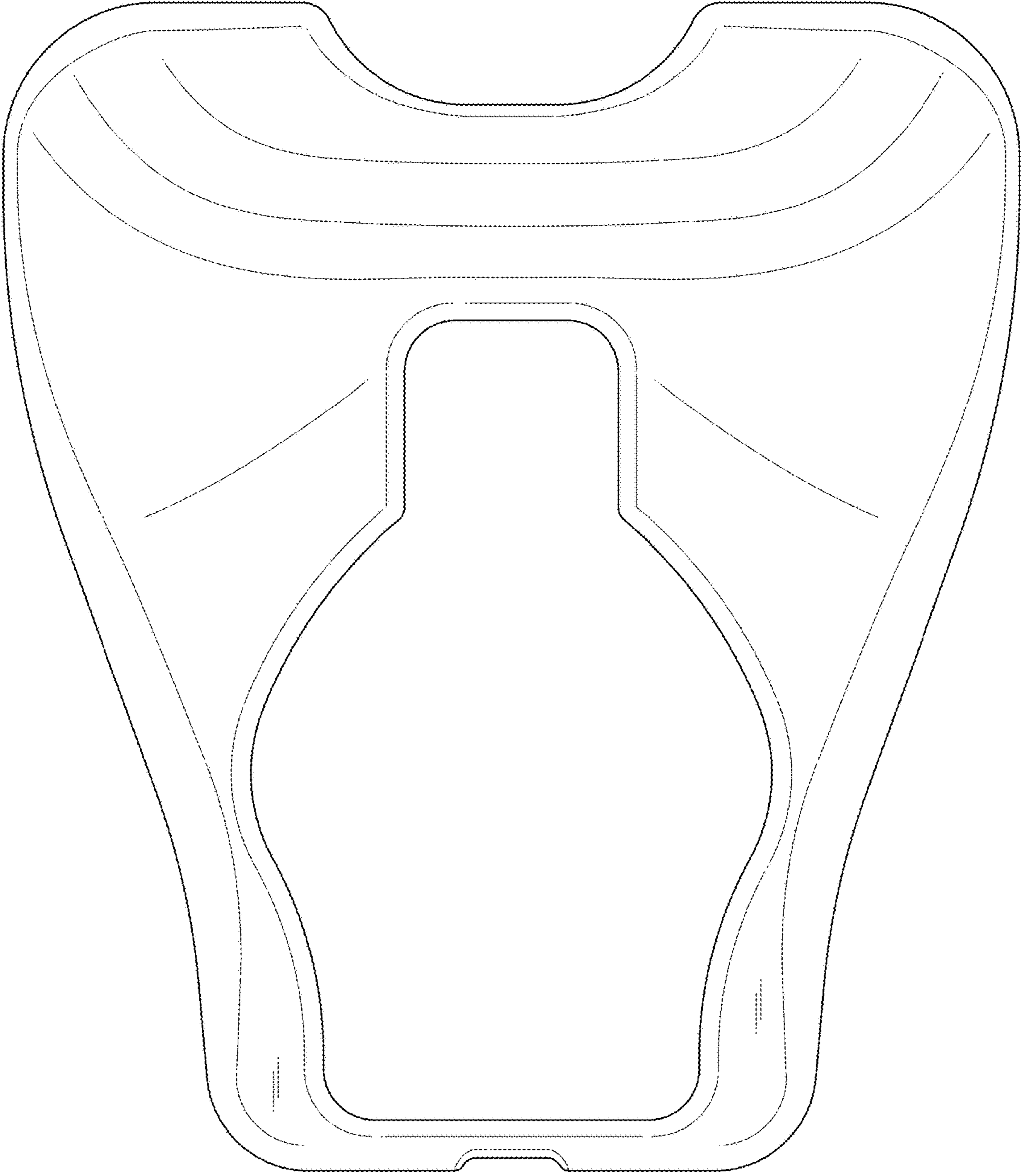


Fig. 4

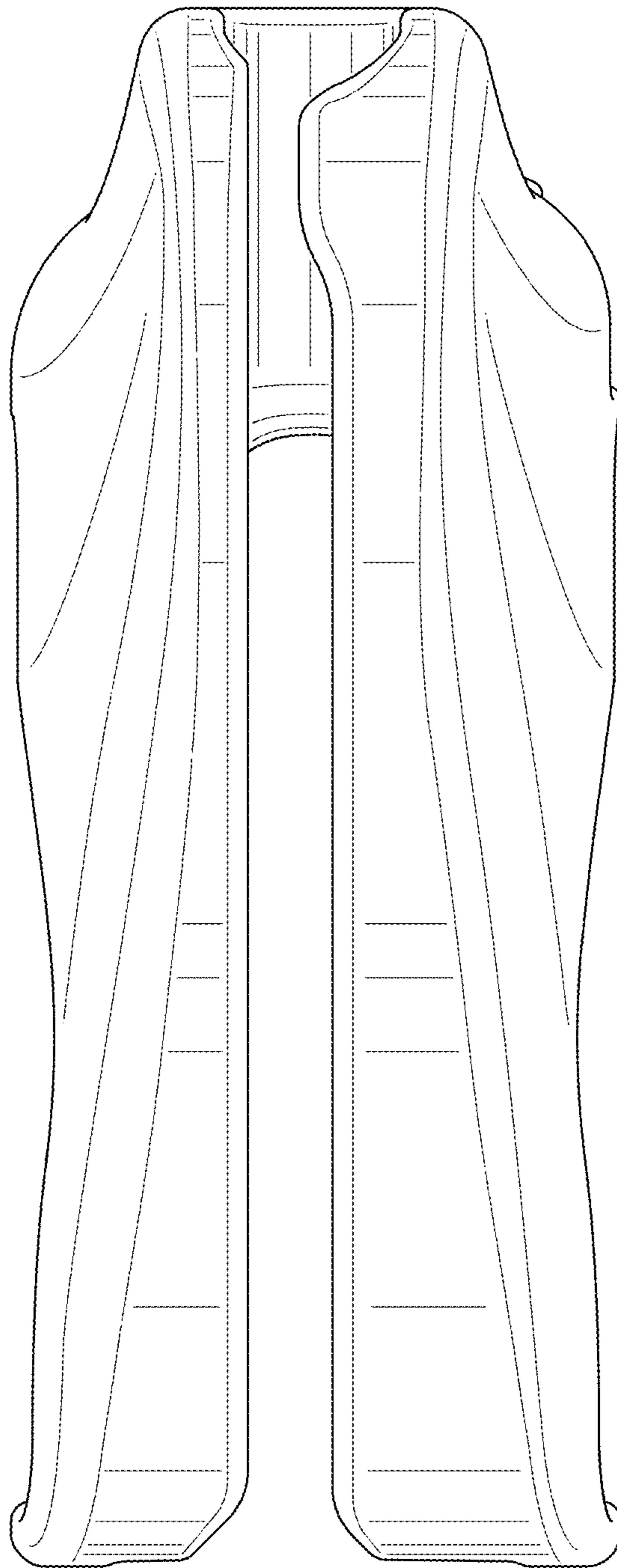


Fig. 5

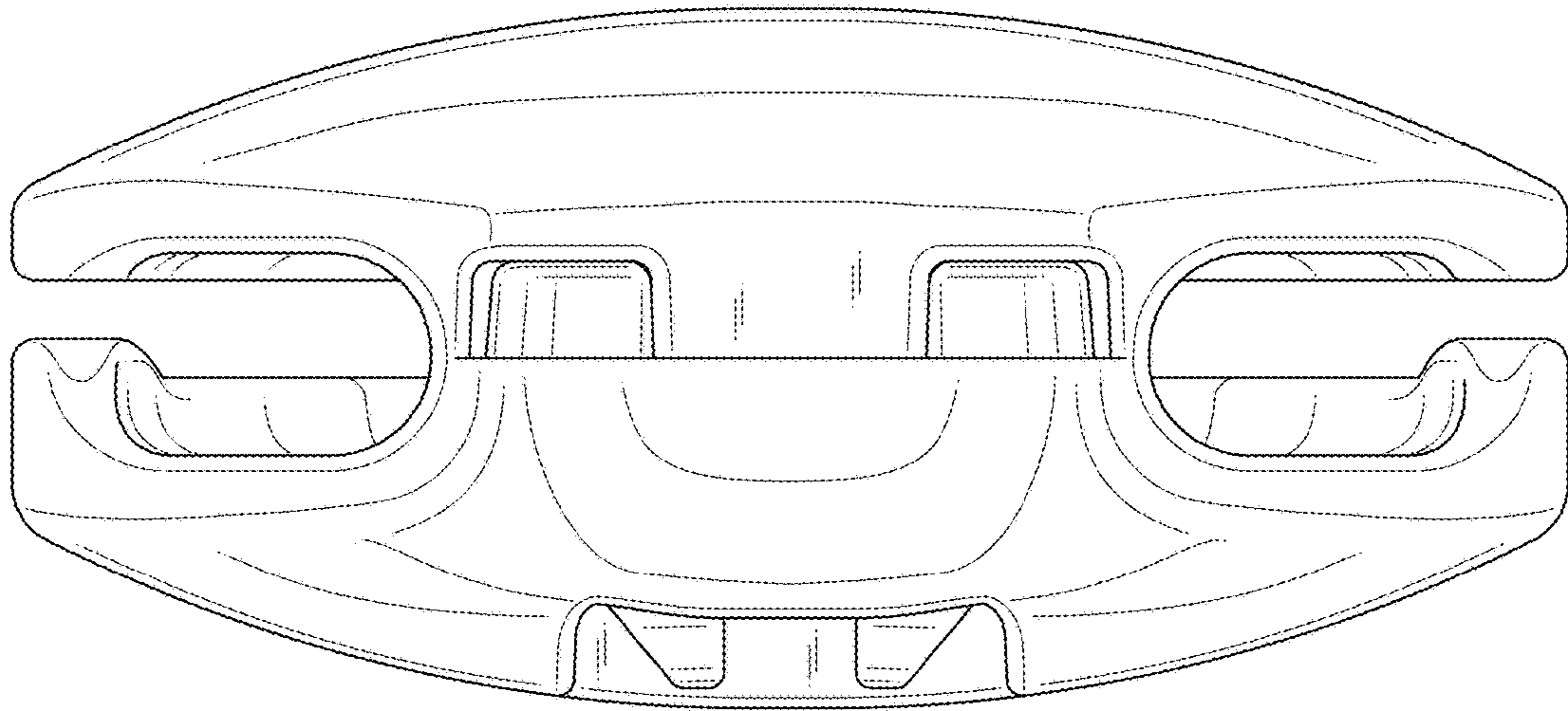


Fig. 6

