



US00D780622S

(12) **United States Design Patent** (10) **Patent No.:** **US D780,622 S**
Lin (45) **Date of Patent:** **** Mar. 7, 2017**

(54) **ZIPPER HEAD** 6,622,351 B2 * 9/2003 Takasawa A44B 19/26
24/389
(71) Applicant: **CHUNG CHWAN ENTERPRISE** D484,829 S * 1/2004 Yamamoto D11/221
CO., LTD., Taoyuan (TW) D499,668 S * 12/2004 Iwase D11/221
D612,293 S * 3/2010 Cossutti D11/221
(72) Inventor: **Yu-Pau Lin,** Taoyuan (TW) D627,683 S * 11/2010 Ynna D11/221
8,112,848 B2 * 2/2012 Takazawa A44B 19/26
24/389
(73) Assignee: **CHUNG CHWAN ENTERPRISE** 8,931,145 B1 * 1/2015 Liao A44B 19/262
CO., LTD., Taoyuan (TW) 24/429
9,498,027 B2 * 11/2016 Chen A44B 19/262
(**) Term: **15 Years** * cited by examiner

(21) Appl. No.: **29/549,305**

Primary Examiner — Ralf Seifert

(22) Filed: **Dec. 21, 2015**

(74) *Attorney, Agent, or Firm* — Li & Cai Intellectual Property (USA) Office

(51) **LOC (10) Cl.** **02-07**

(52) **U.S. Cl.**

(57) **CLAIM**

USPC **D11/221**

The ornamental design for a “zipper head,” as shown and described.

(58) **Field of Classification Search**

DESCRIPTION

USPC D11/200–201, 221; 24/381–383,
24/385–387, 414–417, 421–422, 419,
24/429, 431; 2/265; D2/641; 294/2, 3.6;
223/111

FIG. 1 is a perspective view of a zipper head showing our new design;
FIG. 2 is a front view thereof;
FIG. 3 is a rear view thereof;
FIG. 4 is a left side view thereof;
FIG. 5 is a right side view thereof;
FIG. 6 is a top view thereof;
FIG. 7 is a bottom view thereof; and,
FIG. 8 is a perspective view viewed from another visual angle thereof.

CPC A44B 19/00; A44B 19/02; A44B 19/04;
A44B 19/10; A44B 19/24; A44B 19/26;
A44B 19/30; A44B 19/06

See application file for complete search history.

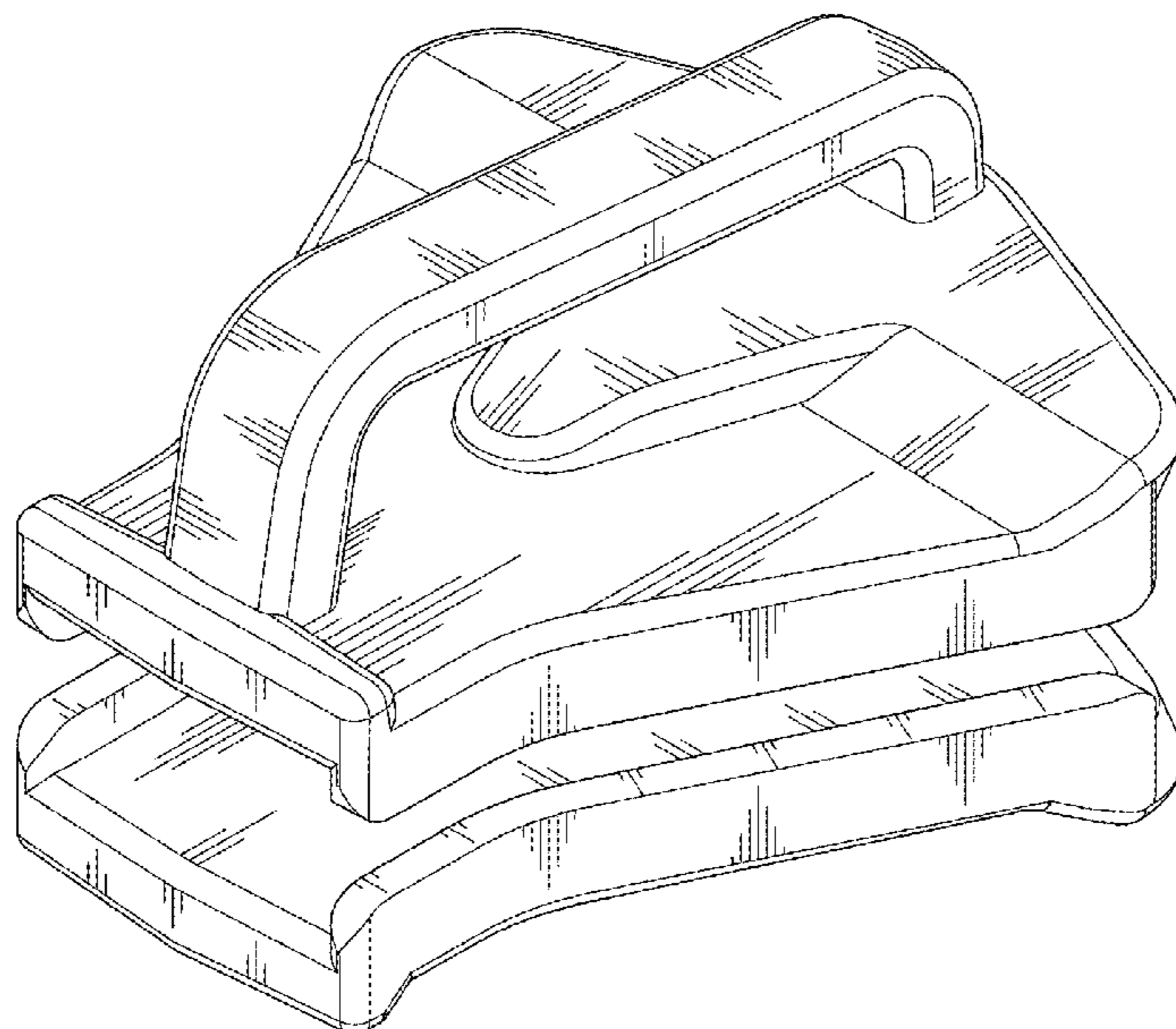
The broken lines are shown for the purpose of illustrating environmental structure that forms no part of the claimed design.

(56) **References Cited**

U.S. PATENT DOCUMENTS

4,590,648 A * 5/1986 Yoshida A44B 19/26
24/415
5,007,144 A * 4/1991 Terada A44B 19/26
24/415
5,860,192 A * 1/1999 Chung A44B 19/262
24/429

1 Claim, 8 Drawing Sheets



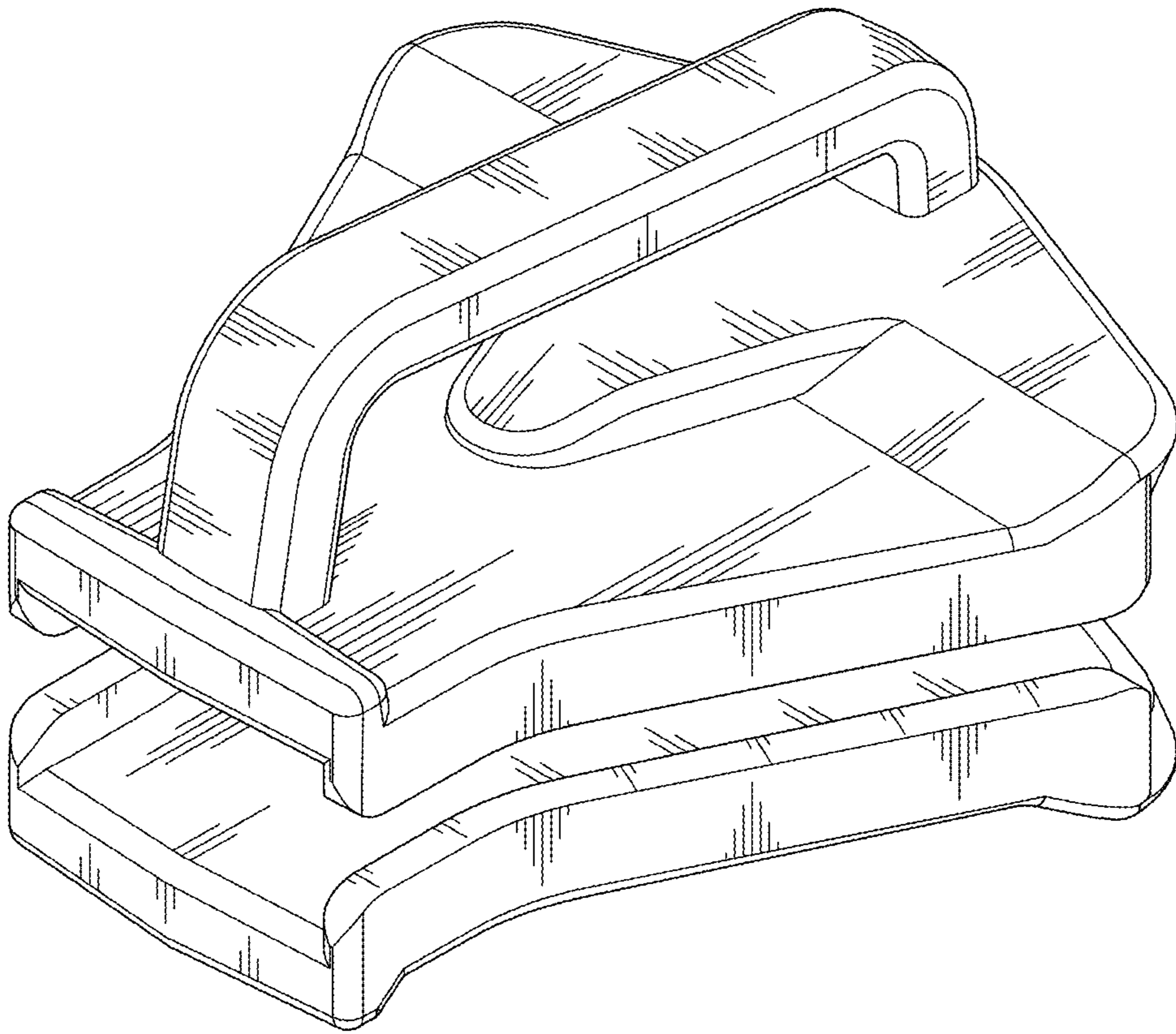


FIG.1

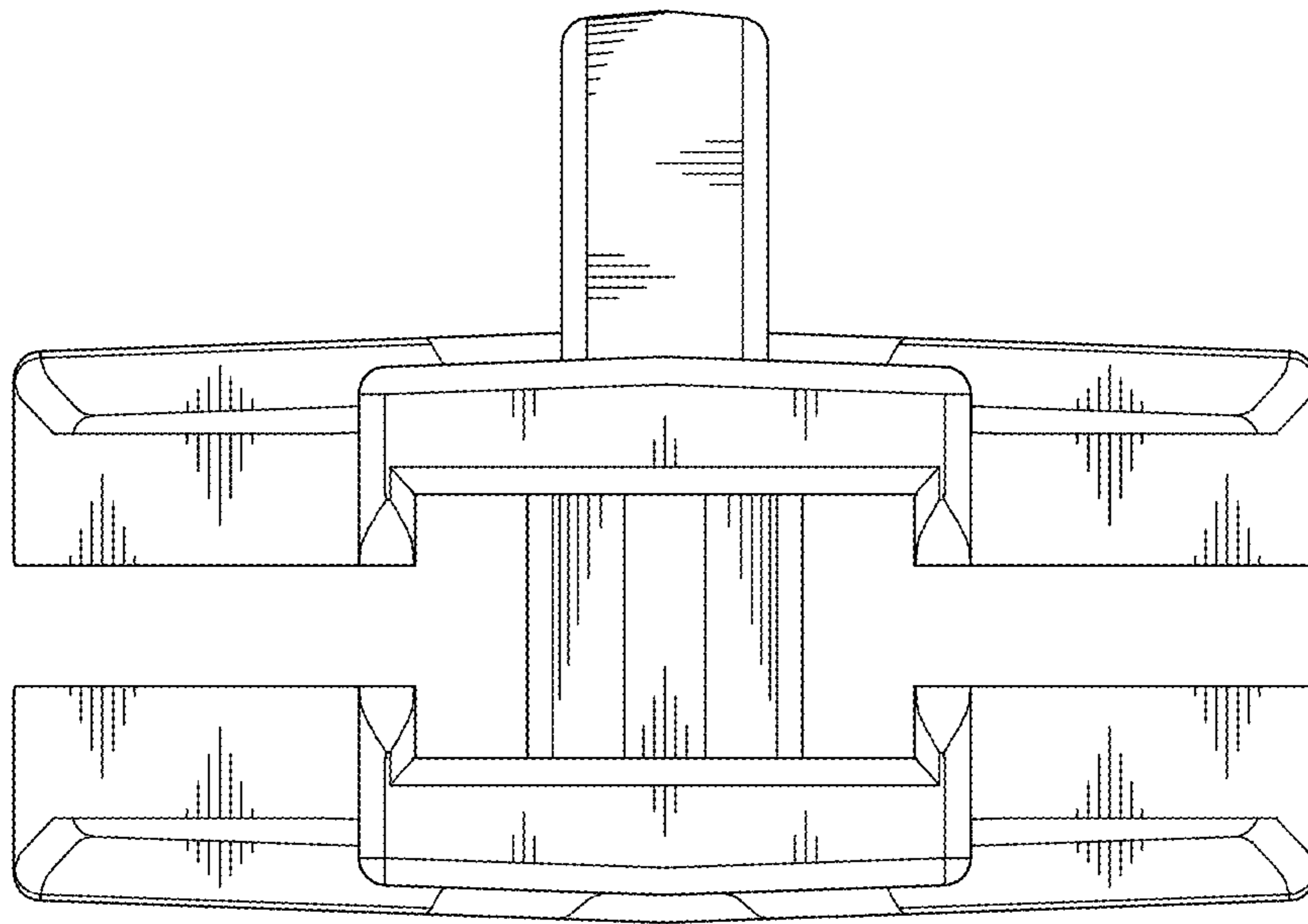


FIG.2

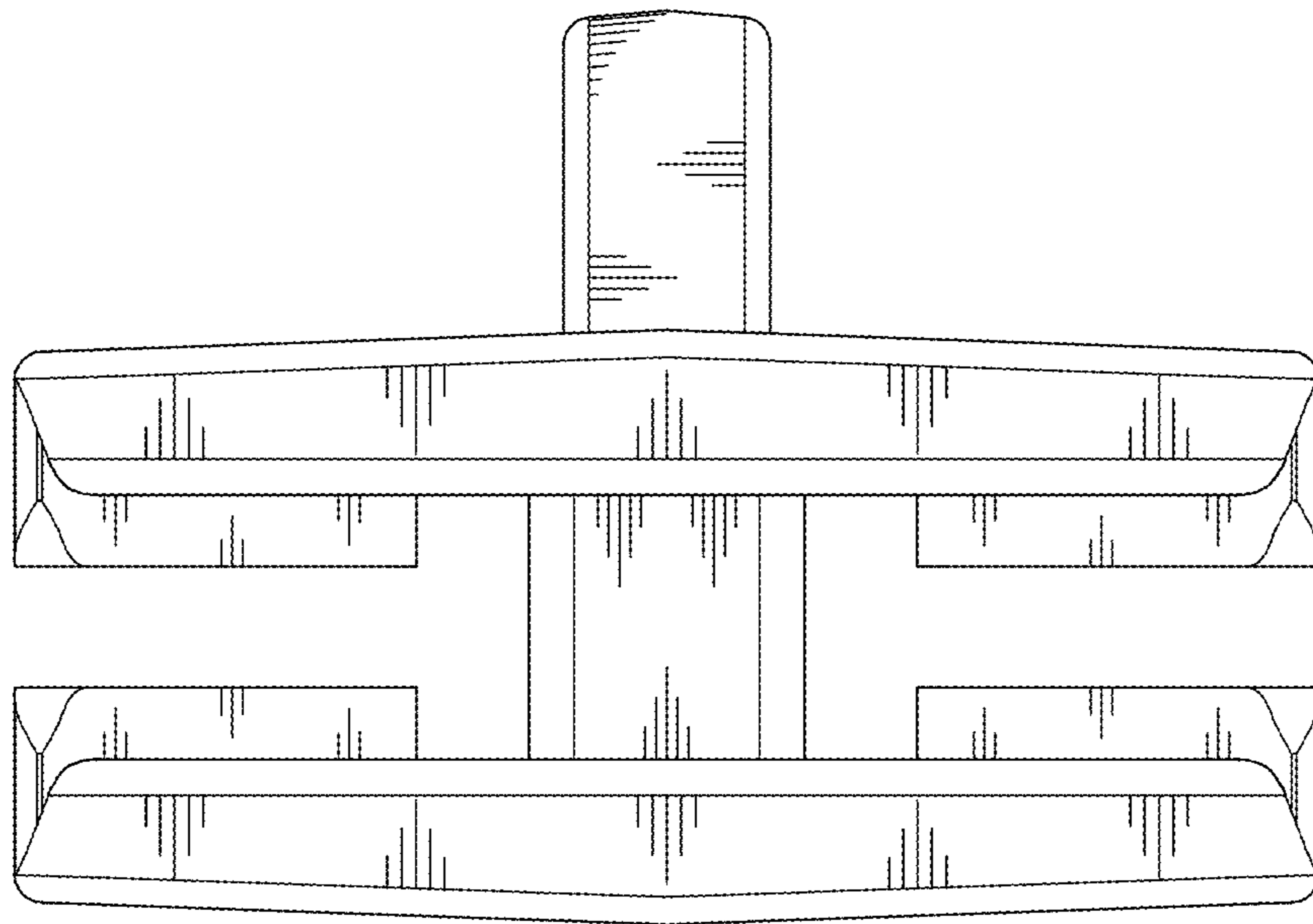


FIG.3

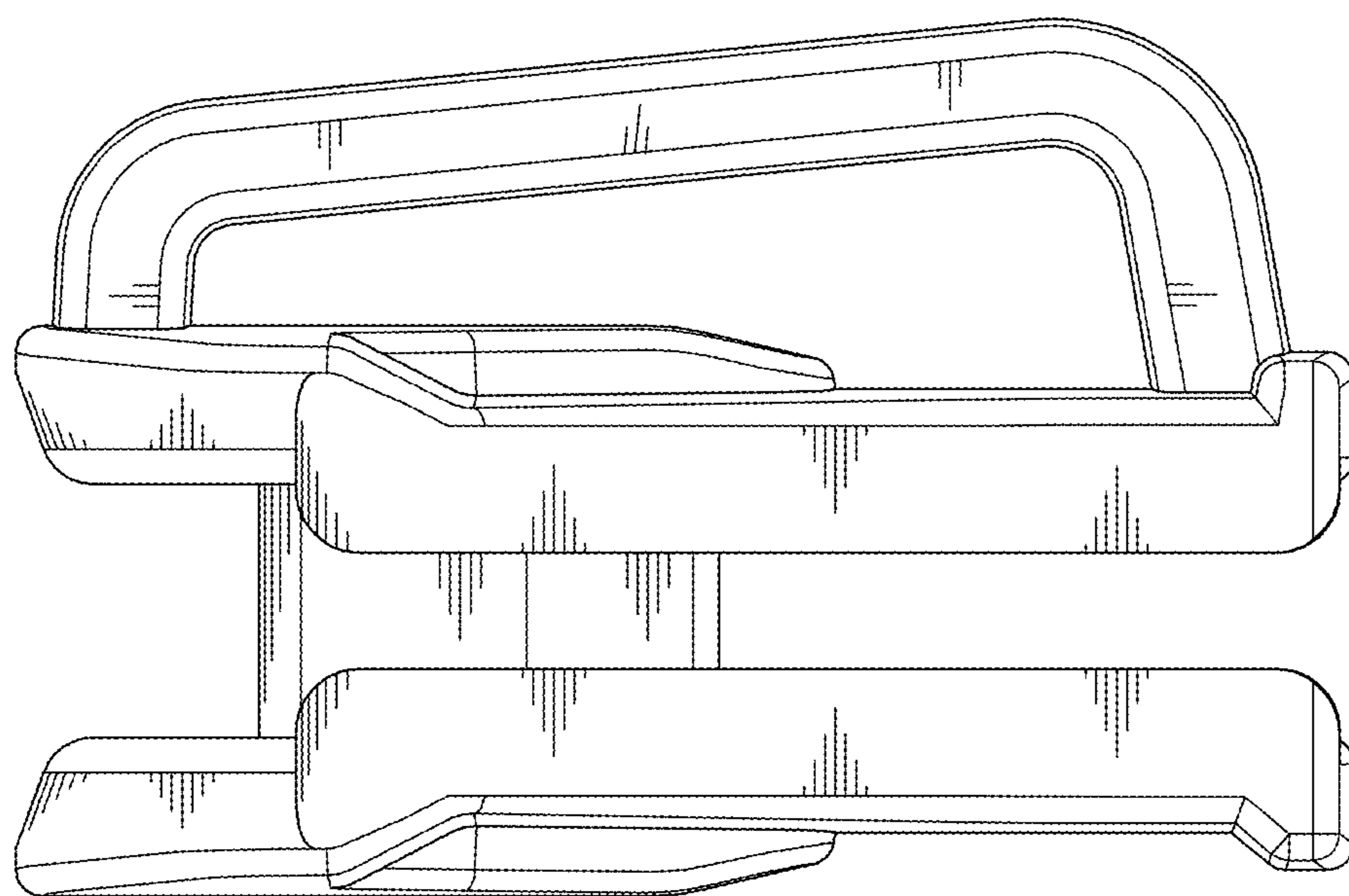


FIG.4

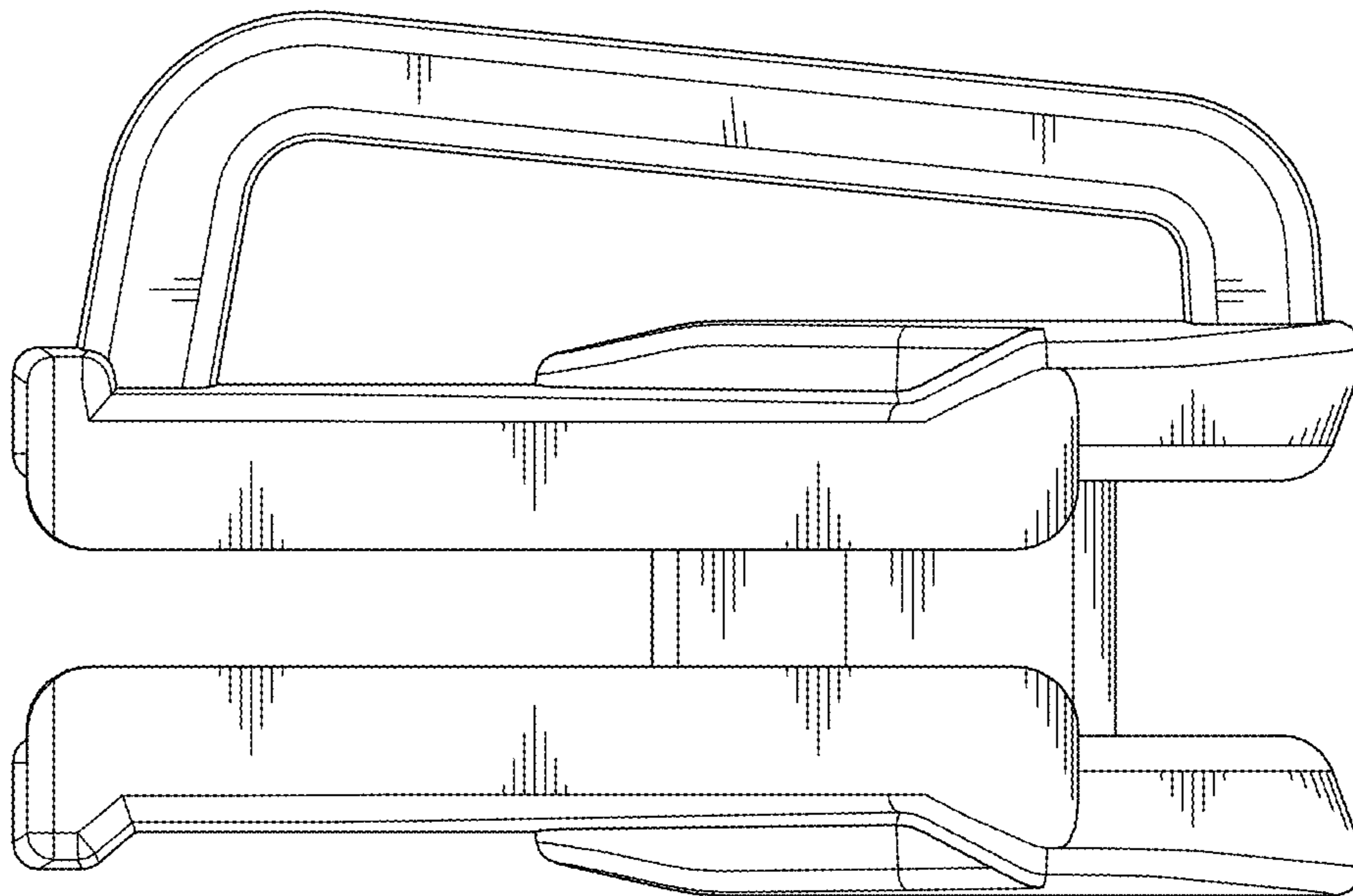


FIG.5

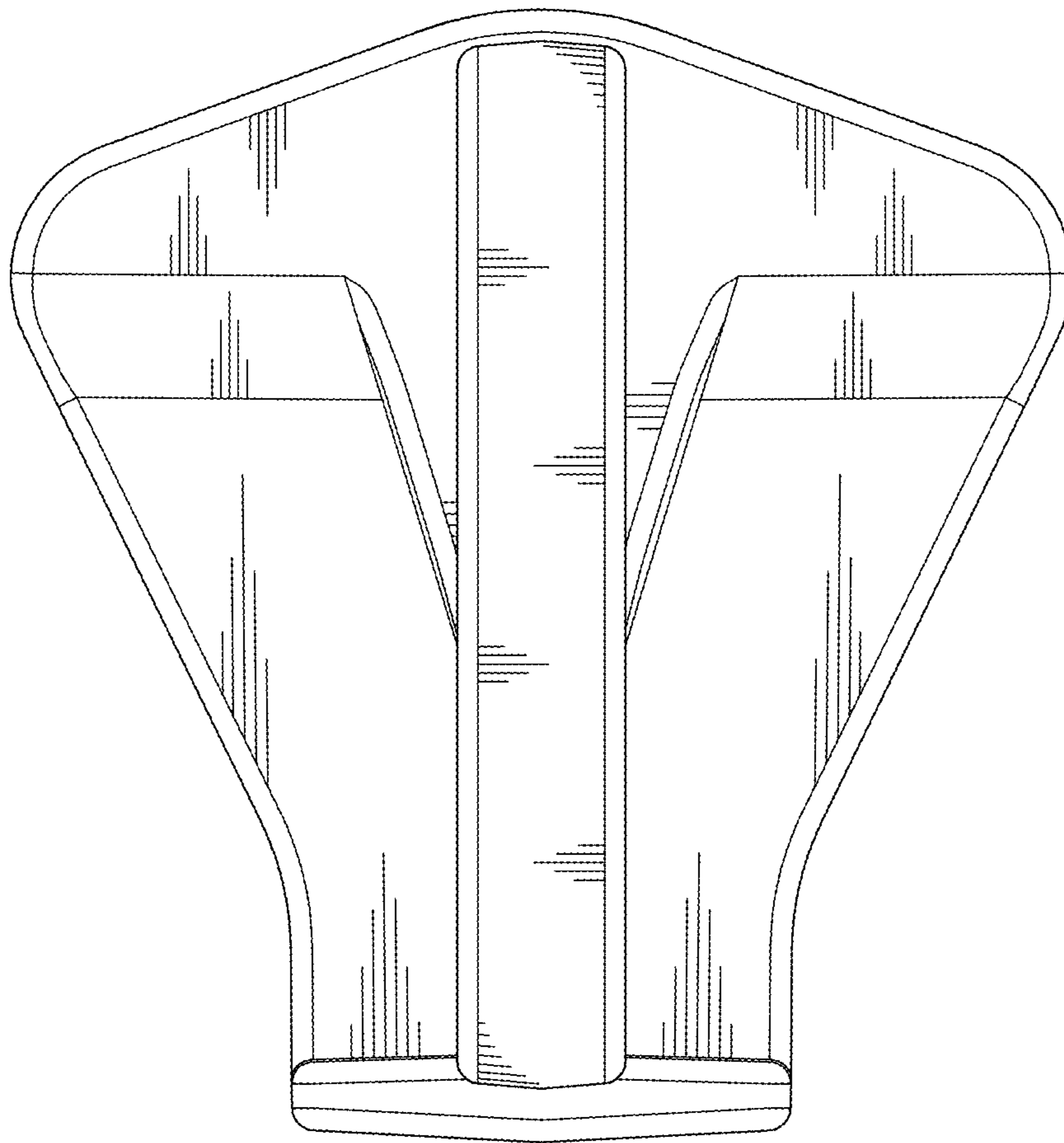


FIG.6

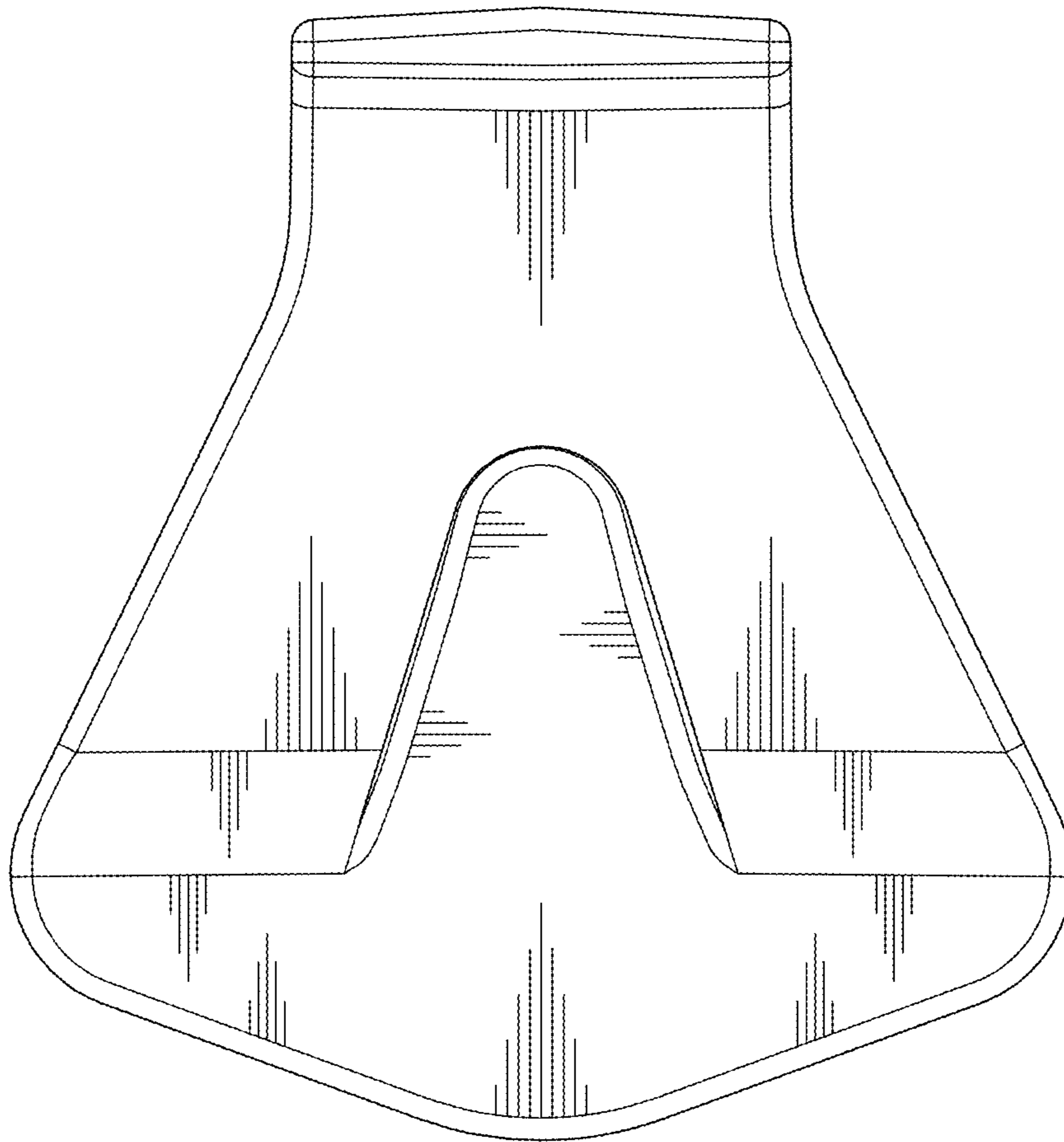


FIG.7

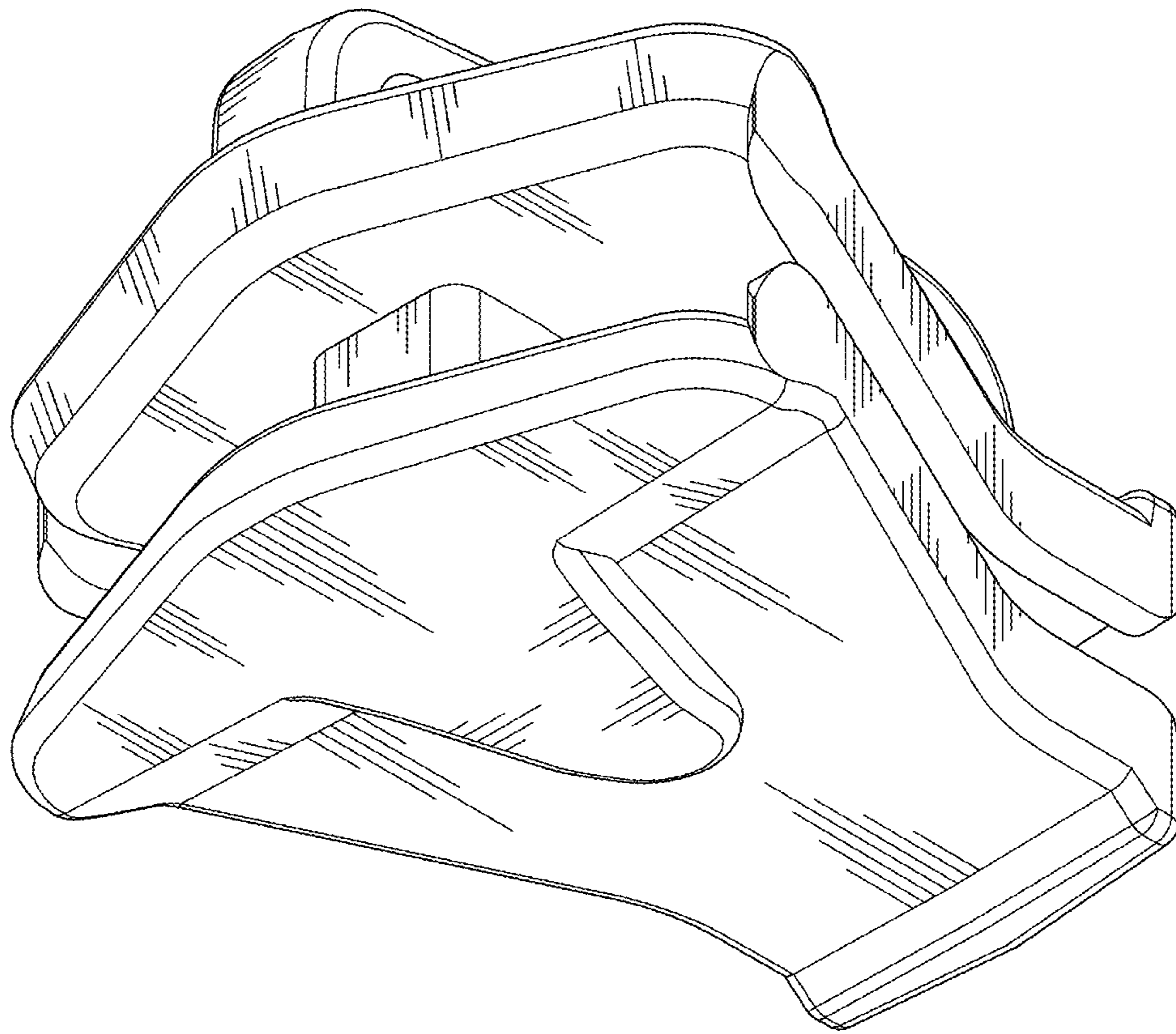


FIG.8