



US00D780615S

(12) **United States Design Patent**
Baker et al.

(10) **Patent No.:** **US D780,615 S**

(45) **Date of Patent:** **** Mar. 7, 2017**

(54) **WEARABLE RING**

(71) Applicant: **QALO LLC**, Los Angeles, CA (US)

(72) Inventors: **Patrick Baker**, Los Angeles, CA (US);
Kyle Holiday, Tustin, CA (US)

(73) Assignee: **Qalo LLC**, Santa Ana, CA (US)

(**) Term: **15 Years**

(21) Appl. No.: **29/537,019**

(22) Filed: **Aug. 21, 2015**

(51) **LOC (10) Cl.** **11-01**

(52) **U.S. Cl.**
USPC **D11/26**

(58) **Field of Classification Search**
USPC D11/1, 2, 3, 4, 5, 26-39, 91, 92, 84, 67
CPC A44C 5/00; A44C 5/0007; A44C 5/0015;
A44C 5/003; A44C 5/0053; A44C 9/00;
A44C 9/0007; A44C 9/0014; A44C
9/0023; A44C 9/003; A44C 9/0038; A44C
9/0046; A44C 9/0053; A44C 9/0061;
A44C 9/0069; A44C 9/0076; A44C
17/0258; A44C 17/0266; A44C 17/0275;
A44C 17/0283; A44C 17/02; A44C
17/0208

See application file for complete search history.

(56) **References Cited**

U.S. PATENT DOCUMENTS

2,653,402 A * 9/1953 Bonagura A44C 9/00
40/618
D245,154 S * 7/1977 Unertl D11/26

D318,249 S * 7/1991 Pond D11/31
D602,802 S * 10/2009 Papadimitriou D11/26
D687,334 S * 8/2013 Hertrich D11/26
D750,994 S * 3/2016 Baker D11/26
D751,447 S * 3/2016 Baker D11/26
2002/0043077 A1* 4/2002 Boyadjian A44C 5/0069
63/3
2007/0151295 A1* 7/2007 Picardi A44C 27/00
63/15.4
2013/0305782 A1* 11/2013 Butler A44C 5/20
63/12
2013/0330996 A1* 12/2013 Benevento A63H 33/00
446/71
2014/0102135 A1* 4/2014 German A44C 5/0007
63/1.11

* cited by examiner

Primary Examiner — Melanie Pellegrini

(74) *Attorney, Agent, or Firm* — Gabriel & Pelaez, PLLC;
Michael G. Gabriel

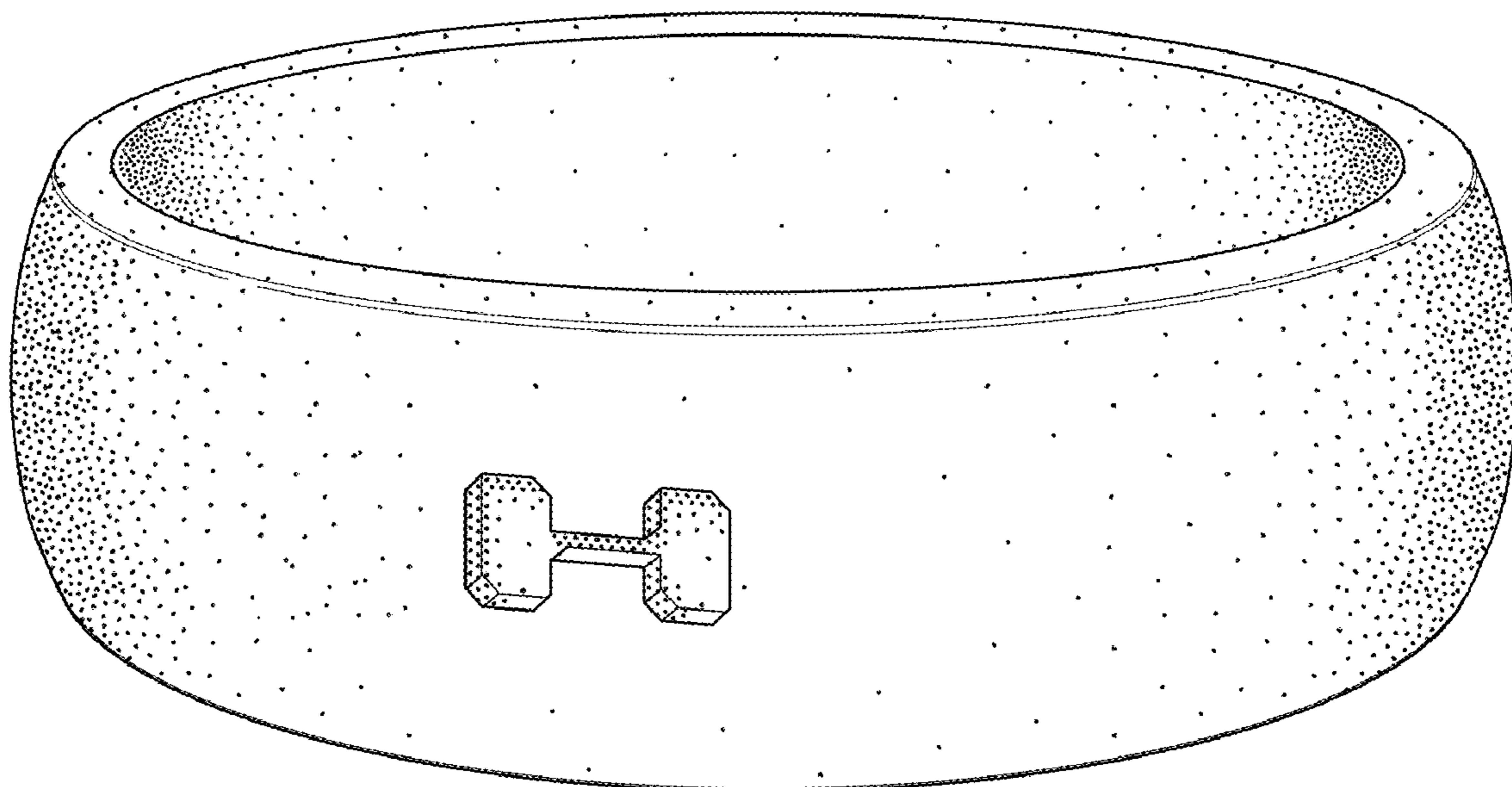
(57) **CLAIM**

The ornamental design for a wearable ring, as shown and described.

DESCRIPTION

FIG. 1 is a top, front, right perspective view of a wearable ring showing our new design;
FIG. 2 is a right side view thereof, wherein the left side is a mirror image of FIG. 2;
FIG. 3 is a top view thereof;
FIG. 4 is a front view thereof; and,
FIG. 5 is a rear view thereof.

1 Claim, 5 Drawing Sheets



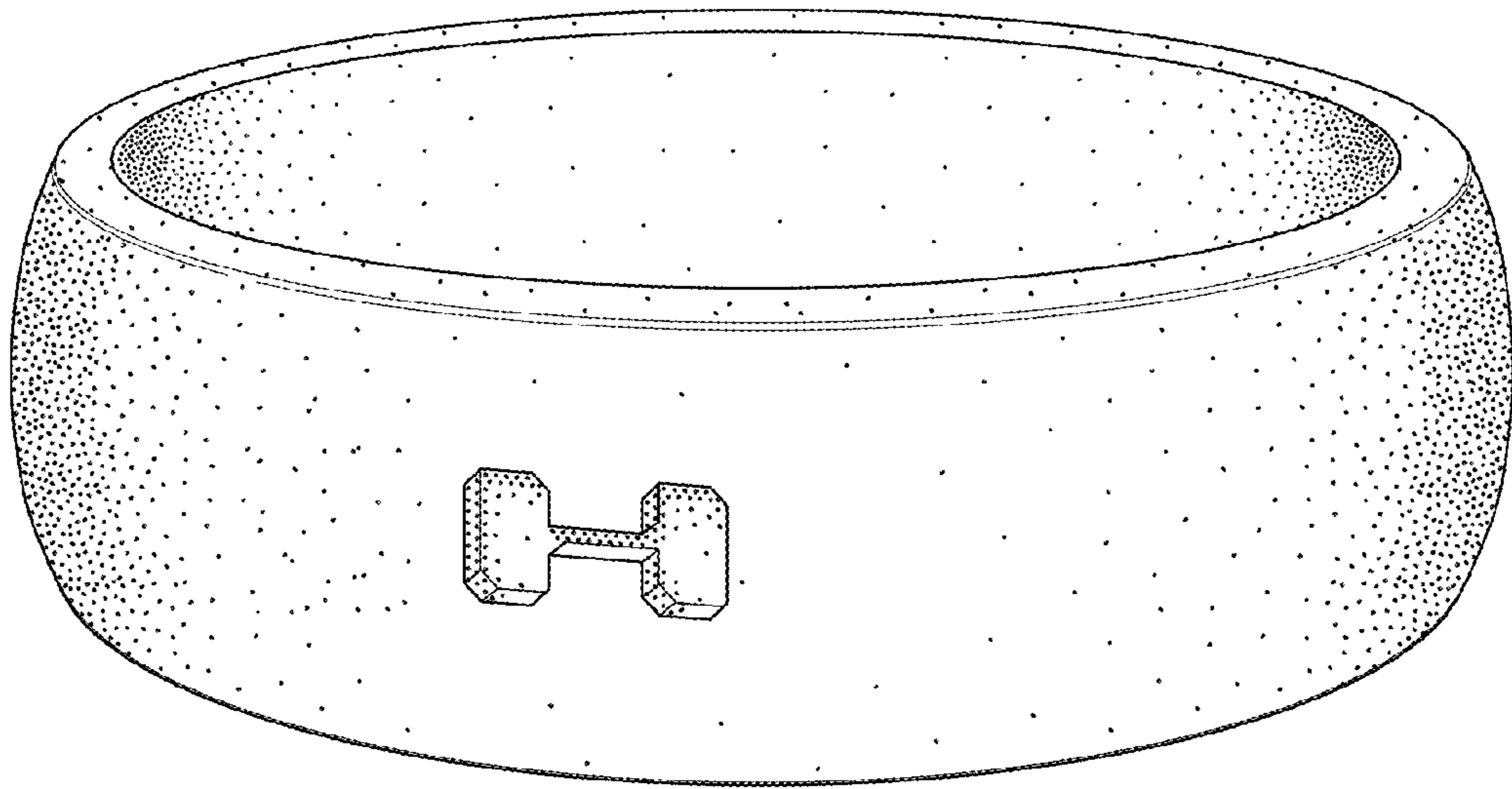


FIG. 1

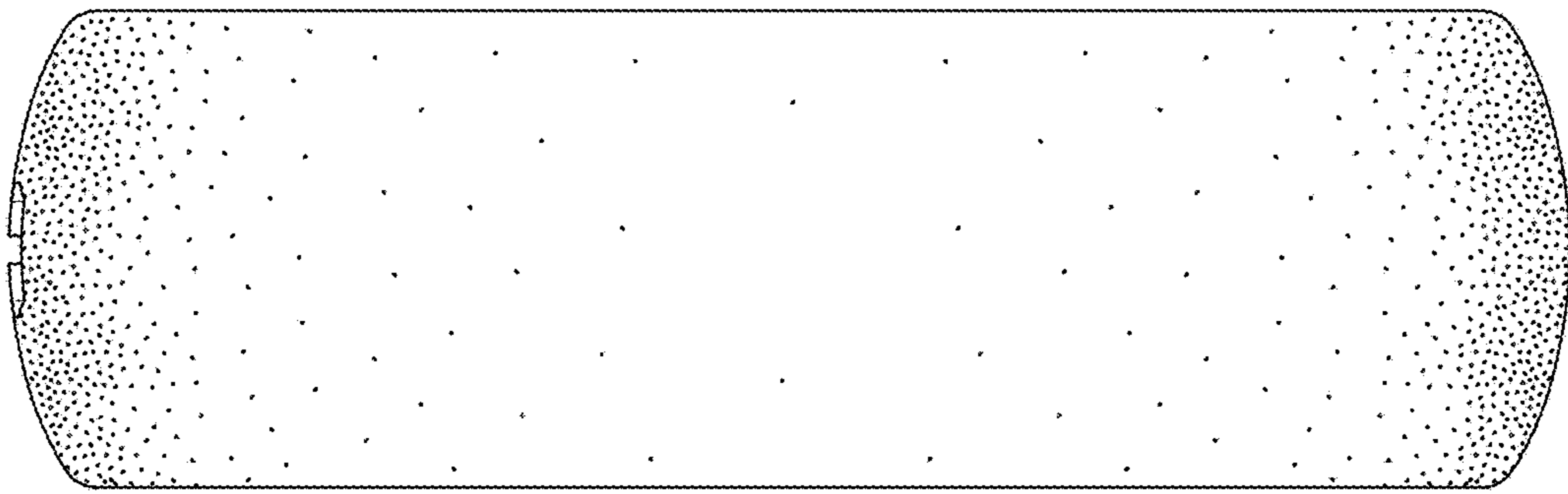


FIG. 2

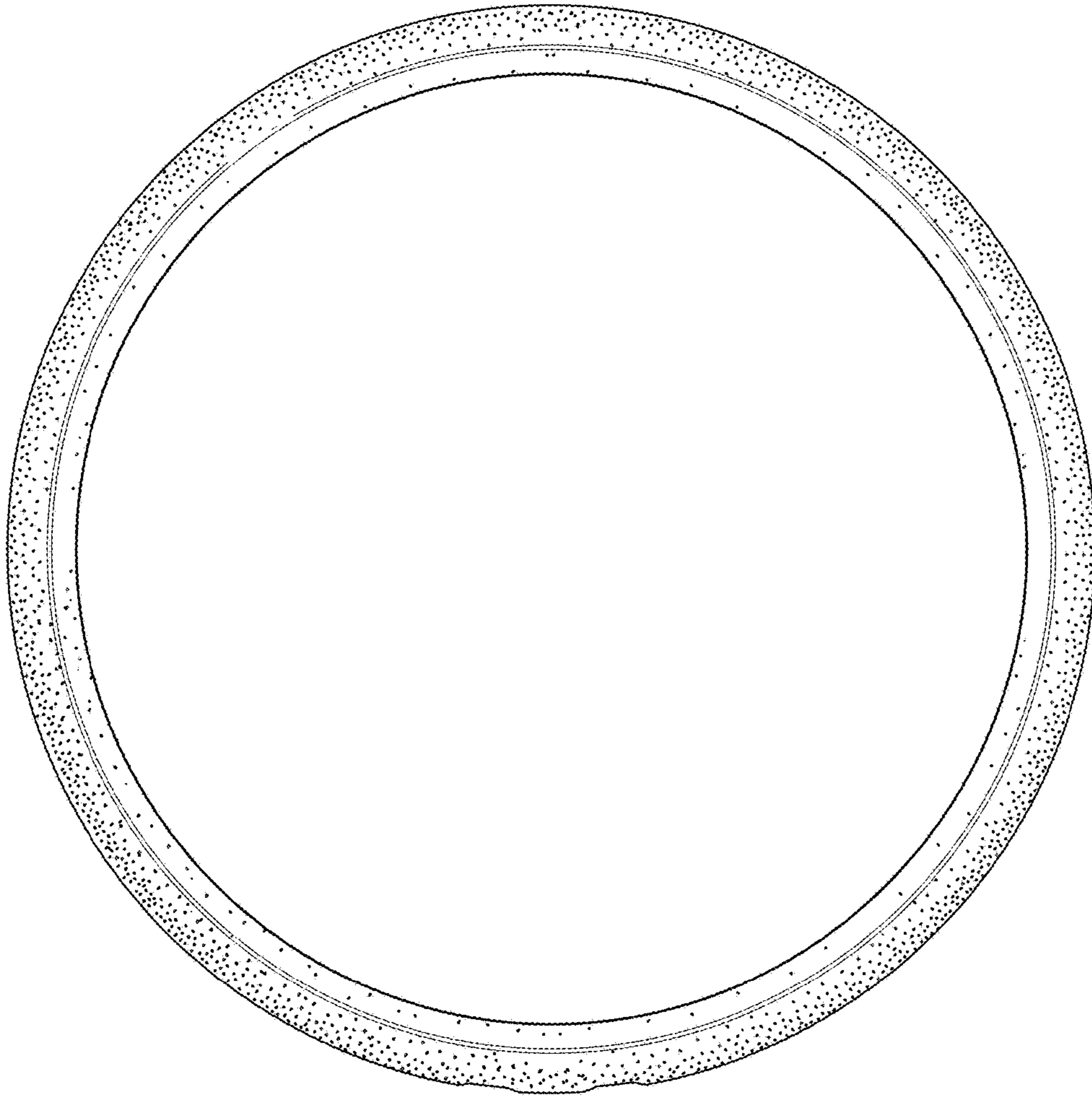


FIG. 3

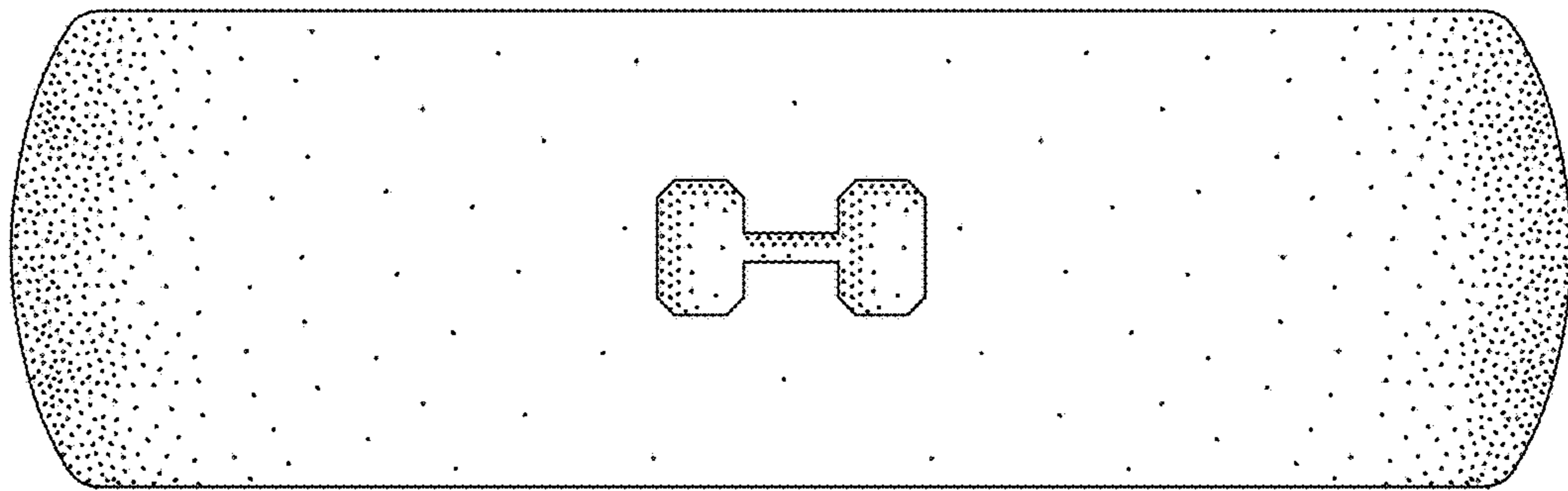


FIG. 4

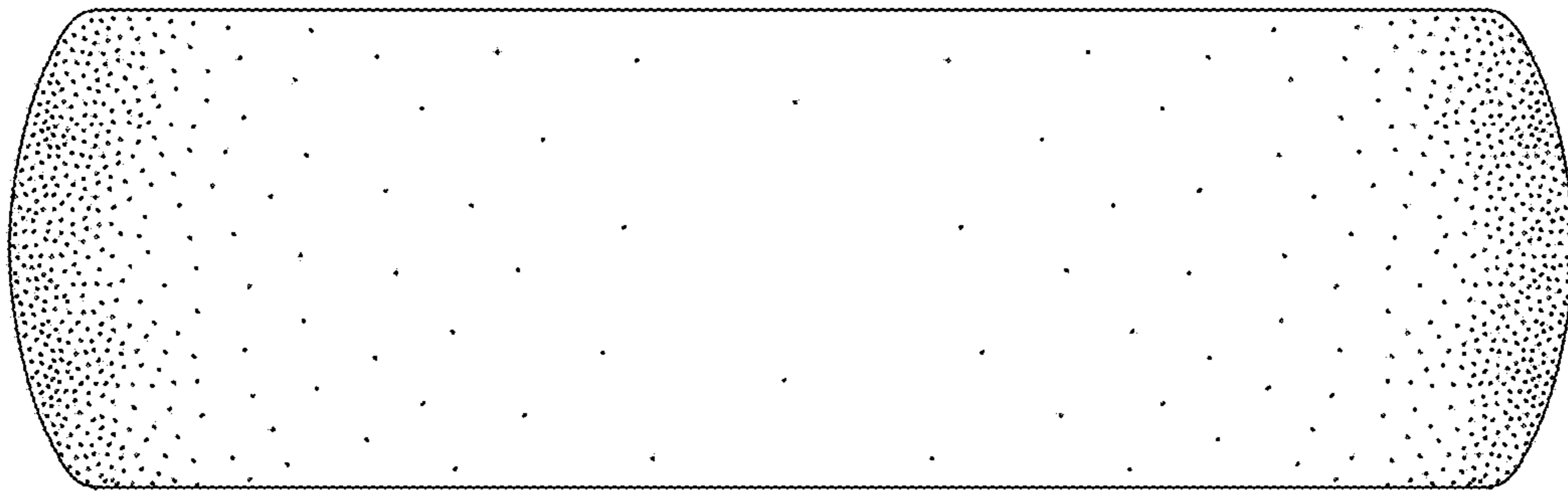


FIG. 5