



US00D780613S

(12) **United States Design Patent**  
**Shaukat et al.**

(10) **Patent No.:** **US D780,613 S**  
(45) **Date of Patent:** **\*\* Mar. 7, 2017**

(54) **COMBINED BRACELET AND DISPOSABLE FLUID CARTRIDGE**

A44C 25/005; A44C 25/007; A61M 35/003; A47K 5/1201

See application file for complete search history.

(71) Applicants: **Kashif Shaukat**, Davie, FL (US);  
**Bernard Lagroue**, Miramar, FL (US)

(56) **References Cited**

(72) Inventors: **Kashif Shaukat**, Davie, FL (US);  
**Bernard Lagroue**, Miramar, FL (US)

U.S. PATENT DOCUMENTS

(\*\*) Term: **15 Years**

2,235,350 A \* 3/1941 Anderson ..... A44C 15/002  
222/175  
2,590,572 A \* 3/1952 Rasmussen ..... G04B 37/1486  
D11/4  
D427,379 S \* 6/2000 Thorpe ..... D11/2  
(Continued)

(21) Appl. No.: **29/531,910**

OTHER PUBLICATIONS

(22) Filed: **Jun. 30, 2015**

The wrist-worn water bottle, NewAtlas.com, published Oct. 30, 2006, online. Site visited on Oct. 5, 2016. Internet URL:<"http://newatlas.com/go/6401">.\*

(51) **LOC (10) Cl.** ..... **11-01**

(52) **U.S. Cl.**  
USPC ..... **D11/2; D9/715**

(Continued)

(58) **Field of Classification Search**

*Primary Examiner* — Cynthia Ramirez

*Assistant Examiner* — Llorellys Martinez-Rivera

(74) *Attorney, Agent, or Firm* — Glenn E. Gold; Glenn E. Gold, P.A.

USPC .. D11/1-43, 45, 46, 56, 77, 79, 86; D9/435, D9/445, 516, 518, 523, 526, 529, 544, D9/715, 719, 738, 739, 740; 222/173, 222/175, 401

CPC ... A44C 5/0007; A44C 5/0015; A44C 5/0023; A44C 5/003; A44C 5/0038; A44C 5/0053; A44C 5/0061; A44C 5/0069; A44C 5/0084; A44C 5/0092; A44C 5/02; A44C 5/022; A44C 5/025; A44C 5/04; A44C 5/10; A44C 5/102; A44C 5/105; A44C 5/107; A44C 5/12; A44C 5/14; A44C 5/142; A44C 5/18; A44C 5/185; A44C 5/20; A44C 5/22; A44C 5/2009; A44C 5/2023; A44C 9/00; A44C 9/0038; A44C 9/0046; A44C 9/0069; A44C 9/0084; A44C 9/02; A44C 25/00; A44C 25/001; A44C 25/002; A44C 25/004;

(57) **CLAIM**

The ornamental design for a combined bracelet and disposable fluid cartridge, as shown and described.

**DESCRIPTION**

FIG. 1 is a top left isometric view of a combined bracelet and disposable fluid cartridge in accordance with the present design;

FIG. 2 is a front elevation view thereof;

FIG. 3 is a left elevation view thereof;

FIG. 4 is a right elevation view thereof;

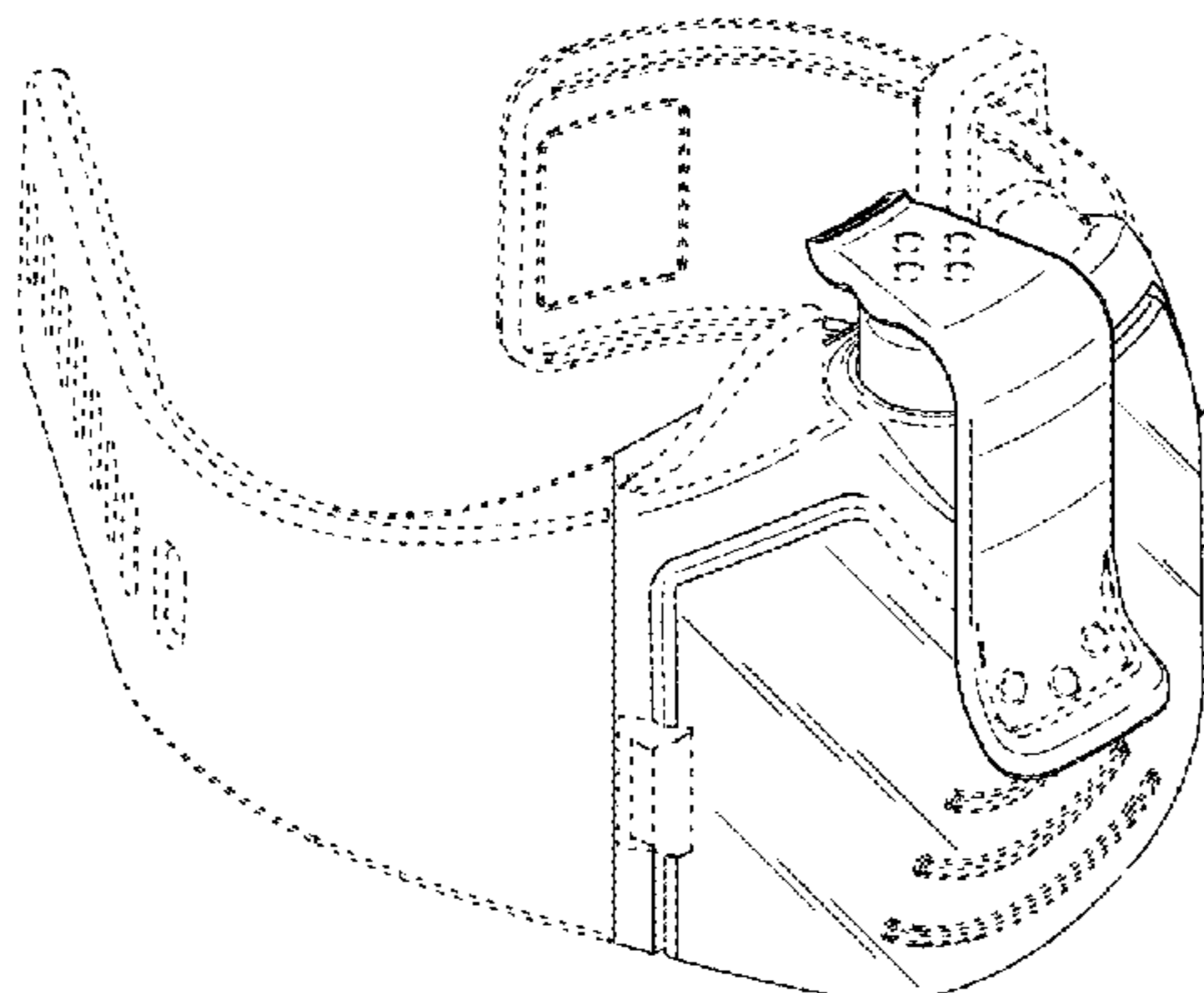
FIG. 5 is a rear elevation view thereof;

FIG. 6 is a top plan view thereof; and,

FIG. 7 is a bottom plan view thereof.

The broken lines in FIGS. 1 through 7 showing a bracelet represent environmental subject matter only and form no part of the claimed design. The other broken lines immedi-

(Continued)



ately adjacent to the shaded surfaces illustrate boundaries and do not form part of the claimed design.

**1 Claim, 6 Drawing Sheets**

(56)

**References Cited**

U.S. PATENT DOCUMENTS

6,173,866	B1 *	1/2001	Taylor, Jr. ....	A45F 3/20	222/175
D451,422	S *	12/2001	Wenrich .....	D11/26	
6,349,414	B1 *	2/2002	Tillman .....	A41D 20/00	2/170
D524,678	S *	7/2006	Fishman .....	D11/2	
D560,134	S *	1/2008	Chen .....	D11/4	
7,316,332	B2 *	1/2008	Powers .....	A45D 34/00	222/175
D646,191	S *	10/2011	Murphy .....	D11/2	
8,286,834	B2 *	10/2012	Powers .....	A45D 34/00	222/175
D720,641	S *	1/2015	Rummonds .....	D11/3	
2008/0230560	A1 *	9/2008	Powers .....	A45D 34/00	222/175

2009/0134184	A1 *	5/2009	Stollmann .....	A44C 5/003	222/175
2011/0052305	A1 *	3/2011	Leros .....	A47K 5/1201	401/137
2011/0155765	A1 *	6/2011	Properzi .....	A47K 5/1201	222/175
2011/0240675	A1 *	10/2011	McDoanald .....	B05B 15/061	222/175
2012/0282011	A1 *	11/2012	Francois .....	A61L 2/18	222/175
2015/0233681	A1 *	8/2015	Olah .....	F41H 9/10	222/175
2016/0044997	A1 *	2/2016	Horgan .....	A45D 34/00	222/175

OTHER PUBLICATIONS

Product test: FitSip hydration system, published Sep. 3, 2013, online. Site visited on Oct. 5, 2016. Internet URL:<<"https://borntoplod.wordpress.com/2013/09/03/product-test-fitsip-hydration-system/">.\*

Entrepreneur Creates Hand Sanitizer Bracelets for Kids, BusinessNewsDaily.com, published on Sep. 4, 2013, online. Site visited on Oct. 5, 2016. Internet URL:<<"http://www.businessnewsdaily.com/5041-armorteria-health-business.html">.\*

\* cited by examiner

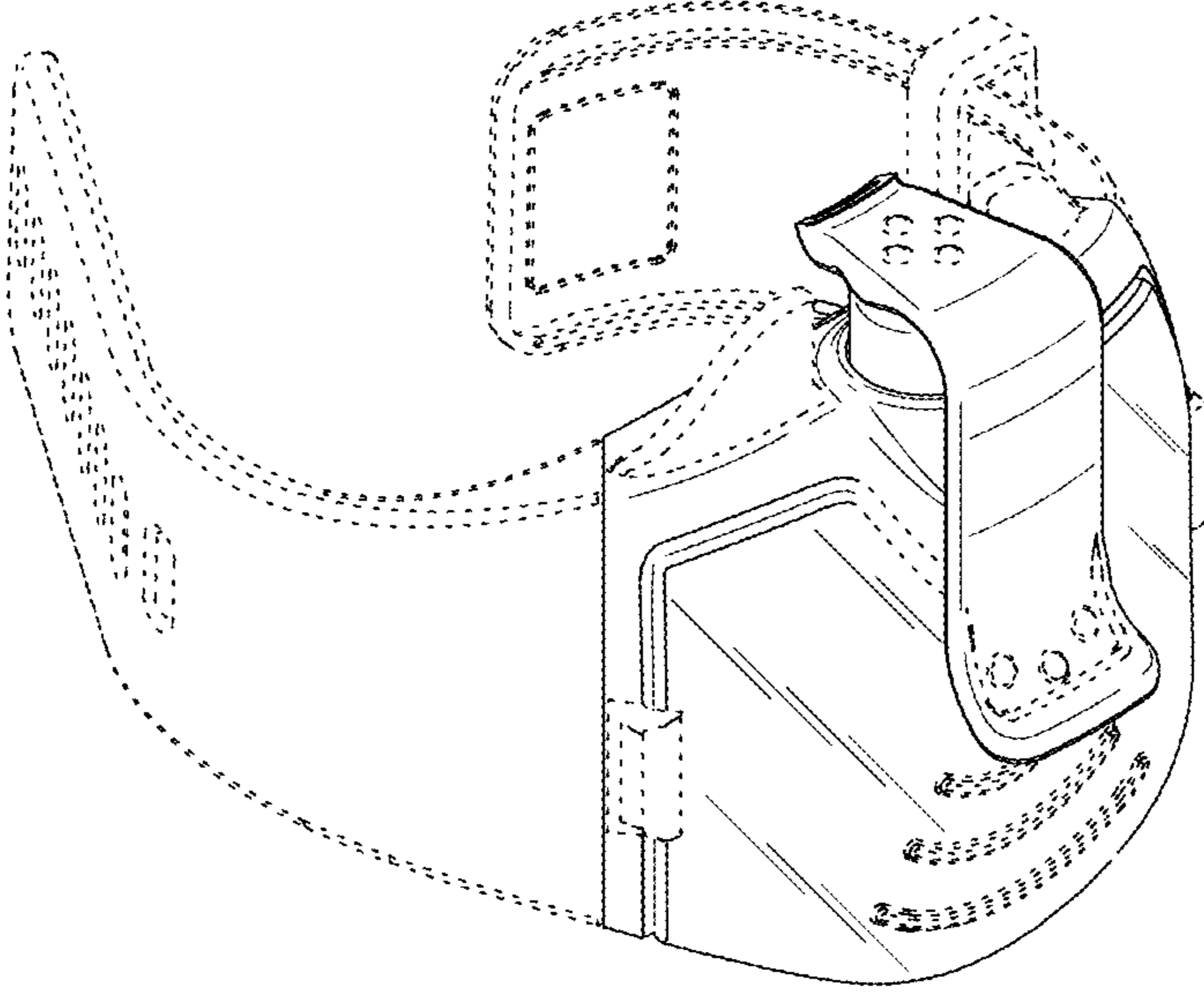


FIG. 1

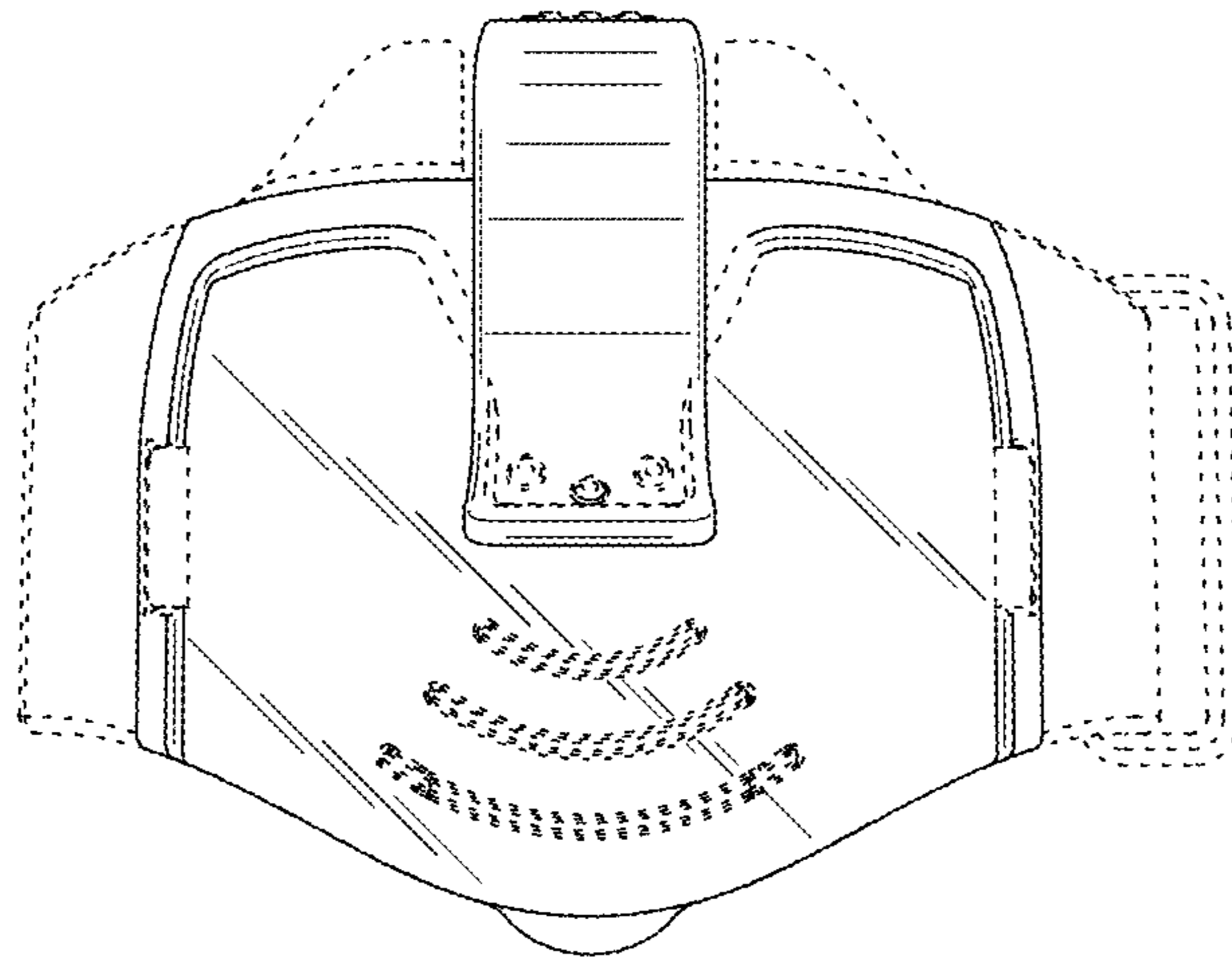


FIG. 2

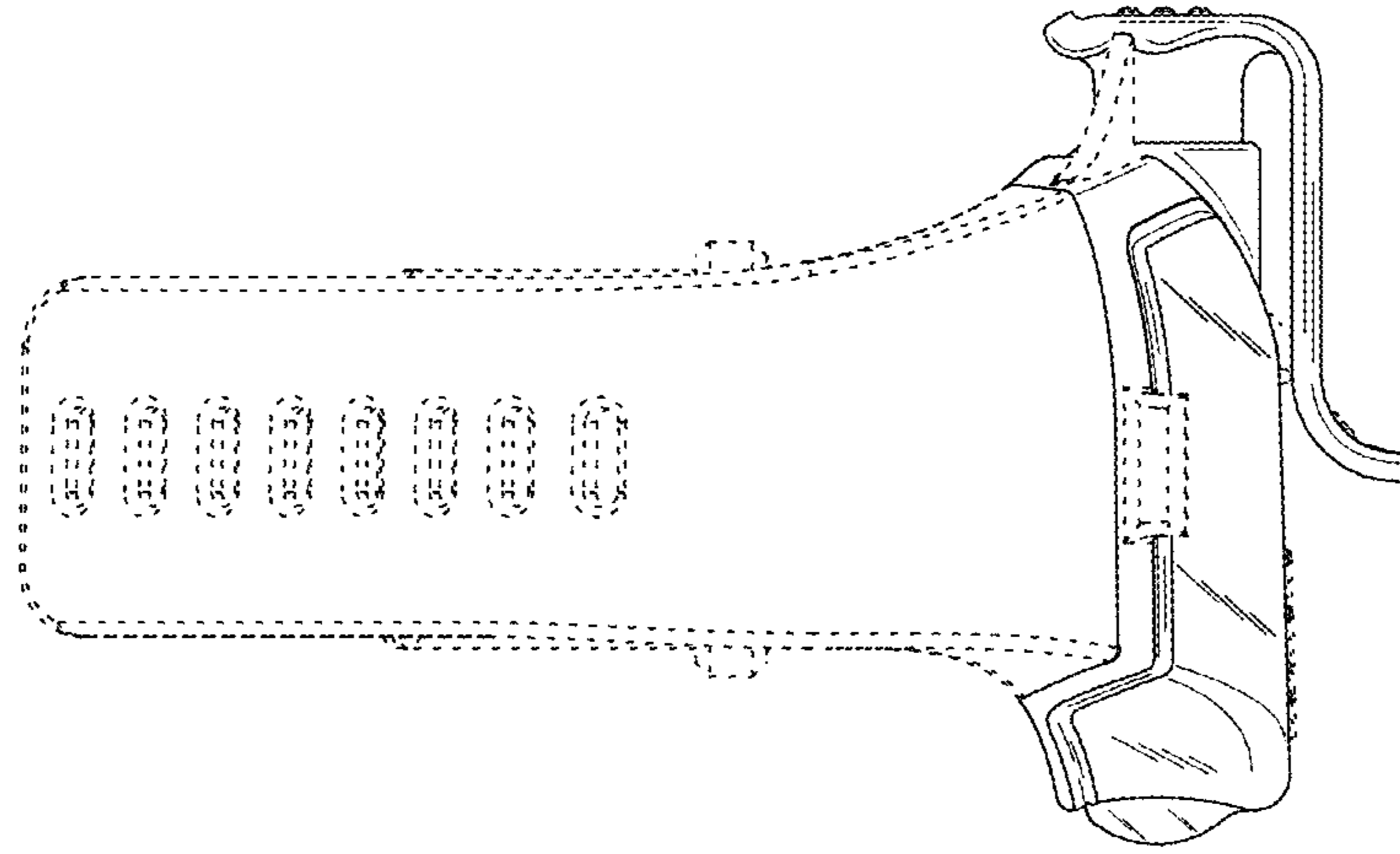


FIG. 3

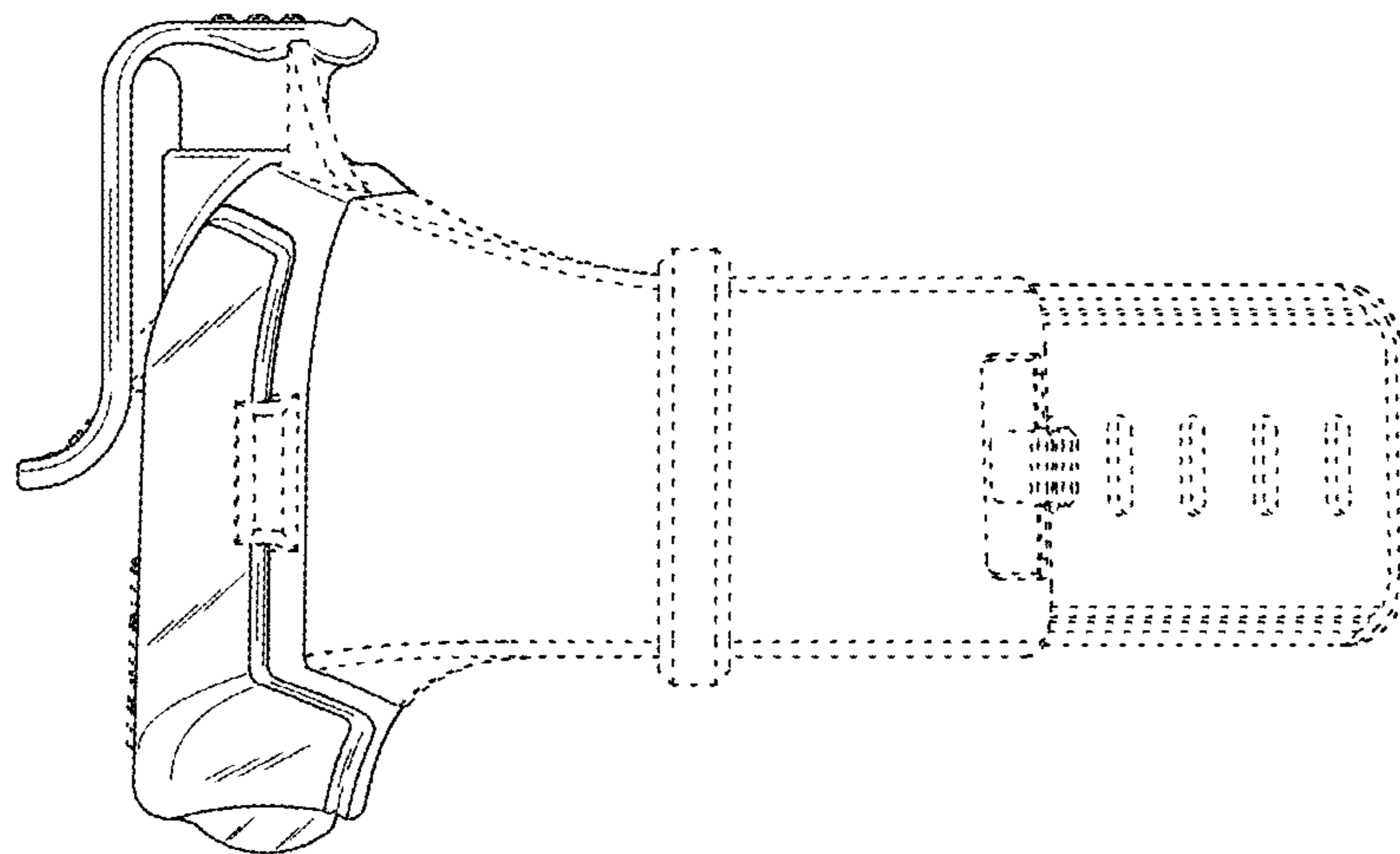


FIG. 4

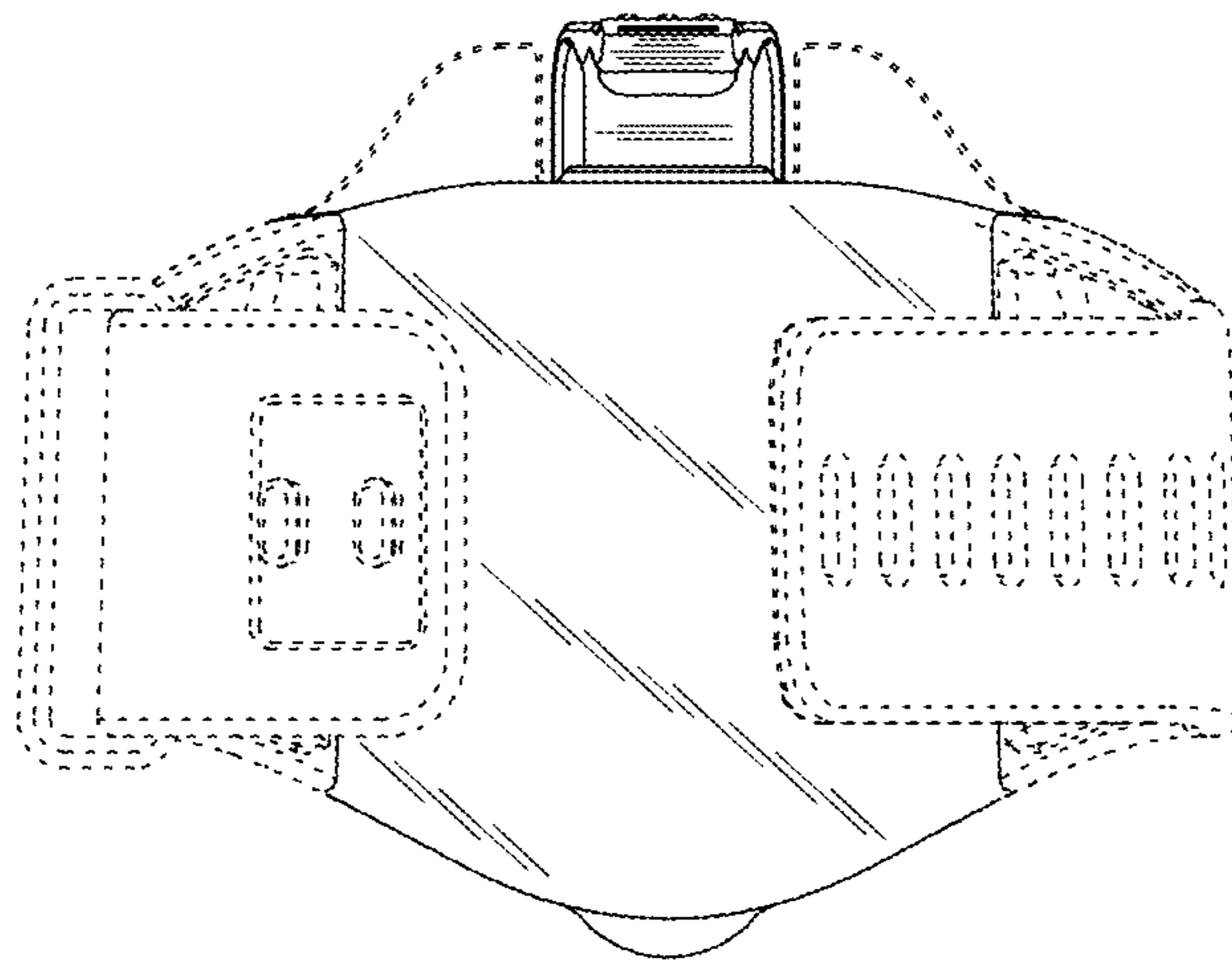


FIG. 5

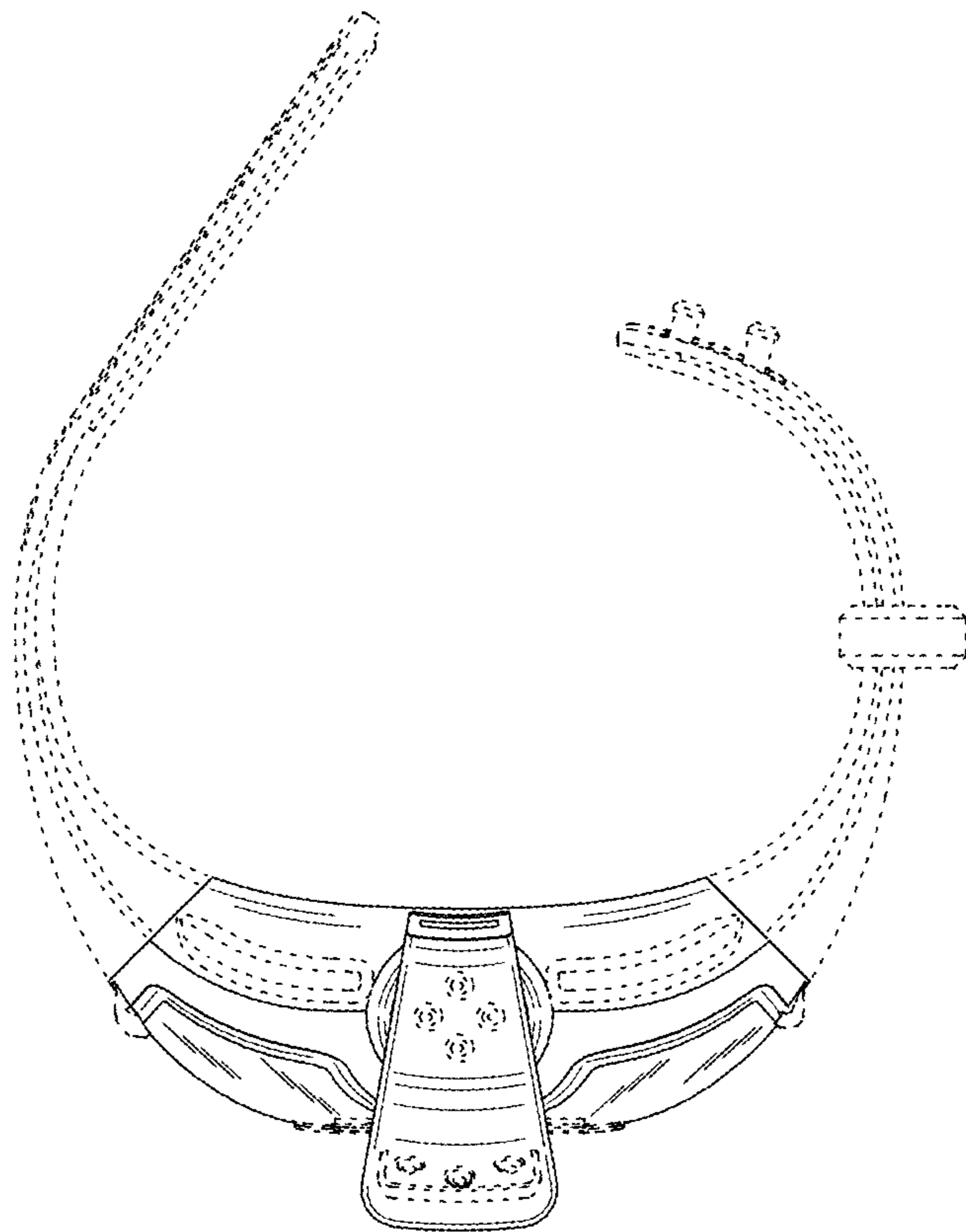


FIG. 6

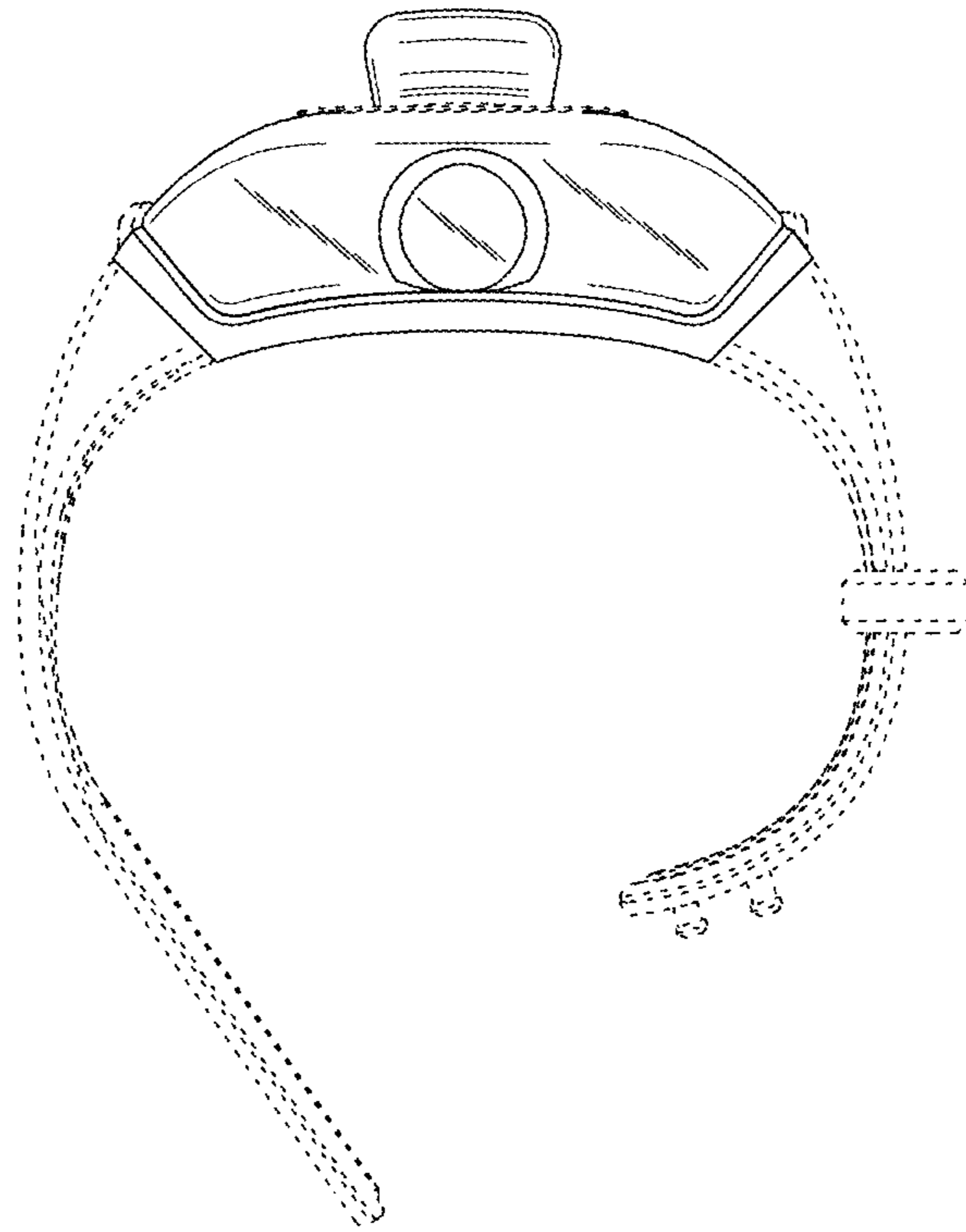


FIG. 7