



US00D780612S

(12) **United States Design Patent**
Alexander et al.

(10) **Patent No.:** **US D780,612 S**
(45) **Date of Patent:** **** Mar. 7, 2017**

(54) **DIAL INDICATOR MOUNTING BASE**

Primary Examiner — Antoine D Davis

(71) Applicants: **Kristopher Randall Alexander**,
Odessa, TX (US); **Toby Jason**
Matthews, Odessa, TX (US)

(72) Inventors: **Kristopher Randall Alexander**,
Odessa, TX (US); **Toby Jason**
Matthews, Odessa, TX (US)

(**) Term: **15 Years**

(21) Appl. No.: **29/542,732**

(22) Filed: **Oct. 16, 2015**

(51) **LOC (10) Cl.** **10-04**

(52) **U.S. Cl.**
USPC **D10/102; D10/103**

(58) **Field of Classification Search**
USPC D10/102, 103
CPC G01D 11/16; G01D 11/30; G01D 11/305
See application file for complete search history.

(56) **References Cited**

U.S. PATENT DOCUMENTS

- 4,534,307 A * 8/1985 Overs G01D 11/24
114/197
- D344,683 S * 3/1994 Stromback et al. D10/103
- 9,103,702 B2 * 8/2015 Plankl et al. F16B 21/04
- 9,194,726 B2 * 11/2015 Barcat et al. G01D 11/245

* cited by examiner

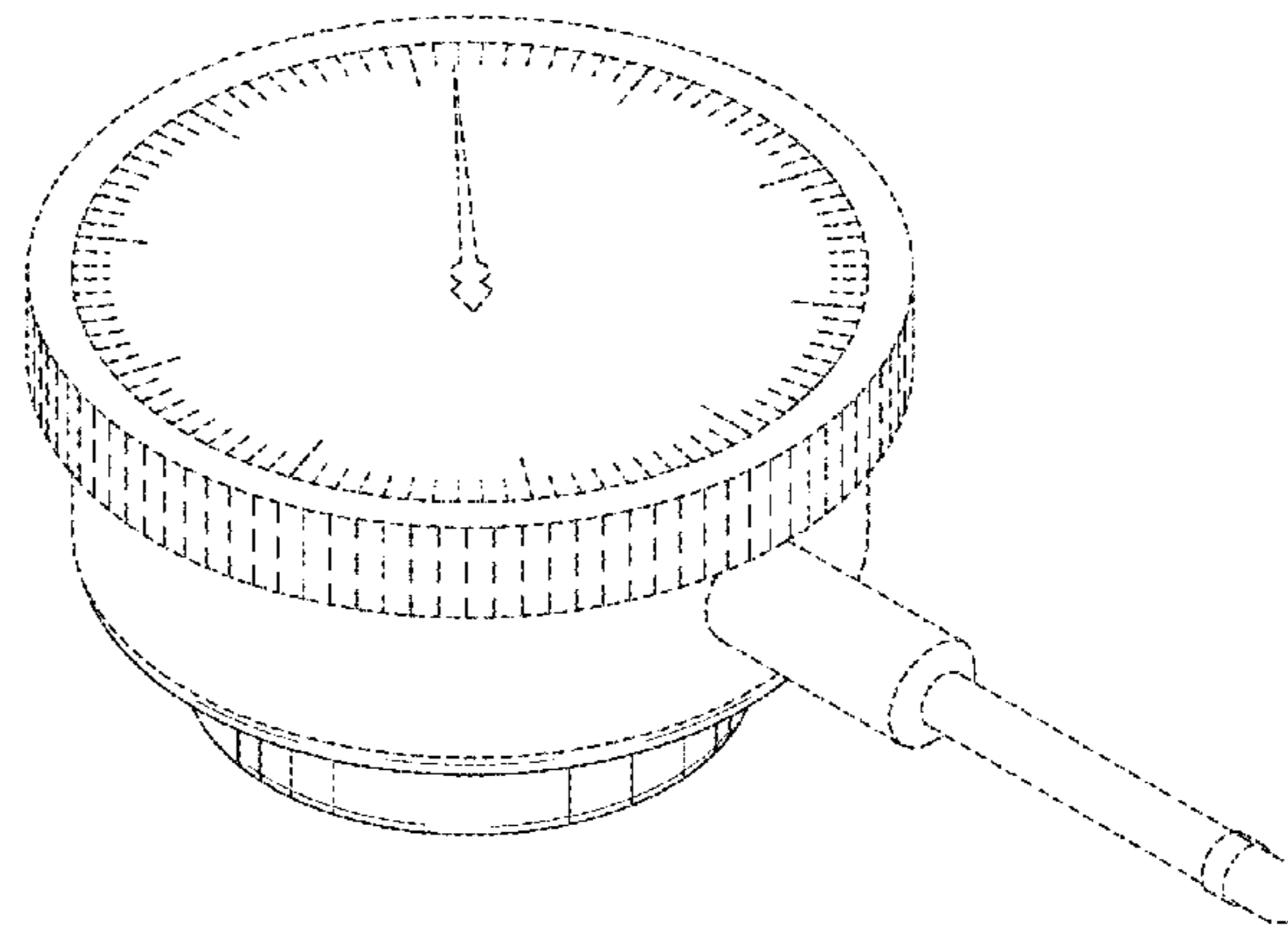
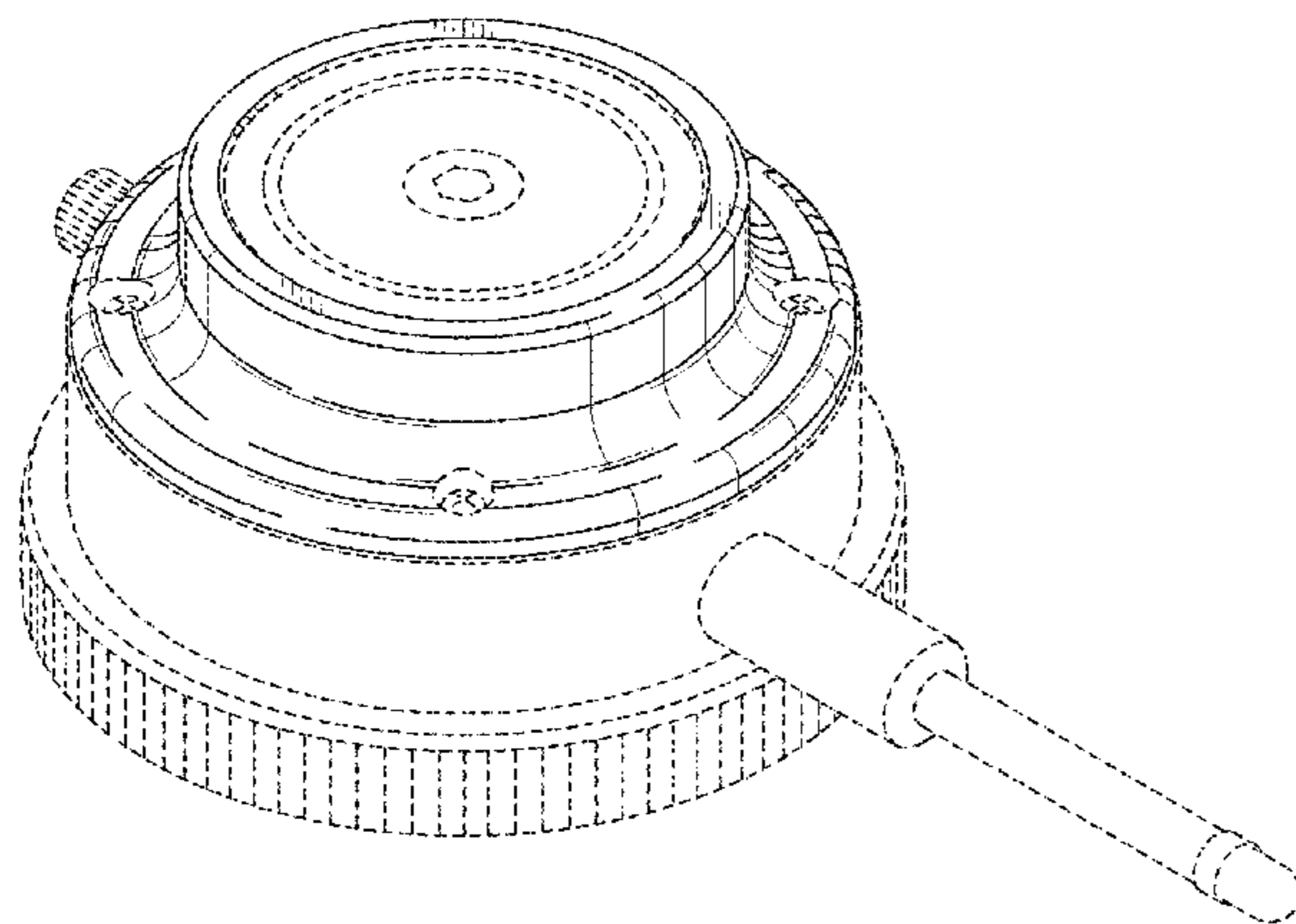
(57) **CLAIM**

The ornamental design for a dial indicator mounting base, as shown and described.

DESCRIPTION

FIG. 1: is a top front perspective view of the dial indicator mounting base, shown in use;
 FIG. 2: is a bottom front perspective view of the dial indicator mounting base, shown in use;
 FIG. 3: is a top front perspective view of the dial indicator mounting base;
 FIG. 4: is a top elevation view of the dial indicator mounting base;
 FIG. 5: is a bottom elevation view of the dial indicator mounting base; and,
 FIG. 6: is a front elevation view of the dial indicator mounting base, with the rear elevation view, right elevation view, and left elevation view being a mirror image thereof. The broken lines shown in the drawings illustrate portions of the dial indicator mounting base that form no part of the claimed design.

1 Claim, 5 Drawing Sheets



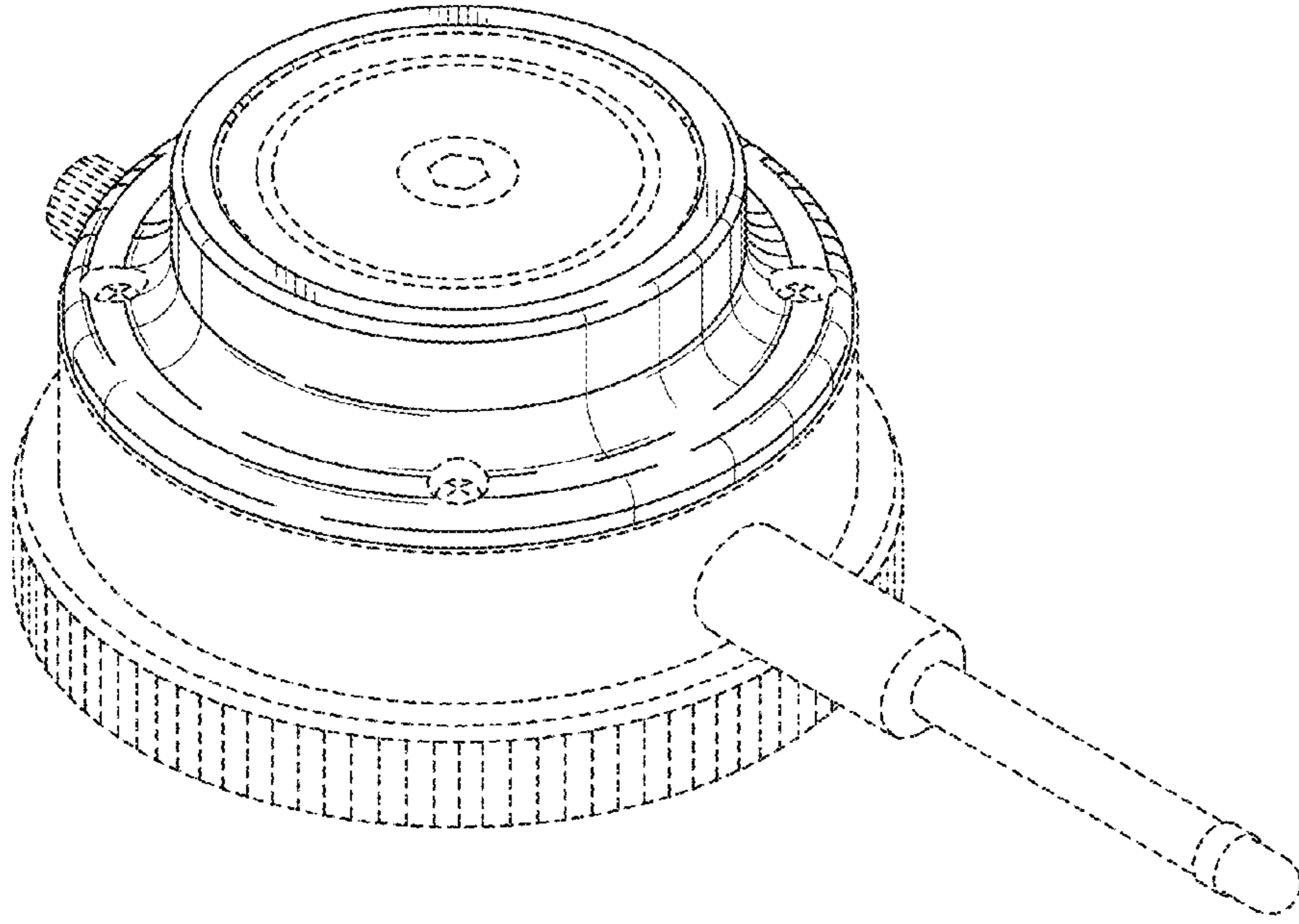


FIG. 1

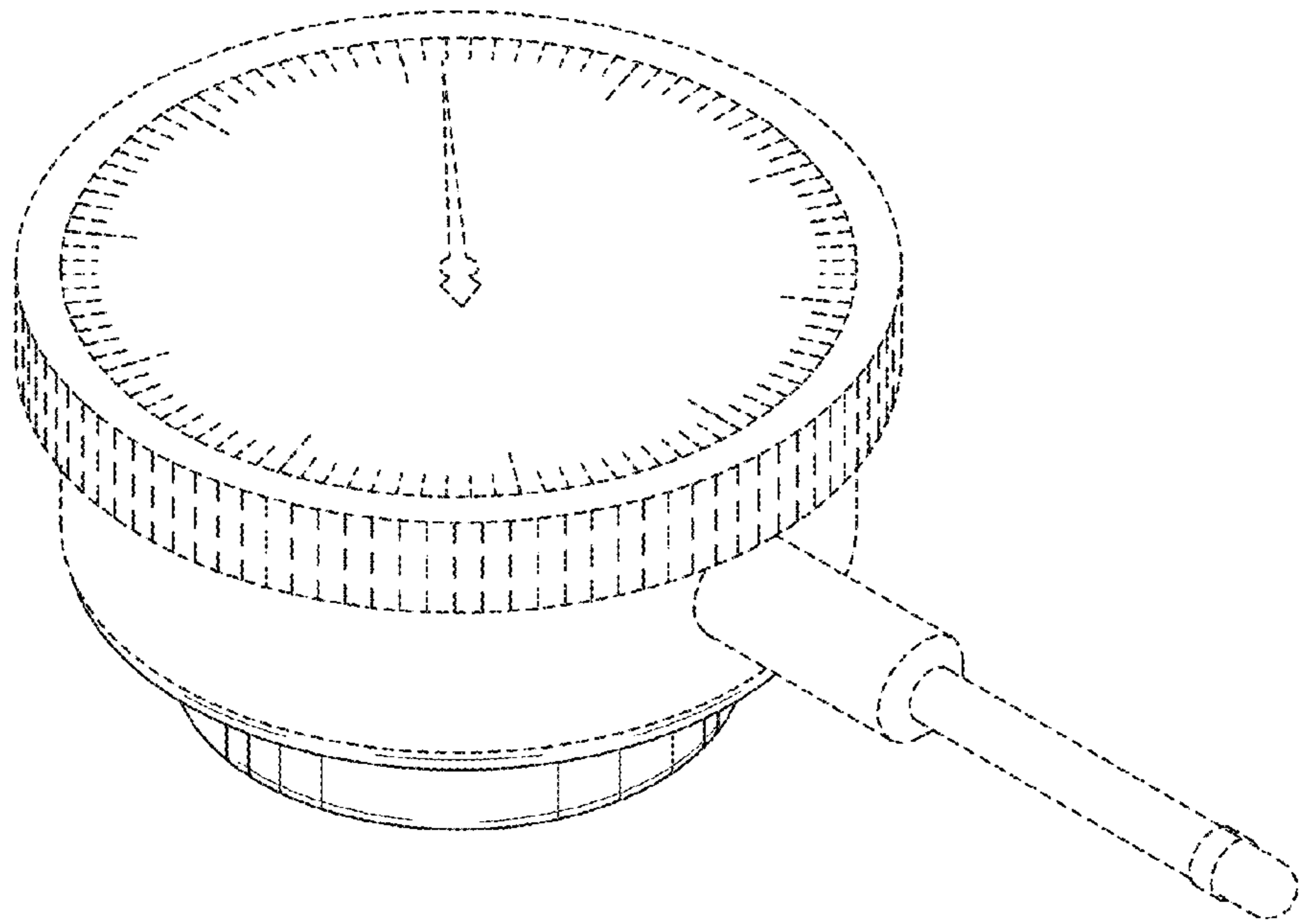


FIG. 2

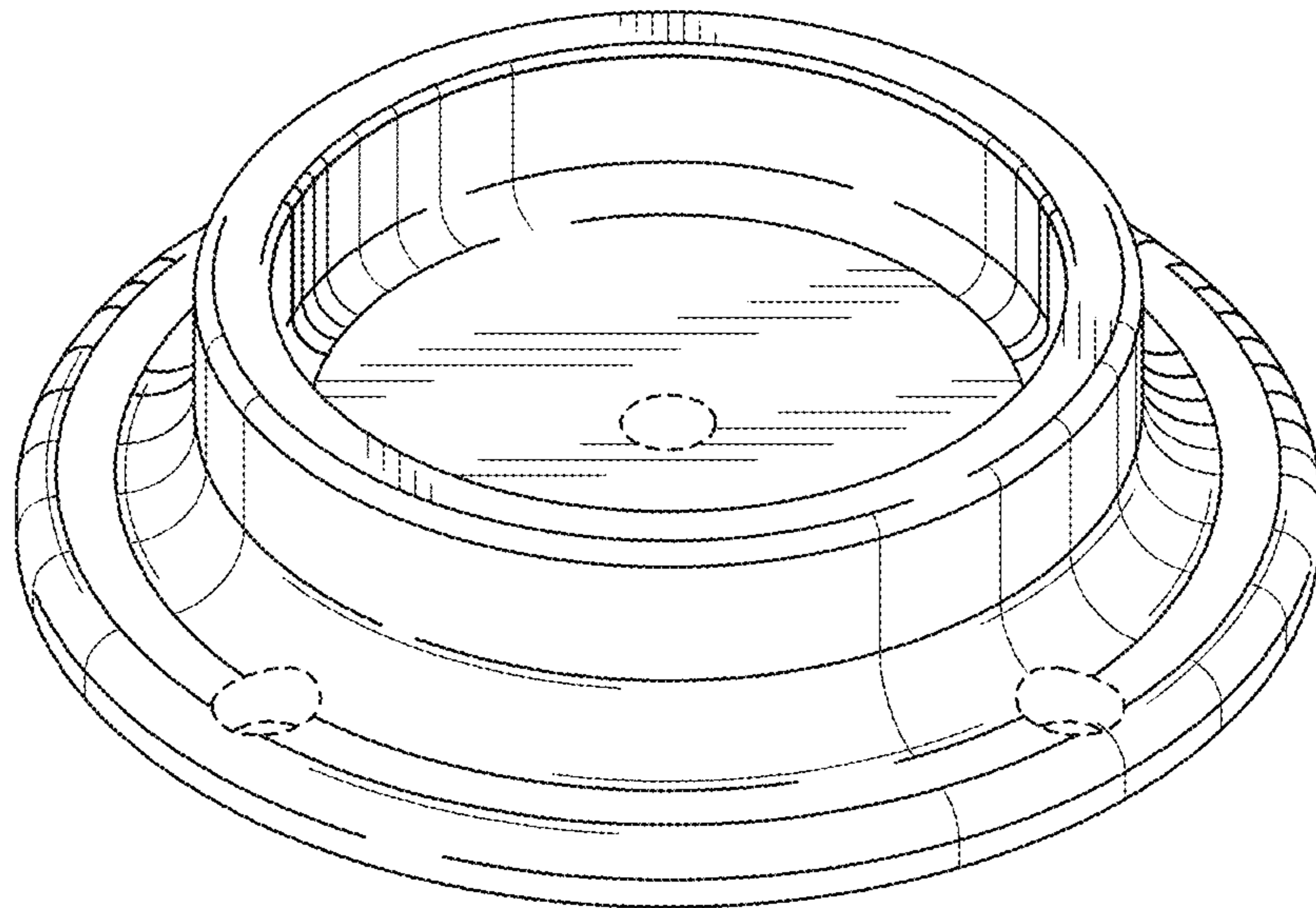


FIG. 3

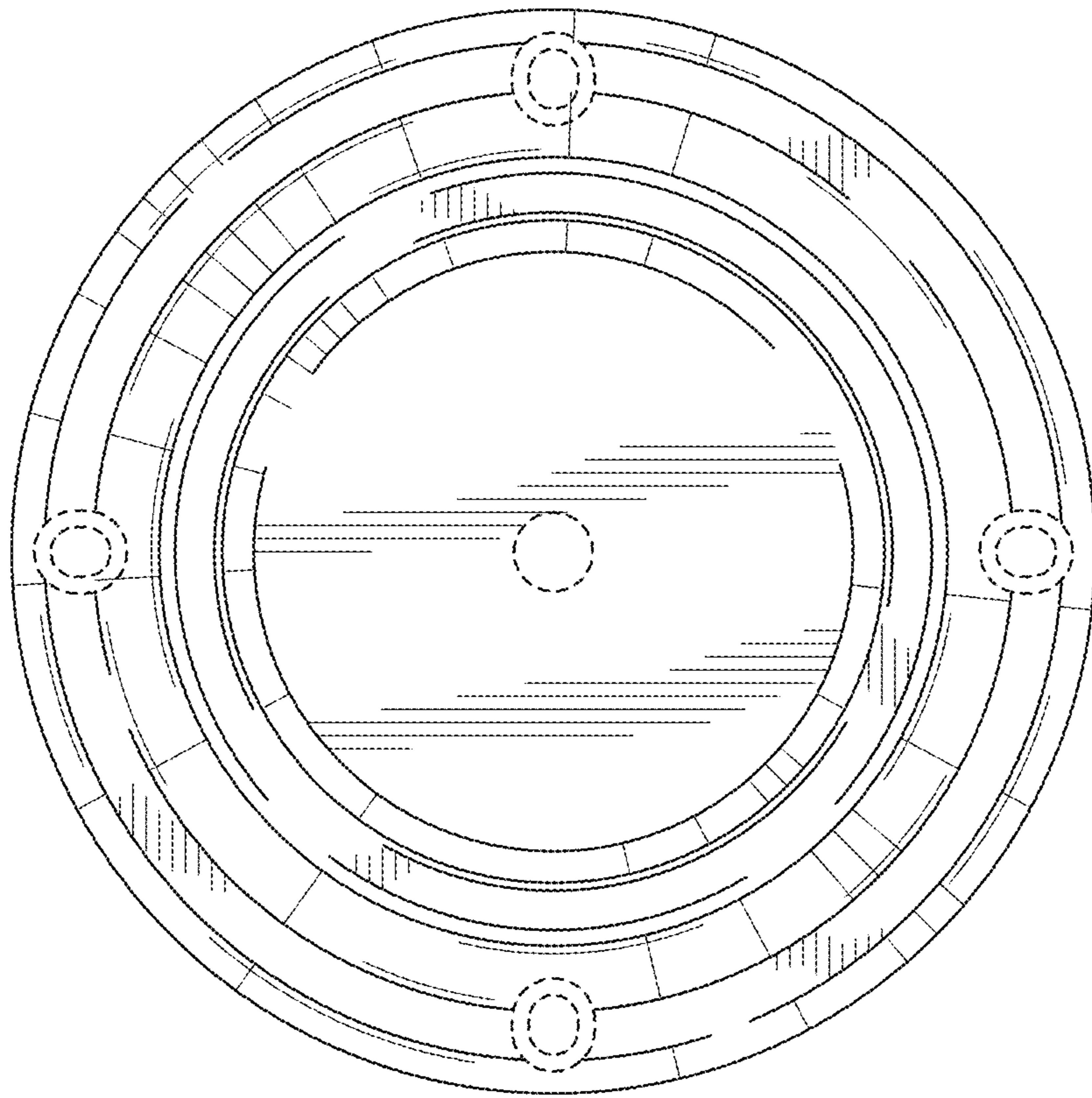


FIG.4

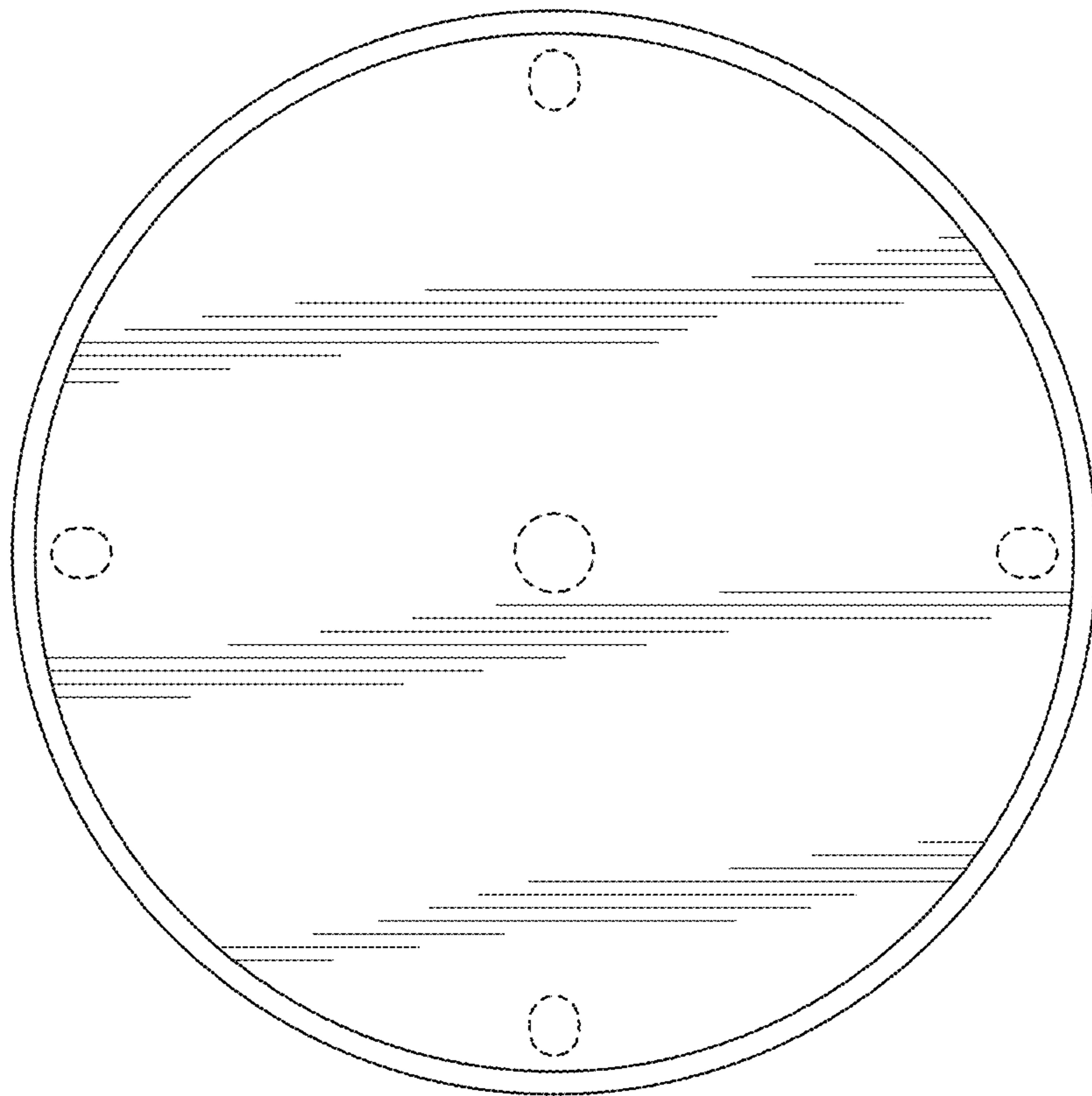


FIG. 5

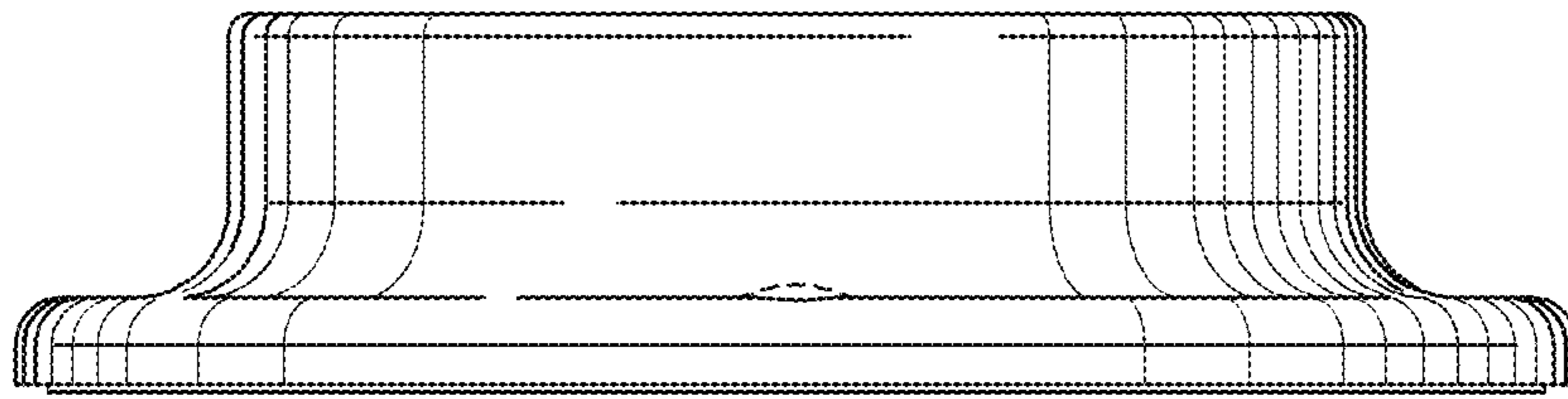


FIG. 6