



US00D780611S

(12) **United States Design Patent**
Studer

(10) **Patent No.:** **US D780,611 S**

(45) **Date of Patent:** **** Mar. 7, 2017**

(54) **PEOPLE COUNTING SENSOR**

(71) Applicant: **Xovis AG**, Zollikofen (CH)

(72) Inventor: **David Studer**, Bruegg BE (CH)

(73) Assignee: **XOVIS AG**, Zollikofen (CH)

(**) Term: **15 Years**

(21) Appl. No.: **29/539,924**

(22) Filed: **Sep. 18, 2015**

(30) **Foreign Application Priority Data**

Jul. 27, 2015 (WO) DM/087111

(51) **LOC (10) Cl.** **10-04**

(52) **U.S. Cl.**
USPC **D10/97; D10/104.1**

(58) **Field of Classification Search**
USPC D10/70, 97, 104.1, 106.6
CPC G07C 11/00; G07C 11/02; G07C 11/04;
G07C 9/00; G08B 13/191; G08B 13/248;
G08B 13/189; G08B 13/193; G08B
13/194; G08B 13/19602; G08B
13/19608; G06K 9/00342; G06K 9/00362;
G06K 9/00369

See application file for complete search history.

(56) **References Cited**

U.S. PATENT DOCUMENTS

D756,814 S * 5/2016 Pankewich, Jr. D10/65

* cited by examiner

Primary Examiner — Antoine D Davis

(74) *Attorney, Agent, or Firm* — Birch, Stewart, Kolasch & Birch, LLP

(57) **CLAIM**

The ornamental design for a people counting sensor, as shown and described.

DESCRIPTION

FIG. 1 is a front perspective view of a first embodiment of a people counting sensor showing a first embodiment of my new design;

FIG. 2 is a rear perspective view thereof;

FIG. 3 is a front view thereof;

FIG. 4 is a rear view thereof;

FIG. 5 is a left end view thereof;

FIG. 6 is a left side view thereof;

FIG. 7 is a right end view thereof;

FIG. 8 is a right side view thereof;

FIG. 9 is a front perspective view of a second embodiment of a people counting sensor showing a second embodiment of my new design;

FIG. 10 is a rear perspective view thereof;

FIG. 11 is a front view thereof;

FIG. 12 is a rear view thereof;

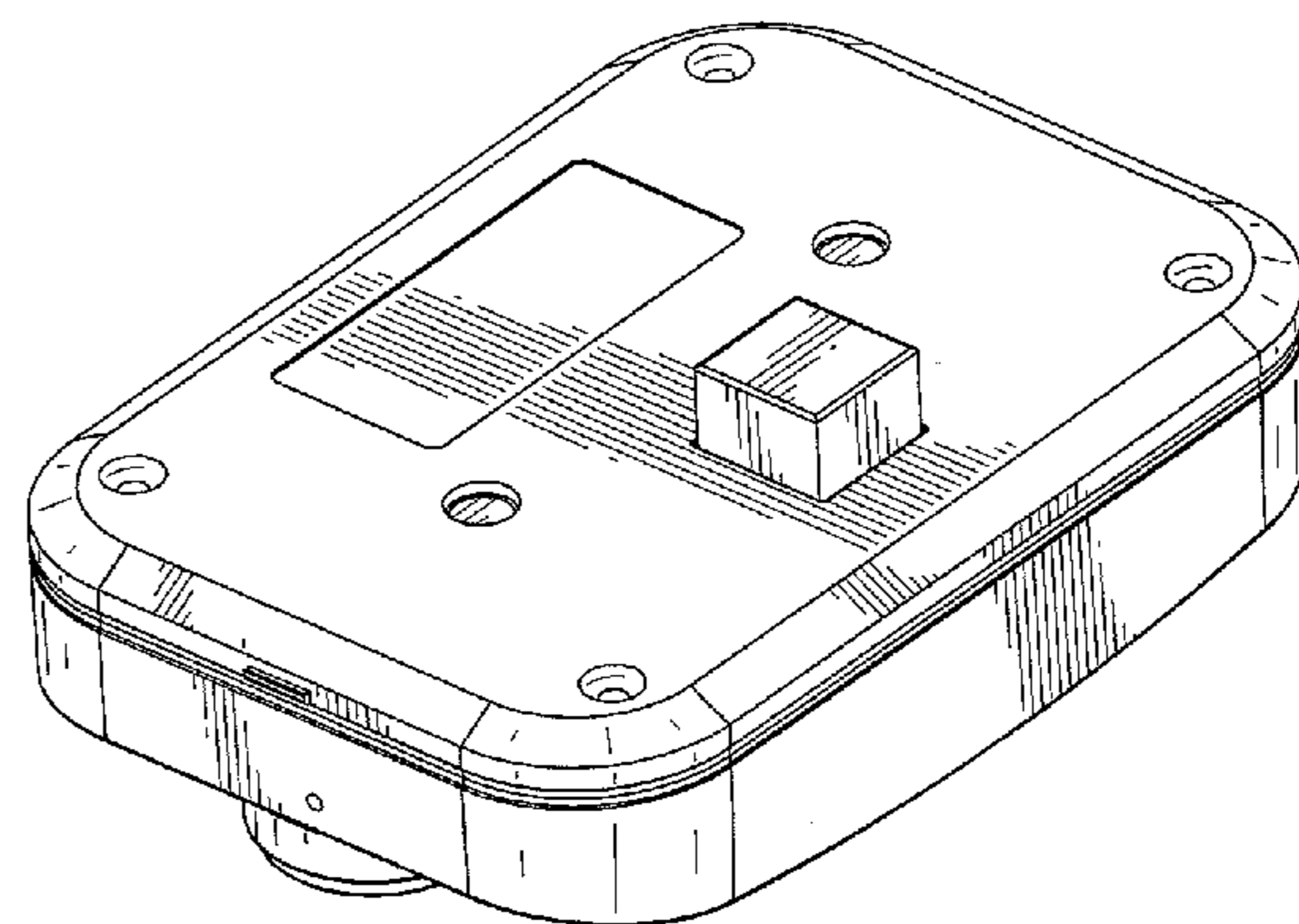
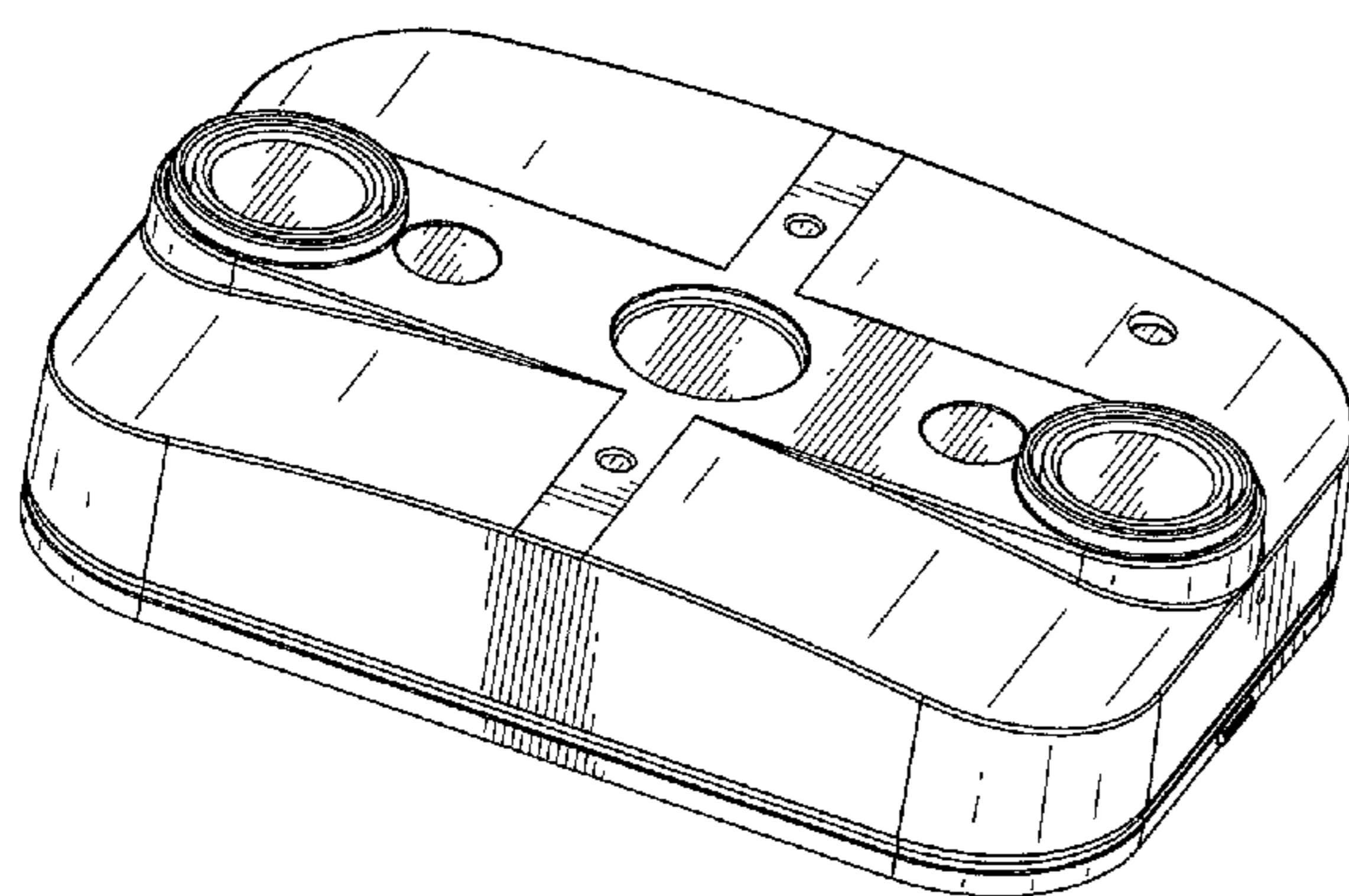
FIG. 13 is a left end view thereof;

FIG. 14 is a left side view thereof;

FIG. 15 is a right end view thereof; and,

FIG. 16 is a right side view thereof.

1 Claim, 8 Drawing Sheets



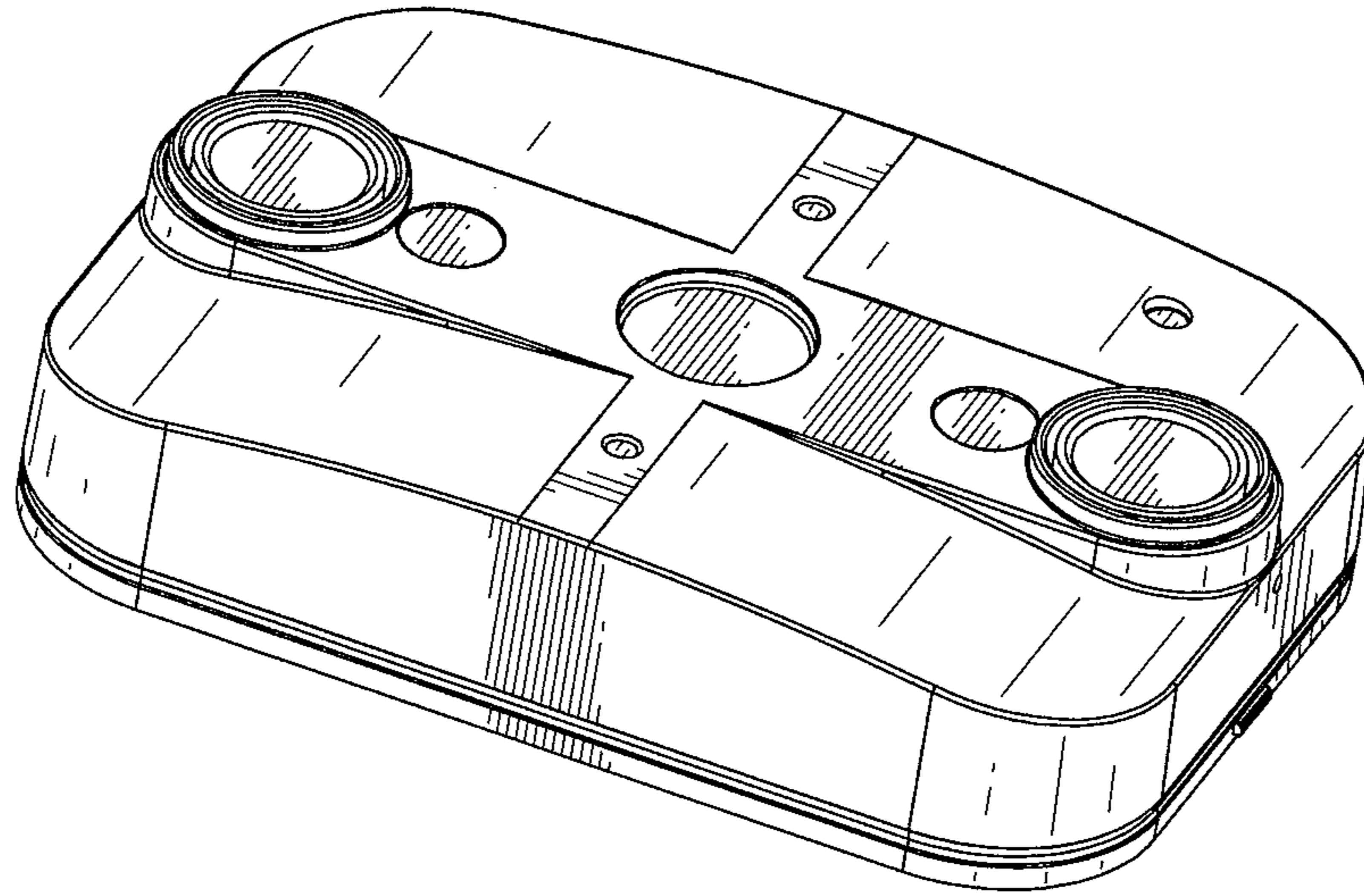


FIG.1

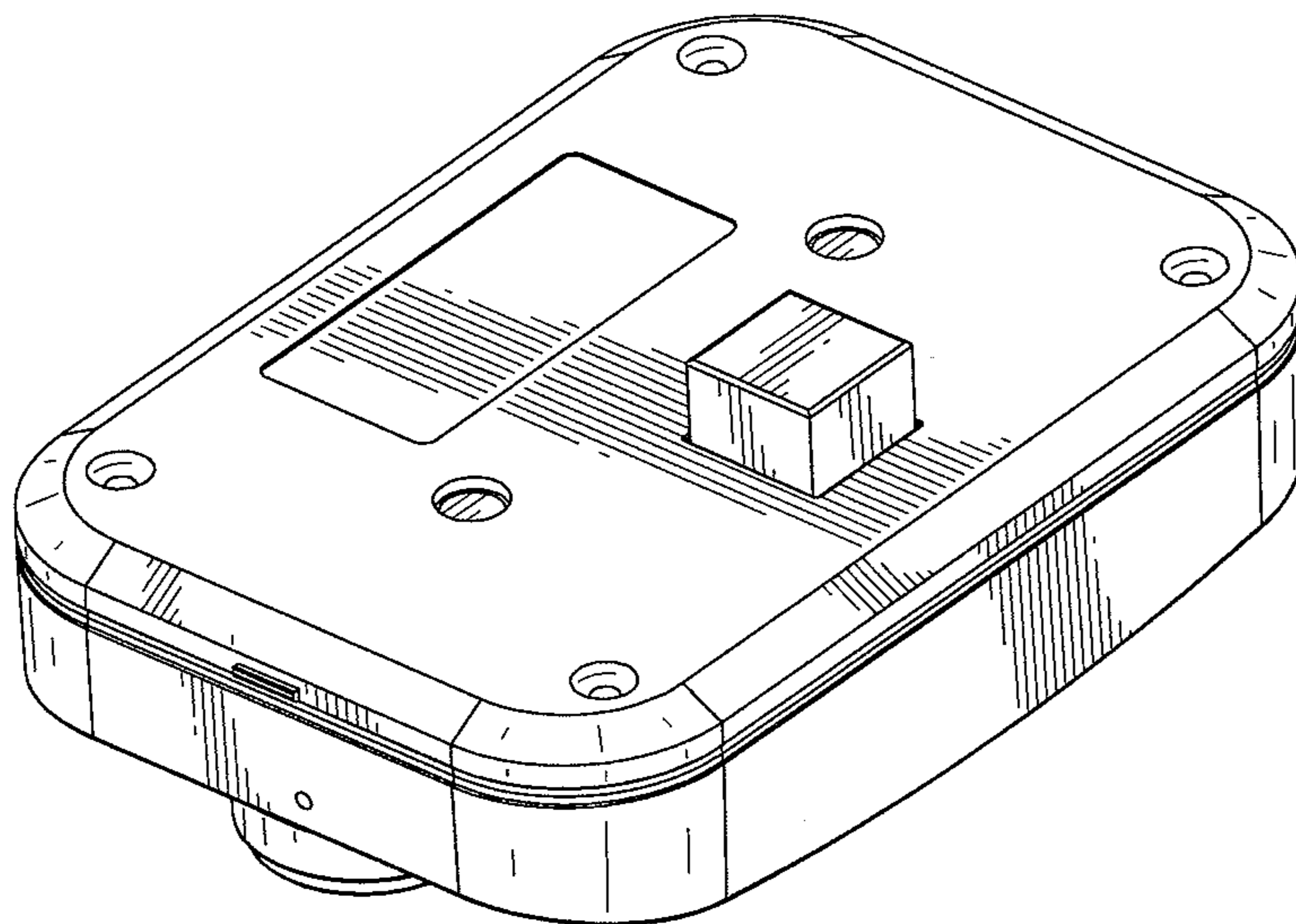


FIG.2

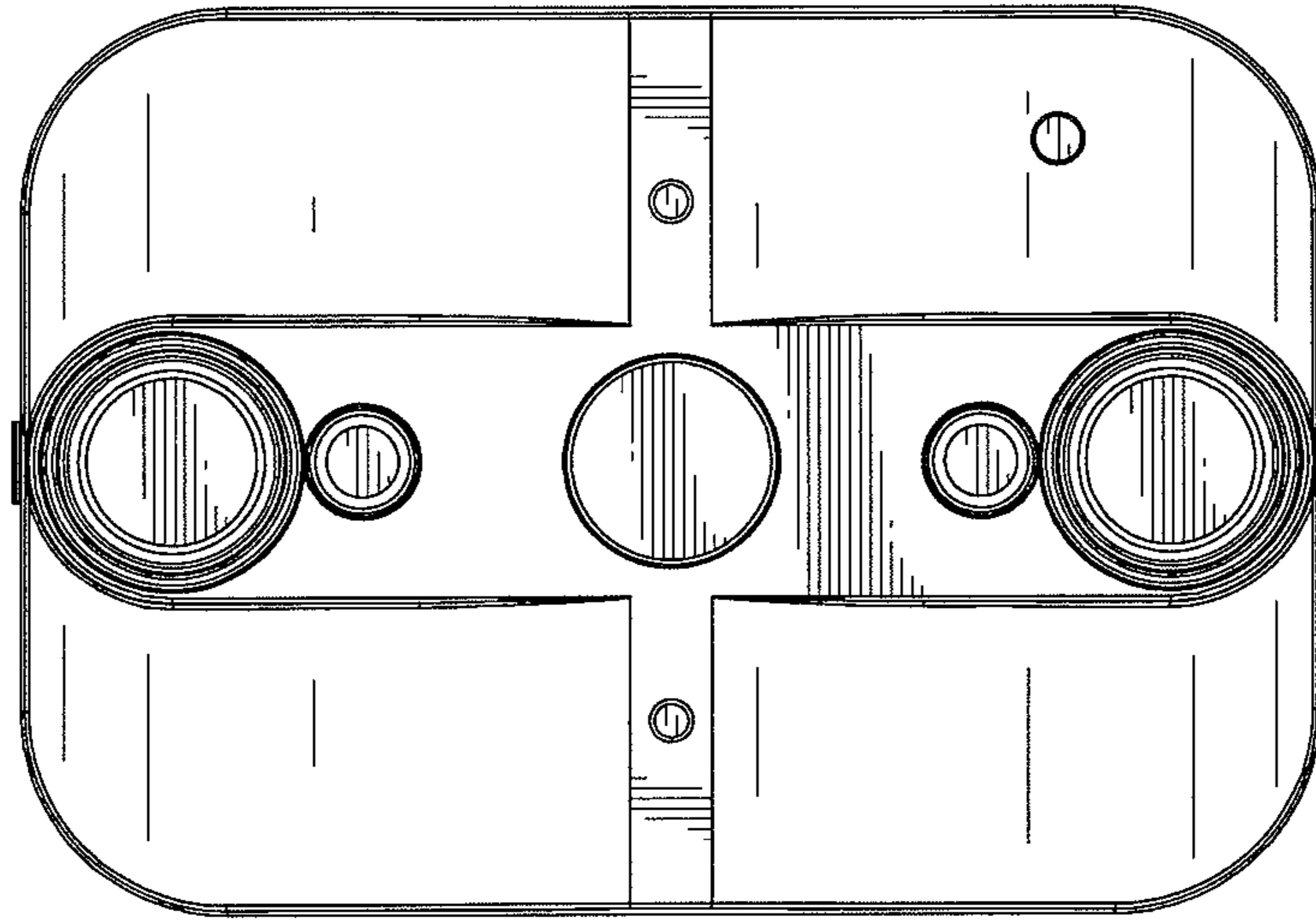


FIG.3

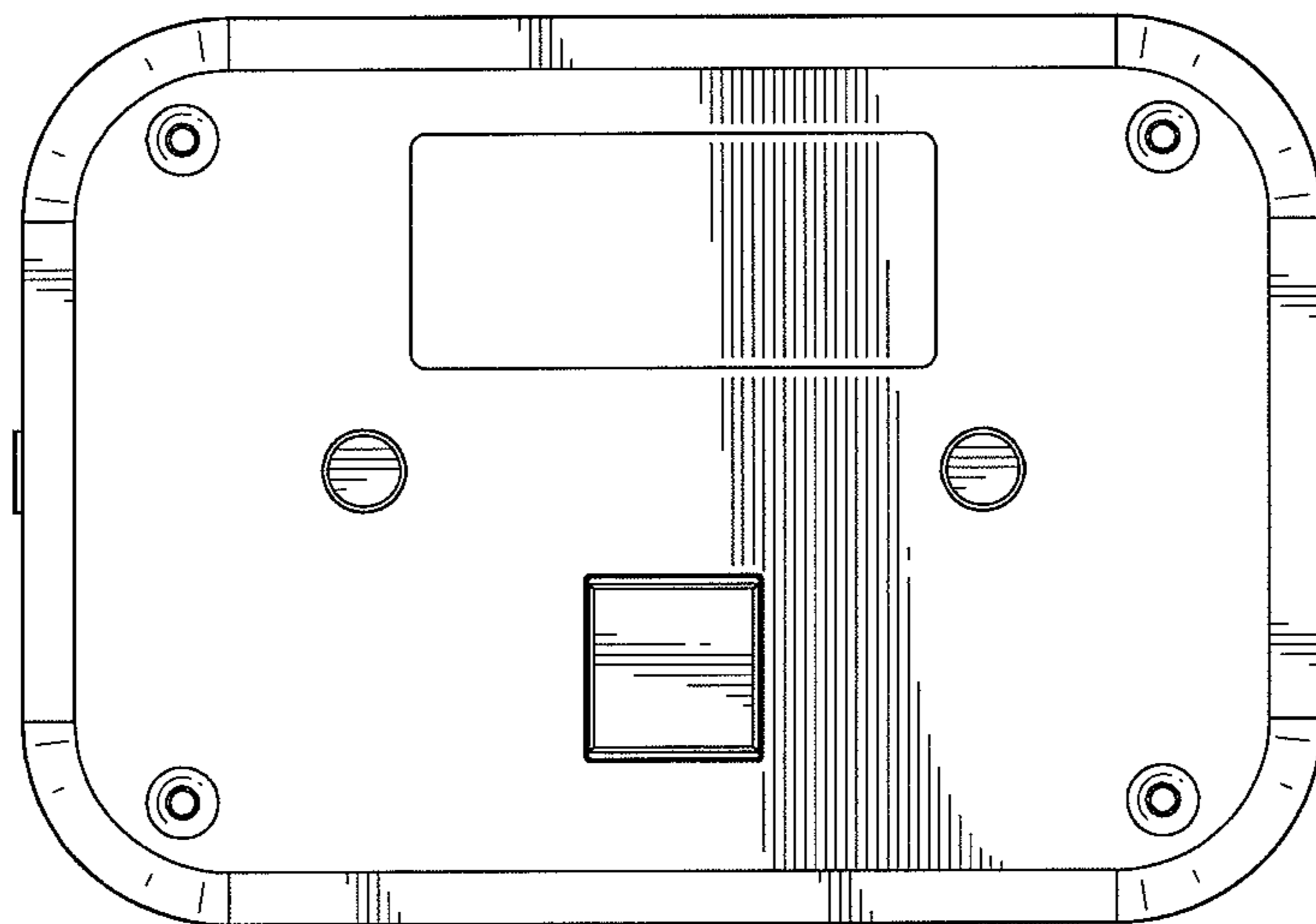


FIG.4

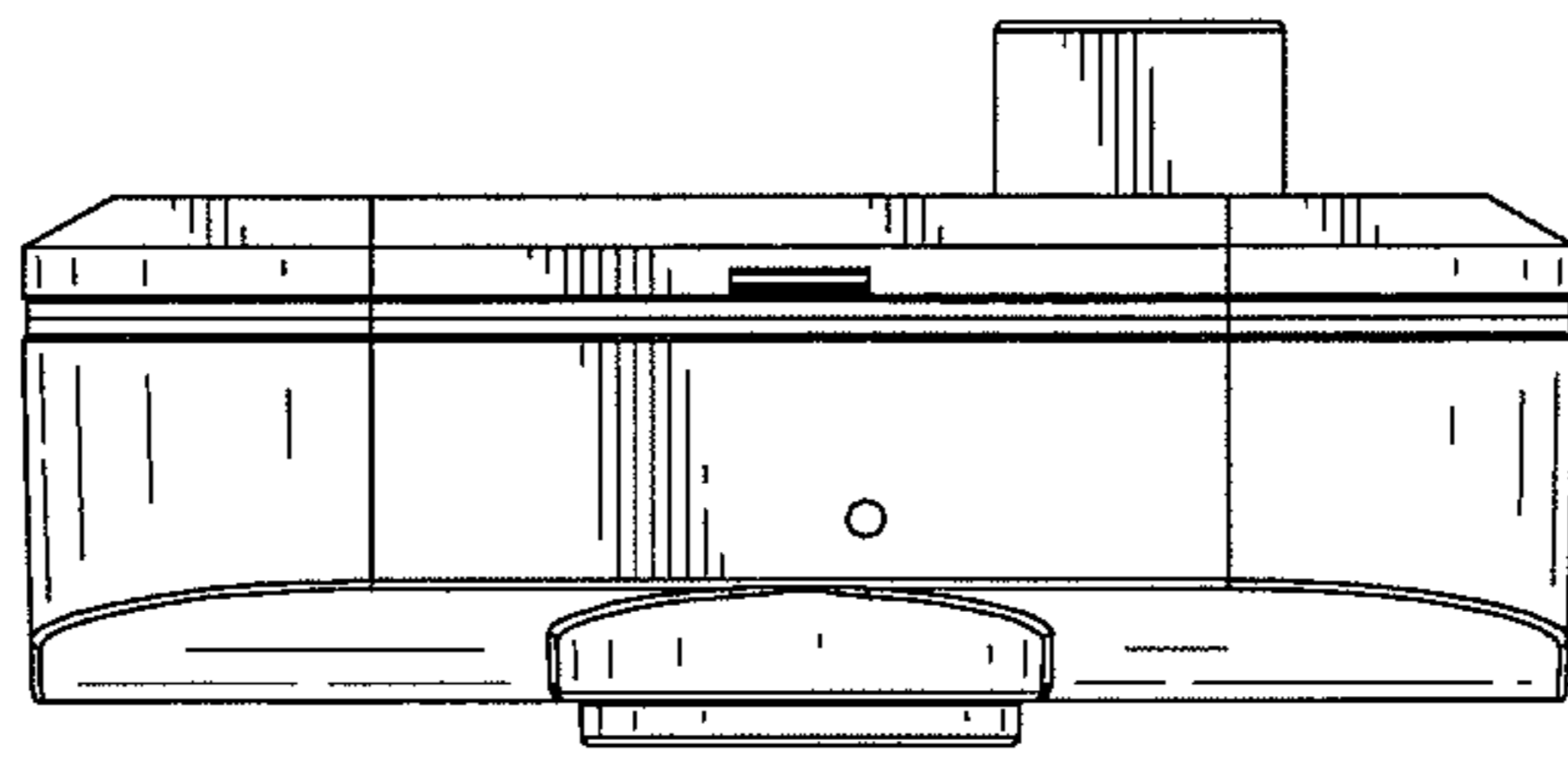


FIG.5

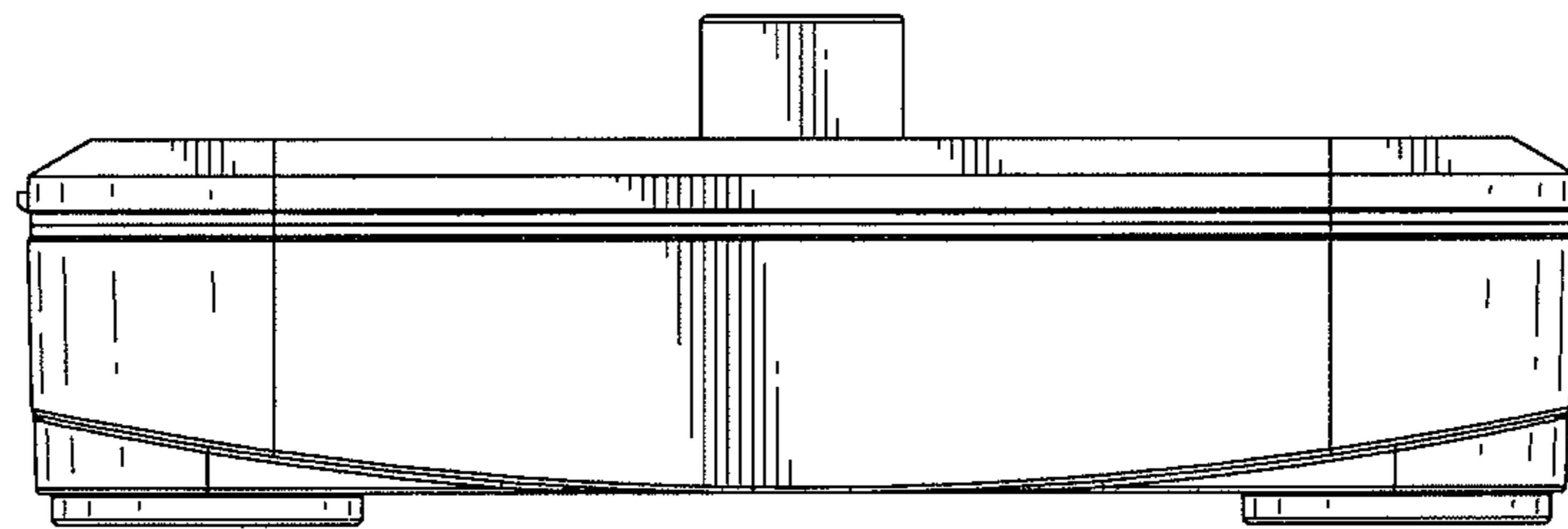


FIG.6

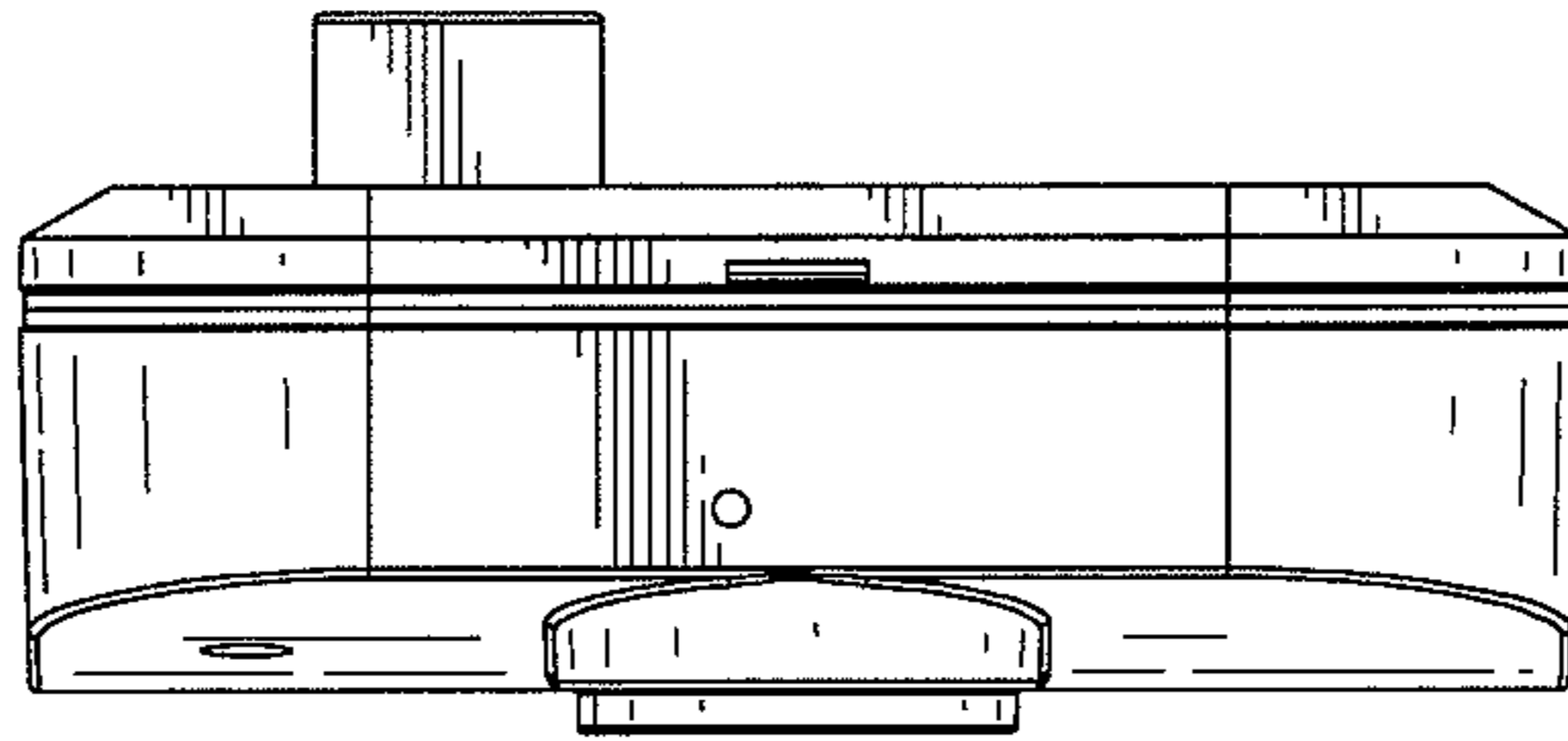


FIG. 7

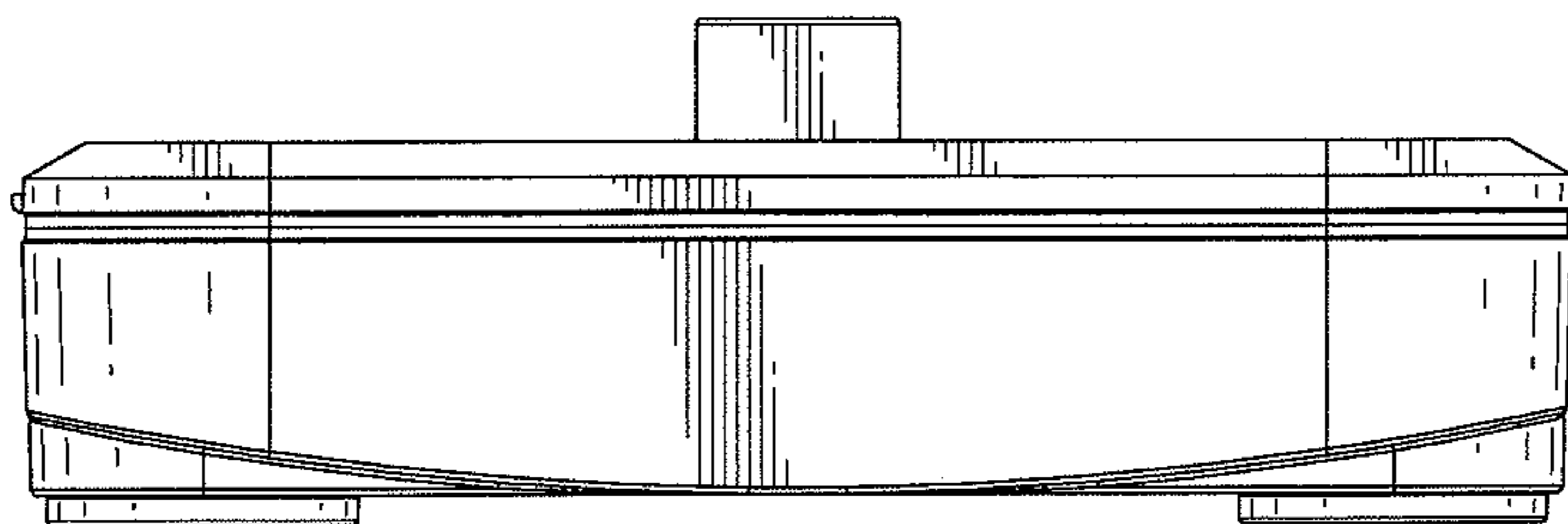


FIG. 8

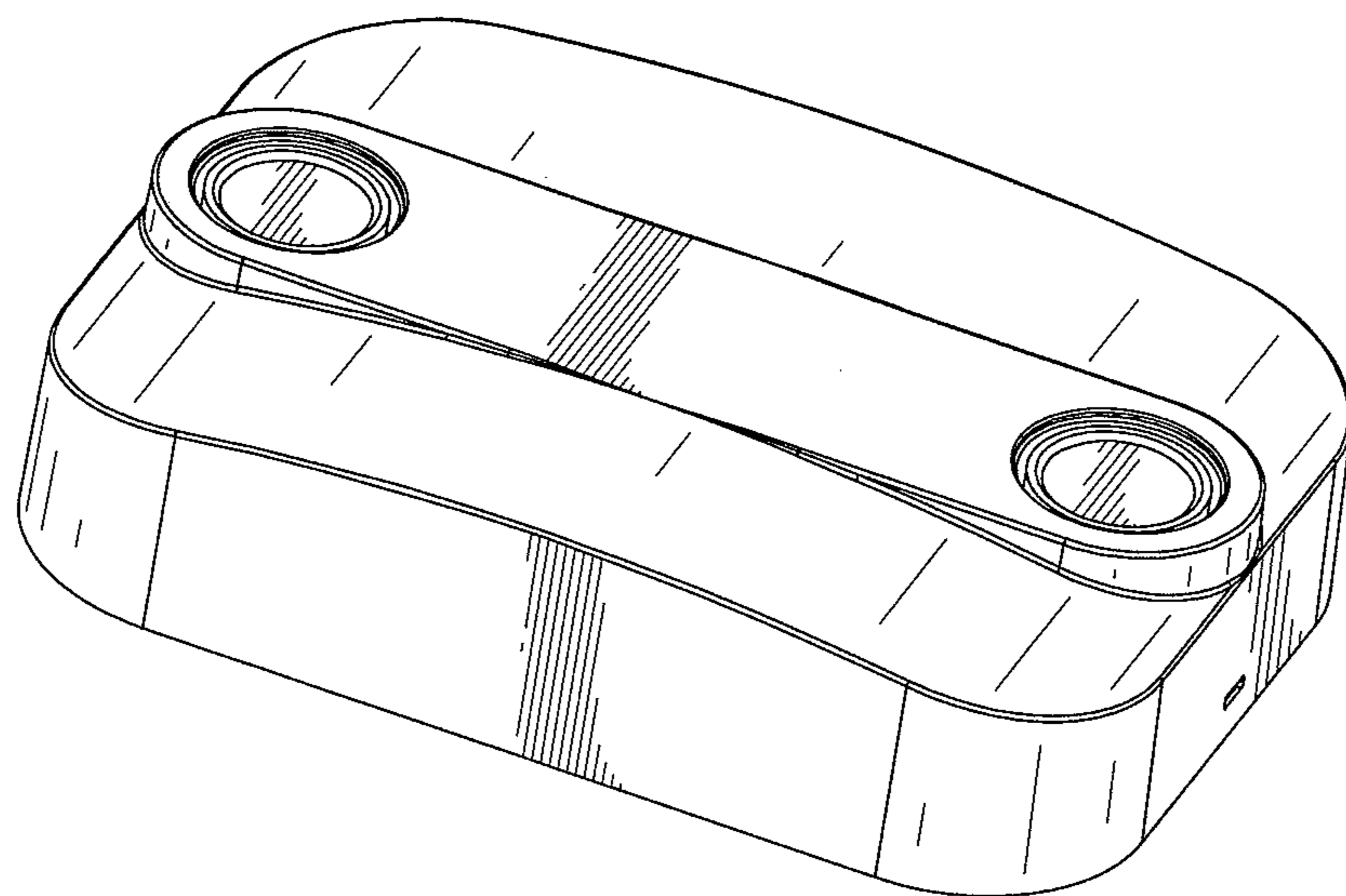


FIG.9

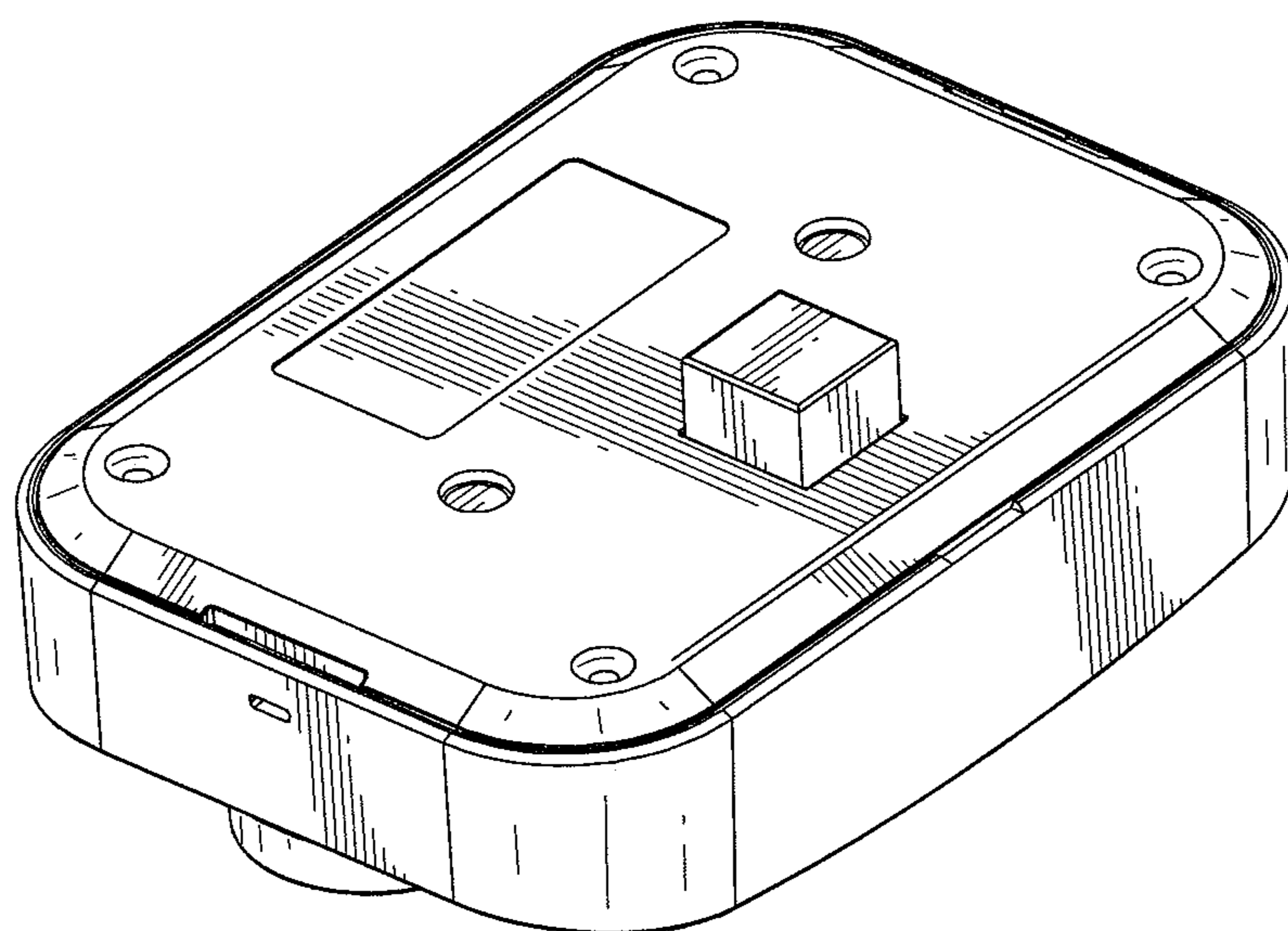


FIG.10

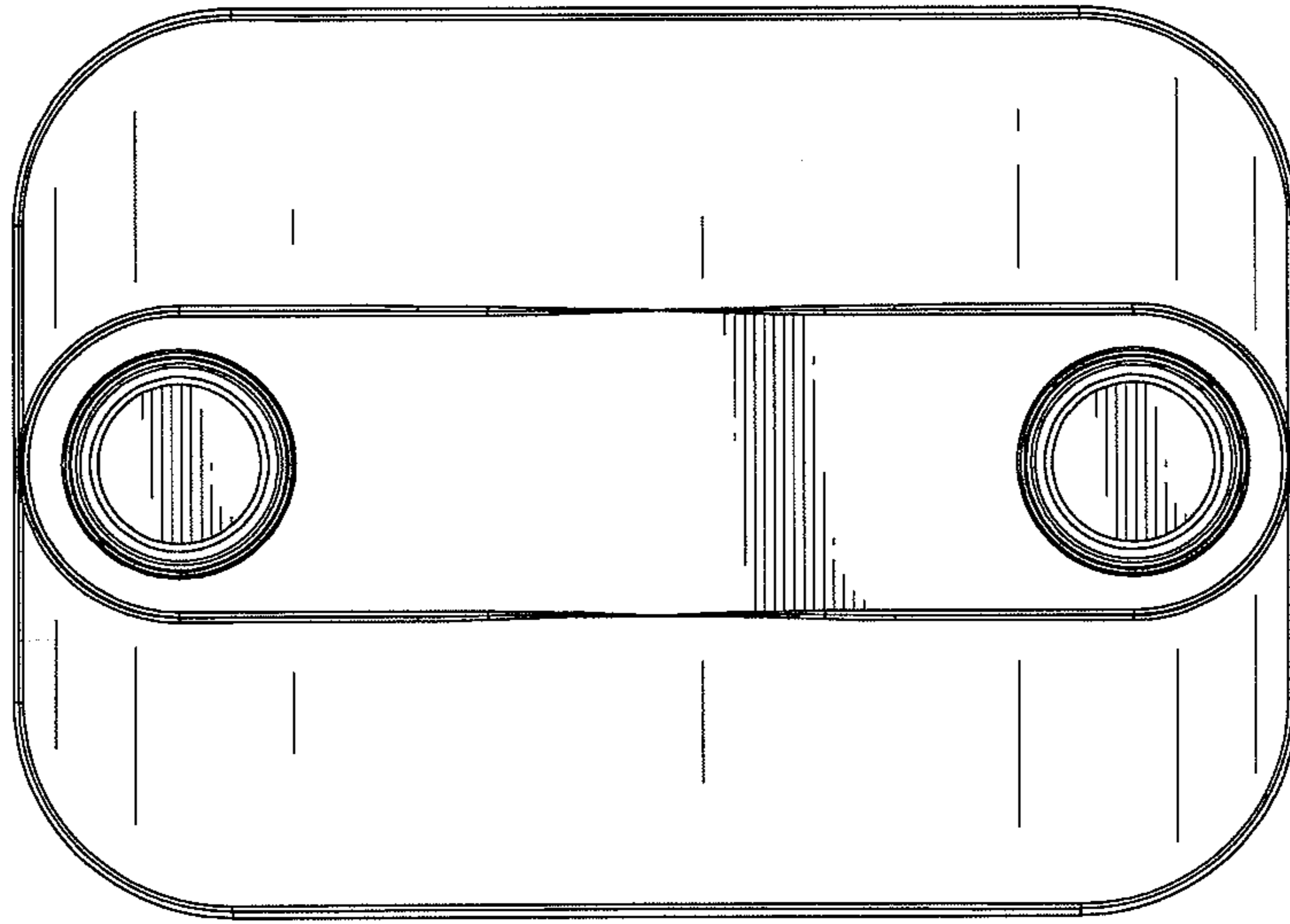


FIG. 11

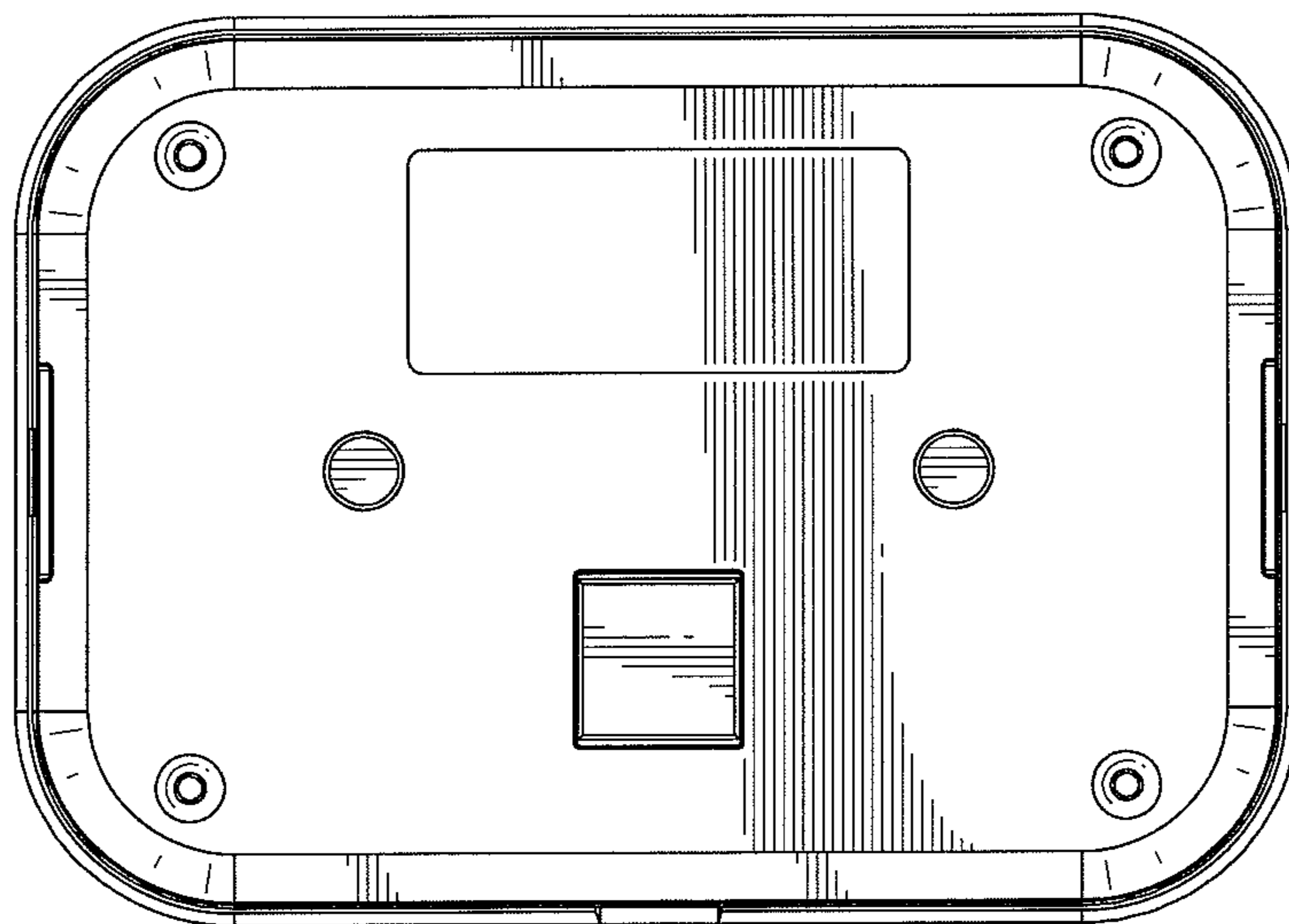


FIG. 12

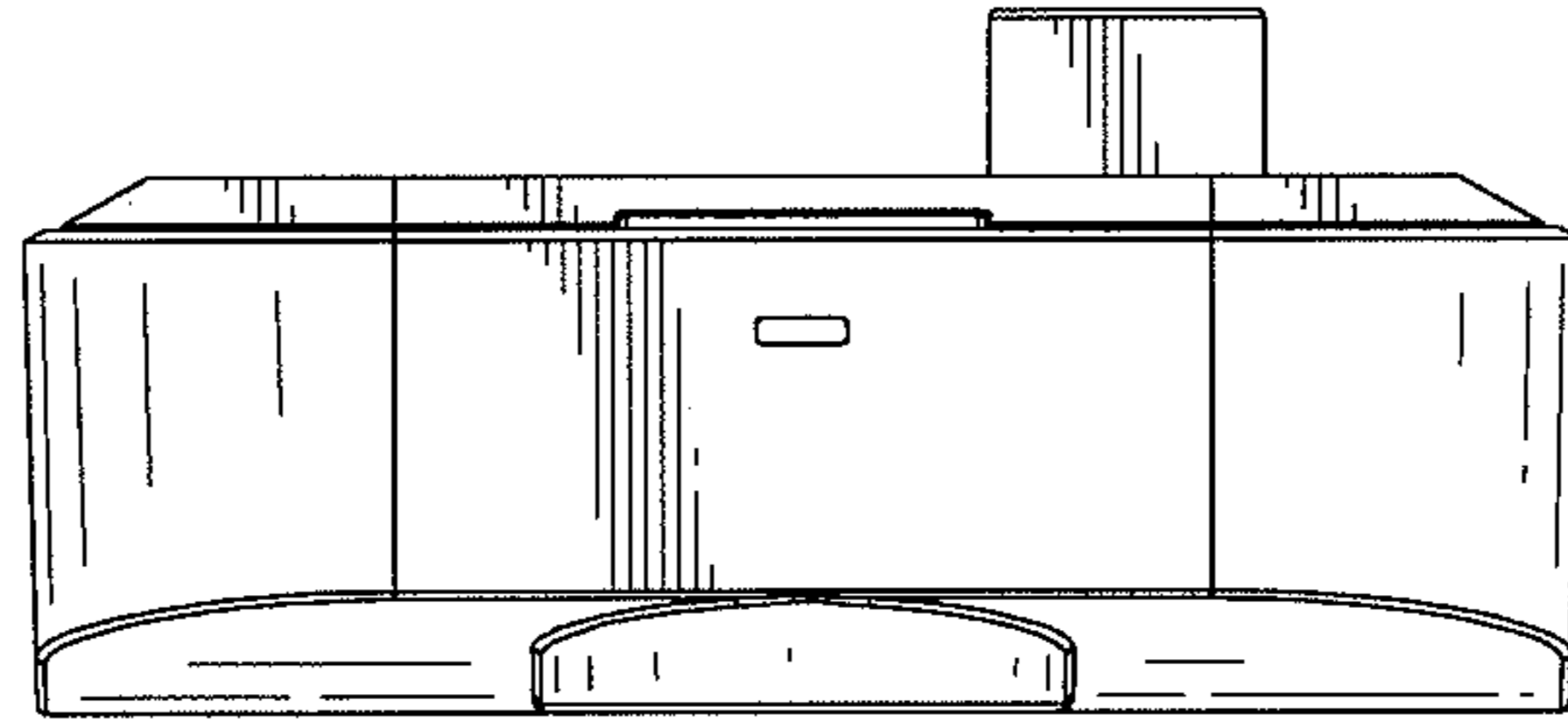


FIG.13

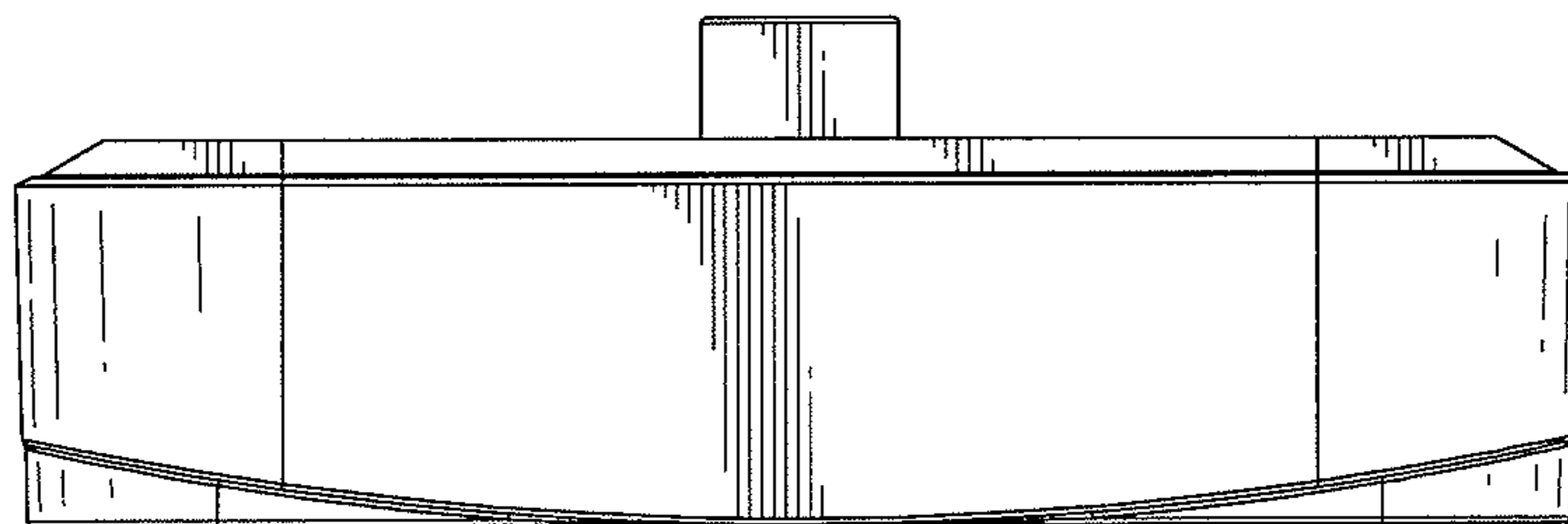


FIG.14

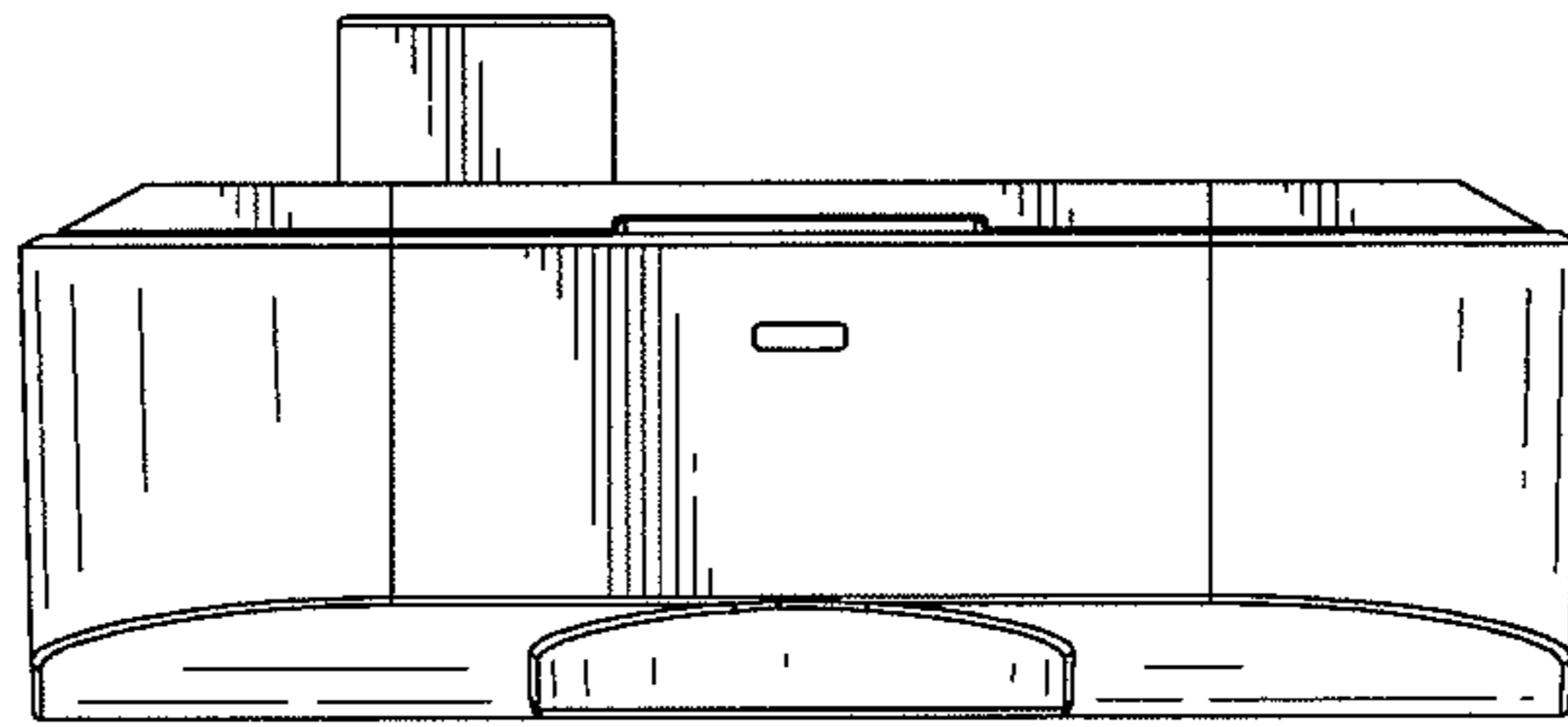


FIG. 15

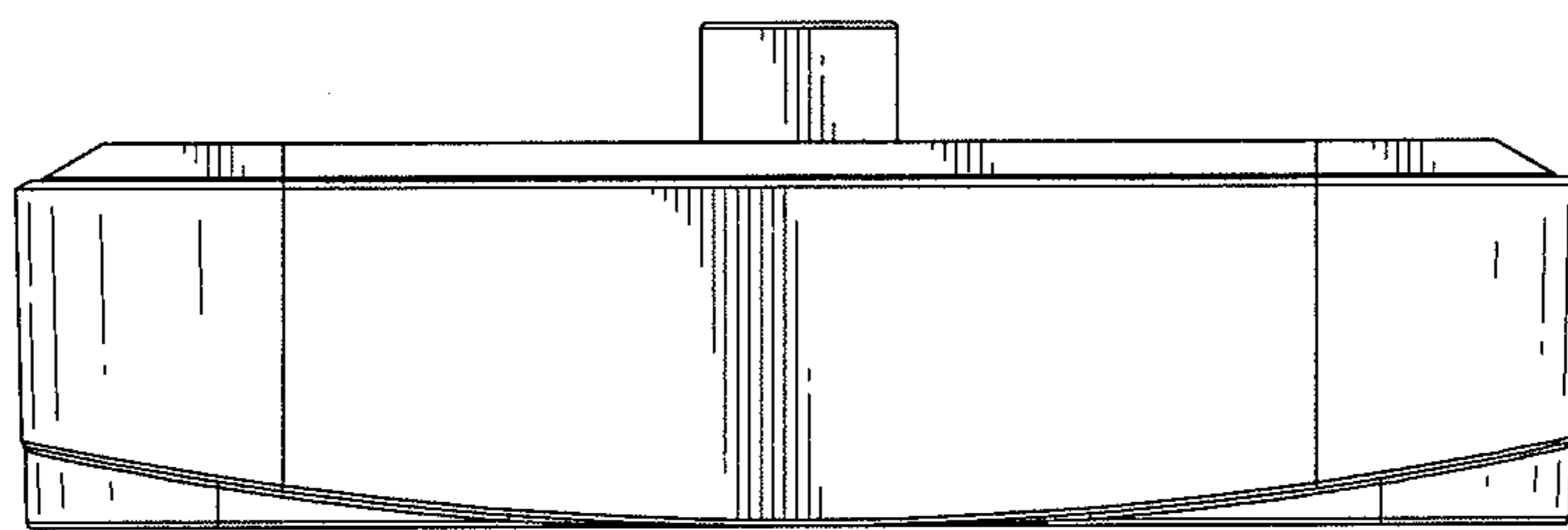


FIG. 16