



US00D780610S

(12) **United States Design Patent**  
**Ogden**

(10) **Patent No.:** **US D780,610 S**

(45) **Date of Patent:** **\*\* Mar. 7, 2017**

(54) **DOUBLE NIPPLE FLOWSTREAM**

*Primary Examiner* — Antoine D Davis

(71) Applicant: **Bryan Randall Ogden**, Midland, TX  
(US)

(74) *Attorney, Agent, or Firm* — Dunlap Bennett & Ludwig PLLC

(72) Inventor: **Bryan Randall Ogden**, Midland, TX  
(US)

(57) **CLAIM**

The ornamental design for a double nipple flowstream, as shown and described.

(\*\*) Term: **15 Years**

**DESCRIPTION**

(21) Appl. No.: **29/536,562**

FIG. 1 is a top perspective view of a double nipple flowstream;

(22) Filed: **Aug. 18, 2015**

FIG. 2 is a front elevation view thereof;

(51) **LOC (10) Cl.** ..... **10-04**

FIG. 3 is a rear elevation view thereof;

(52) **U.S. Cl.**

FIG. 4 is a left side elevation view thereof;

USPC ..... **D10/96**

FIG. 5 is a right side elevation view;

(58) **Field of Classification Search**

FIG. 6 is a top plan view thereof; and,

USPC ..... D10/96

FIG. 7 is a bottom plan view thereof.

CPC ..... G01F 1/662; G01F 15/06; G01F 15/14

The broken lines shown in the drawings illustrate portions of the double nipple flowstream that form no part of the claimed design.

See application file for complete search history.

The cutaway symbols illustrated in break lines in the drawings indicate a symbolic break in the length of the design for the double nipple flowstream indicating an indeterminate length. The appearance of any portion of the article between the break lines forms no part of the claimed design.

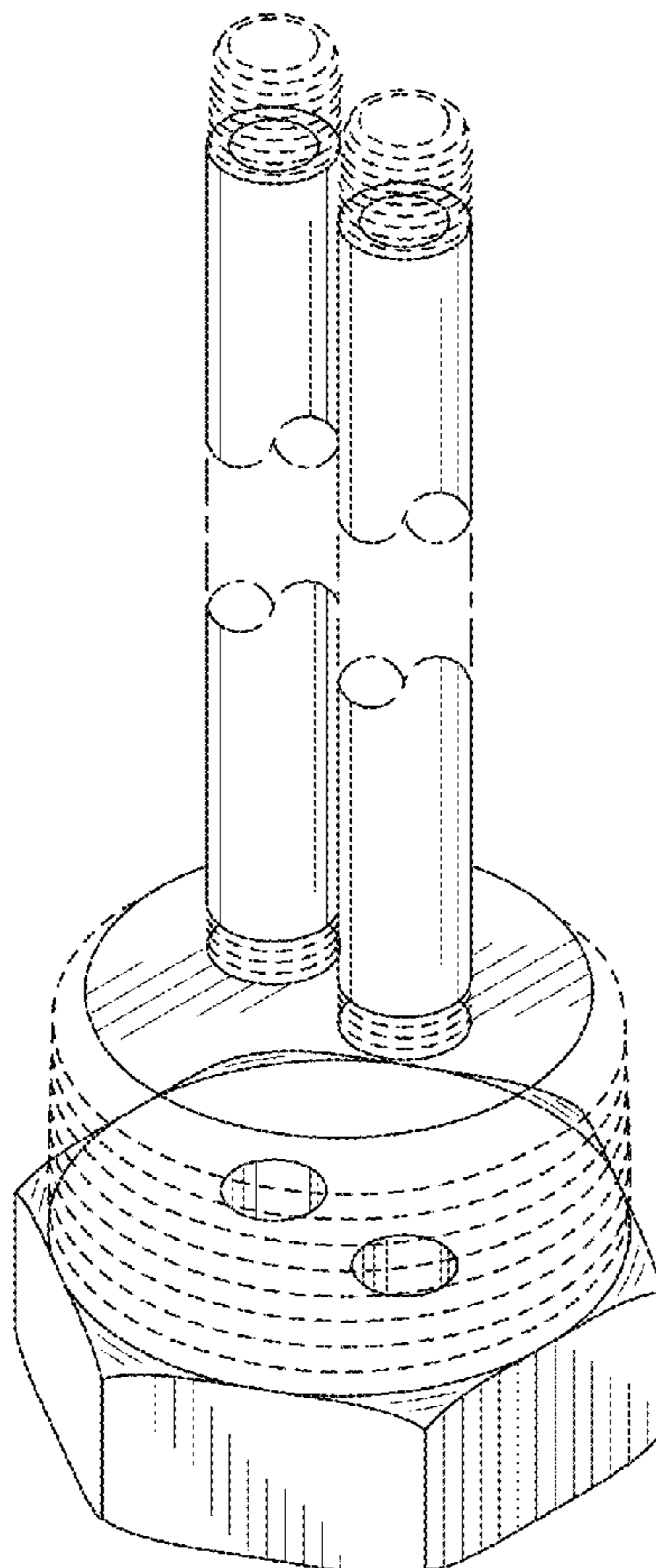
(56) **References Cited**

**U.S. PATENT DOCUMENTS**

D707,577 S \* 6/2014 Marx ..... D10/96

\* cited by examiner

**1 Claim, 4 Drawing Sheets**



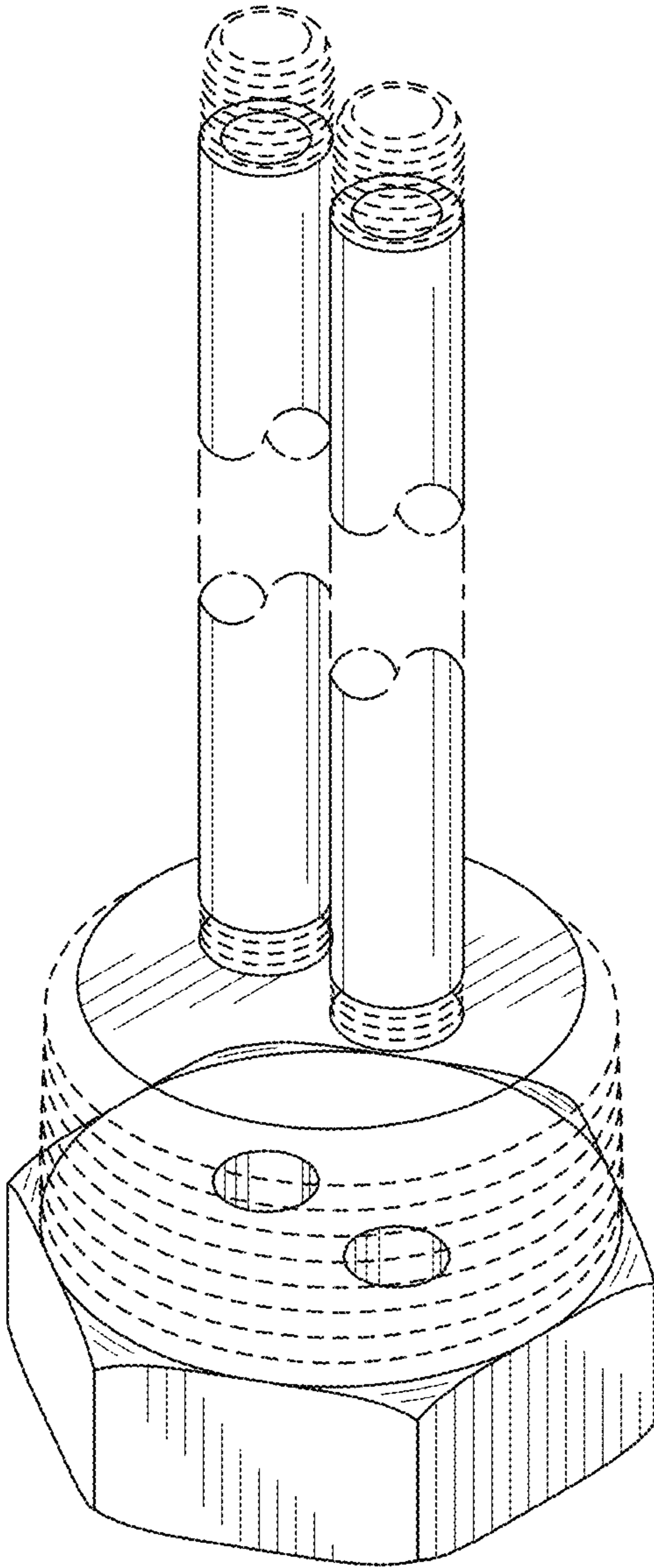


FIG. 1

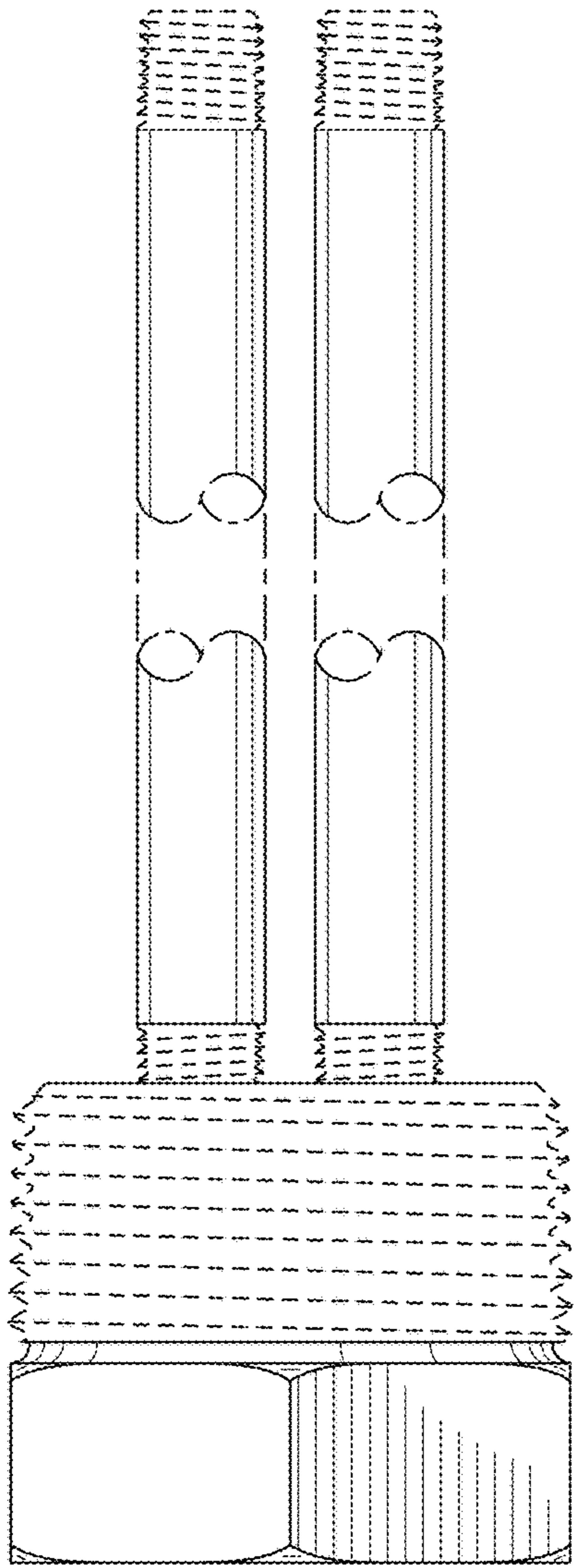


FIG. 2

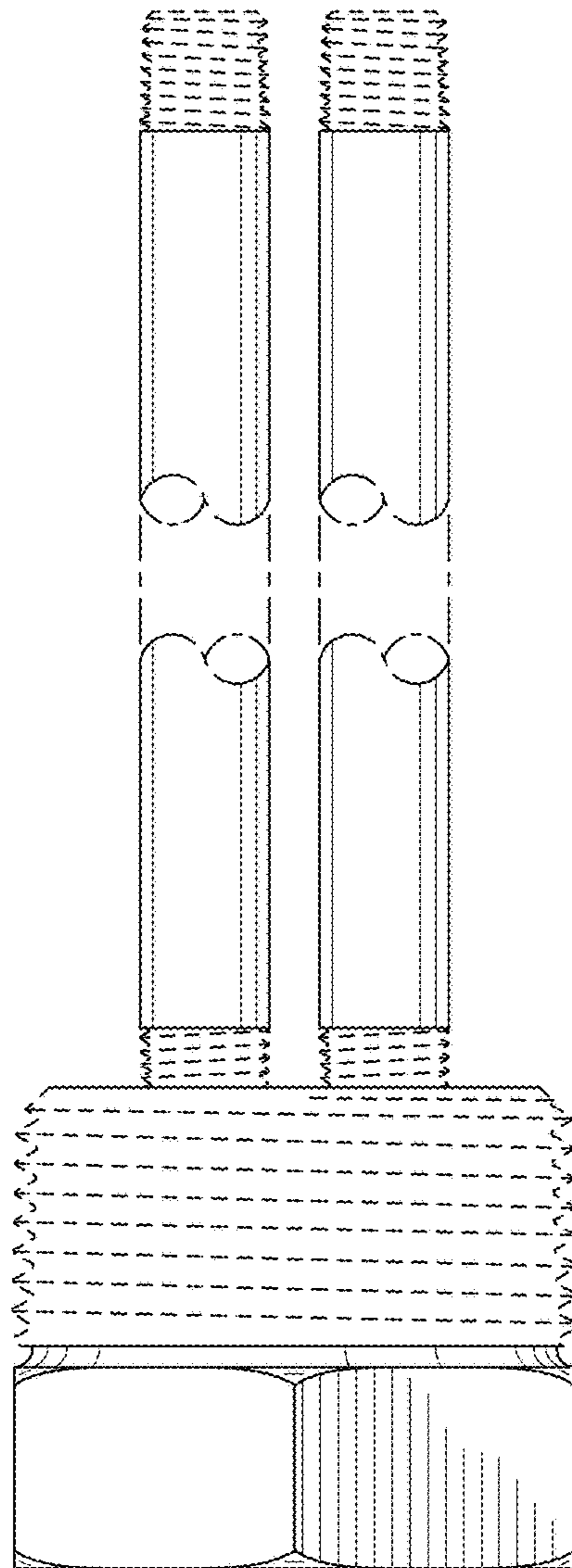


FIG. 3

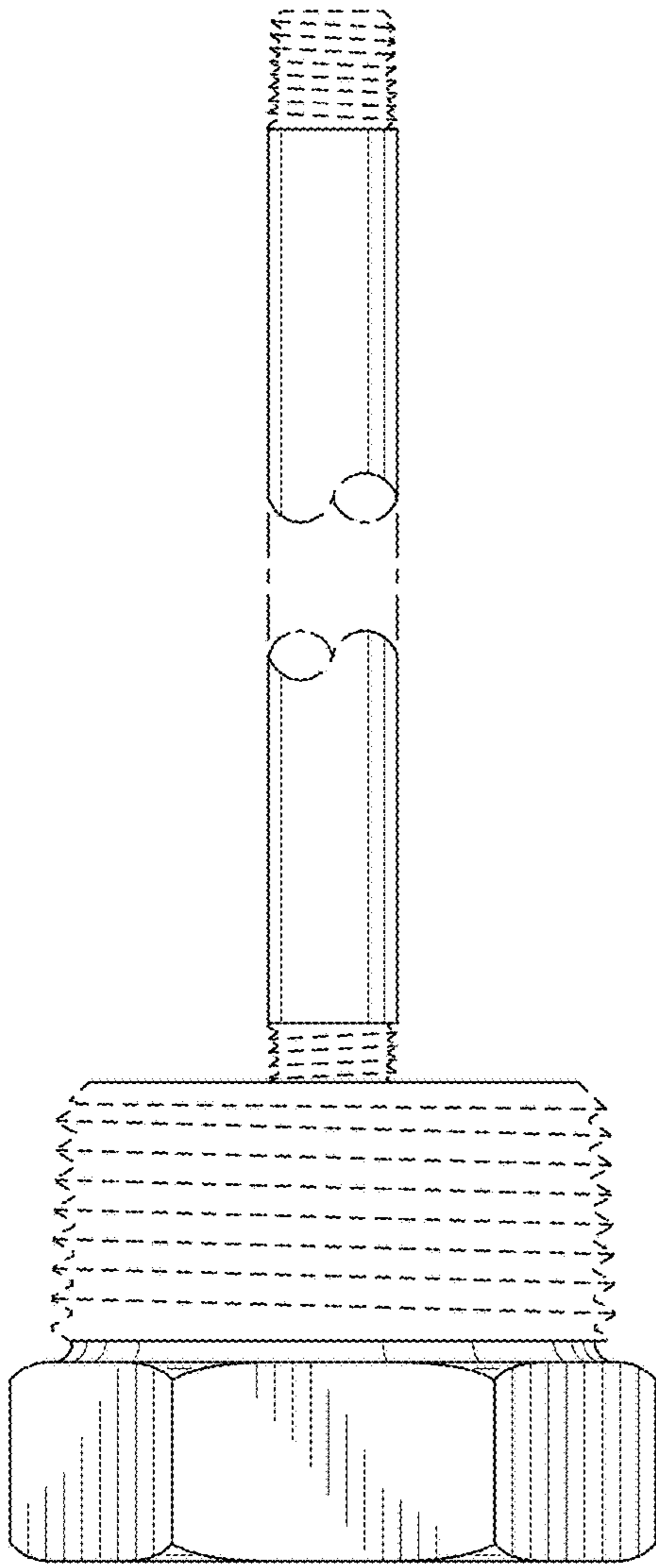


FIG. 4

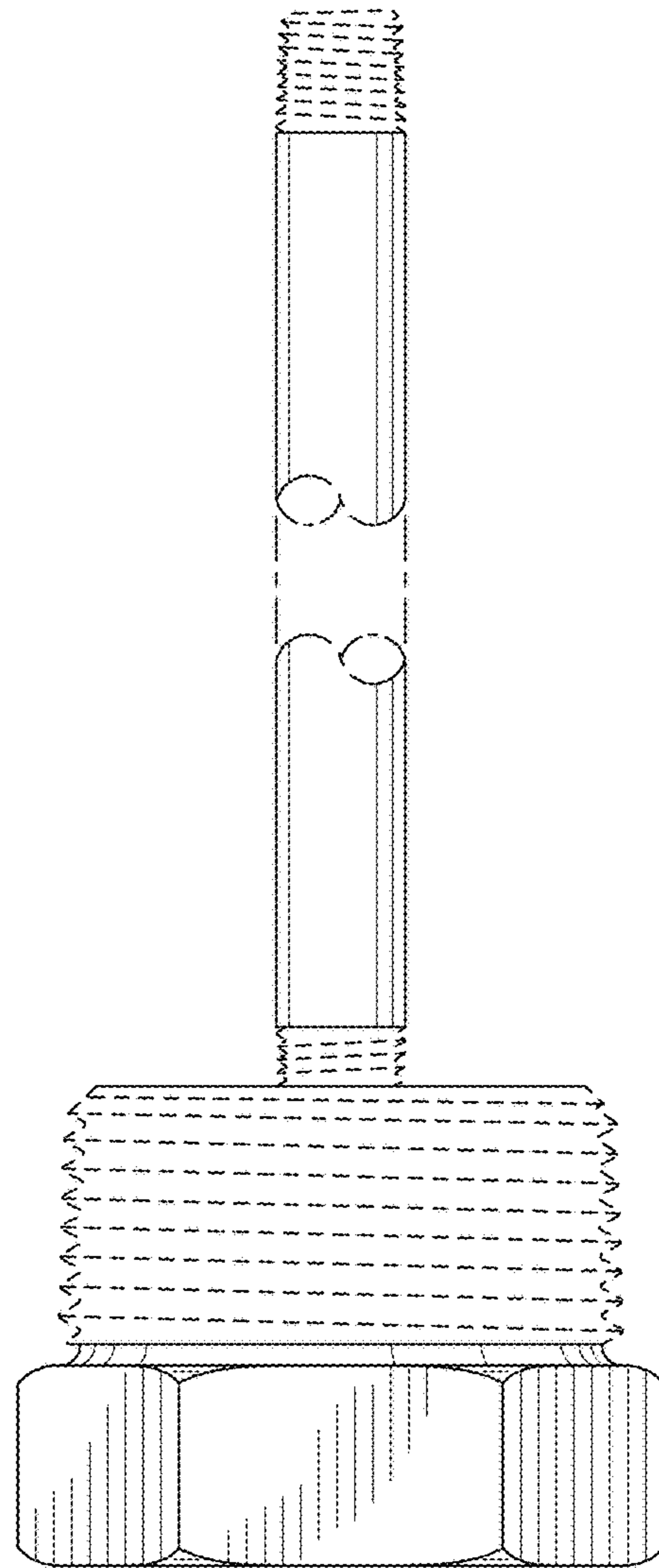


FIG. 5

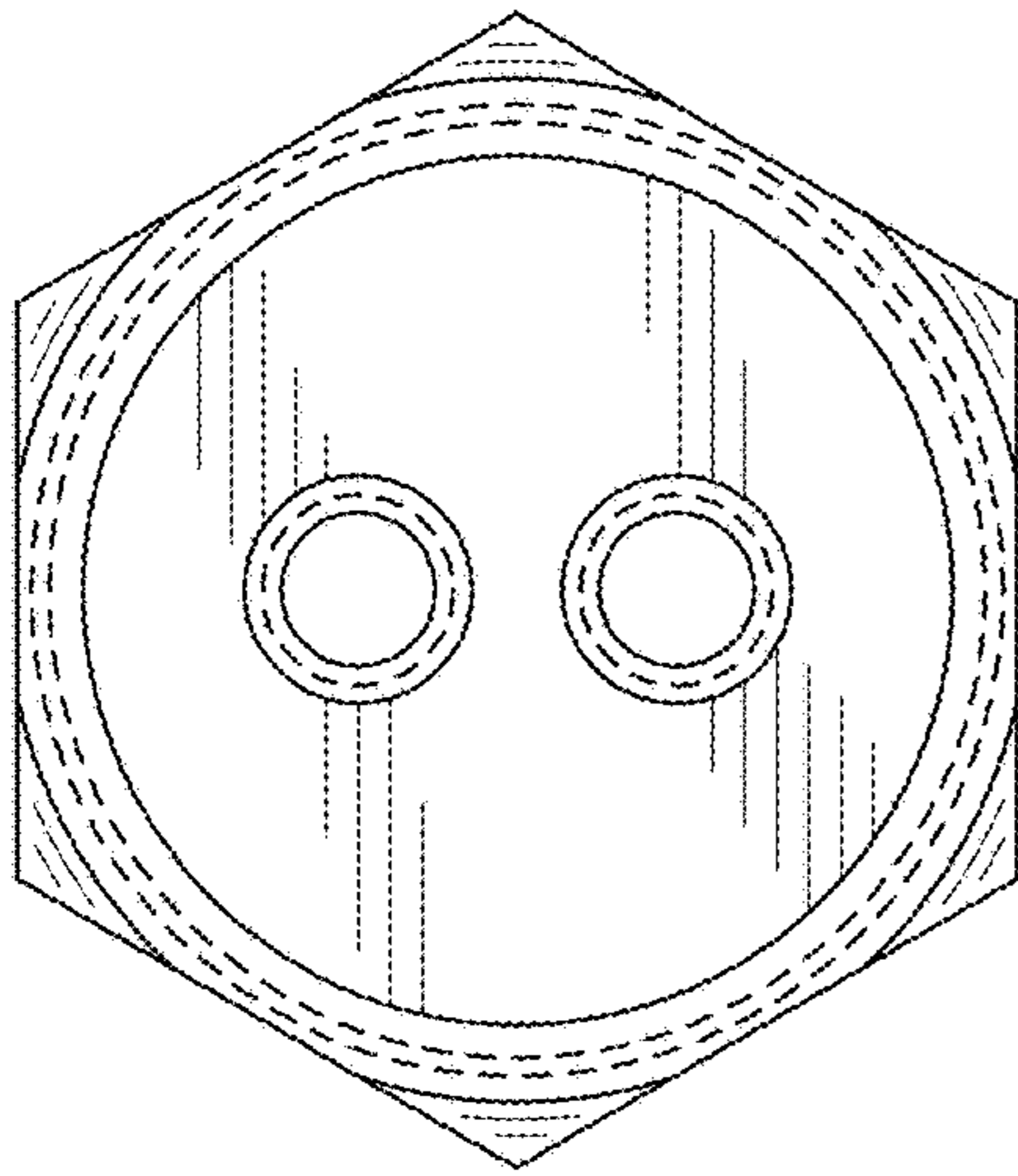


FIG. 6

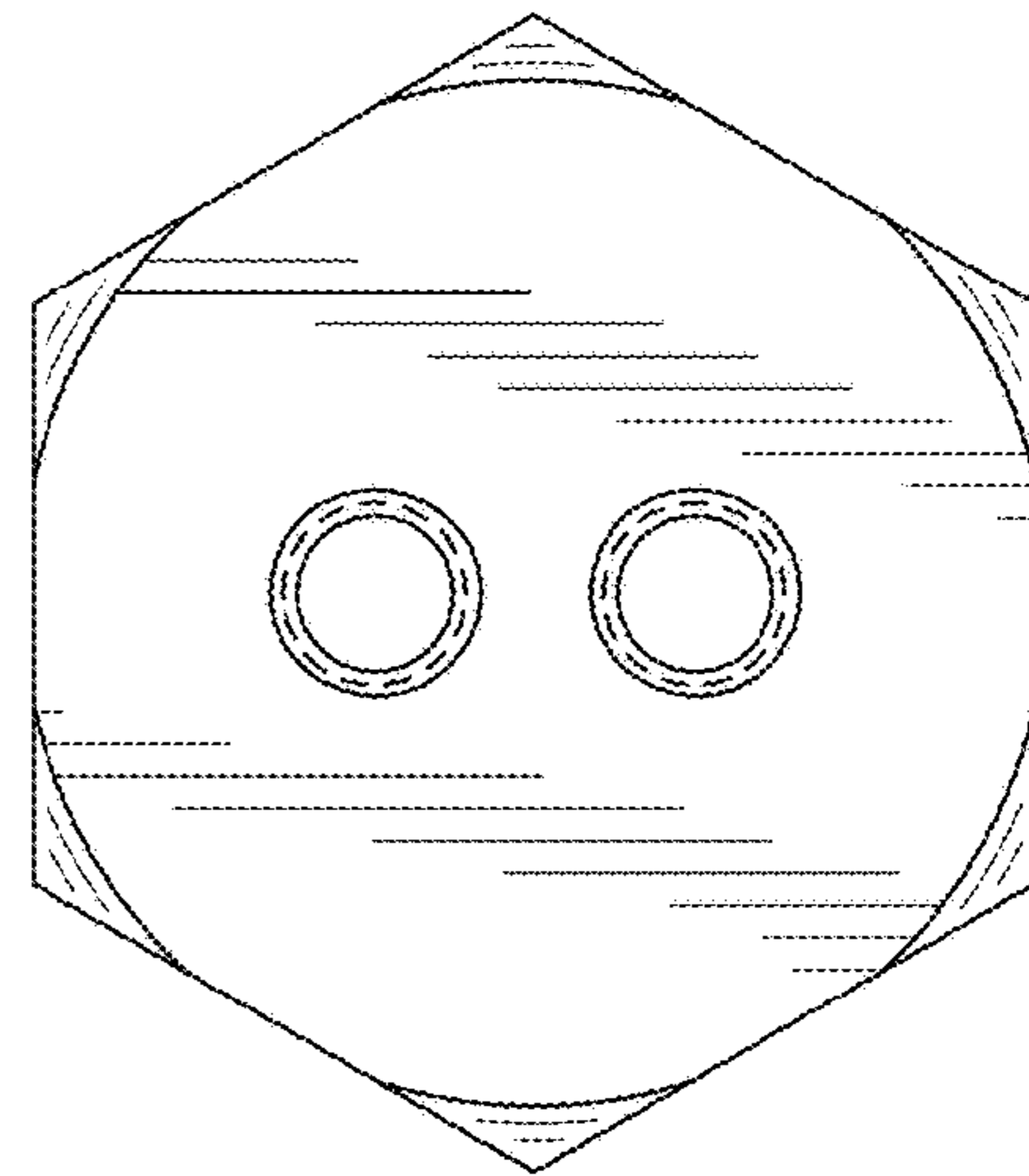


FIG. 7