



US00D780608S

(12) **United States Design Patent**
Lomas

(10) **Patent No.:** **US D780,608 S**
(45) **Date of Patent:** **** Mar. 7, 2017**

(54) **REMOTE SITE MONITORING STATION**

(71) Applicant: **LUAU DATA CORPORATION,**
Edmonton (CA)

(72) Inventor: **Stuart Lomas,** Edmonton (CA)

(**) Term: **14 Years**

(21) Appl. No.: **29/521,455**

(22) Filed: **Mar. 24, 2015**

(51) **LOC (10) Cl.** **10-04**

(52) **U.S. Cl.**
USPC **D10/70; D10/106.6; D10/106.9;**
D14/126; D14/129; D16/203

(58) **Field of Classification Search**
USPC **D10/70, 104.1, 106.1, 106.6, 106.9;**
D16/200, 202, 203; D14/126, 129,
D14/135, 314, 336, 337, 371
CPC **G06T 7/004; G06T 7/0042; G06T 7/044;**
G06T 7/0046; G06T 7/2093; G06T 7/20;
G08B 13/194; G08B 13/196; G08B 13/19602;
G08B 13/19604; G08B 13/19606; G08B
13/19608; G08B 13/1961; G08B 13/19613;
G08B 13/19615
See application file for complete search history.

(56) **References Cited**

U.S. PATENT DOCUMENTS

D577,206 S * 9/2008 Chang D6/300
D658,175 S * 4/2012 Goetzen D14/371

D691,500 S * 10/2013 Ryan D10/106.8
D703,626 S * 4/2014 Hermansen D14/126
8,727,644 B2 * 5/2014 Wong H04N 5/2252
396/427
D727,863 S * 4/2015 Sung D14/126
D732,596 S * 6/2015 Wang D16/203

* cited by examiner

Primary Examiner — Antoine D Davis

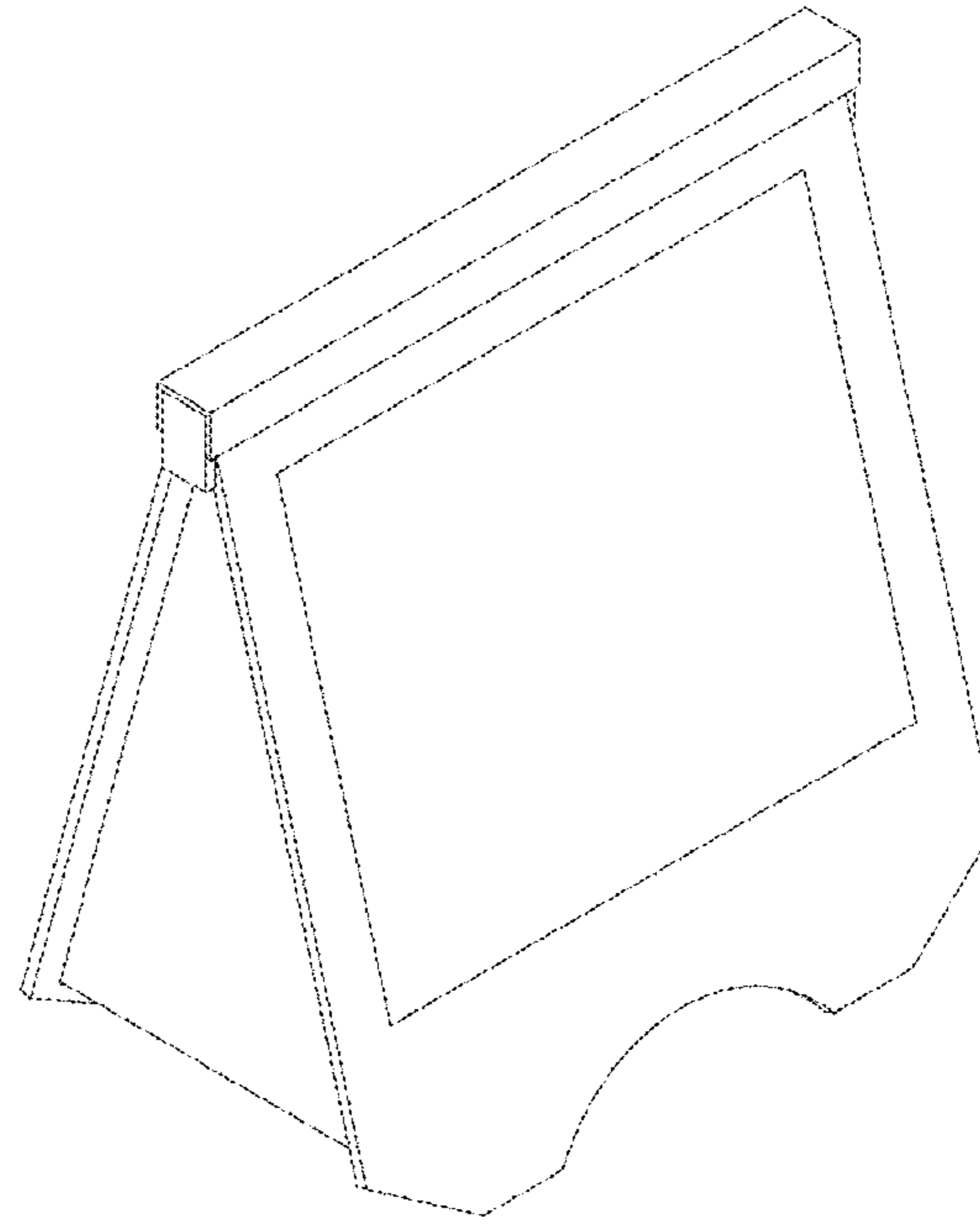
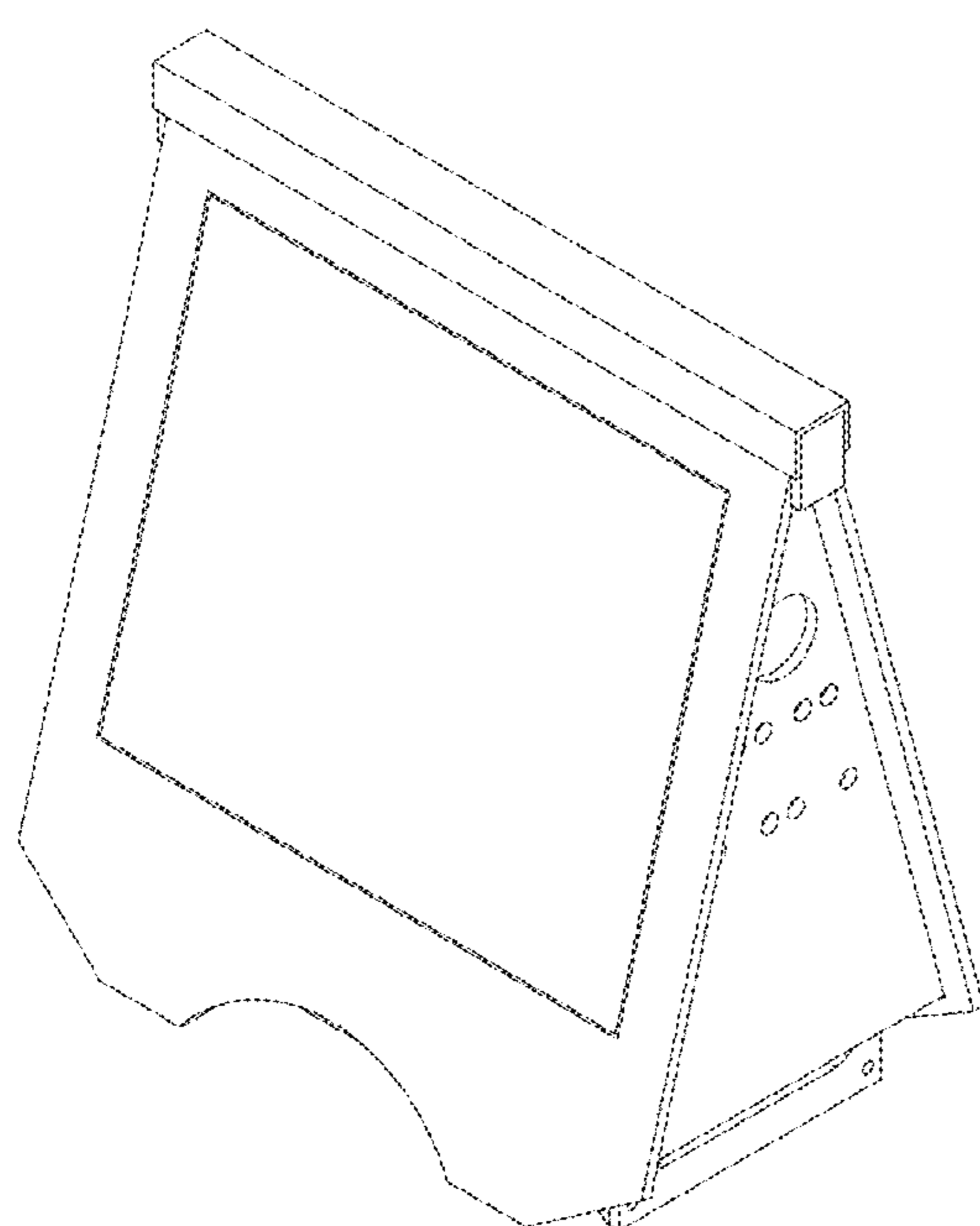
(57) **CLAIM**

I claim the ornamental design for a remote site monitoring station, as shown and described.

DESCRIPTION

FIG. 1 is a left side elevation view of a remote site monitoring station.
FIG. 2 is a right side elevation view of the remote site monitoring station shown in FIG. 1.
FIG. 3 is a rear elevation view of the remote site monitoring station shown in FIG. 1.
FIG. 4 is a front elevation view of the remote site monitoring station shown in FIG. 1.
FIG. 5 is a top plan view of the remote site monitoring station shown in FIG. 1.
FIG. 6 is a bottom plan view of the remote site monitoring station shown in FIG. 1.
FIG. 7 is a front perspective view of the remote site monitoring station shown in FIG. 1;
FIG. 8 is a rear perspective view of the remote site monitoring station shown in FIG. 1; and,
FIG. 9 is a front perspective view of the remote site monitoring station in an alternate position.

1 Claim, 9 Drawing Sheets



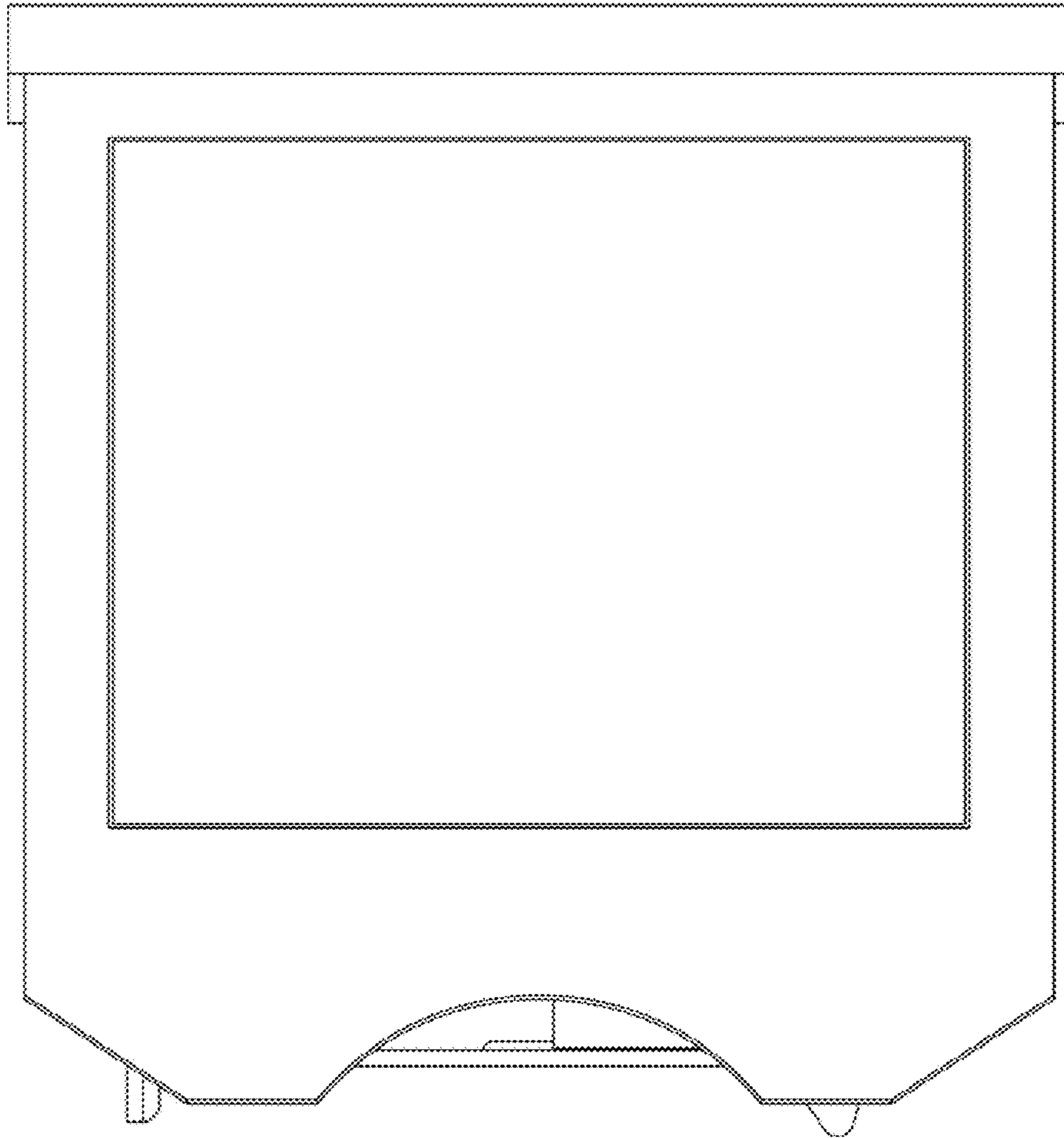


FIG. 1

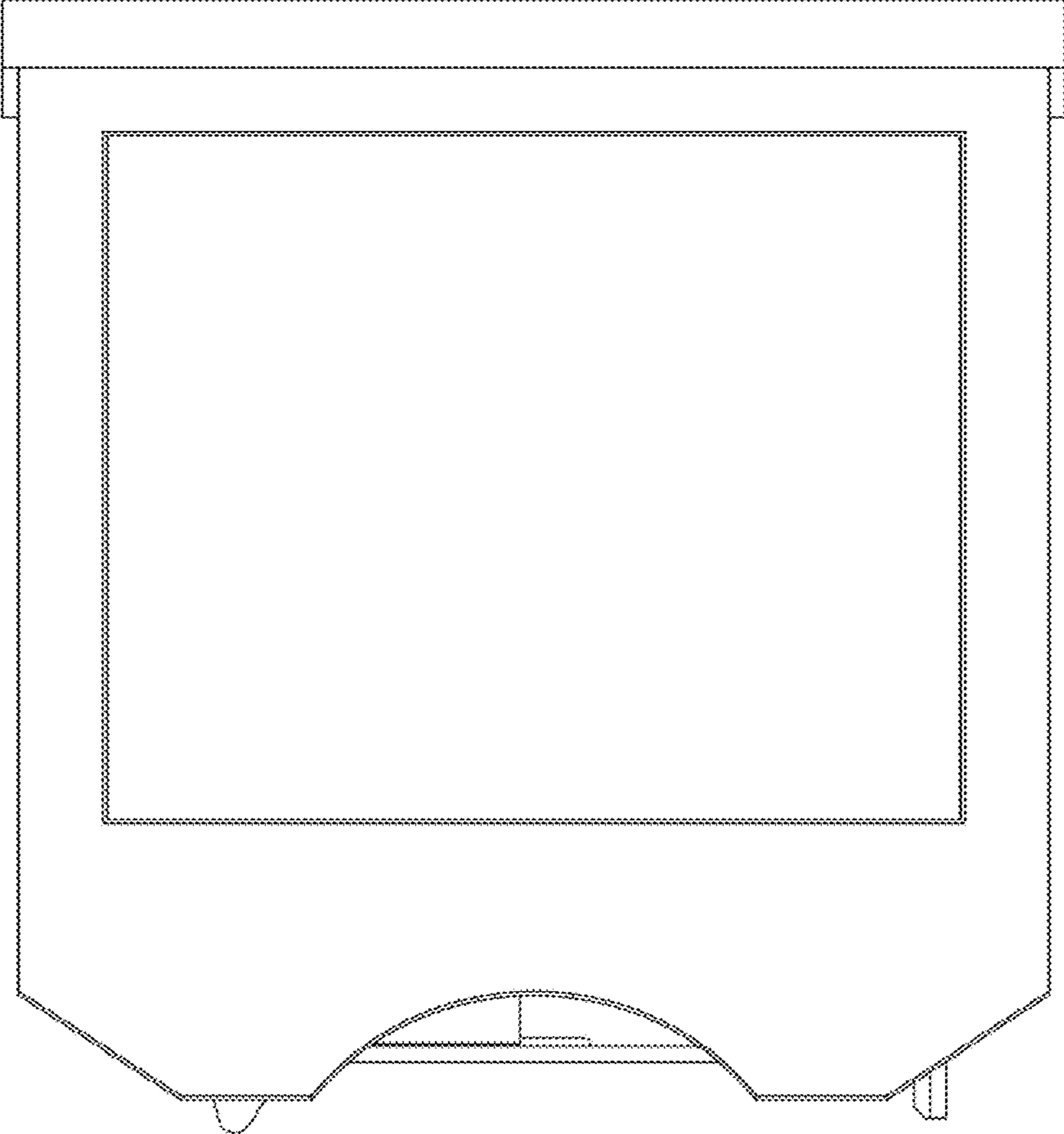


FIG. 2

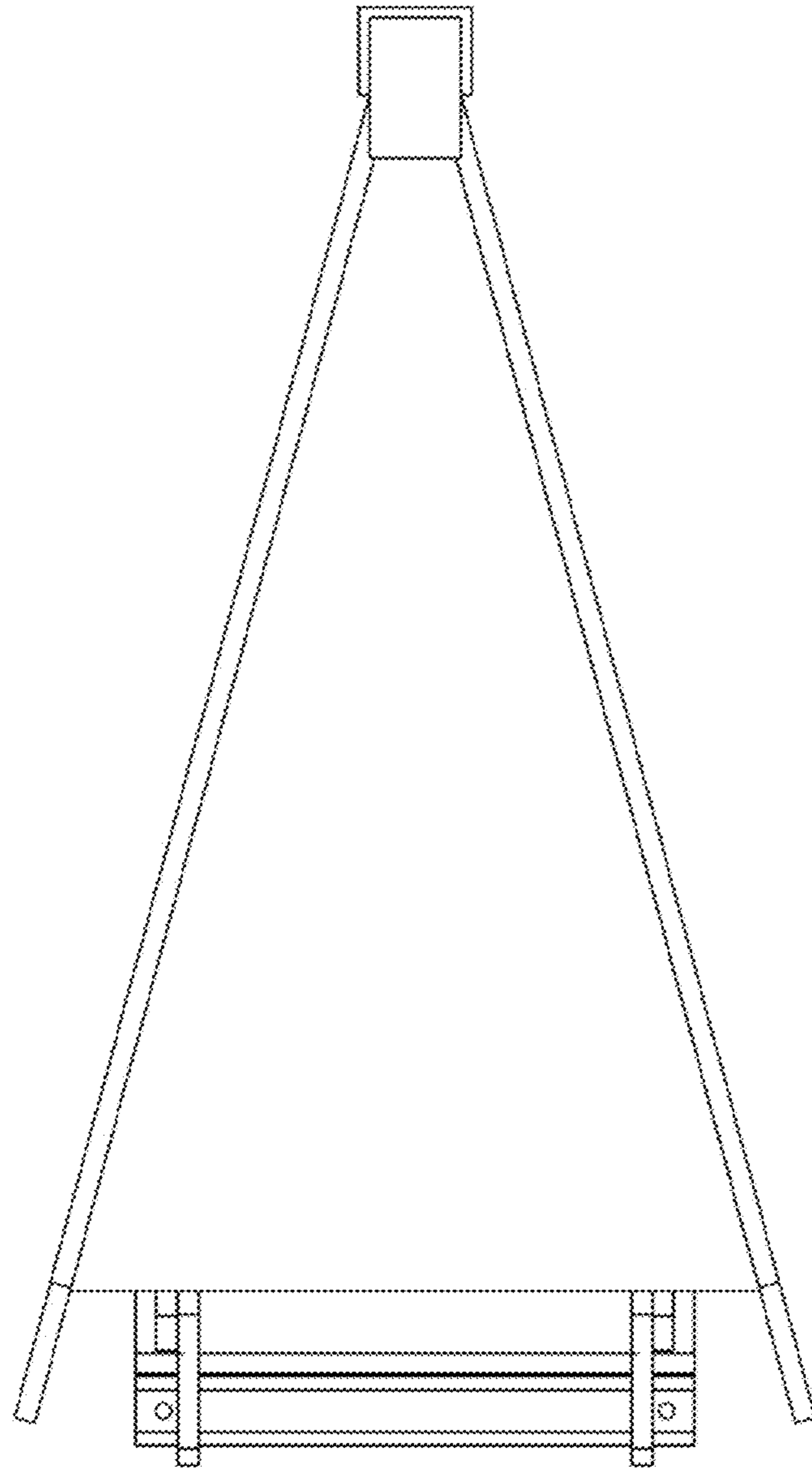


FIG. 3

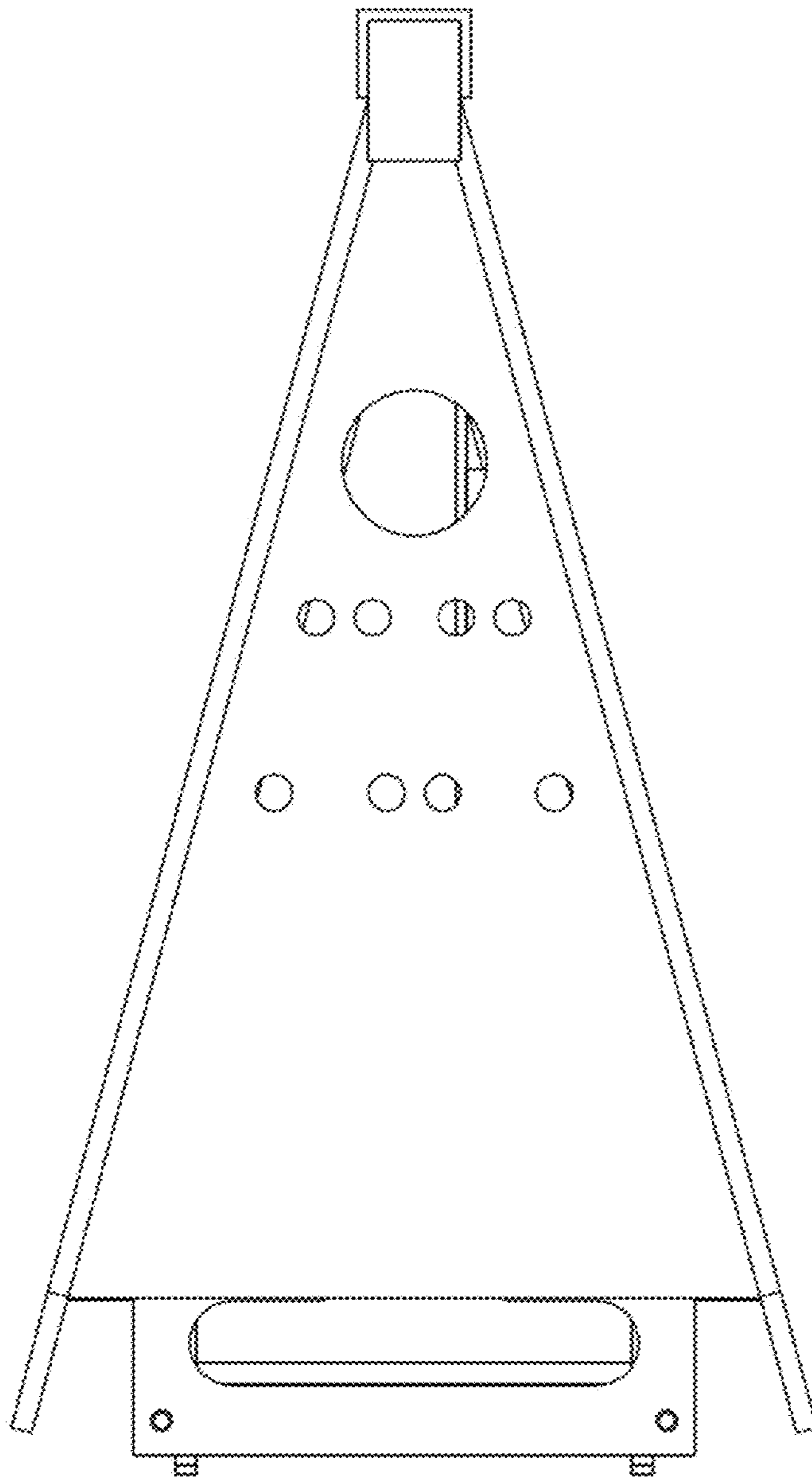


FIG. 4

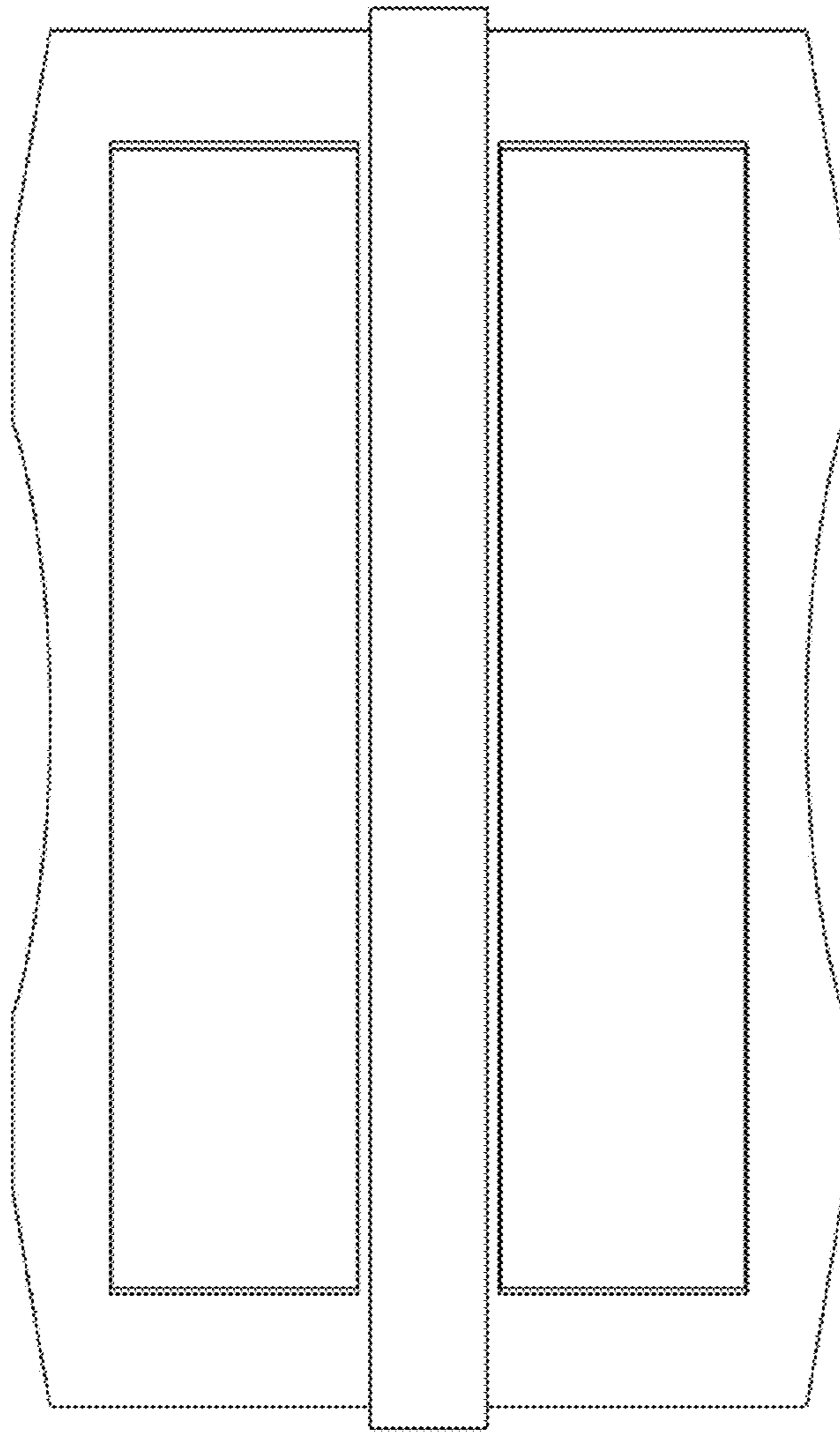


FIG. 5

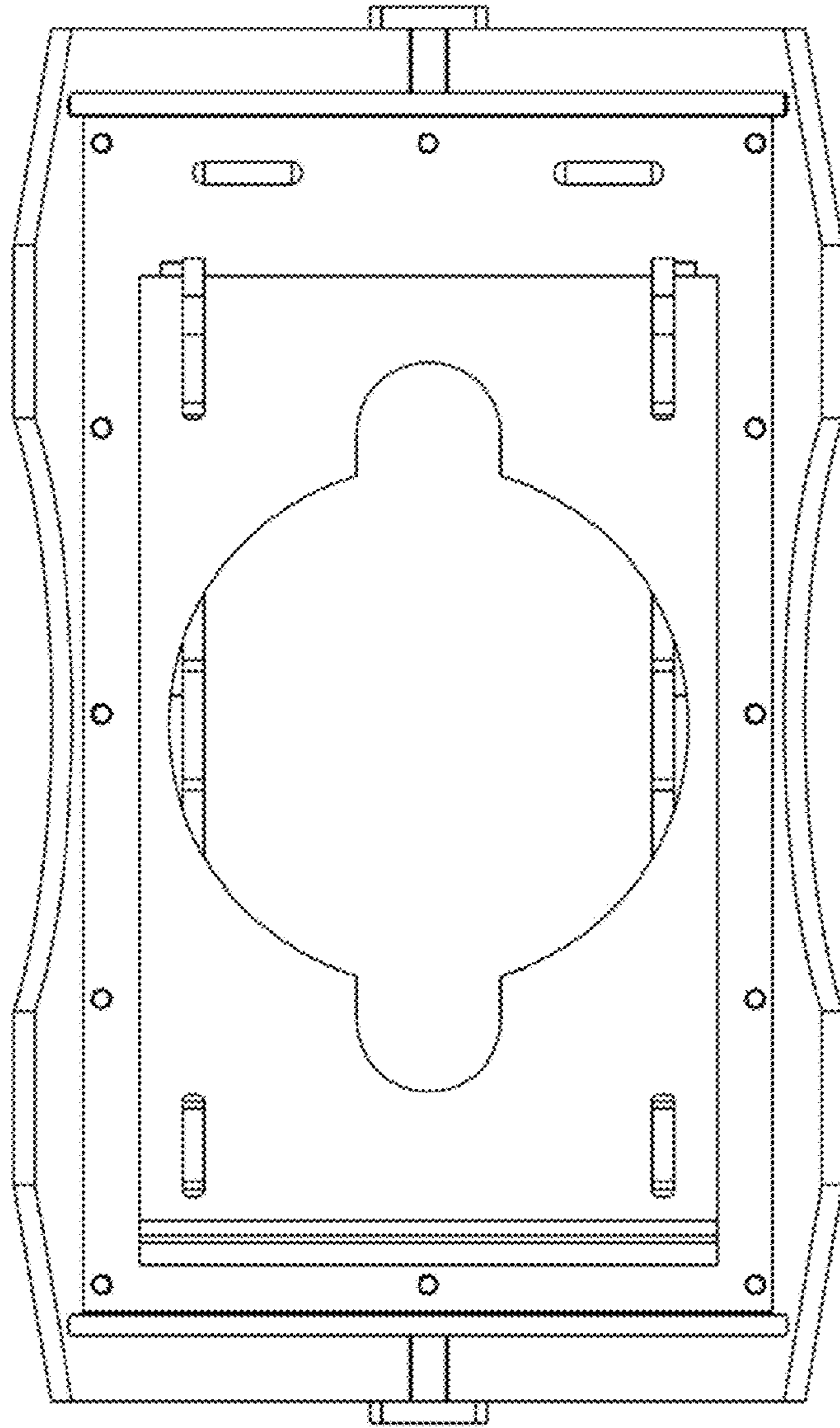


FIG. 6

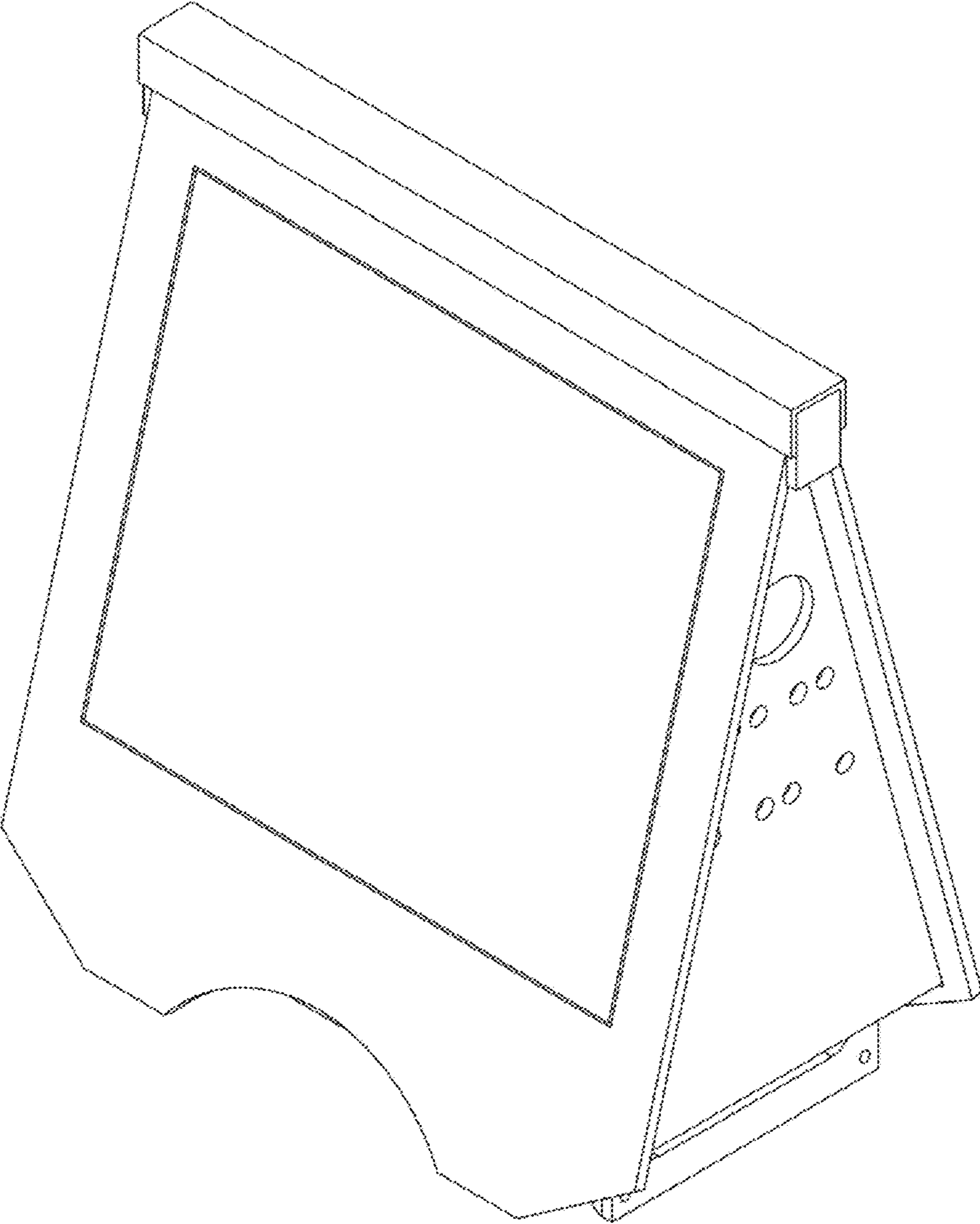


FIG. 7

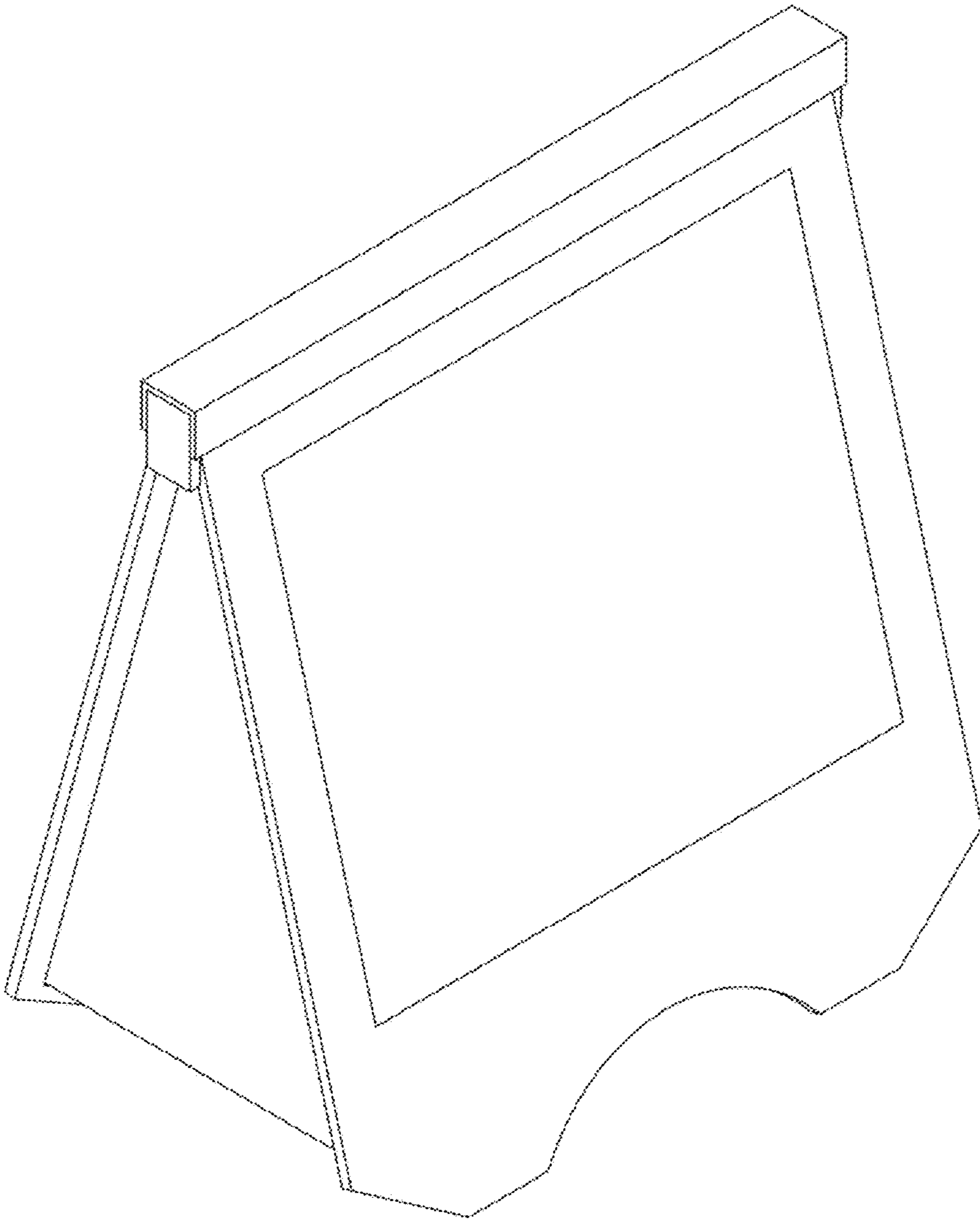


FIG. 8

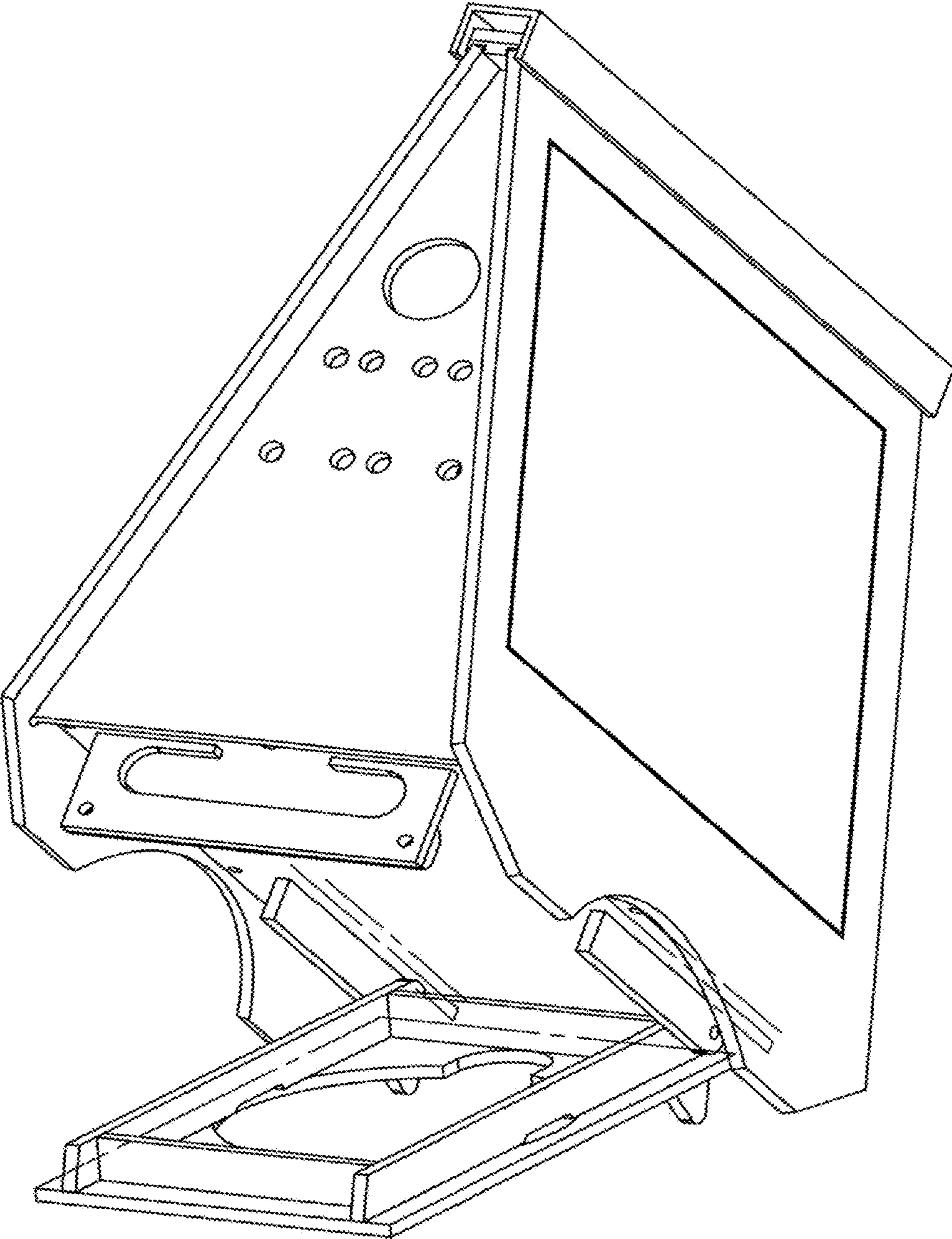


FIG. 9

UNITED STATES PATENT AND TRADEMARK OFFICE
CERTIFICATE OF CORRECTION

PATENT NO. : D780,608 S
APPLICATION NO. : 29/521455
DATED : March 7, 2017
INVENTOR(S) : Stuart Lomas

Page 1 of 1

It is certified that error appears in the above-identified patent and that said Letters Patent is hereby corrected as shown below:

On the Title Page

Insert the following:

--Foreign Application Priority Data

Sep. 24, 2014 (CA) 158873--

Signed and Sealed this
Thirtieth Day of May, 2017



Michelle K. Lee
Director of the United States Patent and Trademark Office