



US00D780607S

(12) **United States Design Patent**  
**Hong**

(10) **Patent No.:** **US D780,607 S**

(45) **Date of Patent:** **\*\* Mar. 7, 2017**

(54) **SPIRIT LEVEL**

(71) Applicant: **Qi Hong**, Zhejiang (CN)

(72) Inventor: **Qi Hong**, Zhejiang (CN)

(\*\*) Term: **15 Years**

(21) Appl. No.: **29/541,909**

(22) Filed: **Oct. 9, 2015**

(51) **LOC (10) Cl.** ..... **10-04**

(52) **U.S. Cl.**  
USPC ..... **D10/69**

(58) **Field of Classification Search**  
USPC ..... D10/69  
CPC ..... G01C 9/24; G01C 9/26; G01C 9/28;  
G01C 9/30; G01C 9/32; G01C  
9/34; G01C 9/36

See application file for complete search history.

(56) **References Cited**

**U.S. PATENT DOCUMENTS**

D646,597 S \* 10/2011 Allemand ..... D10/69

8,061,051 B2 \* 11/2011 Allemand ..... G01C 9/34  
33/370  
D735,062 S \* 7/2015 Wojciechowski ..... D10/69  
D751,428 S \* 3/2016 Johnson ..... D10/69

\* cited by examiner

*Primary Examiner* — Antoine D Davis

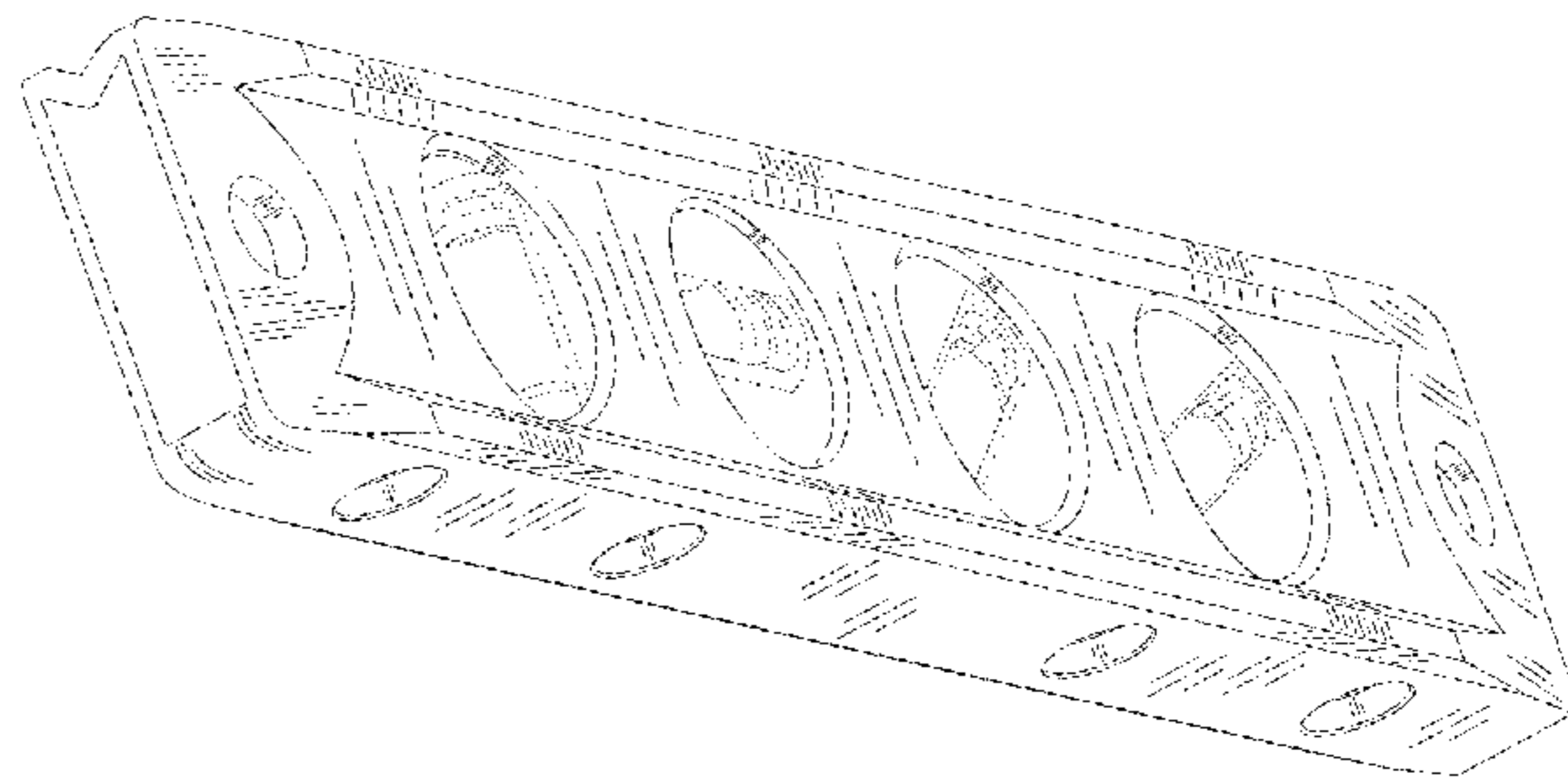
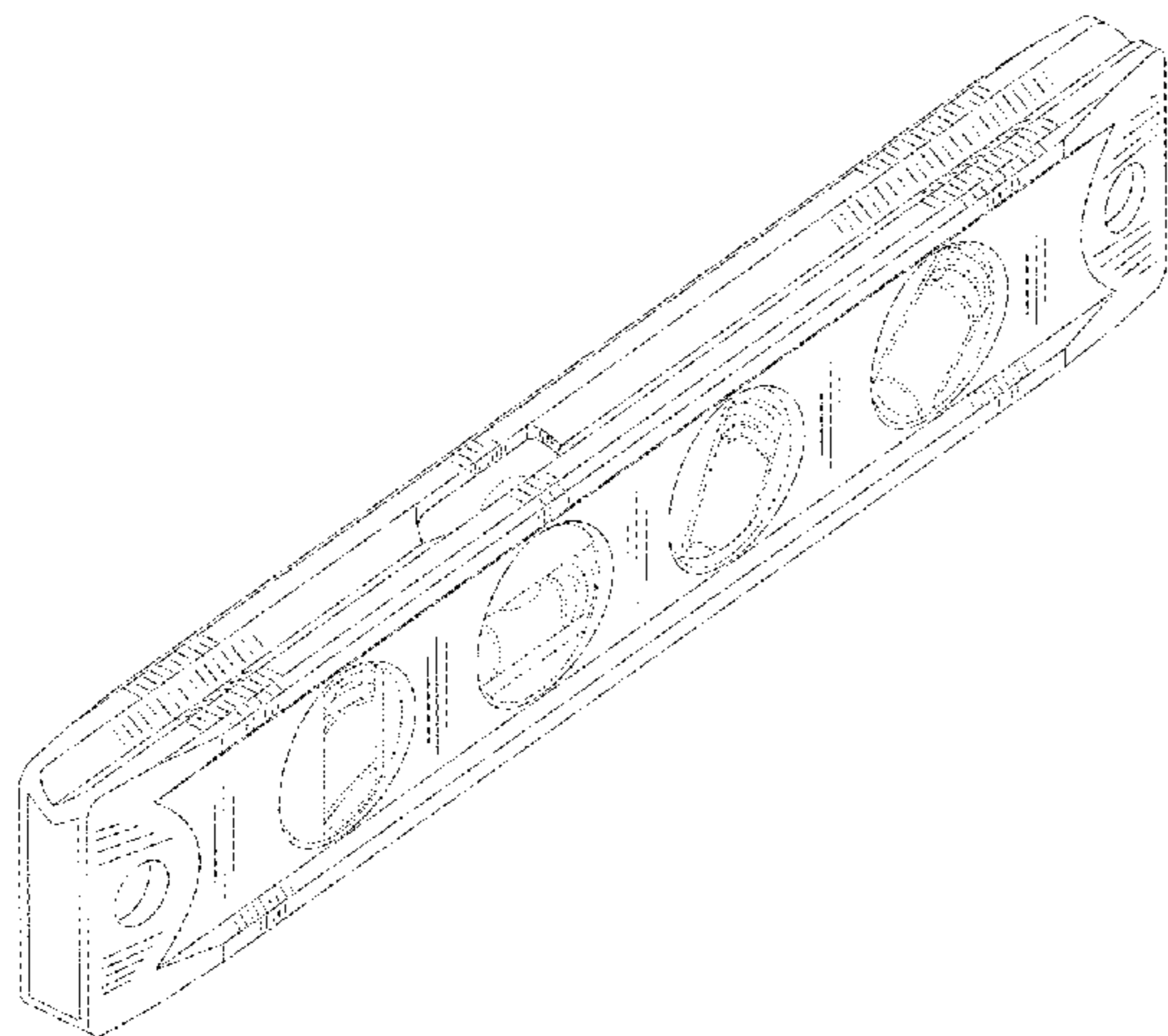
(57) **CLAIM**

The ornamental design for a spirit level, as shown and described.

**DESCRIPTION**

FIG. 1 is a front elevational view of a spirit level showing my new design;  
FIG. 2 is a rear elevational view thereof;  
FIG. 3 is a left side view thereof;  
FIG. 4 is a right side view thereof;  
FIG. 5 is a top plan view thereof;  
FIG. 6 is a bottom plan view thereof;  
FIG. 7 is a first perspective view thereof; and,  
FIG. 8 is a second perspective view thereof.  
The broken lines are for illustrative purposes only and form no part of the claimed design.

**1 Claim, 8 Drawing Sheets**



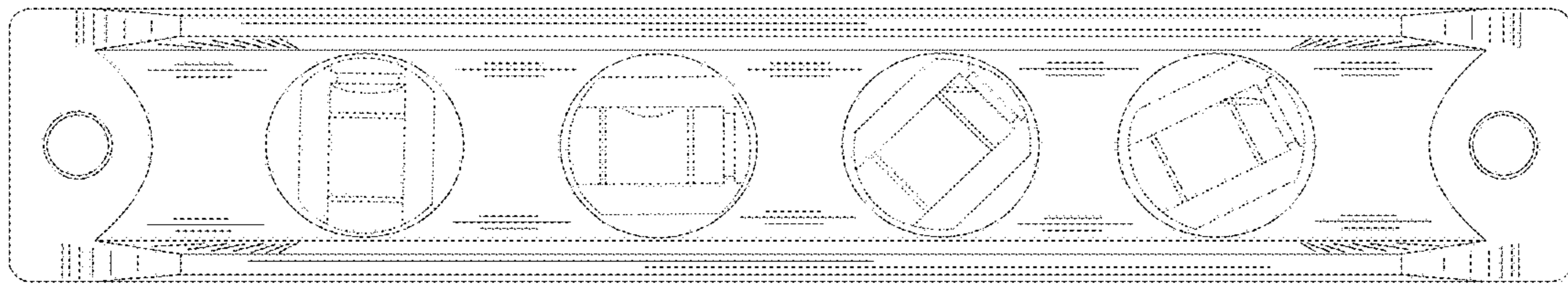


Fig. 1

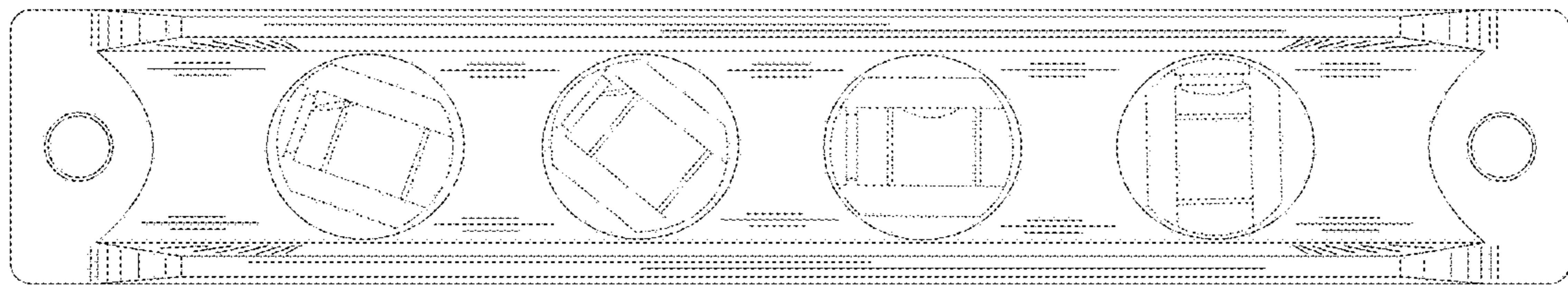


Fig. 2

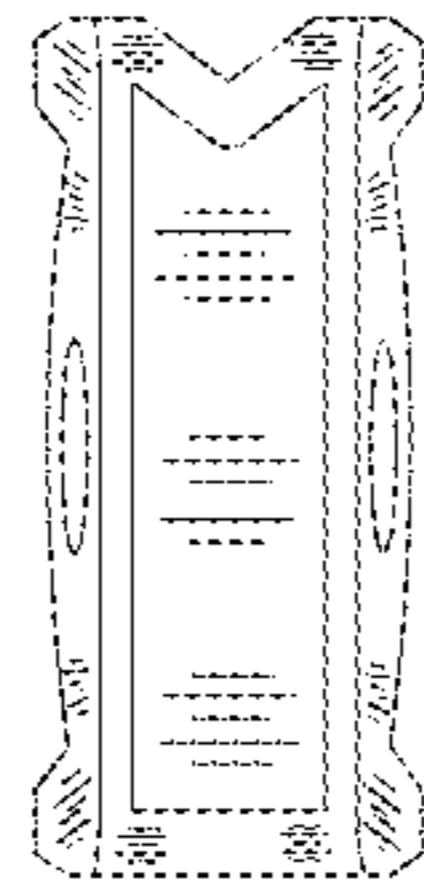


Fig. 3

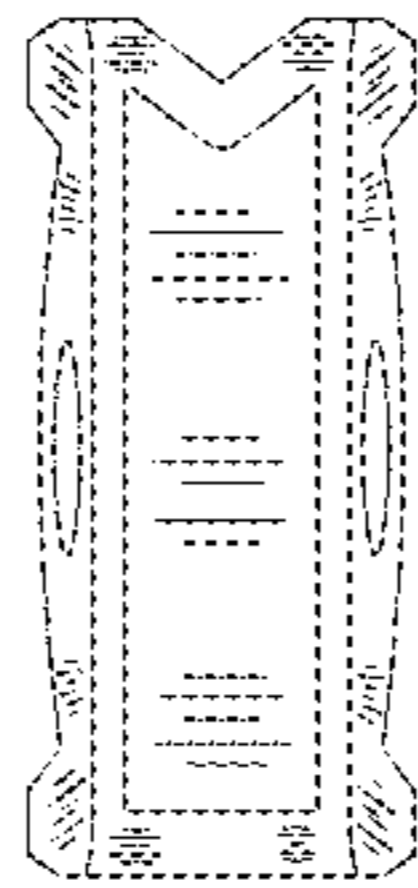


Fig. 4

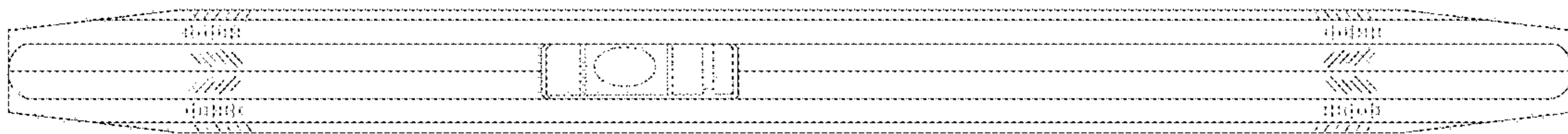


Fig. 5

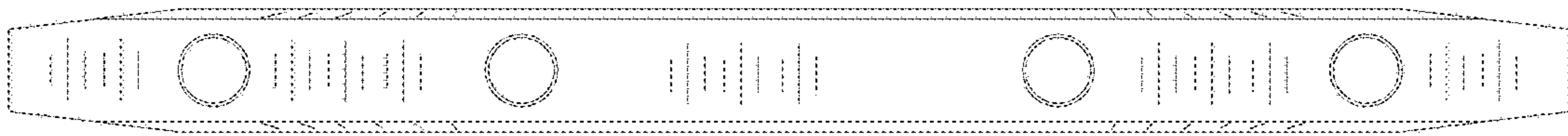


Fig. 6

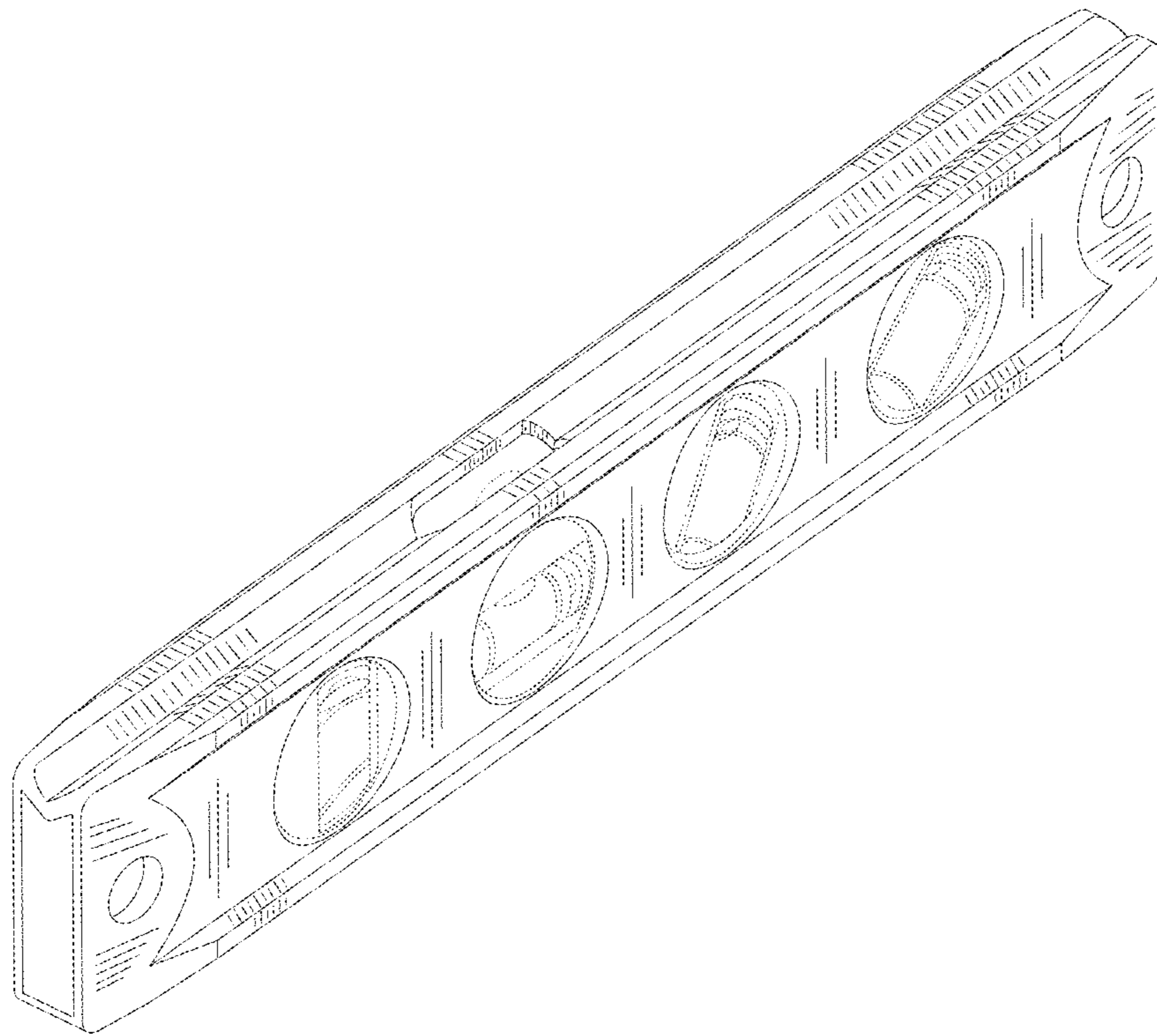


Fig. 7



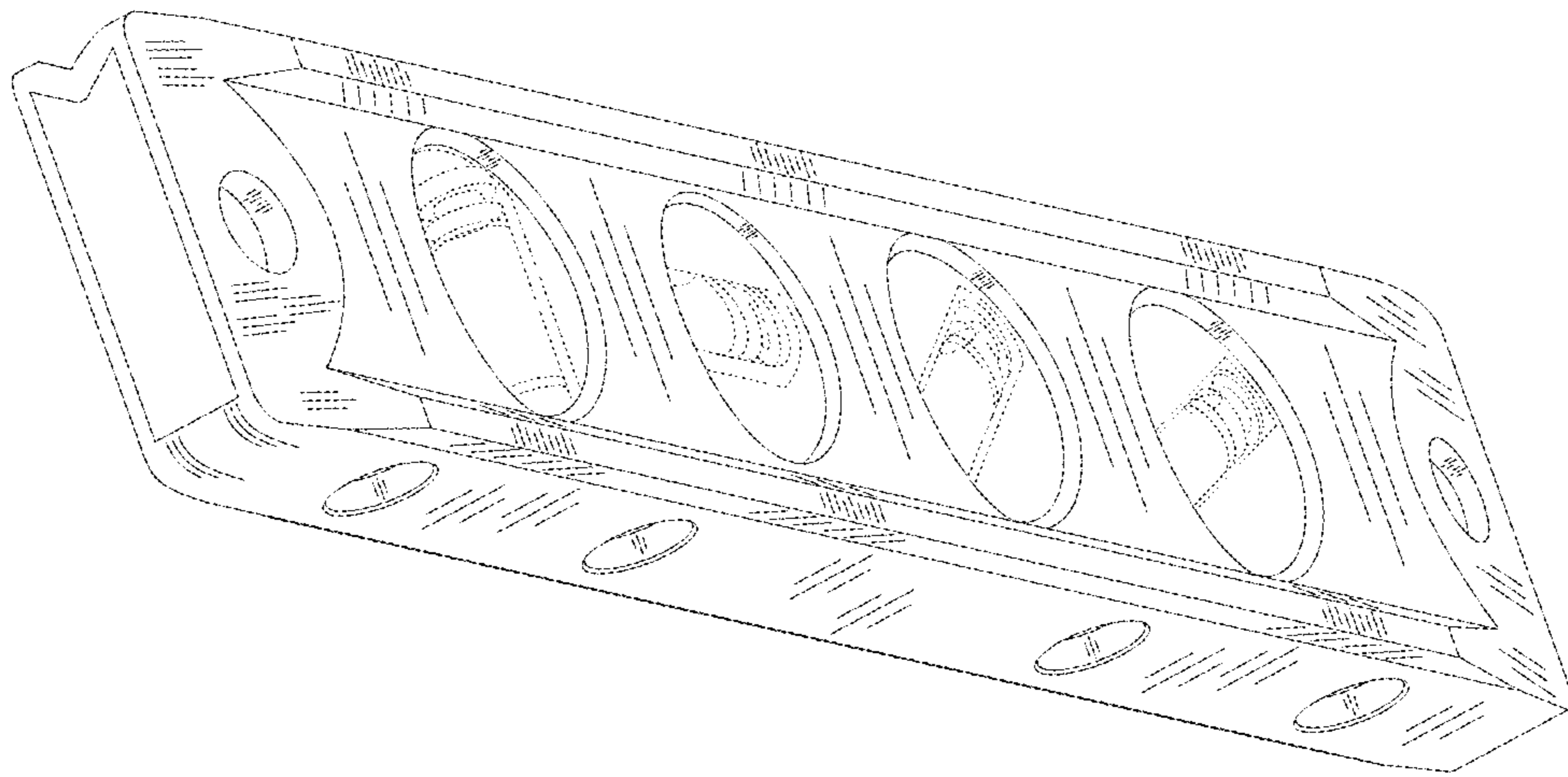


Fig. 8